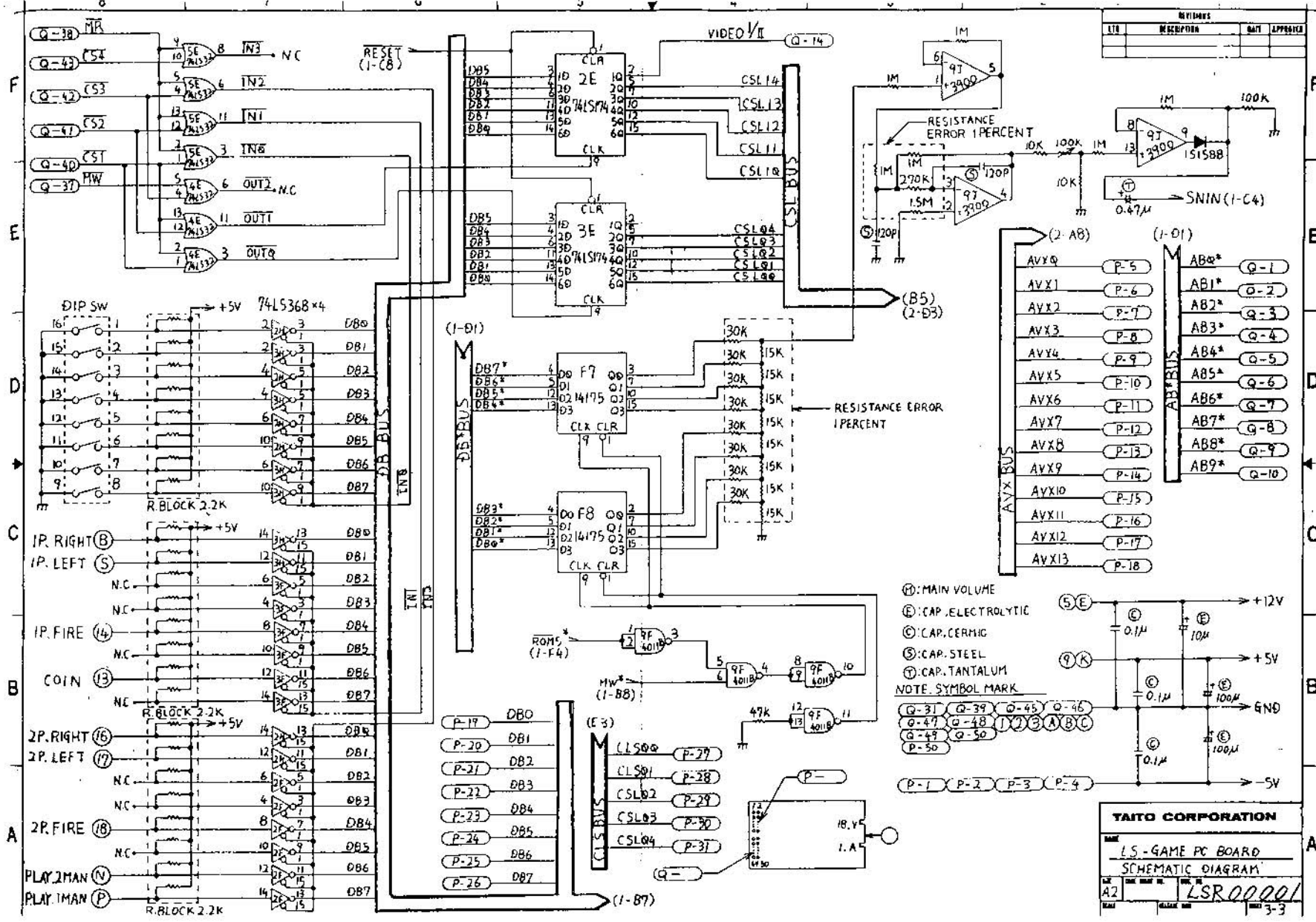
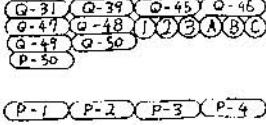


TAITO CORPORATION			
MODEL	LS-GAME PC BOARD		
SCHEMATIC DIAGRAM			
REV.	DATE	DESIGNED BY	CHK'D BY
A7		ZSR00001	
SCALE	SHEET NO.	TOTAL SHEETS	REV.
		3-2	



REVISES			
LT#	DESCRIPTION	DATE	APPROVED

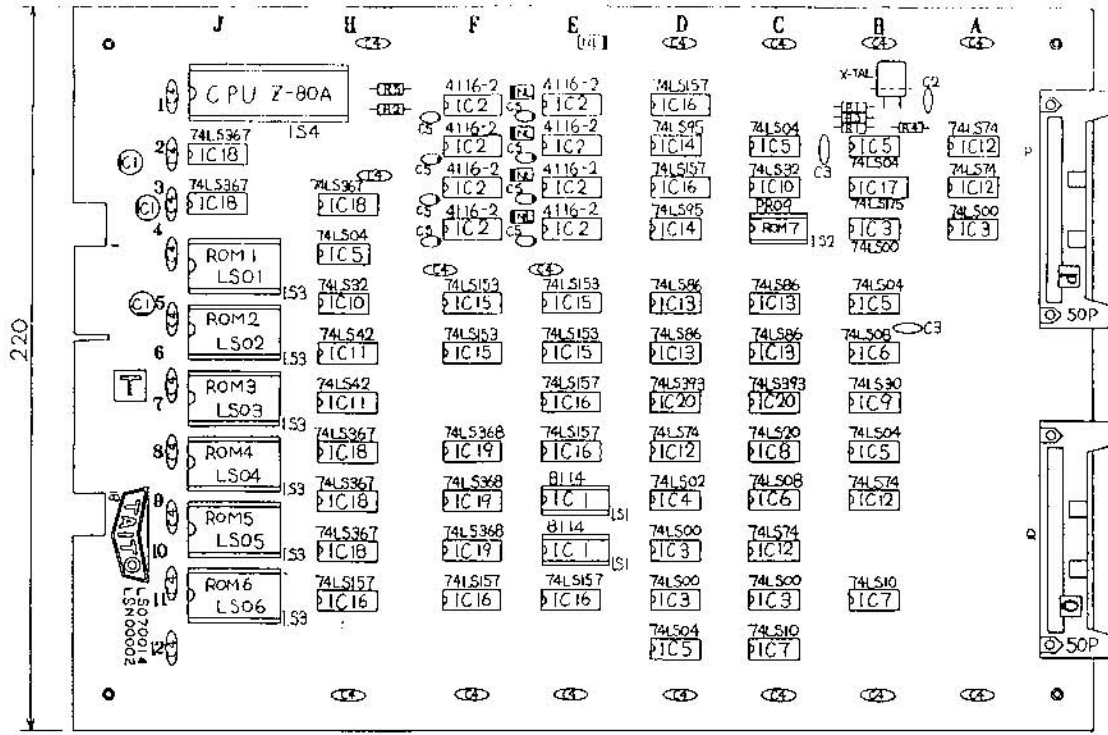
- Ⓜ: MAIN VOLUME
- ⓔ: CAP. ELECTROLYTIC
- ⓐ: CAP. CERMIC
- Ⓢ: CAP. STEEL
- Ⓣ: CAP. TANTALUM
- NOTE: SYMBOL MARK



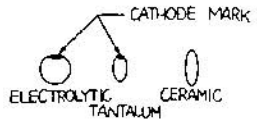
TAITO CORPORATION

NAME: L5-GAME PC BOARD
 SCHEMATIC DIAGRAM

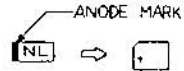
A2 LSR00001
 3-3



220



NOTE 1 CAP.



NOTE 2 NOISE LIMIT

AS TO IC 74LS30, 74LS32, 74LS367, LS-TYPE IC'S ARE USED BUT THEY CAN BE REPLACED WITH THE STANDARD-TYPE IC'S.
NOTE 3 IC 74LS30, 74LS32, 74LS367

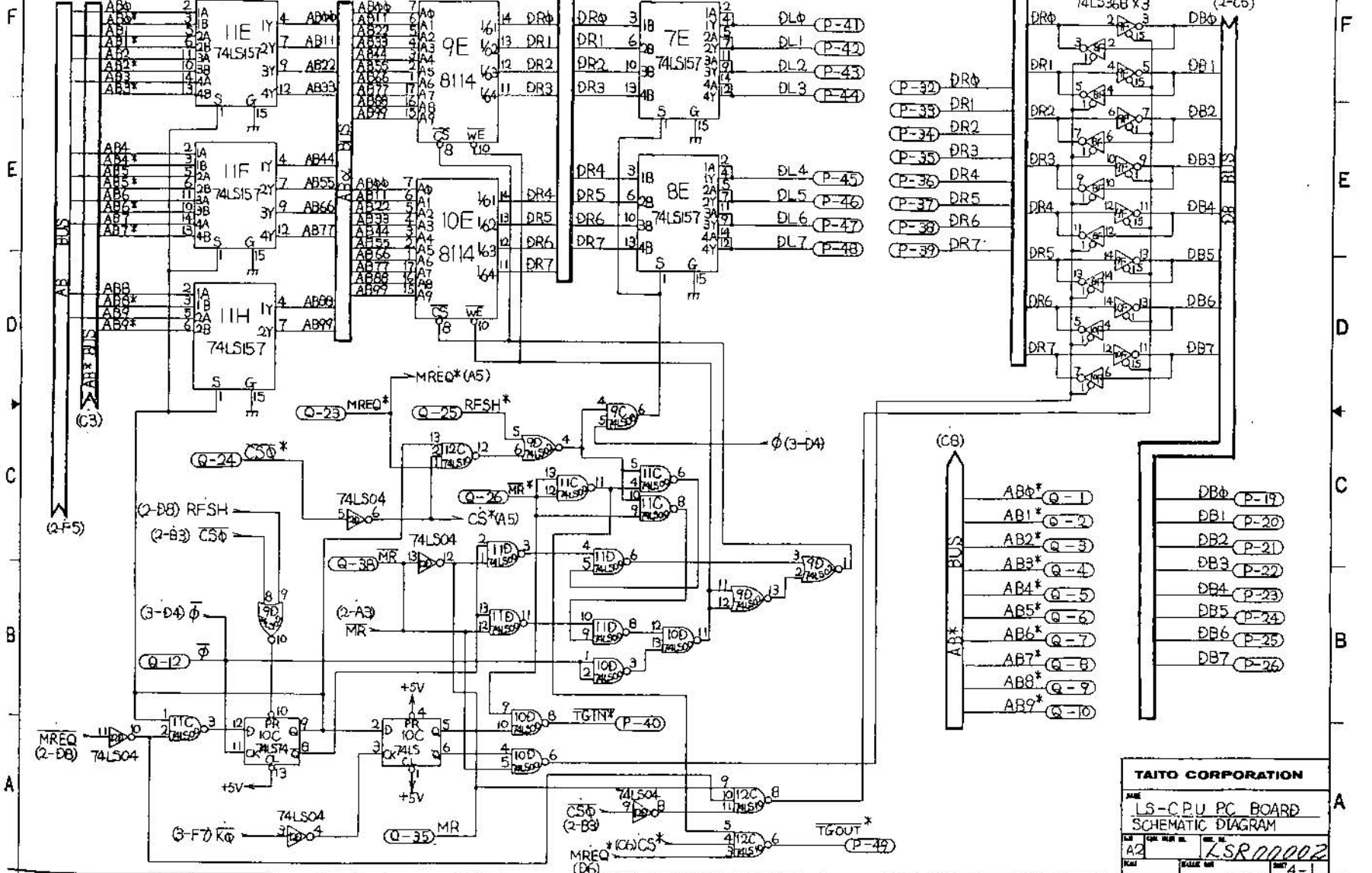
USING LANGUAGE	ADDRESS NO.	ROM NO.	ROM PART NO.
ENGLISH	910J	LS05	LS090005
SPANISH	910J	LS11	LS090012

X MARK ROM CONVERSION FOR FOREIGN LANGUAGES

REV	DATE	DESCRIPTION
1		
2		
3		
4		
5		
6		
7		
8		
9		
10		
11		
12		
13		
14		
15		
16		
17		
18		
19		
20		
21		
22		
23		
24		
25		
26		
27		
28		
29		
30		
31		
32		
33		
34		
35		
36		
37		
38		
39		
40		
41		
42		
43		
44		
45		
46		
47		
48		
49		
50		
51		
52		
53		
54		
55		
56		
57		
58		
59		
60		
61		
62		
63		
64		
65		
66		
67		
68		
69		
70		
71		
72		
73		
74		
75		
76		
77		
78		
79		
80		
81		
82		
83		
84		
85		
86		
87		
88		
89		
90		
91		
92		
93		
94		
95		
96		
97		
98		
99		
100		

TATTO CORPORATION
 LS-CPU PC BOARD ASSY
 168-00028

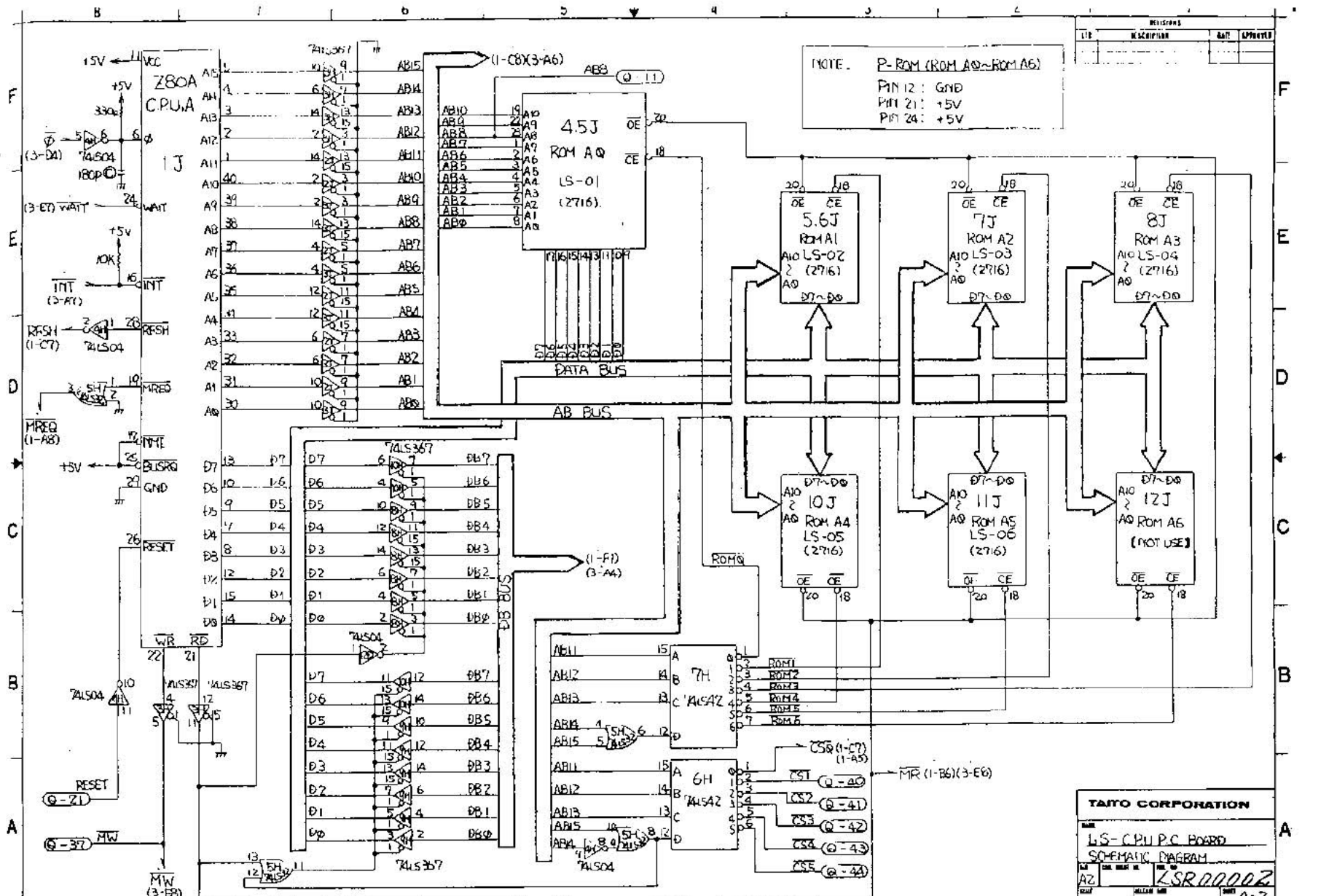
REVISIONS			
LTN	DESCRIPTION	DATE	APPROVED



TAITO CORPORATION

LS-CPU PC BOARD
SCHEMATIC DIAGRAM

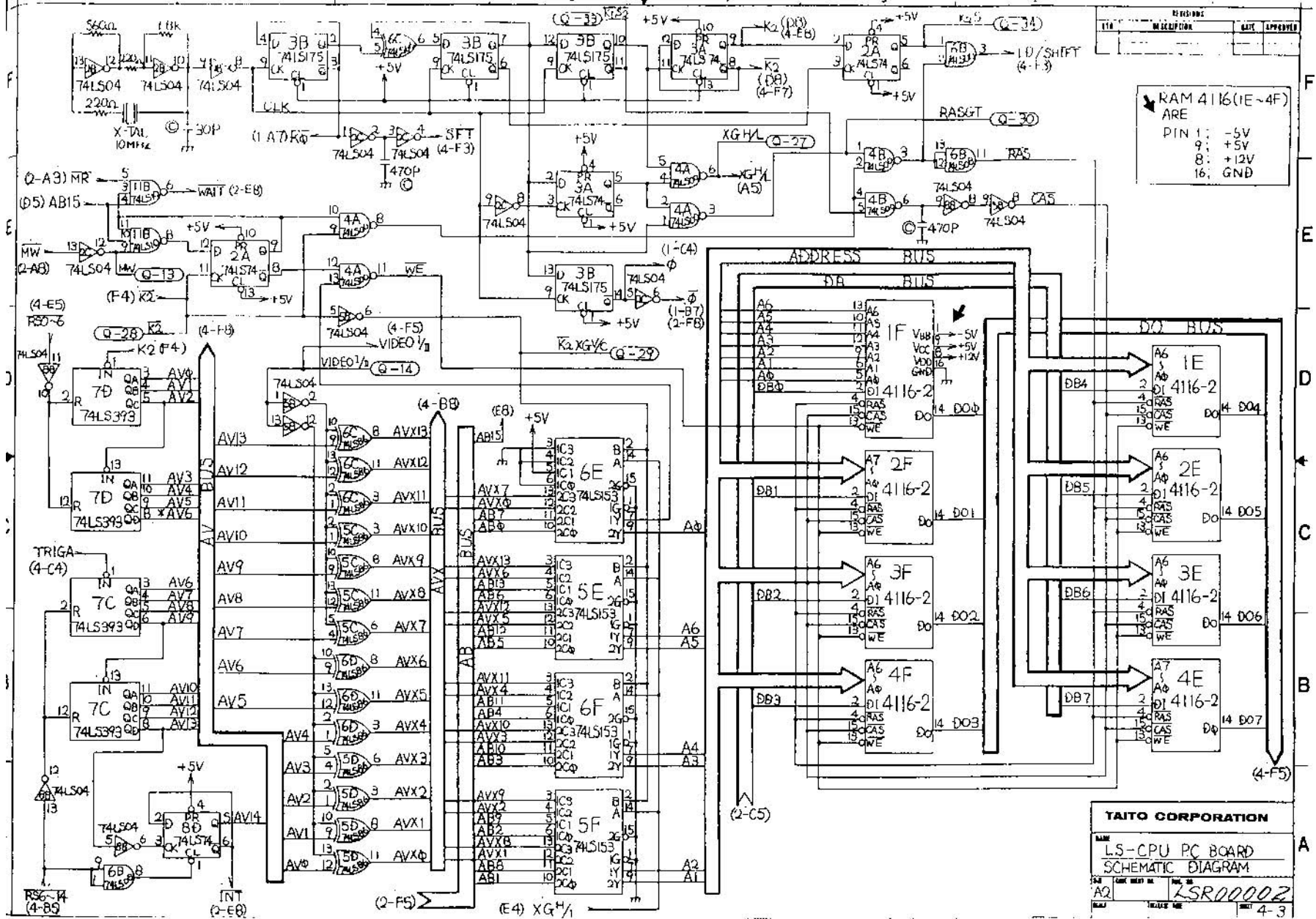
DATE: 1978.12.15
DRAWN: LSR0002
SCALE: 1:1
PAGE: 4-1



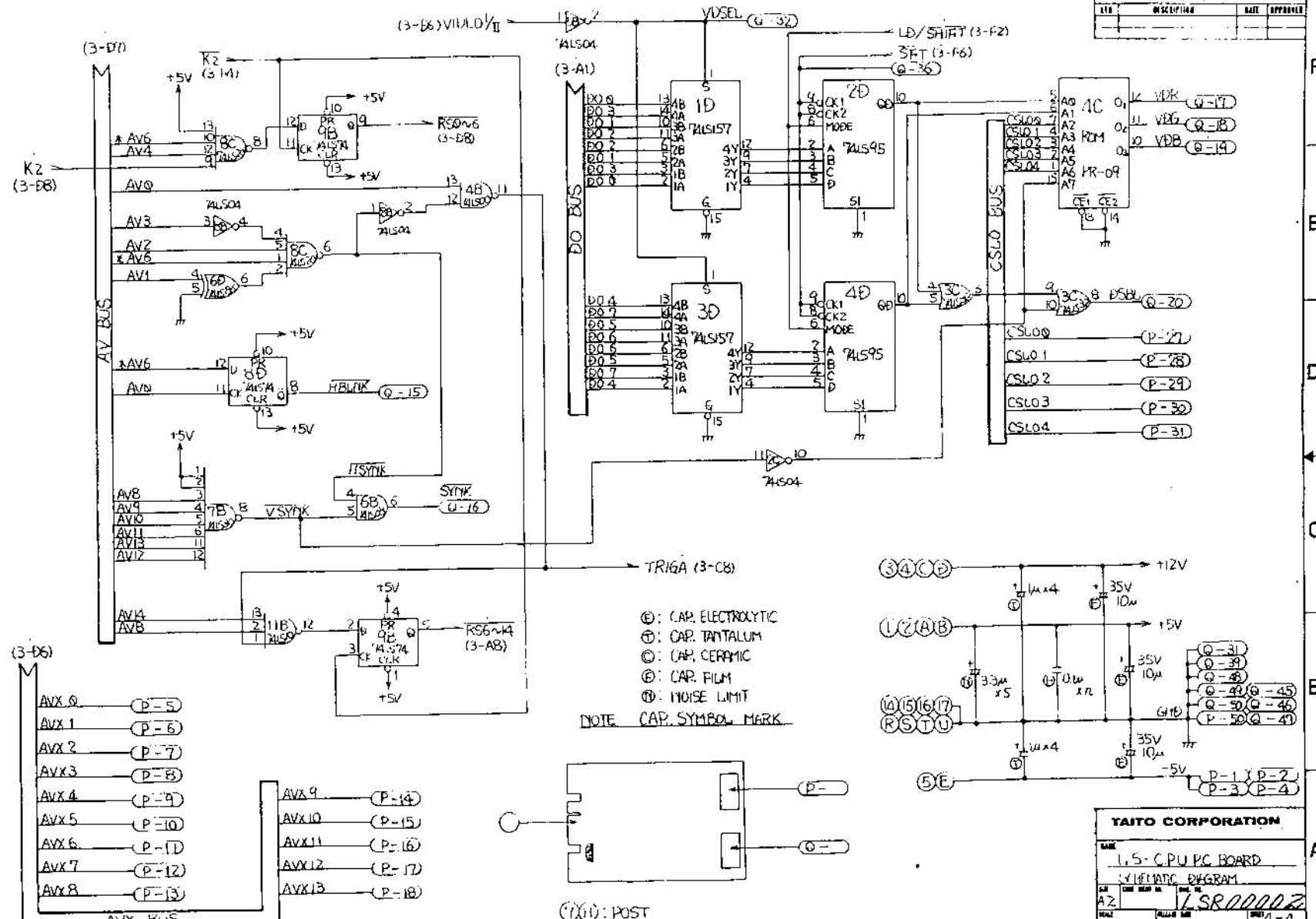
NOTE: P-ROM (ROM A0~ROM A6)
 PIN 12: GND
 PIN 21: +5V
 PIN 24: +5V

REVISIONS			
LT#	DESCRIPTION	DATE	APPROVED

TAITO CORPORATION	
LS-CPU P.C. BOARD	
SCHEMATIC DIAGRAM	
DATE	ZSR0000Z
REV	4-2

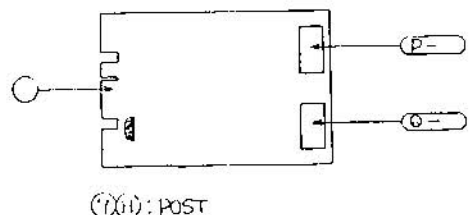
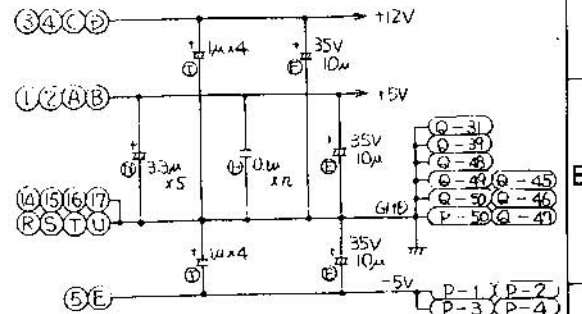


REV.	DESCRIPTION	DATE	APPROVAL

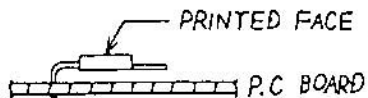
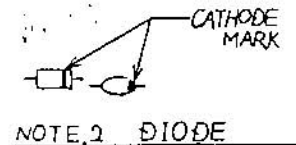
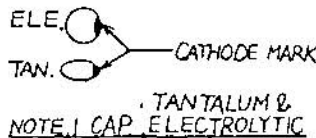
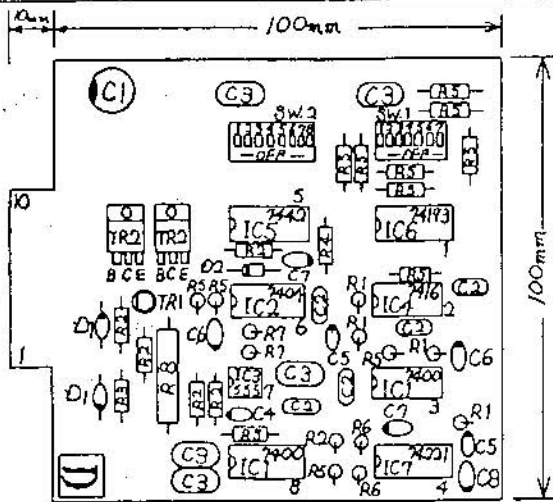


AVX	P
AVX 0	P-5
AVX 1	P-6
AVX 2	P-7
AVX 3	P-8
AVX 4	P-9
AVX 5	P-10
AVX 6	P-11
AVX 7	P-12
AVX 8	P-13
AVX 9	P-14
AVX 10	P-15
AVX 11	P-16
AVX 12	P-17
AVX 13	P-18

⊙: CAP. ELECTROLYTIC
 ⊕: CAP. TANTALUM
 ⊙: CAP. CERAMIC
 ⊖: CAP. FILM
 ⊕: NOISE LIMIT
 NOTE CAP. SYMBOL MARK



TAITO CORPORATION	
DATE	1.5-CPU PC BOARD
REV.	SCHEMATIC DIAGRAM
AZ	LSR00007
REV.	4-4



NOTE.3 TRANSISTOR(2SC458)

NOTE.4 TRANSISTOR(2SC1061)

NOTE.5 THE RELATION BETWEEN COIN AND CREDIT

	SW1							SW2							
	1	2	3	4	5	6	7	1	2	3	4	5	6	7	8
1COIN 1PLAY	ON	ON	ON	ON	ON	OFF	OFF	ON	OFF	OFF	OFF	OFF	OFF	ON	OFF
2COIN 1PLAY	ON	ON	ON	ON	ON	ON	ON	OFF	ON	OFF	ON	ON	ON	ON	ON
3COIN 1PLAY	ON	ON	ON	ON	ON	ON	ON	ON	OFF	ON	ON	ON	ON	ON	ON
4COIN 1PLAY	ON	ON	ON	ON	ON	ON	ON	ON	OFF	OFF	ON	ON	ON	ON	ON
1COIN 2PLAY	ON	OFF	OFF	OFF	OFF	ON	ON	OFF	OFF	OFF	OFF	OFF	OFF	OFF	ON
1COIN 3PLAY	OFF	ON	ON	ON	ON	ON	ON	ON	ON	ON	ON	ON	ON	ON	ON
1COIN 4PLAY	ON	ON	ON	ON	ON	ON	ON	ON	ON	ON	ON	ON	ON	ON	ON

REVISIONS					
LT#	DESCRIPTION	DATE	APPROVED		
31	R8	AAT55033	WINDING RESISTOR, 60HM 2W±10%	1	
30	R7	51831	RES. CARBON, 560KOHM 1/4W±5%	2	
29	R6	51803	↑	39K	2
28	R5	51789	↑	10K	13
27	R4	51781	↑	4.7K	1
26	R3	51777	↑	3.3K	1
25	R2	51765	↑	1K	6
24	R1	51741	RES. CARBON, 100OHM 1/4W±5%	4	
23	C8	41438	CAP. TANTALUM, SSG35-3R3F	1	
22	C7	41421	↑	SSG16-4R7F	2
21	C6	41419	↑	SSG16-2R2F	2
20	C5	41418	↑	SSG16-1F	2
19	C4	41414	CAP. TANTALUM, SSG16-OR22F	1	
18	C3	41244	CAP. FILM TDY-1H-104	5	
17	C2	41238	CAP. FILM TDY-1H-103	5	
16	C1	41021	CAP. ELECTROLYTIC, 16VB47μ	1	
15	IC7	32077	TTL IC 74221	1	
14	IC6	32044	↑	74193	1
13	IC5	32039	↑	7442	1
12	IC4	32033	↑	7416	1
11	IC3	32019	↑	NE555V	1
10	IC2	32003	↓	7404	1
9	IC1	32001	TTL IC 7400	2	
8	D2	12025	DIODE 1S1588	1	
7	D1	12002	DIODE V03C	2	
6	TR2	V17030	TRANSISTOR 2SC1061-B	2	
5	TR1	AAT11005	TRANSISTOR 2SC458-C	1	
4	SW2	AAO52566	DIP SWITCH DSS-8	1	
3	SW1	52560	DIP SWITCH DSS-7	1	
2	D	17623	CONNECTOR STICKER D	1	
1		AAO17766D	CREDIT P.C BOARD	1	

PARTS LIST

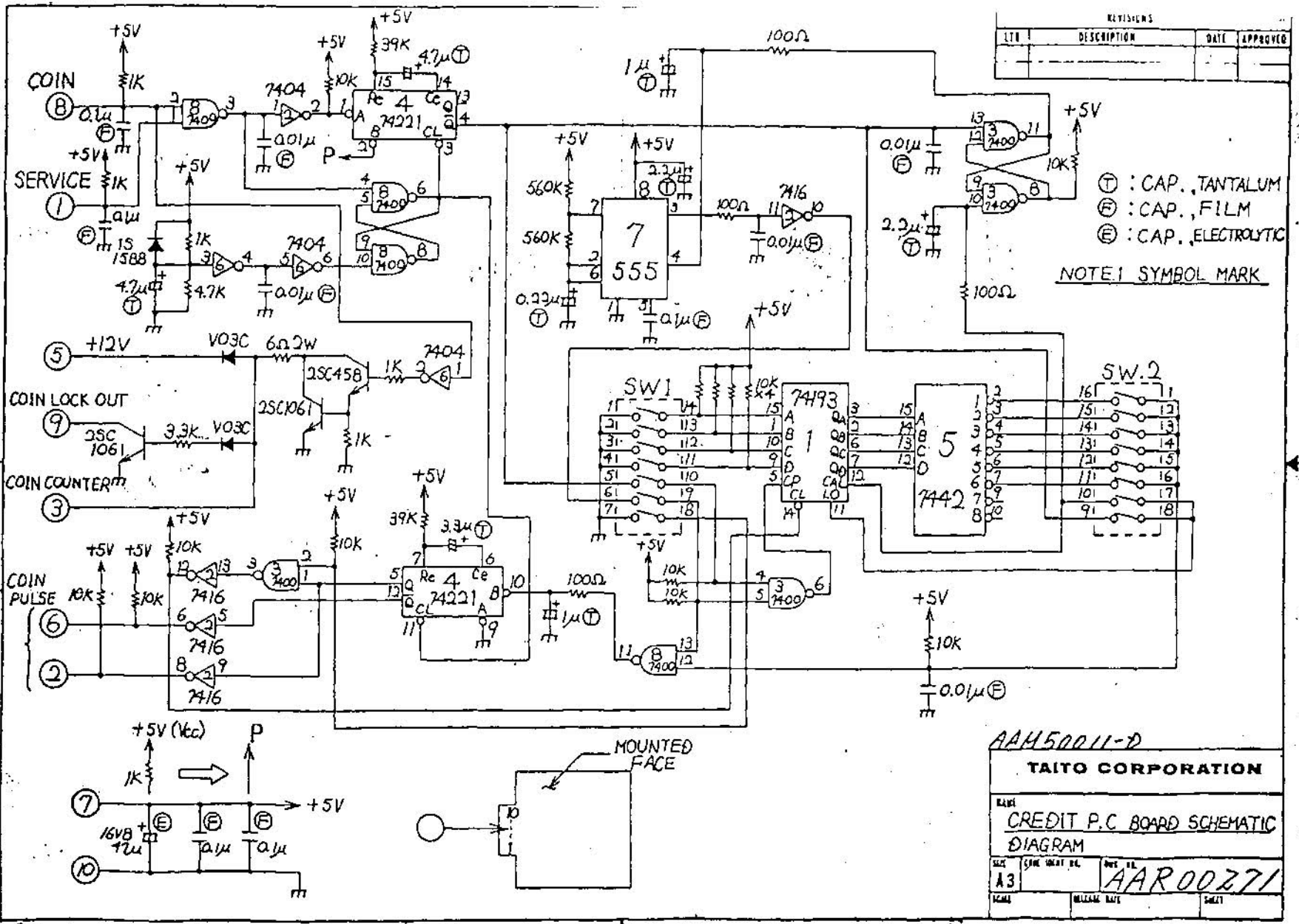
TAITO CORPORATION

NAME
CREDIT P.C BOARD ASSY.

DR A3
SCALE 1/1

FIGURE NO.
AAM50011-D

DATE
RELEASE DATE



REVISIONS			
LT#	DESCRIPTION	DATE	APPROVED

AAH50011-D			
TAITO CORPORATION			
NAME			
CREDIT P.C. BOARD SCHEMATIC			
DIAGRAM			
SIZE	SHEET NO.	REV. NO.	
A3		AAR00271	
SCALE	RELEASE DATE	SHEET	

