

## UNIT DESCRIPTION

## OUTPUT STAGE

## FOR NSM-PHONOGRAPHS

ES IV-CD TECHNOLOGY

to

Technical Information, Assy

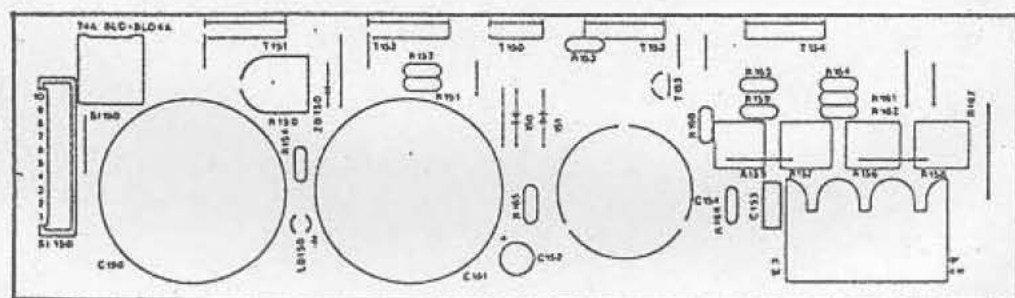
174 903	SILVER CITY
174 831	SILVER SKY
174 486	FASCINATION
175 274	SOUNDMASTER
175 040	FIREBIRD/COUNTRY
176 046	THE PERFORMER "GRAND"

## Output Stage

The output stage is designed without induction coils or transformer and is therefore ironless. At full volume the music power is 200 W per channel when connected to a 2-ohm loudspeaker impedance.

Functions such as power supply, signal path and settings as well as repair aids are described in detail in the unit description "CENTRAL UNIT".

## SPARE PARTS LIST



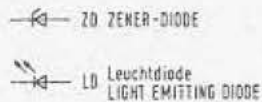
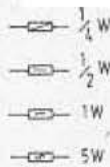
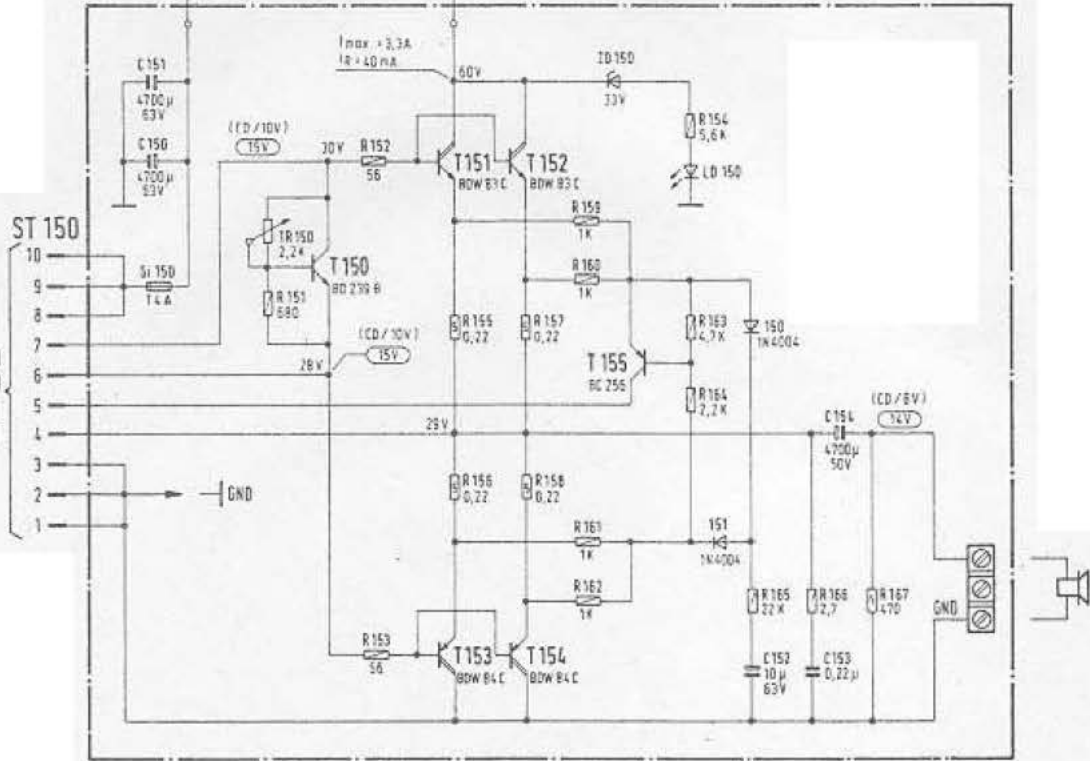
# SPARE PARTS LIST

POS.	PART-No.	DESCRIPTION	DATA	QTY
	171 701	<u>OUTPUT STAGE, ASSY</u>	<u>50 Hz</u>	1
SI 150	225 036	FUSE	T 4 A slo blo	1
	225 747	CAP		1
	171 702	<u>OUTPUT STAGE, ASSY</u>	<u>60 Hz</u>	1
SI 150	225 542	FUSE	T 4 A slo blo	1
	225 748	CAP		1
	171 696	CHASSIS		1
	171 881	VENTILATOR, ASSY		1
	171 699	AIR VANE		1
	222 485	TEMPERATURE CONTROLLER		1
		<u>CB - OUTPUT STAGE</u>		1
ST 150	225 422	TERMINAL BOARD	3 prongs	1
	225 654	PIN PANEL	black 10 prongs	1
	225 746	FUSE HOLDER		2
D 150, 151	221 115	SI-DIODE	1 N 4004	2
ZD 150	221 650	SI-ZENER-DIODE	ZPD 33	1
LD 150	221 466	LIGHT EMITTING DIODE	CQY 65	1
T 150	221 883	SI-TRANSISTOR	NPN BD 239 B	1
T 155	221 459	SI-TRANSISTOR	PNP BD 256	1
T 151, 152	221 886	DARLINGTON-TRANSISTOR	NPN BDW 83 C	2
T 153, 154	221 902	DARLINGTON-TRANSISTOR	PDP BDW 84 C	2
C 153	220 333	MET.-CAPACITOR	0,22 $\mu$ F 63 V	1
C 152	220 162	LYTIC	10 $\mu$ F 63 V	1
C 154	220 396	LYTIC	4700 $\mu$ F 50 V	1
C 150, 151	220 436	LYTIC	4700 $\mu$ F 63 V	2
R 166	221 094	RESISTOR	2,7 $\Omega$ $\frac{1}{2}$ W	1
R 152, 153	221 096	RESISTOR	56 $\Omega$ $\frac{1}{2}$ W	2
R 151	231 154	RESISTOR	750 $\Omega$ $\frac{1}{2}$ W	1
R 159-162	221 029	RESISTOR	1 K $\Omega$ $\frac{1}{2}$ W	4
R 164	221 032	RESISTOR	2,7 K $\Omega$ $\frac{1}{2}$ W	1
R 163	221 034	RESISTOR	4,7 K $\Omega$ $\frac{1}{2}$ W	1
R 154	221 625	RESISTOR	5,6 K $\Omega$ $\frac{1}{2}$ W	1
R 165	221 604	RESISTOR	22 K $\Omega$ $\frac{1}{2}$ W	1
R 167	221 267	WIRE WOUND RESISTOR	470 $\Omega$ 1 W	1
R 155-158	221 275	WIRE WOUND RESISTOR	0,22 $\Omega$ 7 W	4
R 150	221 305	TRIMMER RESISTOR	2,2 K $\Omega$ 0,1 W	1

Thermoschalter  
TEMPERATURE SWITCH



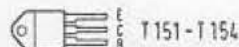
CENTRALE  
linker Kanal Stecker ST 210  
LEFT CHANNEL PLUG ST 210  
rechter Kanal Stecker ST 211  
RIGHT CHANNEL PLUG ST 211



XF-Pegel bei 1 kHz, Lautstärkesteller auf max.  
Höhen und Bässe max., ohne (CD/mit) AVC gemessen mit elektron. Voltmeter.  
Gleichspannung gemessen mit Voltmeter  $R_i = 10 \text{ M}\Omega$

AC SIGNAL VOLTAGES AT 1000 cps, VOLUME CONTROL TO MAX. TREBLES AND  
BASSES MAX., WITHOUT (CD/WITH) AVC MEASURED WITH ELECTRONIC VOLTMETER.  
DC VOLTAGES MEASURED WITH VOLTMETER  $R_i = 10 \text{ MEG OHMS}$

Draufsicht  
TOP VIEW



von unten gesehen  
BOTTOM VIEW



MUSIKAUTOMATEN  
PHONOGRAPHS

ES IV-CD TECHNOLOGY

Schaltbild Endstufe  
WIRING DIAGRAM OUTPUT STAGE

Dat.	Des.	Erst.	Rev.
27 01 89	Braun		