

# UNIT DESCRIPTION

## OUTPUT STAGE

### FOR NSM-PHONOGRAPHS

ES V-CD TECHNOLOGY

to  
Technical Information, ASSY

176 393	THE PERFORMER GRAND II
176 352	THE WIZARD/ OLD FASHION WIZARD
176 514	THE PERFORMER CLASSIC
176 610	CD HIDE-AWAY II
176 598	FIREBIRD II
176 705	THE PERFORMER WALL

---

## NSM

Aktiengesellschaft  
Saarlandstraße 240  
55411 Bingen am Rhein

## 7

Page 701-704

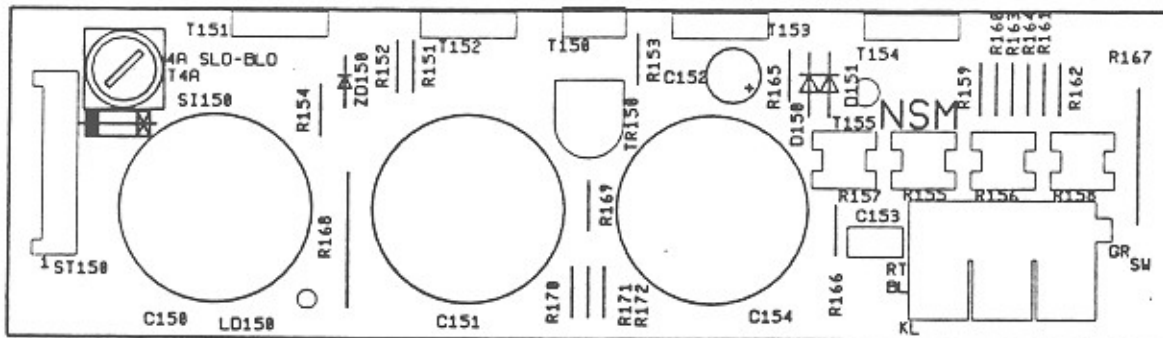
---

# Output Stage

The output stage is designed without induction coils or transformer and is therefore ironless. At full volume the music power is 200 W per channel when connected to a 2-ohm loudspeaker impedance.

Functions such as power supply, signal path and settings as well as repair aids are described in detail in the unit description "CENTRAL UNIT".

## SPARE PARTS LIST

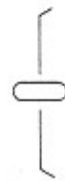
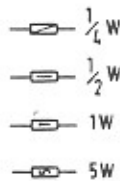
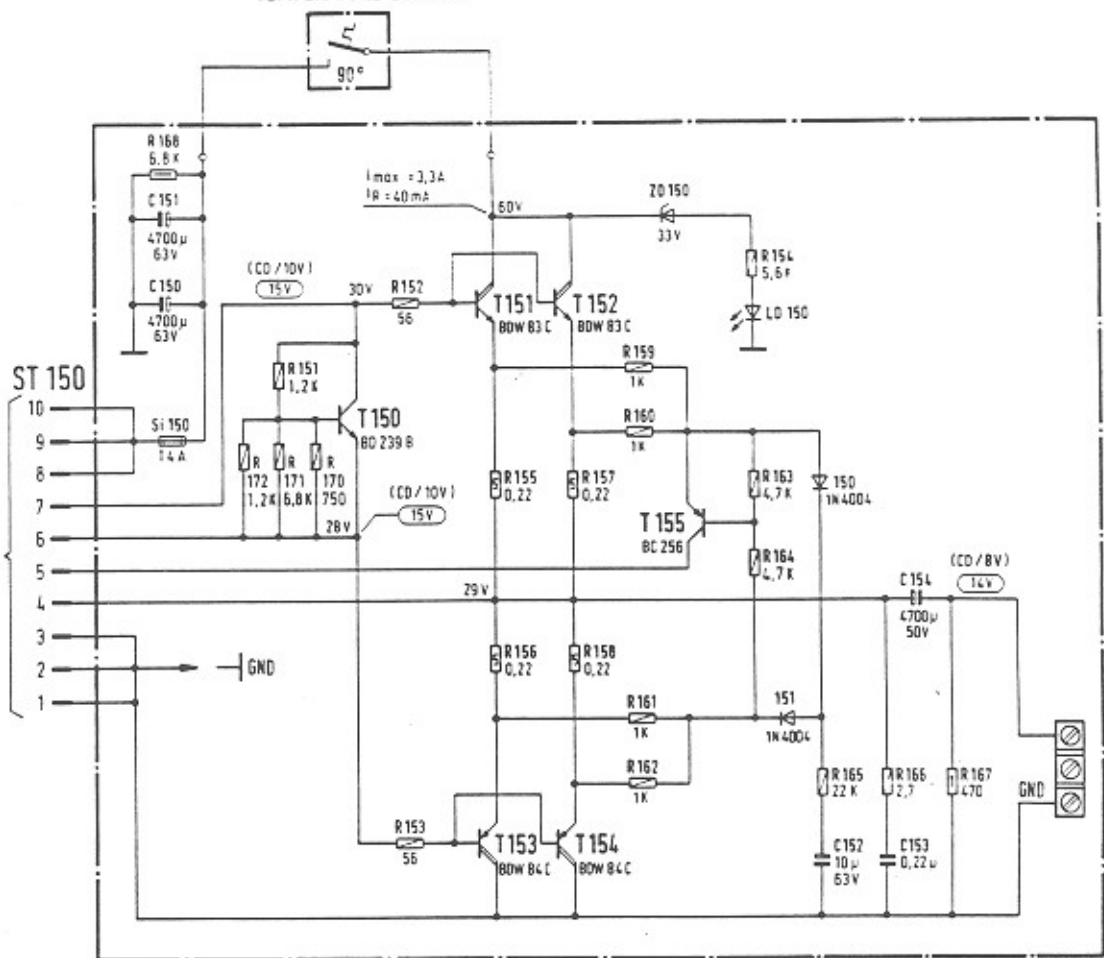


# SPARE PARTS LIST

POS.	PART-No.	DESCRIPTION	DATA	QTY
	<b>171 701</b>	<b><u>OUTPUT STAGE, ASSY</u></b>	<b>50 Hz</b>	<b>1</b>
Si 150	225 036	FUSE	T 4 A träge	1
	225 747	CAP		1
	171 696	CHASSIS		1
	171 881	VENTILATOR, ASSY		1
	171 699	AIR VANE		1
	222 485	TEMPERATURE CONTROLLER		1
	171 704	CLAMP, STAMPED		2
	171 758	HOLDER		2
	250 177	COOLING PLATE		2
	171 759	COVER		2
		<b><u>CB-OUTPUT STAGE</u></b>		
	225 422	TERMINAL BAR	3 prongs	1
ST 150	225 654	PIN PANEL	10 prongs	sw 1
	225 746	FUSE HOLDER		2
D150,151	221 115	SI-DIODE	1 N 4004	2
ZD 150	221 650	SI-ZENER-DIODE	ZPD 33	1
LD 150	221 466	LUMINESZENZ-DIODE	CQY 65	1
T 150	221 883	SI-TRANSISTOR	NPN BD 239 B	1
T 155	221 459	SI-TRANSISTOR	PNP BD 256	1
T151,152	221 886	DARLINGTON-TRANSISTOR	NPN BDW 83 C	2
T153,154	221 902	DARLINGTON-TRANSISTOR	PDP BDW 84 C	2
C 153	220 333	MET.-CAPACITOR	0,22 µF	63 V 1
C 152	220 162	LYTIC	10 µF	63 V 1
C 154	220 396	LYTIC	4700 µF	50 V 1
C150,151	220 436	LYTIC	4700 µF	63 V 2
R 166	221 094	RESISTOR	2,7 Ohm	1/4 W 1
R152,153	221 096	RESISTOR	56 Ohm	1/4 W 2
R 170	231 154	RESISTOR	750 Ohm	1/4 W 1
R159-162	221 029	RESISTOR	1 KOhm	1/4 W 4
R163,164	221 034	RESISTOR	4,7 KOhm	1/4 W 2
R 154	221 625	RESISTOR	5,6 KOhm	1/4 W 1
R 165	221 604	RESISTOR	22 KOhm	1/4 W 1
R168,171	231 232	RESISTOR	6,8 KOhm	1/2 W 2
R151,172	221 627	RESISTOR	1,2 KOhm	1/4 W 1
R 167	221 276	WIRE WOUND RESISTOR	470 Ohm	1 W 1
R155-158	221 275	WIRE WOUND RESISTOR	0,22 Ohm	7 W 4

Thermoschalter  
TEMPERATURE SWITCH

CENTRALE  
linker Kanal Stecker ST 8  
LEFT CHANNEL PLUG ST 8  
rechter Kanal Stecker ST 9  
RIGHT CHANNEL PLUG ST 9



NF-Pegel bei 1 KHz, Lautstärkesteller auf max.  
Höhen und Bässe max., ohne (CD/mit) AVC gemessen mit elektron. Voltmeter.  
Gleichspannung gemessen mit Voltmeter Ri = 10 MΩ

AC SIGNAL VOLTAGES AT 1000 cps, VOLUME CONTROL TO MAX. TREBLES AND  
BASSES MAX., WITHOUT (CD/ WITH) AVC MEASURED WITH ELECTRONIC VOLTMETER  
DC VOLTAGES MEASURED WITH VOLTMETER Ri = 10 MEG OHMS.

Draufsicht  
TOP VIEW



von unten gesehen  
BOTTOM VIEW



Alle Sicherungen träge!  
ALL FUSES SLO BLO!

Sicherungen nur durch solche mit gleichen Werten ersetzen!  
REPLACE FUSES ONLY BY THOSE OF THE SAME VALUE!

ÄNDERUNGEN IM SINNE DES TECHN. FORTSCHRITTES VORBEHALTEN,  
JEDOCH KEINE NACHRÜSTPFLICHT!

SUBJECT TO TECHNICAL MODIFICATION WITHOUT OBLIGATION  
TO MODIFY EQUIPMENT ALREADY DELIVERED!

NSM MUSIKAUTOMATEN ES V-CD TECHNOLOGY  
PHONOGRAPHS

Schaltbild Endstufe  
WIRING DIAGRAM OUTPUT STAGE

Dat.	29.06.93	Gez.	Braun	Beort.	Winn	Gepr.	Manold
------	----------	------	-------	--------	------	-------	--------

176 393 / 176 352 / 176 514 / 176 610 / 176 598 / 176 705