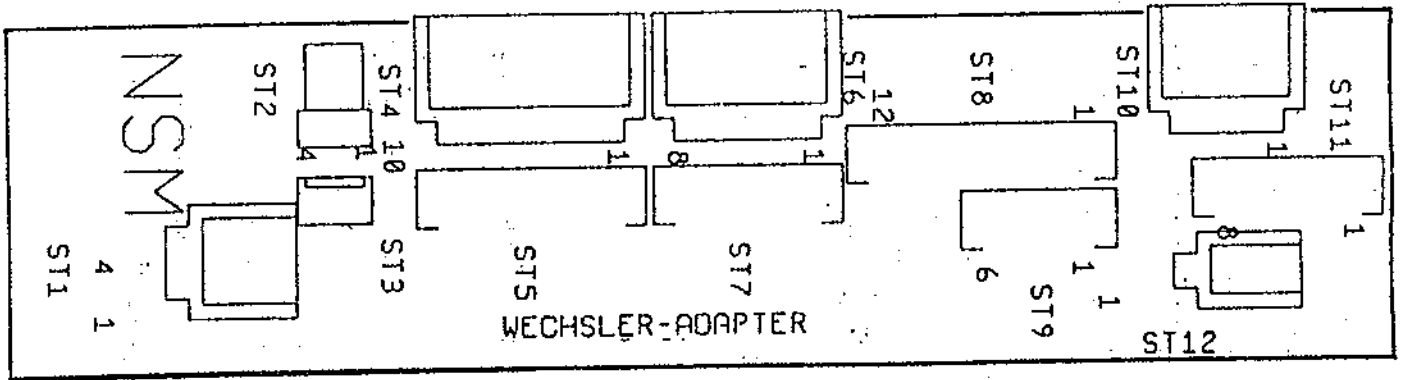


POS.	PART-No.	DESCRIPTION	DATA	QTY
	173 665	<u>CB-PICK UP DRIVER, ASSY</u>		1
ST 08	225 392	PIN PLUG	2 prongs 90°	1
ST 03	225 912	PIN PLUG	14 prongs	1
ST 07	225 650	PIN PANEL	2 prongs	1
ST 05	225 850	PIN PANEL	5 prongs	1
ST 02	225 653	PIN PANEL	8 prongs	1
ST 01	225 654	PIN PANEL	10 prongs	1
ST 04	225 655	PIN PANEL	12 prongs	1
Q 1	221 535	OSCILLATOR QUARTZ	4 MHZ	1
	222 447	IC-SOCKET	28 prongs	1
IC 8	231 409	IC-MICROCOMPUTER	T 018 MAB 8441	1
IC 6	231 303	IC-LINEAR	L 298	1
IC 3, 4	221 771	IC-CMOS	HEF 4094 B	2
IC 1, 2	221 763	IC-CMOS	HEF 4021 B	2
D14-16, 17	221 114	SI-DIODE	1 N 4148	4
D 2-13	221 822	SI-DIODE	BA 157	12
D 18, 19	221 115	SI-DIODE	1 N 4004	2
ZD 1, 2	231 326	ZENER-DIODE	ZY 24	2
T 11, 14	221 283	SI-TRANSISTOR	BC 212 B	2
T 6-9, 12	221 757	SI-TRANSISTOR	BC 547 B	5
T 2-5	221 777	SI-TRANSISTOR	BD 679	4
T 10	231 150	SI-TRANSISTOR	TIP 130	1
C 19, 20	220 266	CER.-CAPACITOR	27 pF	2
C 12	220 342	CER.-CAPACITOR	100 pF	1
C 5-8, 22	220 334	MKT-CAPACITOR	0,1 µF 63 V	5
C 4	220 332	MKT-CAPACITOR	0,33 µF 63 V	1
C 21	220 249	LYTIC	1 µF 63 V	1
C 18	220 389	LYTIC	47 µF 10 V	1
C 3	220 160	LYTIC	100 µF 10 V	1
C 2	220 391	LYTIC	220 µF 25 V	1
C 1	220 165	LYTIC	470 µF 40 V	1
R 64	221 606	RESISTOR	47 Ω ½ W	1
R 25, 54	221 600	RESISTOR	100 Ω ½ W	2
R 35	221 632	RESISTOR	160 Ω ½ W	1
R 37-40	221 614	RESISTOR	330 Ω ½ W	4
R 56, 67	221 099	RESISTOR	470 Ω ½ W	2
R 45, 49	221 029	RESISTOR	1 kΩ ½ W	2
R 27-29	221 033	RESISTOR	3,3 kΩ ½ W	3
R 46, 47	221 034	RESISTOR	4,7 kΩ ½ W	2
R 26, 41-44,				>
68, 69	221 035	RESISTOR	10 kΩ ½ W	7
R 5-12	221 603	RESISTOR	12 kΩ ½ W	8
R 13-20, 55	221 036	RESISTOR	15 kΩ ½ W	9
R 21-23,				>
59-63	221 604	RESISTOR	22 kΩ ½ W	8
R 24	221 048	RESISTOR	100 kΩ ½ W	1
R 48	221 009	RESISTOR	1 MΩ ½ W	1
R 3	221 392	RESISTOR	390 Ω ½ W	1
R1, 36, 65	221 692	WIRE WOUND RESISTOR	1 Ω 1 W	3
R 66	231 418	WIRE WOUND RESISTOR	2,7 Ω 1 W	1

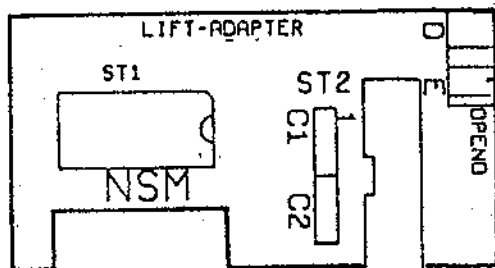
SPARE PARTS LIST

POS.	PART-No.	DESCRIPTION	DATA	QTY
	173 508	<u>CB-CHANGER ADAPTER, ASSY</u>		1
ST 3	225 418	PIN PLUG	4 prongs	1
ST 2	225 412	PIN PLUG	4 prongs 90°	1
ST 12	225 660	PIN PANEL	2 prongs 90°	1
ST 1	225 661	PIN PANEL	4 prongs 90°	1
ST 9	225 652	PIN PANEL	6 prongs	1
ST 10	225 662	PIN PANEL	6 prongs 90°	1
ST 7, 11	225 653	PIN PANEL	8 prongs	2
ST 6	225 663	PIN PANEL	8 prongs 90°	1
ST 5	225 654	PIN PANEL	10 prongs	1
ST 4	225 664	PIN PANEL	10 prongs 90°	1
ST 8	225 655	PIN PANEL	12 prongs	1



SPARE PARTS LIST

POS.	PART-No.	DESCRIPTION	DATA	QTY
	173 510	<u>CB-LIFT ADAPTER, ASSY</u>		1
ST 2	225 892	PLUG	14 prongs	1
ST 1	222 445	IC-SOCKET	16 prongs	1
OPEND	231 322	OPTO-COUPLER	LTH-301	1



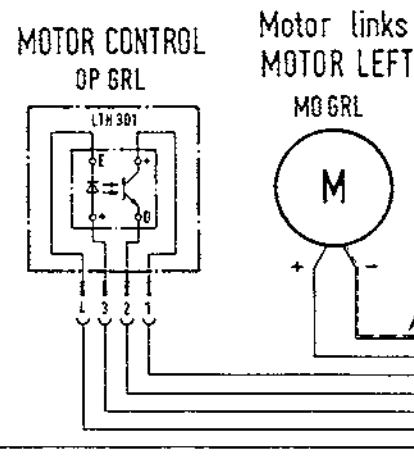
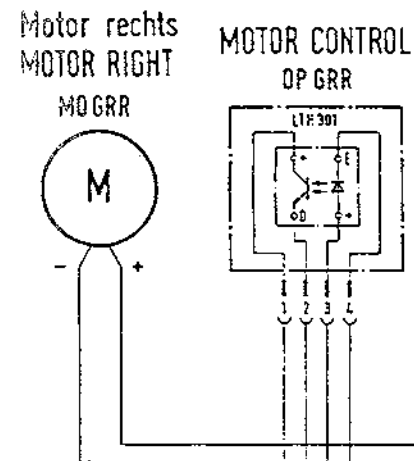
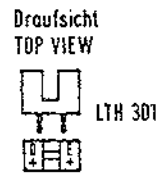
SPARE PARTS LIST

POS.	PART-No.	DESCRIPTION	DATA	QTY
	173 563	<u>CB-STEPPER, ASSY</u>		1
	231 322	OPTO-COUPLER	LTH-301	1
	112 464	CABLE HARNESS	4 prongs	1
	173 557	<u>CB-MOTORCONTROL, ASSY</u>		1
	231 322	OPTO-COUPLER	LTH-301	1

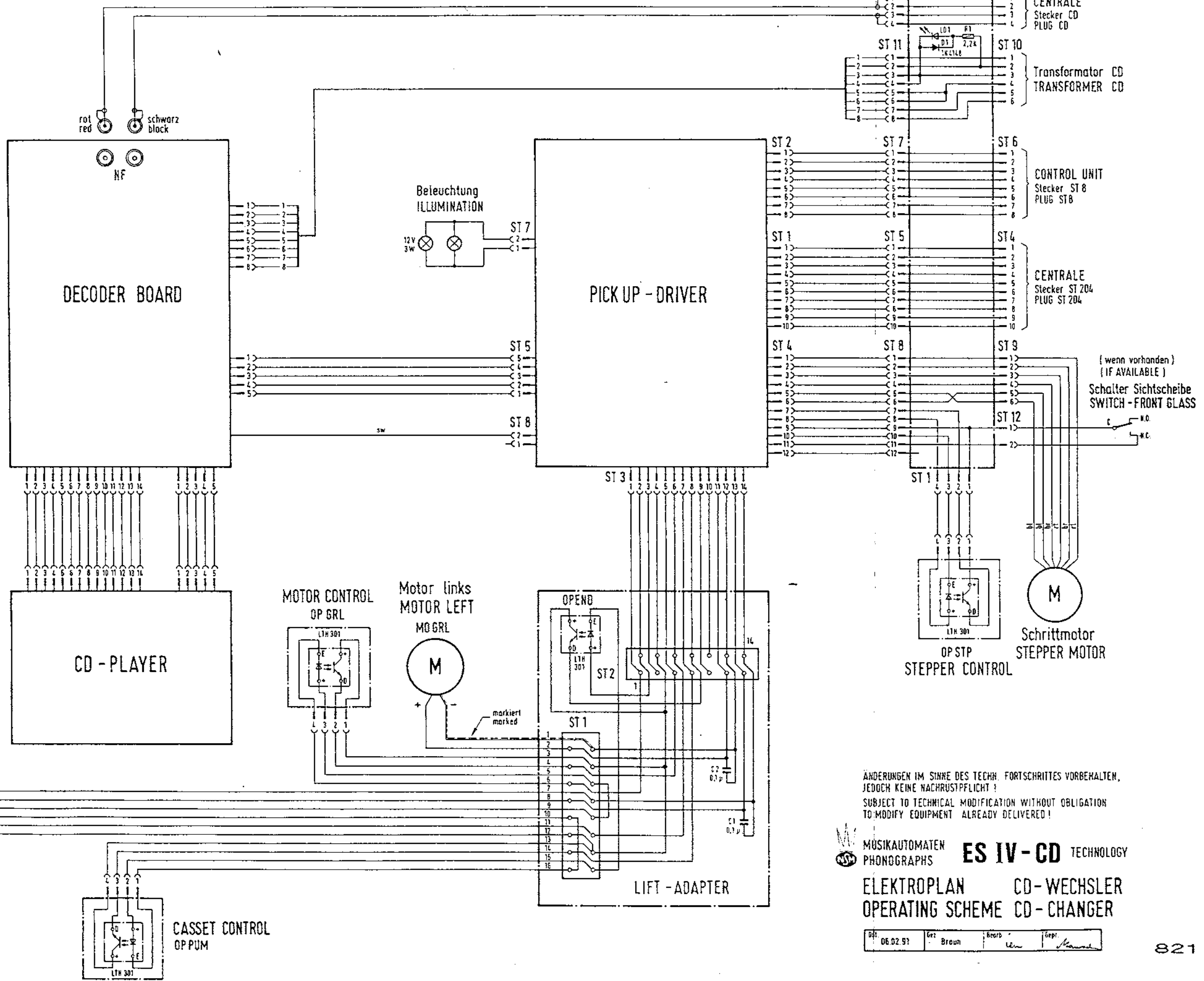
SPARE PARTS LIST

POS.	PART-No.	DESCRIPTION	DATA	QTY
	173 636	CABLE HARNESS: LIFT		1
	173 639	CABLE HARNESS: PICK UP - CABLE I		1
	173 641	CABLE HARNESS: PICK UP - CABLE II		1
	173 644	CABLE HARNESS: TRAILING CABLE		1
	151 645	CABLE HARNESS: DECODER CABLE I		1
	173 646	CABLE HARNESS: DECODER CABLE II		1
	173 647	CABLE HARNESS: DRIVER CABLE I		1
	173 648	CABLE HARNESS: DRIVER CABLE II		1
	173 649	CABLE HARNESS: DRIVER CABLE III		1
	173 740	CABLE HARNESS: NF - CABLE		1
	174 185	CABLE HARNESS: SWITCH		1

- OPEND OPTO END POSITION
- OP GRL OPTO GREIFER LINKS  
OPTO GRASP LEFT
- OP GRR OPTO GREIFER RECHTS  
OPTO GRASP RIGHT
- OP PUM OPTO PICK UP MITTE  
OPTO PICK UP CENTER
- OP STP OPTO STEPPER CONTROL
- MO GRL MOTOR GREIFER LINKS  
MOTOR GRASP LEFT
- MO GRR MOTOR GREIFER RECHTS  
MOTOR GRASP RIGHT



174 902 / 174 830 / 174 485 / 175 275 / 175 039 / 176 045  
 174 903 / 174 831 / 174 486 / 175 274 / 175 040 / 176 046  
 175 592 / 175 594 / 175 599 / 176 043 / 175 593 / 176 047



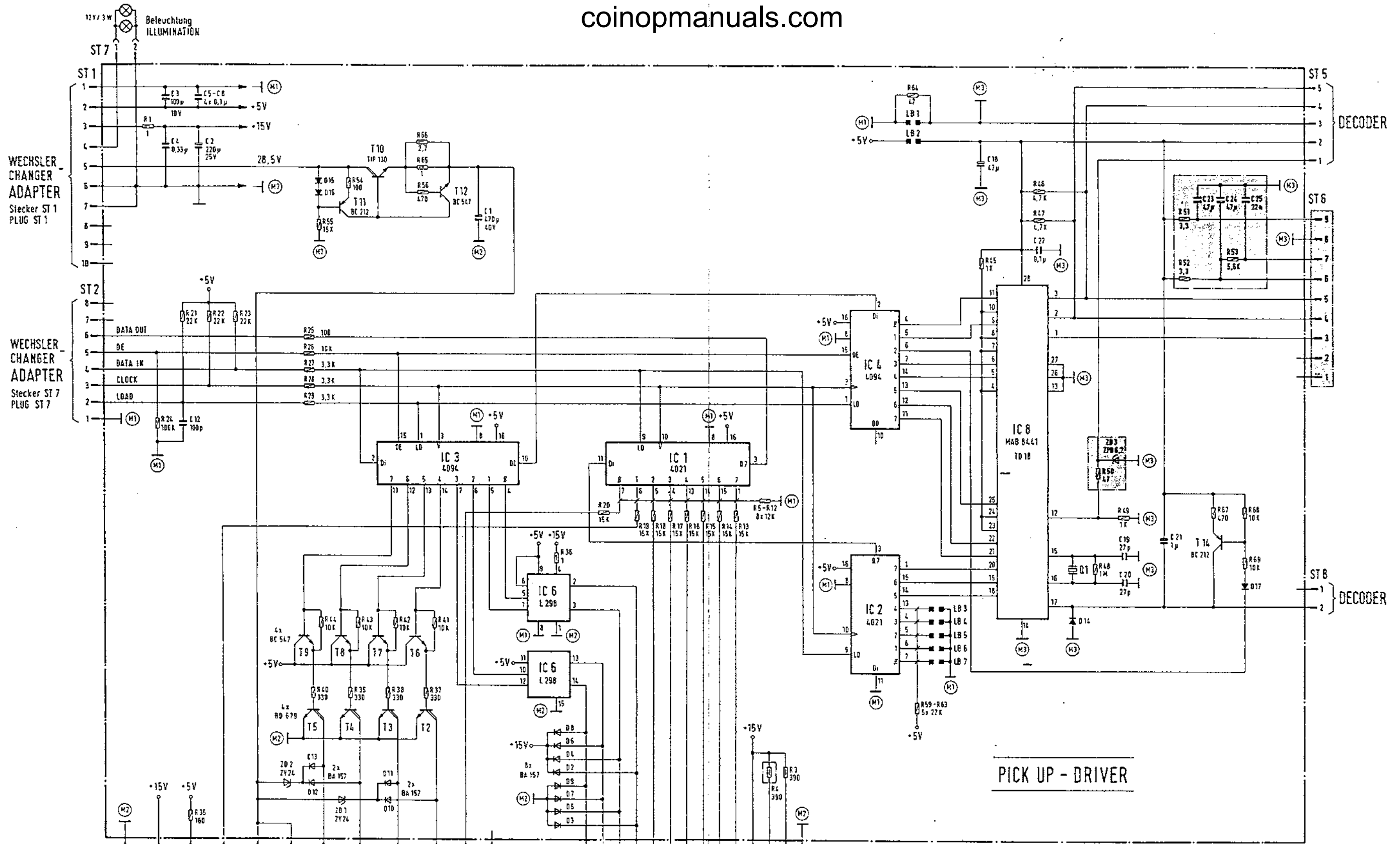
ÄNDERUNGEN IM SINNE DES TECH. FORTSCHRITTES VORBEHALTEN,  
 JEDOCH KEINE NACHRUF PFLICHT!  
 SUBJECT TO TECHNICAL MODIFICATION WITHOUT OBLIGATION  
 TO MODIFY EQUIPMENT ALREADY DELIVERED!

MUSIKAUTOMATEN  
PHONOGRAPHS

**ES IV - CD** TECHNOLOGY

ELEKTROPLAN    CD-WECHSLER  
OPERATING SCHEME CD-CHANGER

Dat. 06.02.91	Gez. Braun	Beord. Wm	Gepr. Schmid
---------------	------------	-----------	--------------



WECHSLER CHANGER ADAPTER  
Stecker ST 1  
PLUG ST 1

WECHSLER CHANGER ADAPTER  
Stecker ST 7  
PLUG ST 7

WECHSLER CHANGER - ADAPTER  
Stecker ST 8  
PLUG ST 8

LIFT - ADAPTER  
Stecker ST 2  
PLUG ST 2

- OP END OPTO END POSITION
  - OP GR L OPTO GREIFER LINKS  
OPTO GRASP LEFT
  - OP GR R OPTO GREIFER RECHTS  
OPTO GRASP RIGHT
  - OP PUM OPTO PICK UP MITTE  
OPTO PICK UP CENTER
  - OP STP OPTO STEPPER CONTROL
  - MOGR L MOTOR GREIFER LINKS  
MOTOR GRASP LEFT
  - MOGR R MOTOR GREIFER RECHTS  
MOTOR GRASP RIGHT
- gerasterte Bauteile sind nicht bestückt!  
DOTTED COMPONENTS ARE NOT INSTALLED!

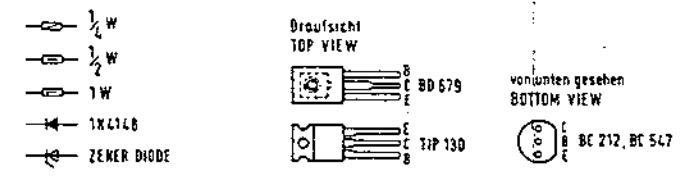
ÄNDERUNGEN IM SINNE DES TECHN. FORTSCHRITTES VORBEHALTEN,  
JEDOCH KEINE NACHRÜSTPFLICHT!  
SUBJECT TO TECHNICAL MODIFICATION WITHOUT OBLIGATION  
TO MODIFY EQUIPMENT ALREADY DELIVERED!

MUSIKAUTOMATEN  
PHONOGRAPHS **ES IV - CD** TECHNOLOGY

Schaltbild  
WIRING DIAGRAM **PICK UP - DRIVER**

Det.	15.02.89	Gez.	Braun	Bearb.		Exp.	
------	----------	------	-------	--------	--	------	--

174 902 / 174 830 / 174 485 / 175 275 / 175 039 / 176 045  
174 903 / 174 831 / 174 486 / 175 274 / 175 040 / 176 046  
175 592 / 175 594 / 175 599 / 176 043 / 175 593 / 176 047



## UNIT DESCRIPTION

## TITLE INDICATION II FOR NSM-PHONOGRAPH

ES IV-CD TECHNOLOGY

to  
Technical Information, Assy

174 903	SILVER CITY
174 831	SILVER SKY
174 486	FASCINATION
175 274	SOUNDMASTER
175 040	FIREBIRD/COUNTRY
176 046	THE PERFORMER "GRAND"

---

**NSM**  
Aktiengesellschaft  
Saarlandstraße 240  
6530 Bingen am Rhein

9

Page 901-911

---