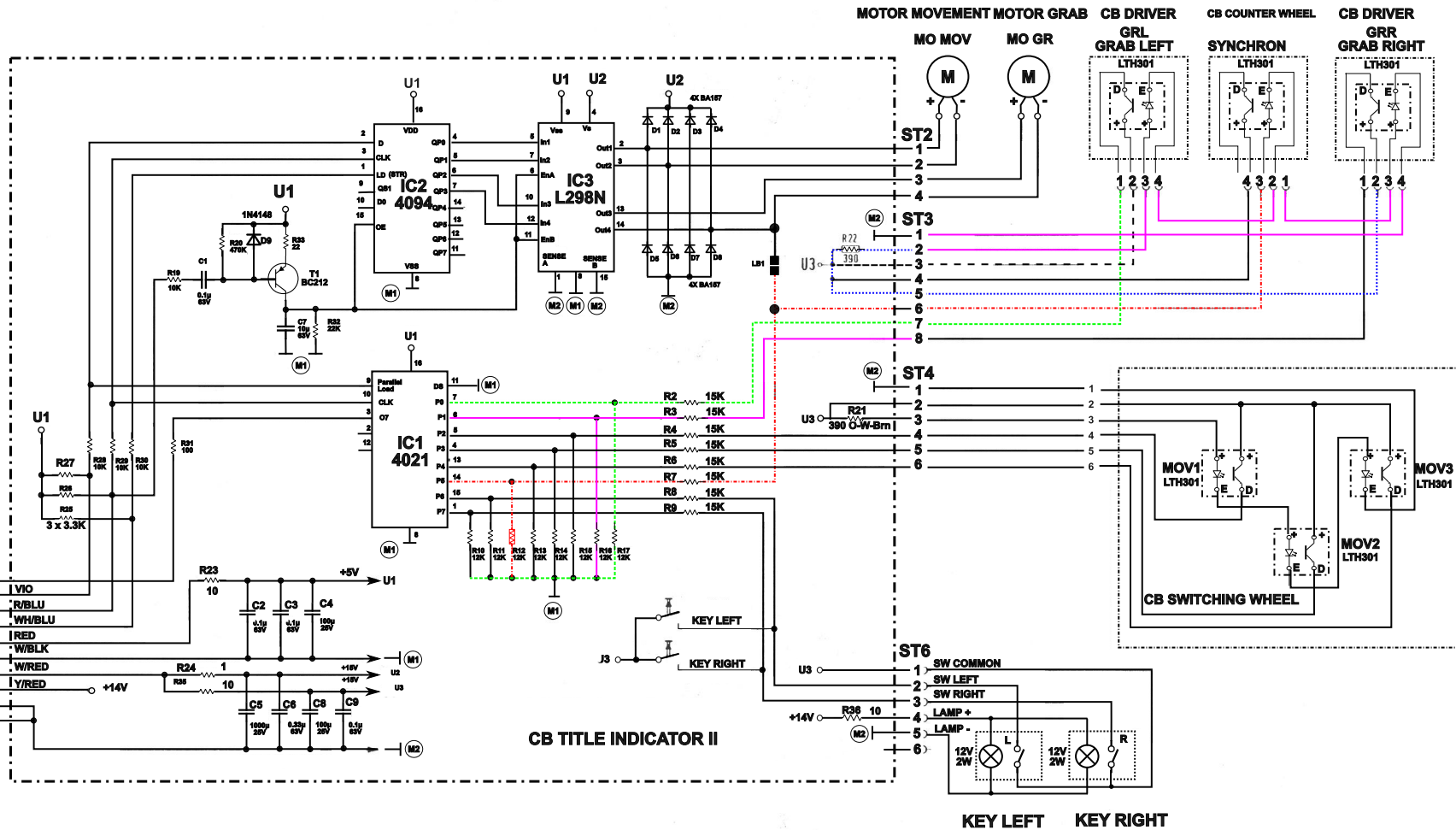


CONTROL UNIT
PLUG ST10

CENTRALE
PLUG ST203

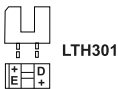


CB TITLE INDICATOR II

BOTTOM
VIEW



TOP VIEW



SUBJECT TO TECHNICAL MODIFICATION WITHOUT OBLIGATION
TO MODIFY EQUIPMENT ALREADY DELIVERED



PHONOGRAPHS **ES IV-CD** TECHNOLOGY

WIRING DIAGRAM TITLE INDICATOR II

001 18 05 90	002 Braun	0003 U...	0001 U...
-----------------	--------------	--------------	--------------