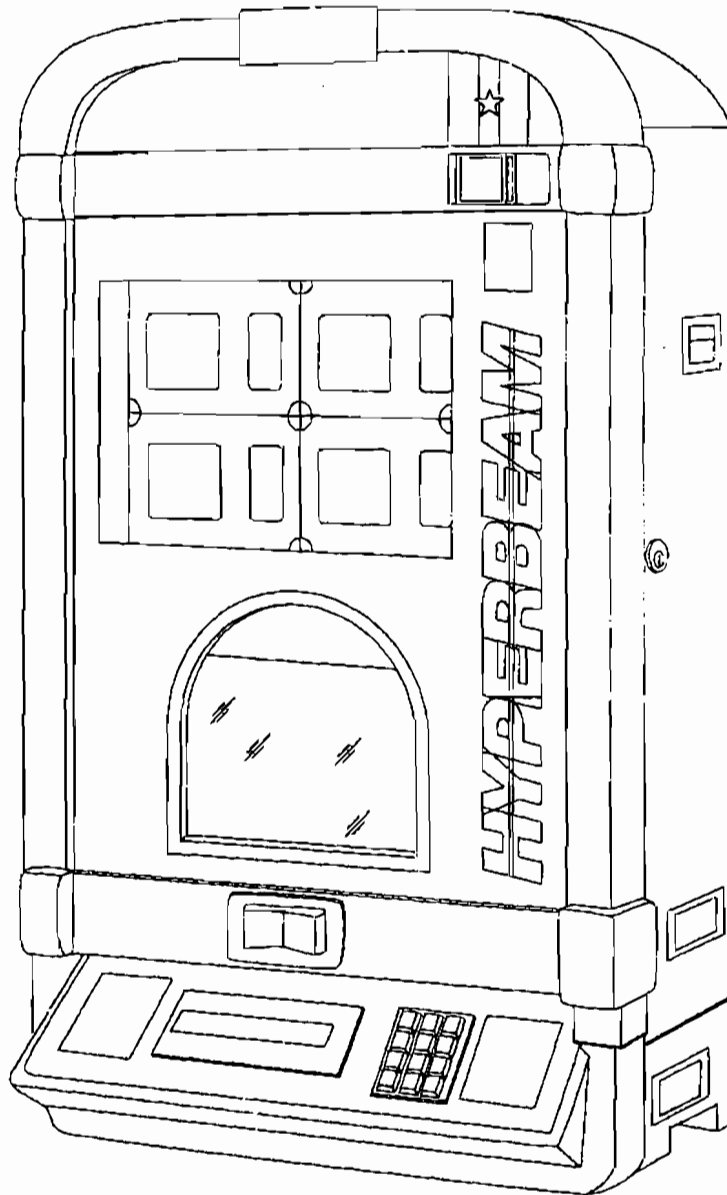


User's Manual

PERFORMER WALL 2000



Attention:

Before opening any parts or covers marked with this lightning sign or working at the components connected to the mains voltage, as power switch, mains transformer, fluorescent lamps and lamps holder, you must unplug the power cable!



The CD-player with a laser scanning system used in this phonograph is a class I product (no risk, harmless laser system). The respective label is attached to the front of the changer behind the view-glass.

**CLASS 1
LASER PRODUCT**

according to IEC 825

The information and illustrations contained in these technical documents are up to date at the time of publication.

Version 07/01/96 – 3

Subject to technical modification without obligation to modify equipment already delivered!

Copyright by

NSM Aktiengesellschaft * 55411 Bingen am Rhein * Germany

Servicetelephone: Bingen **06721 / 42822**

No reprint in full or part unless approved!

Manufactured in Germany

Part number of this documentation: 178 288

CAUTION: Servicing is allowed for qualified service personnel only.
To avoid electric shock do not perform any servicing other than that contained
in this user's manual section 6 unless you are qualified to do so.
Refer all other servicing to qualified service personnel.



Declaration of conformity EC

corresponding to the EC guiding rules

- Electromagnetic compatibility 89/336/EEC
- Low voltage 73/23/EEC

The product

**NSM phonograph
PERFORMER WALL 2000**

has been developed, constructed, and manufactured
in accordance with the above mentioned EC guiding
rules under the sole responsibility of

NSM Aktiengesellschaft
Saarlandstr. 240
55411 Bingen am Rhein

This declaration becomes invalid following product
modifications which are not authorized by NSM.

The following harmonized standards have been
applied:

- EN 55 022 and EN 55 014; (EMC)*
- EN 50 082; IEC 801-2 to IEC 801-4 (EMI)*
- EN 60 065 (GS)*
- EN 60 825 Part 1 (GS-Laser)

The following national standards, guiding rules, and
specifications have been applied:

- DIN VDE 0700 Part 224 (GS)

Bingen am Rhein, 20.11.1995

* Explanation of the abbreviations:

EMC = Electro-magnetic compatibility

EMI = Electro-magnetic immunity from interference

GS = Checked security

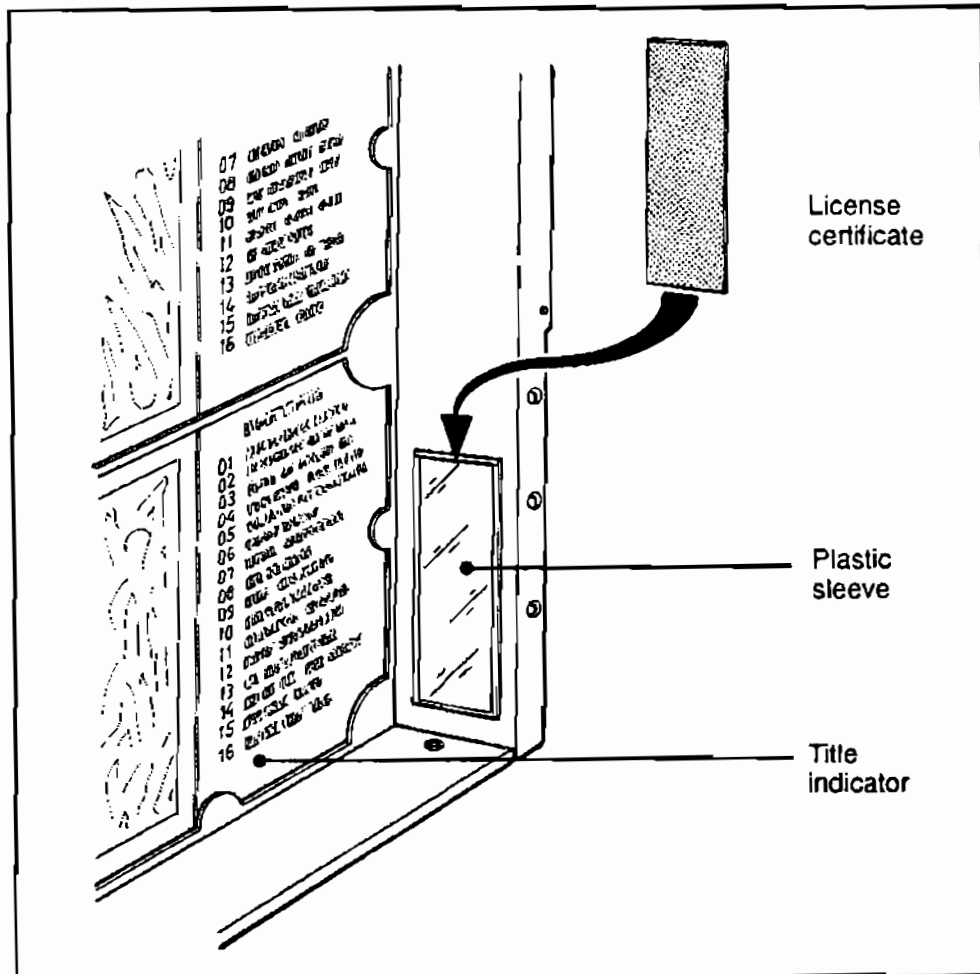
Note: This equipment has been tested and found to comply with the limits for a Class B digital device, pursuant to Part 15 of the FCC Rules. These limits are designed to provide reasonable protection against harmful interference in a residential installation. This equipment generates, uses, and can radiate radio frequency energy and, if not installed and used in accordance with the instructions, may cause harmful interference to radio communications. However, there is no guarantee that interference will not occur in a particular installation. If this equipment does cause harmful interference to radio or television reception, which can be determined by turning the equipment off and on, the user is encouraged to try to correct the interference by one or more of the following measures:

- Reorient or relocate the receiving antenna
- Increase the separation between the equipment and receiver
- Connect the equipment into an outlet on a circuit different that to which the receiver is connected from
- Consult the dealer or an experienced radio/TV technician for help

Directions for placement of the phonograph license certificate (USA market only)

You will receive the license certificate after having paid the necessary fee to the Jukebox License Office.

Please find the registration documents within the phonograph.



Preface

Part I User's manual

About this manual

In this user's manual of the NSM phonograph we have described how to install the phonograph easily and how to handle it so that it will work for a long time.

The phonograph is equipped with a **factory setting** of parameters concerning pricing and handling of CDs to allow you to get started easily.

If you wish to program individual settings of the phonograph you just have to follow the steps described within section 5 **Programming of special and individual settings**.

This user's manual is divided into 6 sections:

Table of contents is arranged in a manner that you will find any required information easily and fast.

Section 1 System description

Within this section a description of the phonograph is given, starting with unpacking the phonograph, followed by a component check list and the set-up procedure of the phonograph.

Section 2 Functional description

In this section we will introduce you to the main components of the phonograph as well as to the optional devices.

We will provide an overview of the possibilities offered by the audio system of the phonograph. Further attention is given to the principal of function of the CD changer and the title indicator.

Section 3 Installation of the phonograph

In this section we will help you to set up the phonograph. Due to the factory settings you will be able to play titles after inserting CDs and performing the CD recognition routines. The phonograph is ready to work using the factory settings.

Section 4 Basic operation

This step-by-step description is useful if you don't want to use the integrated phonograph programming routines.

We will explain the basic programming of price and monetary setting as well as how to read out the statistics of the last operation period. We will give you a short introduction to the remote control panel and the statistic evaluation. Furthermore, we introduce you to the possibilities of connecting more loudspeakers.

Section 5 Programming of special and individual settings

This section of the user's manual is reserved for the operator who wants to program individual settings of the phonograph such as Happy-Hour-play or Background music.

Section 6 Maintenance

Here you will find information about cleaning the surfaces and the housing or the CD drive.

Part II Service manual

You will get more information concerning necessary repairs and the spare parts list herein.

The Service Manual for the NSM phonograph has the part-no. 178 291.

Section 1 System description	1-1
The NSM phonograph PERFORMER WALL 2000	1-1
Introduction	1-2
Unpacking	1-2
Use NSM mounting bracket	1-3
Observe when using an upright stand	1-5
Transportation security devices	1-6
Section 2 Functional description	2-1
Components of the NSM phonograph	2-1
The coin and bill chutes, playing instructions	2-1
The operating instruction	2-1
The title display	2-2
The rocker button	2-2
Display and keyboard	2-3
Selection of CD's	2-4
Central Unit	2-5
Control Unit	2-5
Audio system	2-6
CD-changer	2-7
Options and accessories	2-8
Technical data of the phonograph	2-9
Section 3 Installation of the phonograph	3-1
Installation of the phonograph	3-1
Connecting the phonograph to the mains voltage	3-1
Loading CD's into the CD storage magazine	3-2
Loading the title display	3-3
Memorizing the titles of the loaded CD's to the control unit	3-5
Section 4 Basic Operation	4-1
Changing the price – and monetary value settings	4-1
Summary of programmable features	4-4
Play Mode	4-4
Credits	4-5
Title display	4-5
Background Music	4-5
Advertising	4-5
Lock-out titles	4-5
Happy-Hour credits	4-5
Service and maintenance	4-5

Adjustments with Remote control	4-6
Volume controls	4-6
Muting	4-7
Free credits	4-7
Background music	4-7
Changing CD's	4-8
How to change CD's	4-8
Evaluation of the statistics	4-9
Data transfer and storage with DATAprint	4-9
Printout in text mode	4-9
Printout in graphic mode	4-11
Additional external loudspeakers	4-13
Connecting external loudspeakers for stereo mode	4-13
Connecting additional loudspeakers of the same impedance as the internal ones	4-13
Connecting additional loudspeakers of higher impedance	4-13
Connecting external loudspeakers for mono mode	4-14
Sound system for separate rooms	4-14
Mono mode with serial connected loudspeakers in one room	4-14
Adjustments for better sound quality	4-15
Location of the mode switch	4-16
Connecting the loudspeakers via output transformer	4-17
Check that the phonograph is not overloaded	4-20
Connection diagram for output transformer	4-21
Special connection / left channel inverted	4-23
Connection diagram for special mode with inverted left channel	4-24
Adjustment of volume of additional loudspeakers with volume controller	4-25
Section 5 Programming of special and individual settings	5-1
General information, command overview	5-1
The structure of the service program steps	5-4
Authorization (P001 to P003)	5-5
Enter Authorization Code	5-5
Changing the Authorization Code	5-5
Show software versions (P003)	5-5
Statistics (P010 to P029)	5-6
Popularity	5-6
Hit Parade	5-7
Cashbox contents	5-7
Counter for number of coins / bills	5-7

Additional Counters	5-8
Data Transfer (P030 to P031)	5-9
DATAprint, printout in text mode	5-9
DATAprint, printout in graphic mode	5-10
Cancellation of counters (P033)	5-10
Programming General Settings P040 to P057	5-11
Sound system settings	5-15
Maximum Volume Levels	5-15
Set volume for play mode	5-15
Sound setting (treble and bass)	5-16
Price Settings P060 to P066	5-17
Programming the price settings by default values	5-18
Programming the price settings with custom settings	5-18
Programming an album bonus	5-18
Monetary Value Setting P070 to P078	5-18
Standard values	5-18
Individual monetary values	5-19
Bonus Credits	5-19
Indirect / direct money to credit revaluation	5-19
Programming Real Time Clock P080 to P082	5-21
Set time	5-21
Set date	5-21
Programming Free Credits P090 to P095	5-23
Programming Background Music P100 to P107	5-25
Programming Auto Play P110 to P117	5-27
Programming Advertisements P120 to P127	5-29
Programming Lock-Out Titles P130 to P135	5-30
Programming Happy-Hour-Credits P140 to P144	5-31
Test Programs P150 to P159	5-32
Additional test programs for the service operator	5-34
Recording titles into title memory P160-163	5-35
Switching signal sources for testing the audio amplifier P164	5-36
Switching interface protocol for data transfer P170	5-36
6. Section Maintenance	6-1
Cleaning the housing of the phonograph	6-1
Lubrication chart for the title display	6-2
Replacing fluorescent lamps	6-3

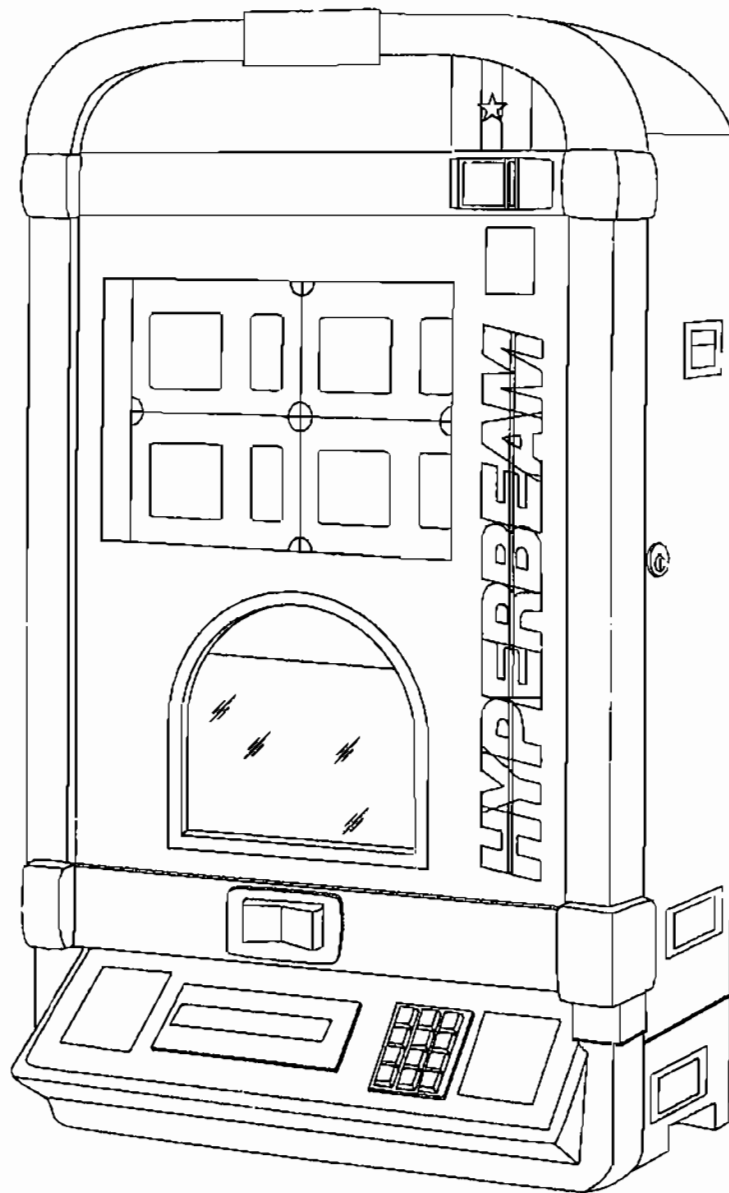
List of tables

Table 1: Programming of price settings	4-1
Table 2: Programming the monetary value settings	4-2
Table 3: Calculation of the loudspeaker's power	4-19
Table 4: Selecting power for internal loudspeakers	4-20
Table 5: Overview of Commands of the Service Program	5-4
Table 6: Price Settings	5-17
Table 7: Monetary Value Settings	5-20
Table 8: Error Displays	5-33

List of figures

Figure 1: General view to the NSM phonograph, location of components	1-1
Figure 2: Transportation fixtures	1-6
Figure 3: The playing instruction of the phonograph	2-1
Figure 4: The operating instruction of the phonograph	2-1
Figure 5: The title display	2-2
Figure 6: The rocker button for moving the title holders	2-2
Figure 7: Operator's panel of the phonograph	2-3
Figure 8: Structure of the Central Unit	2-5
Figure 9: Structure of the Control Unit	2-5
Figure 10: Structure of the main components of the audio system	2-6
Figure 11: CD changer	2-7
Figure 12: The Service switch	3-1
Figure 13: Placing CDs into trays	3-2
Figure 14: Loading of title holders	3-3
Figure 15: Sequence of title holders	3-3
Figure 16: The synchronisation mark of the counter wheel	3-4
Figure 17: Display after entering the service mode	3-5
Figure 18: CB Adaptor	4-3
Figure 19: Remote control	4-6
Figure 20: Sample printout in text mode, generated on DATAprint 3000	4-10
Figure 21: Evaluation unit NSM DATAprint	4-11
Figure 22: Sample printout in graphic mode, generated with DATAprint 3000	4-12
Figure 23: Stereo mode with normally connected loudspeakers	4-13
Figure 24: Stereo mode with connected loudspeakers of high impedance	4-13
Figure 25: Mono mode with connected loudspeakers for seperated rooms	4-14
Figure 26: Mono mode with serial connected loudspeakers in one room	4-14
Figure 27: Mode switch S1	4-16
Figure 28: Connection diagram for external loudspeakers and output transformer	4-21
Figure 29: Connection diagram for special mode with inverted left channel	4-24
Figure 30: Functional principle of volume controller	4-25
Figure 31: Volume Controller: Example of connection	4-25
Figure 32: Volume controller with output transformer	4-26
Figure 33: Display after entering the service mode	5-1
Figure 34: Key pad layout for volume setting	5-15
Figure 35: Key pad layout for sound setting	5-16
Figure 36: Key pad layout for command "set time"	5-21
Figure 37: Key pad layout for command "set date"	5-22
Figure 38: Key pad layout for command "set day code"	5-22
Figure 39: Cleaning of the phonograph	6-1
Figure 40: Lubrication chart of the title display	6-2

PERFORMER WALL 2000

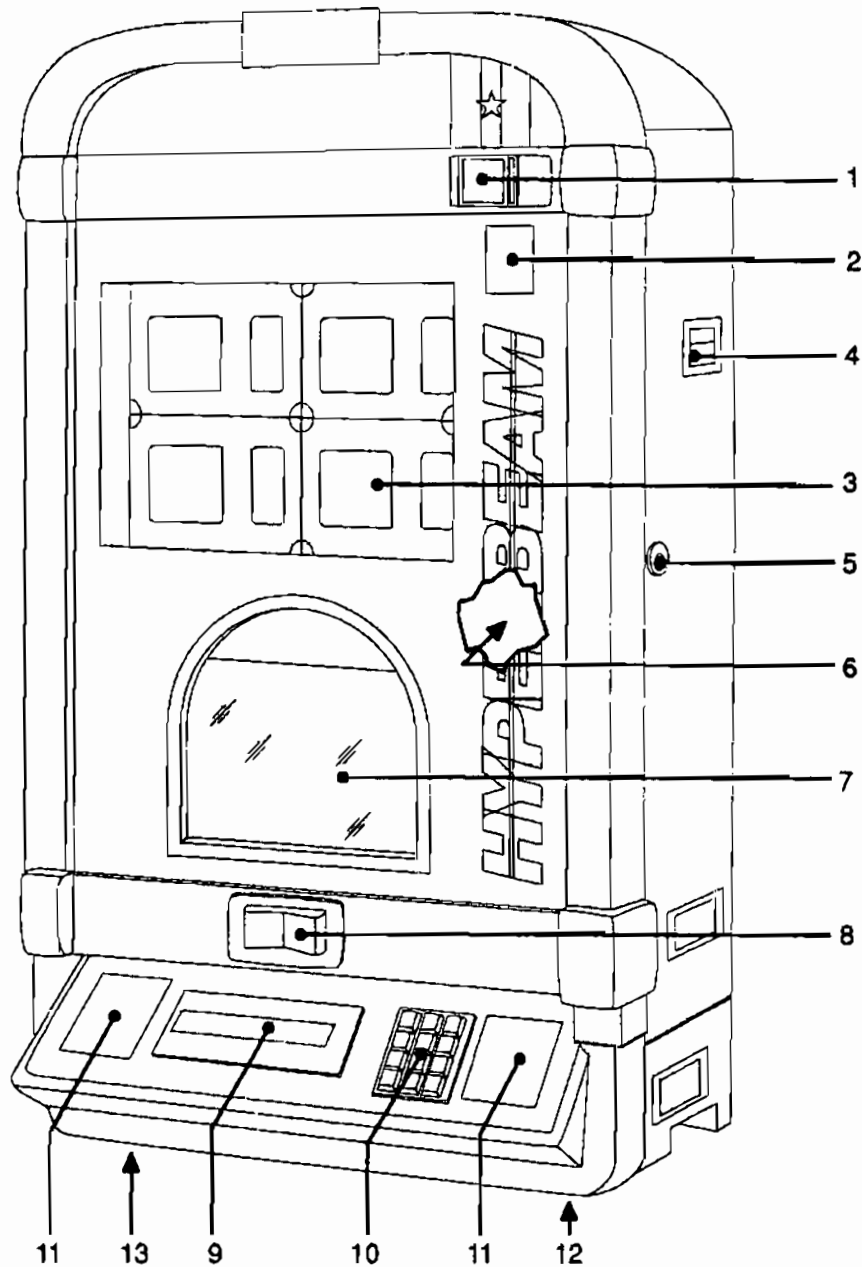


System-Beschreibung/ System
description/ Description du système

1

Section 1 System description

The NSM phonograph Performer Wall 2000



1 Money insert Dollar Bill chute (for USA only)	7 CD-changer
2 Playing instruction	8 Rocker button for title indicator
3 Title indicator	9 Display
4 Coin return cup (for coin acceptor only)	10 Keyboard
5 Lock	11 Operating instructions
6 Light play	12 Mains switch
	13 Volume control

Figure 1: NSM phonograph Performer Wall 2000, general view of the several components

Introduction

Congratulations for having purchased this high quality phonograph. It is built with the famous 100 CD changer already known from our preceding phonographs. This phonograph performs a music power of 200 W per channel.

Before you begin

Please read the first three sections of this manual and pay special attention in order to perform an error-free installation.

Remove all transportation security devices carefully from the phonograph in order to avoid destruction and malfunctioning of the phonograph.

Be careful with the power supply. Connect the phonograph only to the mains voltage indicated on the label on the power cord.

Level the phonograph carefully to avoid malfunctioning of the coin acceptor, the CD changer and the title indicator.

Check the operating conditions. Storage and operation of this phonograph are recommended in dry rooms only.

Transport damages

If the shipping carton shows damage due to transport, this should at once be recorded on the delivery slip of the shipping papers and then endorsed by the person making the delivery.

The manufacturer is not liable for damages during transport!

Cabinet keys

The cabinet key is taped onto the front glass; the other keys are placed in the cashbox inside the phonograph.

The lock for releasing the door is located on the right side of the housing.

List of delivered components

After opening the phonograph you should find the following :

User's manual and additional sheets below the CD changer.

Mains cable, reserve fuses and title pockets and -strips between the CD changer and the cash box.

Cash box key taped onto the cash box.

Perform a visual control of all components to be placed right and to be well-connected. Should you have any problem, contact your distributor.

Use NSM Mounting Bracket (Part-No. 040 739)

In order to guarantee a correct functioning of the coin mechanism mount the phonograph horizontally and vertically exactly. Therefore, we recommend the practical NSM mounting bracket.

Take care to mount the bracket untwisted since the rear of the cabinet can otherwise be twisted.

To secure the phonograph to the bracket, a holding screw with sleeve –Part No. 176 999 (M 10x20)– of the accessory bag is to be used.

Plug in connection cable before mounting (also see section 3: "Mains Connection").

Secure mounting of the machine is very important since besides the danger of severely damaging the machine, the operator is responsible for all damages caused by an incorrectly mounted wallbox.

When choosing the fastening material, take into account the machine's weight of 83 kg.

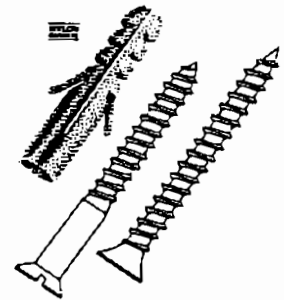
We recommend dowel pins in sufficient quantities.

The screws should be at least 6 mm in diameter!

Example of mounting the NSM mounting bracket using nylon dowel-pins

First a few tips:

- The maximum bearing capacity of nylon dowel pins may only be achieved with the greatest possible screw diameters and with screws exceeding the dowel point by the screw diameter again.
- Please ensure that with fixings in hollow brick and hollow blocks the expansion zone of the dowel is completely anchored in at least one stone web.
- Determination of minimum screw length
 $1 \times d$ (d=nominal diameter of screw)
 + dowel length
 + thickness of plaster and/or insulating material
 + thickness of mounting bracket 3 mm
 = min. screw length



Important:
min. 1 x screw diameter



observe the screw diameter



Pull-out values, safety factors

The pull-out values (breaking loads) given in this chapter are mean failure loads determined in at least 5 tests in uncracked building material.

Failure criteria may be: failure of building material, breaking of bolt, loosening of anchor, breaking of anchor.

Pull-out values in kN*. Determined in each case with the largest screw diameter (steel screw) and with flush fixing of the dowel in the load-bearing anchorage base.

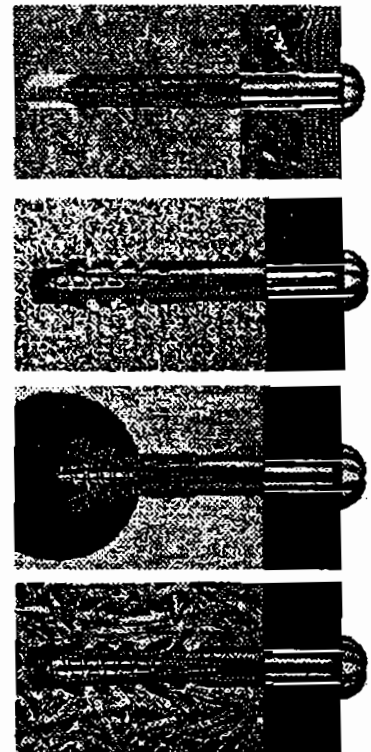
The following points must be observed when drilling, irrespective of the material:

Dowel:	S8
Wood screws Ø	6 mm
Concrete B25	4,5 kN
Aerated concrete GB 3,3	1,2 kN
Aerated concrete G 4	1,3 kN
Solid brick Mz20	4,1 kN
Perforated brick Hz20	3,0 kN

Allowance must be made for an appropriate safety factor.

Drill hole geometry

The exact drill hole geometry dictates the load-bearing capacity of a dowel. Therefore always drill at right-angles and do not change direction during drilling. This has especially to be observed in the case of soft materials.



Drill process

The following drilling methods are possible depending on the type of drilling machine:

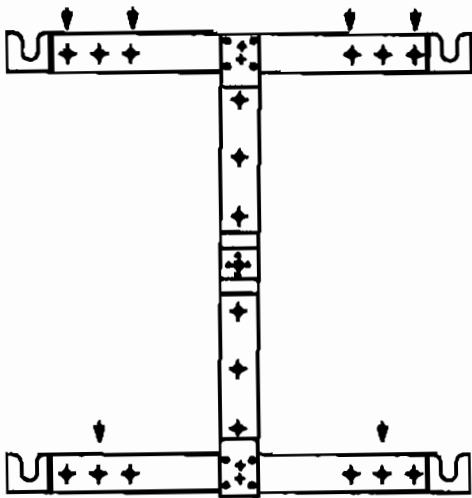
- Rotary – without impact
- Impact drill—many impacts with a low amount of impact energy. Fast rotation
- Hammer drill – few impacts with a high amount of impact energy. Slow rotation

The material determines the drill process:

- Solid materials of dense structure: impact and hammer drilling
- Hollow brick, materials of low strength and aerated concrete, only rotary so that the hole does not become too big and in hollow brick the webs do not break out.

Never forget to remove the dust from the drill hole after drilling. Only then the dowel performs safety fixing.

As a safety factor we recommend: for nylon dowel pins $v \geq 7$.



Example: In aerated concrete GB 3,3 the pull-out value for dowels type S8 and screws with a diameter of $\varnothing = 6\text{mm}$ is 1,2 kN. Divided by safety factor 7 becomes

$$1,2 \text{ kN} / 7 \approx 0,17 \text{ kN} \approx 17 \text{ kp for 1 screw.}$$

The weight of the machine is nearly 83 kg; therefore at least

$$83 / 17 \approx 5 \text{ screws are necessary.}$$

For additional safety reasons and for better symmetry you should use 6 screws. Also see arrows in left hand figure.

When fixing the machine to the wall, make sure the vent is not hindered in its function. When using the mounting bracket, there is normally enough distance between cabinet and wall for air circulation. Plush wall hangings decrease this distance; in that case the bracket has to be fastened to a flat board. Do not mount machine above heaters!

Installing the CD phonograph to a plaster board wall

Required Parts List:

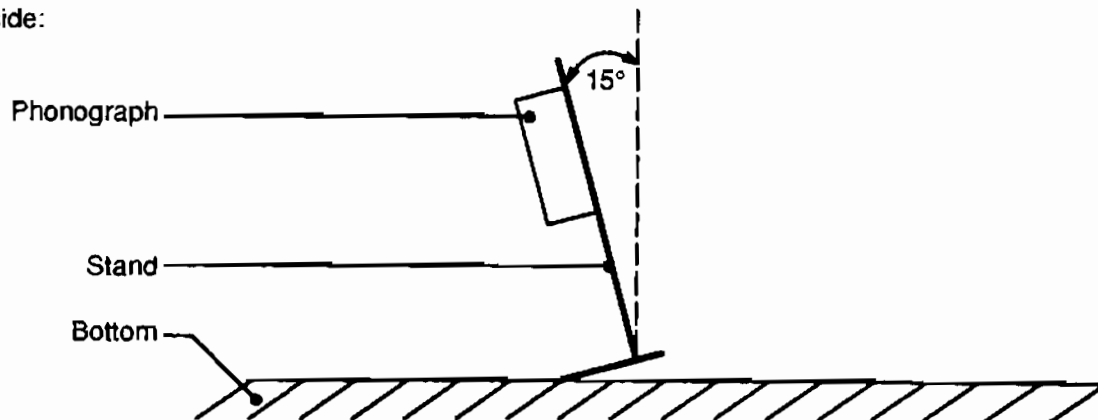
- (12) 1/4" X 3" sheet rock screws
- Plaster board wall
- mounting bracket

1. Build a wall structure using a minimum 2" X 4" studs. The studs should be placed in such a way to allow the mounting bracket to be secured 8-1/4" on center (horizontally) and 19" on center (vertically).
2. Use a minimum of twelve 1/4" X 3" or larger dimension sheet rock screws, 8 horizontal (4 top and 4 bottom) and 4 vertical to secure mounting bracket to wall.
3. Test the holding strength of the bracket by pulling down on it with reasonable force in excess of the weight of the CD phonograph (about 177 lbs).

Observe When Using an Upright Stand

If the phonograph is mounted on a stand, it must be made sure that it cannot fall over. Therefore, it is recommended to use sandbags for example to weigh down the stand. The phonograph should not tip over with opened door and up to an angle of 15° out of the vertical line!

View from the side:



Transportation security devices

Before operating the phonograph all security devices for safety and protection during transport have to be removed.

Note: Prior to any further transportation the security devices for safety and protection during transport have to be re-inserted.

Avoid static discharge to the phonograph. Electro Static Discharge (ESD) may destroy the opto-electronics and other ESD sensitive parts within the phonograph.

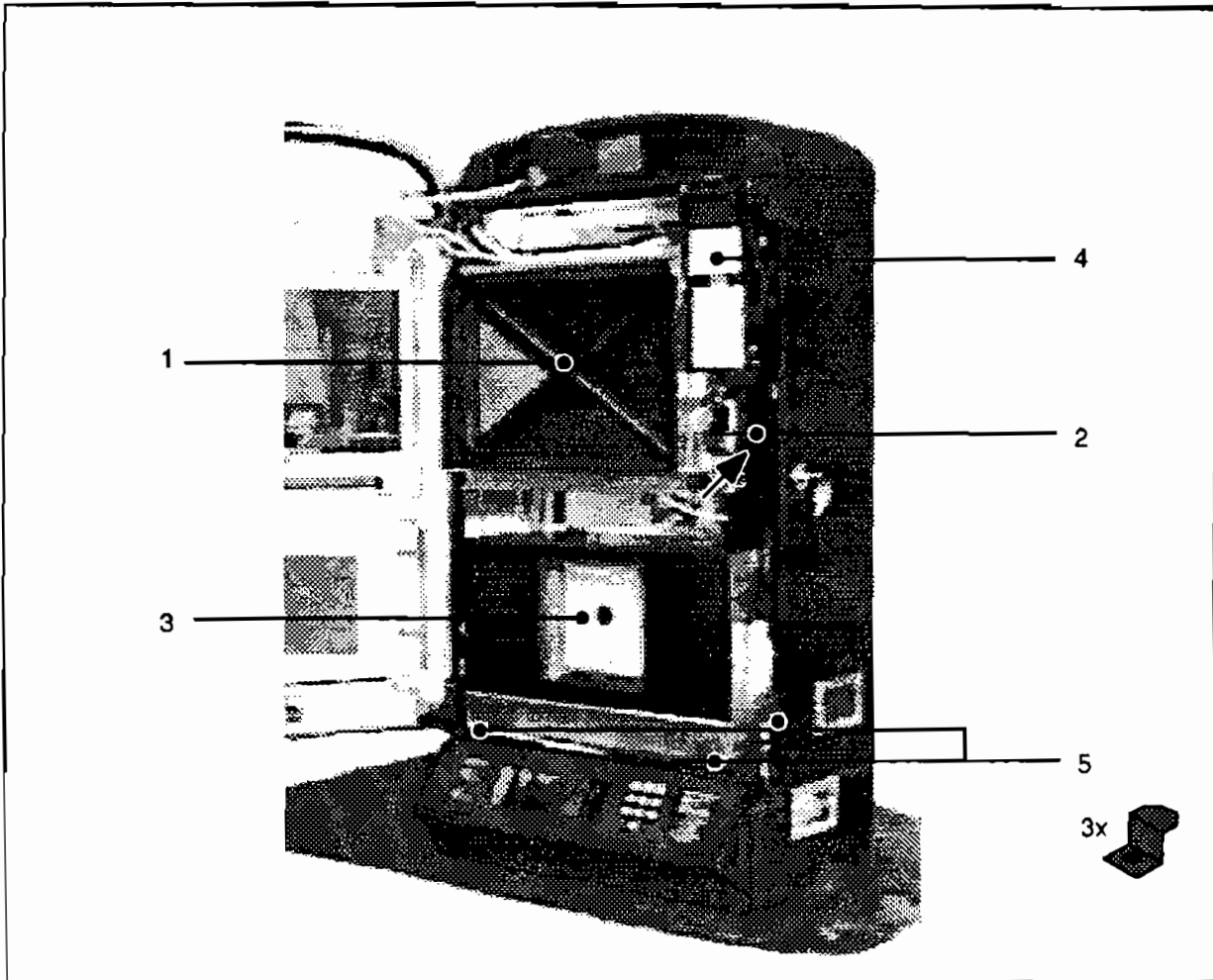


Figure 2: Transportation fixtures inside the phonograph

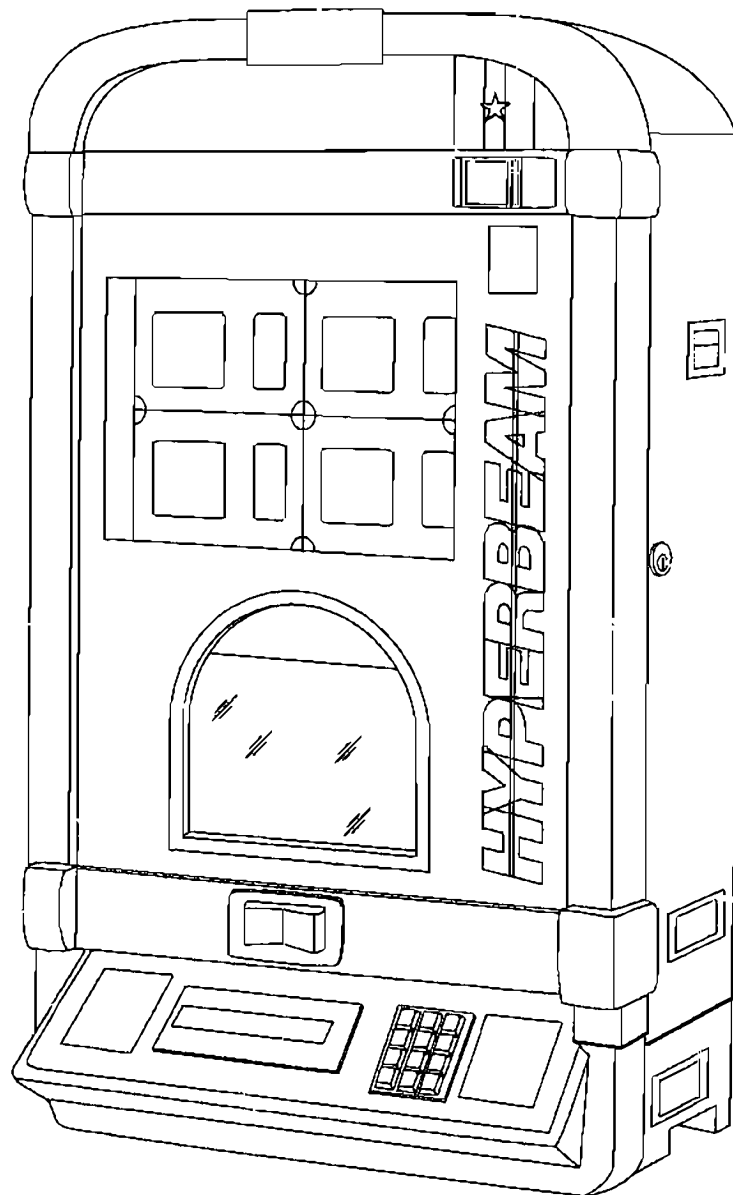
Removing the transportation fixtures

1. Open the phonograph.
2. Remove the plastic cap (Fig. 2-1) from the title display.
3. Remove the transportation security screw (Fig. 2-2).
4. Open the front door of the CD changer.
5. Remove the card board transportation fixture (Fig.2-3), located between the two CD storage magazines.
6. Remove and discard the cardbox insert from the magazine of the dollar bill acceptor (Fig.2-4).

Note: The three transportation fixtures (Fig. 2-5) on the edges of the CD-changer (back right and front) must only be removed in case of an acoustic feedback caused by vibration of loudspeakers mounted right besides the phonograph. Therefore loosen the screws and remove the fixtures.

Carefully keep the transportation fixtures for a future transportation; deposit them in a convenient location within the cabinet.

PERFORMER WALL 2000



Funktionsbeschreibung/ Functional
description/ Description fonctionelle

2

Section 2 Functional description

Components of the NSM phonograph

In the following chapter you will be introduced to the main components of the NSM phonograph "Performer Wall 2000". Refer to figure 1 for locating the several components.

The coin and bill chutes, playing instructions

To earn credits for playing different titles you have to insert either coins or bills.

Look at the stickers on the lid to perform right inserts of money.

You also have the possibility to change the number of credits for a title selection or an album selection. Then you have to replace the corresponding credit stickers by new ones.

Note: If you wish to change any credit setting don't forget to change the operating instructions.

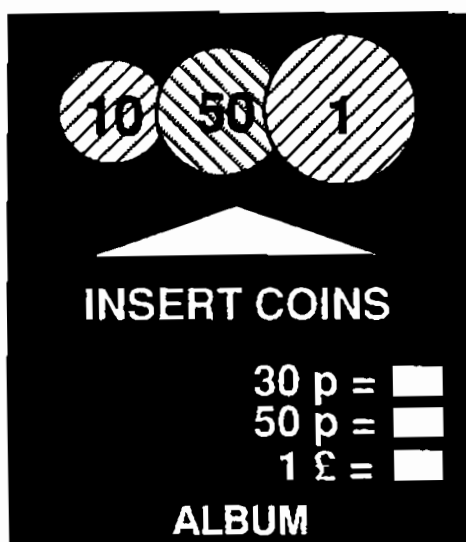


Figure 3: The playing instruction for the phonograph

The operating instruction

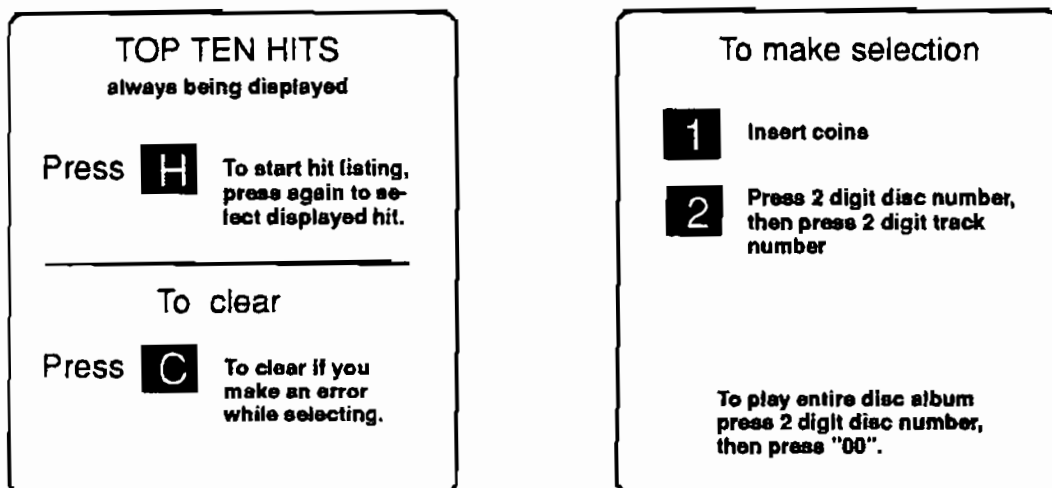


Figure 4: The operating instruction of the phonograph

The title display

If you wish to insert or to exchange CD covers and/or title strips, you have to open the phonograph by swinging out the door. Swing out the title display to the left so that you can press the buttons "TR" and "TL" (also see page 3-3).

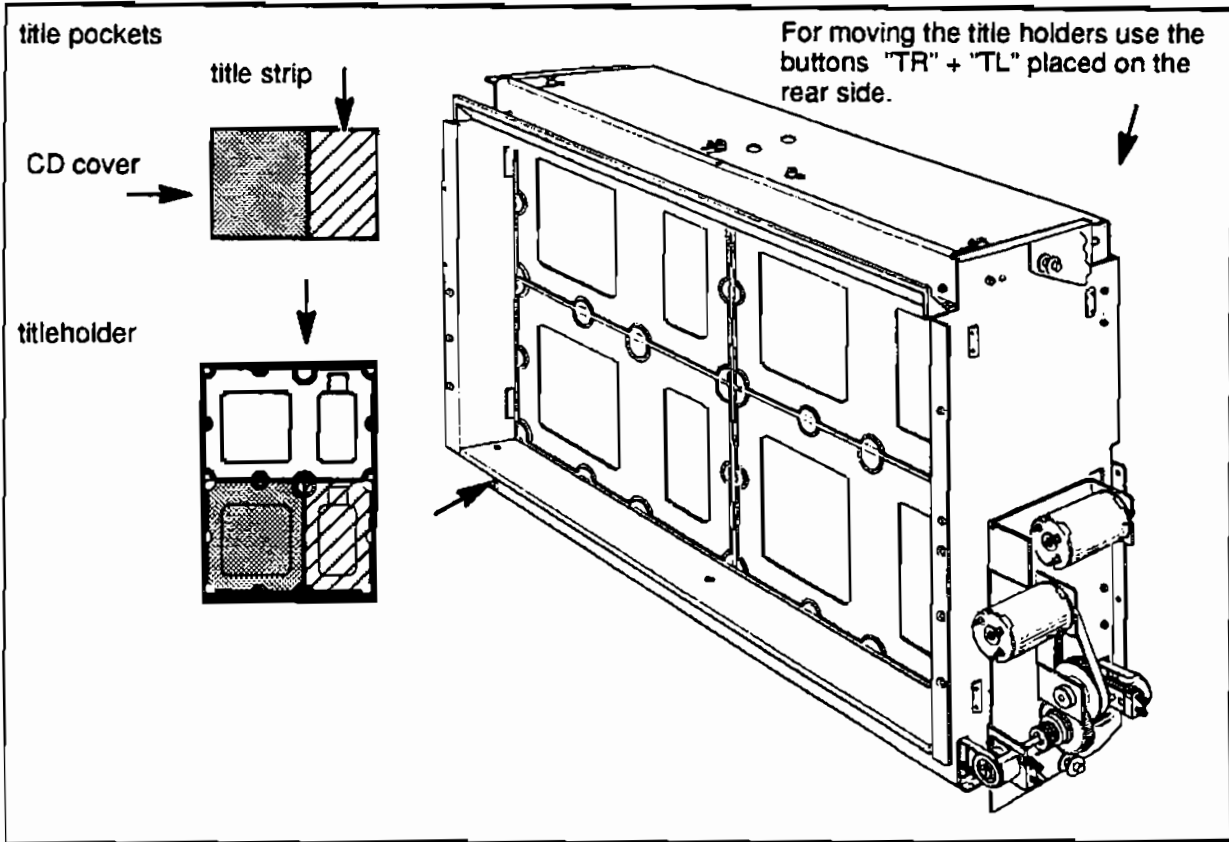


Figure 5: The title display

The rocker button

The rocker button is located in the lower part of the front. By pressing this button, the title holders can be moved into the corresponding direction. Upon each button operation four new CD-covers including title strips are shown.

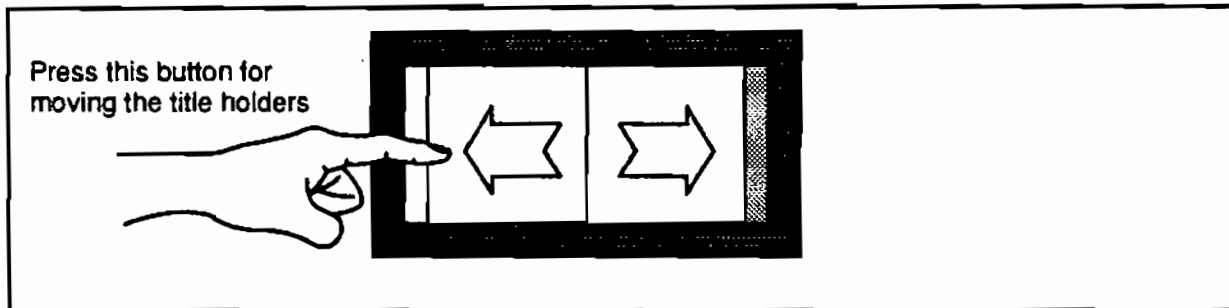


Figure 6: The rocker button for moving the title holders

Display and keyboard

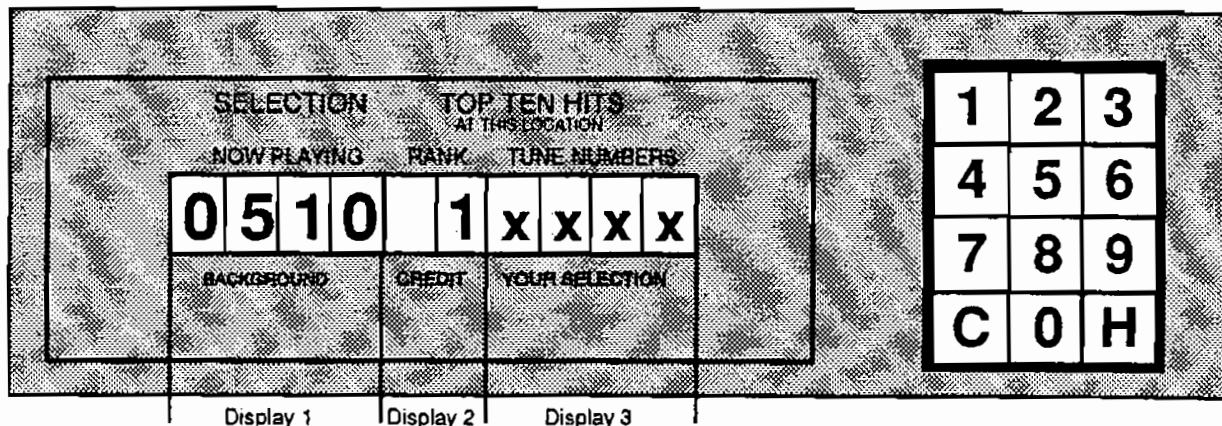


Figure 7: Operator's panel of the phonograph

The phonograph is equipped with a keyboard having digits "0" to "9" and "H" and "C". The multi-functional display consists of three parts. You will get different information via the display depending on the mode of operation of the phonograph:

Immediately after power-on the phonograph performs a self-test of the memory components of the control unit and all pre-programmed values. Afterwards display 1 shows the program version of the phonograph software for 2 sec.

If an error is found during the self-test, the error code is displayed as "Er xx" for 2 sec. With Er 31 (unverified memory contents) and Er 40 (price settings incorrect) display 1 shows the program step which needs to be re-programmed as Pxxx (refer to chapter **Programming of the phonograph**).

Note: For other Er-numbers on display 3, even during operation, refer to the Service manual of the phonograph to get more information about error locating or trouble shooting.

During stand-by the phonograph calculates the ten most played titles out of the last 30 titles played. On display 3 the title numbers of the 10 most popular titles are shown rankings (1-10) on display 2. This "hit display" is changed in intervals of 2 sec. Also the lamp "10 top hits" lights up.

When pressing the key "H", the hit display can be stopped for 16 sec. Each pressing of the key "H" causes an advance to the next hit.

Note: When the popularity counters are erased (program step P033, refer to section 5 **Programming**), the hit parade is erased, too. In that case "0" appears for ranking until records are played again.

After insertion of a coin the hit display is interrupted, the lamp "**10 TOP HITS**" turns off, and the lamps "credits" and "your selection" light up. Display 2 shows the number of credits.

For every selection credit is deducted. If not enough credits are available for the selection, the lamp "credit" flashes.

No more coins being inserted within 16 sec. or no selector key being pressed, the mode changes to "hit display".

After selection of a title the CD to be played is transported to the player and then played. Just before start the number of the title is shown on display 1 ("SELECTION NOW PLAYING"). After the disc has been played, the display is erased and the CD is transported back to its magazine space.

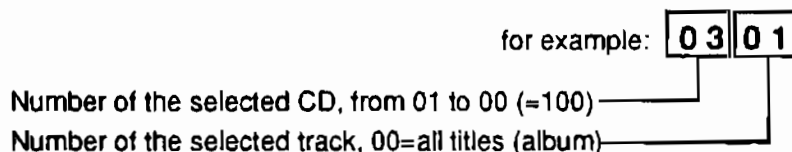
Note: If an error occurs with the CD changer or the player, "Er 7x" or "Er 6x" appears for 2 sec. In that case refer to the Service manual to get more information about error locating or trouble shooting.

During programming mode the display shows the selected programming step with actual values. Use the keyboard to change settings.

Note: Programming is possible only if the phonograph is in service mode. Refer to chapter **Programming of the phonograph**.

Selection of CDs

If there is enough credit for at least one track/title to be played, this title can be selected by entering the corresponding number of the CD and the track. This four digit number consists of two parts:



The lamps "credits" and "your selection" light up. The selection can be corrected by pressing "C" up to 2 sec. after pressing the 4th digit.

Album selection: When entering track 00, all titles of a CD are automatically played (i.e. 0300 = all titles of CD 03).

Note: Because there are only two digits reserved for the number of the CD, we have defined that the hundredth CD of our CD changer is designated with number 00.

Central Unit

The power supply, stereo amplifier with fan control, interfaces for the inputs of microphone, CD drive, tape and remote control, interfaces for the output to control unit, CD drive, and illumination are all integrated on one circuit board (CB) "CENTRALEINHEIT ES 5.1".

The music power per channel is 200 W when matched to a loudspeaker impedance of 4 Ω.

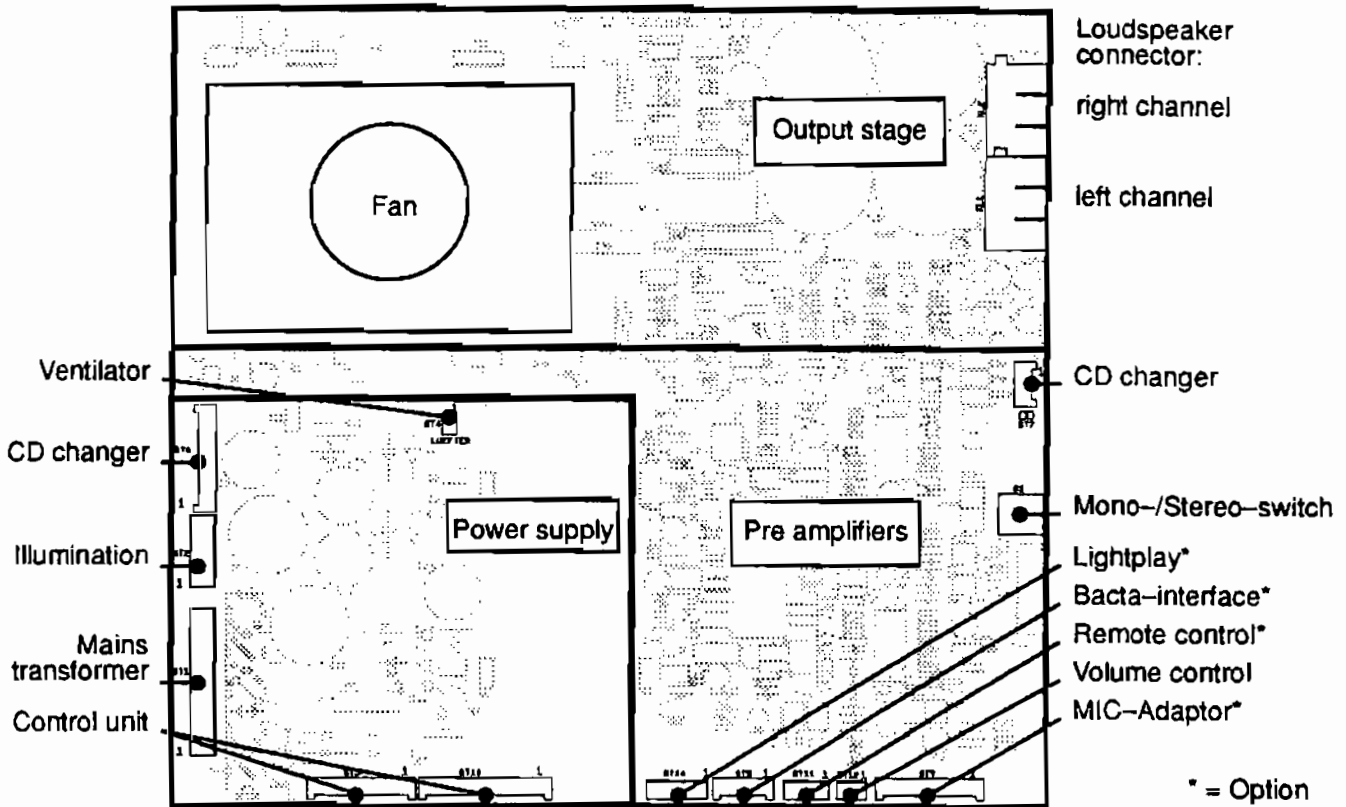


Figure 8: Structure of the Central Unit

Control Unit

This CB contains the microprocessor which controls all functions of the phonograph. Evaluation is performed with the phonographs keyboard and display or with data transfer via the serial interface connector located on this CB.

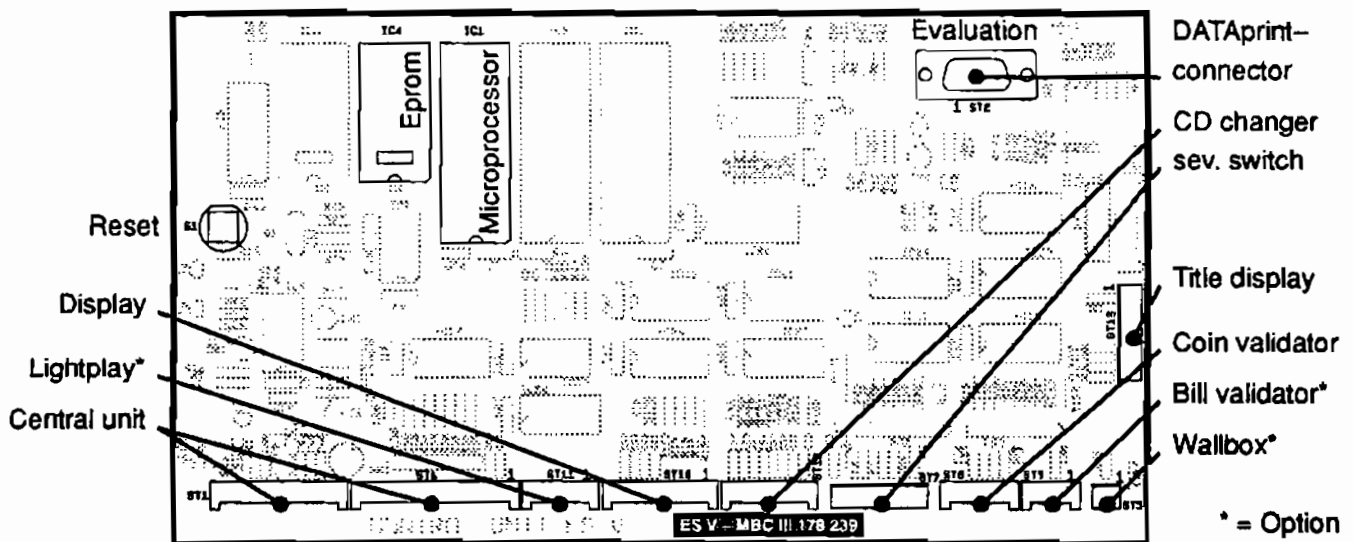
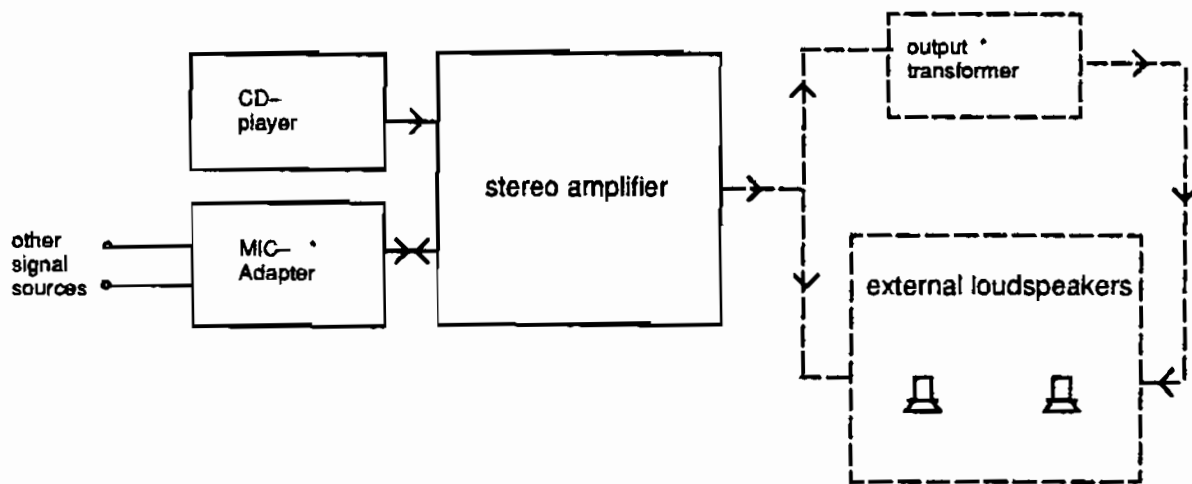


Figure 9: Structure of the Control Unit

Audio system

The audio system of this phonograph consists of the following main parts:

- CD player
- stereo amplifier
- output transformer



* = option

Figure 10: Structure of the main components of the audio system

CD changer

The CD changer used within this phonograph is the fastest 100 CD changer. This high quality product uses two CD storage magazines capable of storing max. 50 CDs each.

A simple locking mechanism is integrated to hold the two CD storage magazines.

Fold together the two halves of the handles (2) of each CD storage magazine.

Simply press the left button (1) to the left side and the right button (1) to the right side to unlock the corresponding CD storage magazine. Afterwards it will be released and you may take it out of the CD changer.

Refer to figure 11 to get familiar with this feature. You will need this knowlegde later when loading CDs.

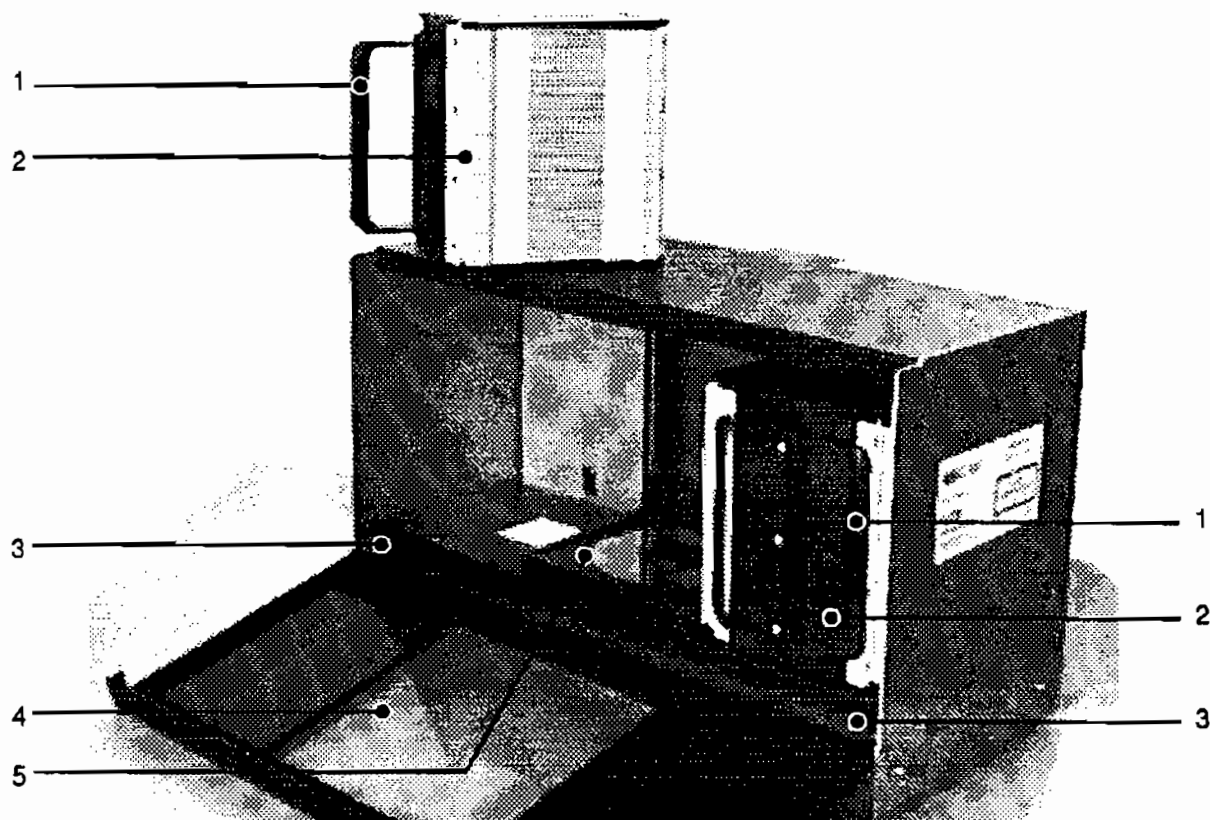


Figure 11: CD changer

The components are:

- 1 = Handle of the CD magazine
- 2 = CD magazine
- 3 = Locking lever for CD magazine
- 4 = Front door of the CD changer
- 5 = CD lift

Options and accessories

Description	Part-No.:
Infrared--Remote Control (with 5 m cable to receiver) The following functions are possible: Volume, Free credit, Reject muting and Background	177 491
Substitute connection cable 2m	170 266
Connection cable 5m	170 459
Connection cable 1,5m	171 883
DATApriint 3000 (with matrix printer, English version) For printing out the evaluation of the NSM phonograph statistics	118 504
DATApriint 3000 (German version)	117 310
DATApriint 3000S (with thermal printer, German version)	118 197
Wired remote control with 5 m cable	171 743
remote control with 20 m cable	172 077
This phonograph can also be controlled via a wired remote control. The following functions are possible: Volume, Free credit, Reject muting and Background	
Volume control , for operating outside of the phonograph 3 keys (Volume +/- and Reject) in a handy box with 0,5m connecting cable (4-poles, easy to extend if necessary).	170 212
Output transformer Extended possibilities for connecting more loudspeakers (parallel circuit). Less wire losses due to 70V-exit (also possible for 100V-systems).	177 450
MIC-Adaptor Use this MIC-Adaptor for connecting a dynamic microphone with an impedance of 200Ω-600Ω; Or connect a tape recorder /-player or an additional amplifier.	177 488
Microphon , with paging switch (without cable)	224 223
Connecting cable 10m, assy. with plug and socket for microphon	171 880
Connecting cable 20m, assy. with plug and socket for microphon	172 187
Plug for MIC-Adaptor	225 260
Socket for microphon	225 758
Key-Switch serves as protection against unauthorized calling up of free credits and switching on the background mode.	177 486
Cash counter Electro-mechanical cash counter for counting the monetary value settings.	173 348
Connection unit (25V-Transo with Wallbox Adaptor) for stand alone phonogr.	173 985
for connection of selector-wallboxes) for wall mounted phonographs	173 996

Technical data of the phonograph

Electrical Data

Mains voltage:		100–260 V (variable), 50/60 Hz
Power consumption	stand by	170 W
	play mode	350 W
Music power	4 Ω load	2 x 200 W
Sine wave power	4 Ω load	2 x 125 W RMS (Sinus)

Lighting

Fluorescent lamps	4 W / 8W /13 W
Lamps	12 V / 2 W

Dimensions

Height	1005 mm = 39,6 inch
Width	650 mm = 23,8 inch
Depth	360 mm = 14,2 inch

Weight nearly 83 kg = 170 lbs

Credit / Cash Input

Maximum credit display is 99.

Price list adjustable.

Free credit adjustment / permanent credit.

Keyboard

10 number keys	0–9
1 correction key	"C"
1 hit–step key	"H"

Displays

Display 1 with 4 seven–segment LED's

Display 2 with 2 seven–segment LED's

Display 3 with 4 seven–segment LED's

1 lamp display each for "10 top hits", "background", "credit", "your selection", and "error, press key "C"

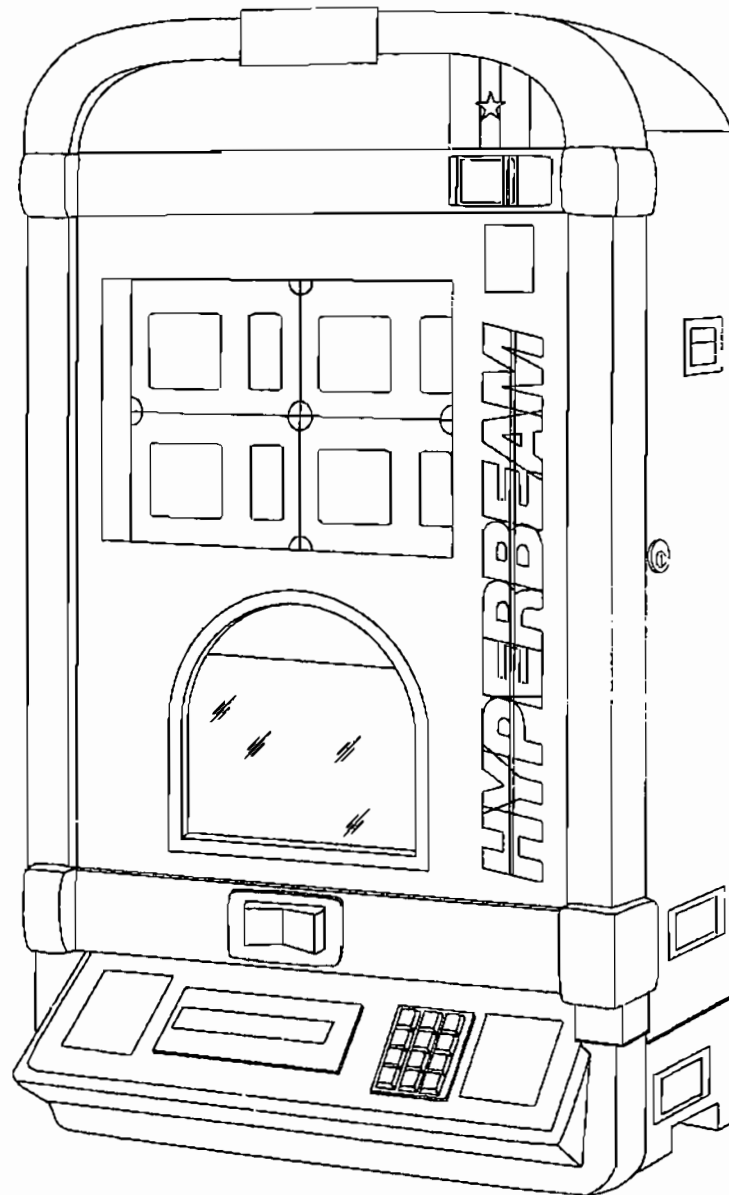
CD changer

NSM CD changer for up to 100 CD's. Disc–player: Philips CD–player unit.

Special Features

Computer–controlled amplifier protection for overload (mismatch).

PERFORMER WALL 2000



Inbetriebnahme/ Set-up
Installation de l'appareil

3

Section 3 Installation of the phonograph

This section describes how to set up the phonograph. You will get information about mains connections, loading CDs, and title display. When you have finished this section correctly your phonograph should play every selectable title after insertion of enough coins for credits.

Important

To protect your phonograph or any connected device from any damages please regard:

Before you connect any device, or before you make any changes to the connection between the phonograph and a device, please make sure to switch off the power supply of the phonograph and any connected device (i.e. external audio amplifier). Otherwise damages may be caused to the phonograph and/or the connected device(s).

Connecting the phonograph to the mains voltage

Note: Check mains voltage before connecting the phonograph!

The label placed on the rear side near the power connector shows the factory setting of the mains voltage.

On mains voltage fluctuation of $\pm 10\%$ the phonograph operates correctly.

On higher mains voltage fluctuation you have to add a voltage stabilizer having a power output of 500 VA (Watt) at minimum.

On permanent higher under voltage or over voltage and for other desired voltage settings you have to re-wire the mains transformer of the phonograph → see wiring diagram sticker near the transformer.

The wiring of the ballast for the fluorescent illumination must not be changed!

If you have changed any voltage setting then you have to note this new setting to the label on the rear side near the power connector.

The green-yellow wire of the three-wire power cord must be connected to the ground according to the international safety code.

The power switch is located at the rear side of the cabinet. After having established the necessary connections, switch on the phonograph. The fluorescent lights should now light up.

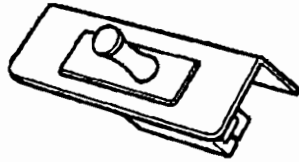
The phonograph is ready to operate now.

The next step is to load several CDs into the CD changer.

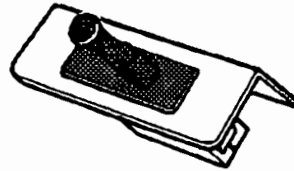
Loading CDs into the CD storage magazines

Open the phonograph if not already done.

In order to avoid movement of the lift (attract mode) while working within the CD changer pull out the service switch. Now the phonograph is in service mode.



Pressed in = Attract mode



Pulled out = Service mode

Figure 12: Positions of the service switch

Fold forward the front door of the CD changer. The magazines are equipped with tilting handles; simply fold the two handles to the front if you wish to take out a magazine.

Remove the right-hand storage magazine by holding it with your right hand and pressing the right-hand knob to the right side. The magazine audibly jumps out of the lock.

Remove the left-hand storage magazine by holding it with your left hand and pressing the left-hand knob to the left side. The magazine audibly jumps out of the lock.

Remove a number of CD trays corresponding to the number of CDs you wish to insert into the magazine. **Always place the CDs face up (label up) into the recess of each tray, and thereupon slide the tray into the first available slot of the magazine.**

Always place CD face up

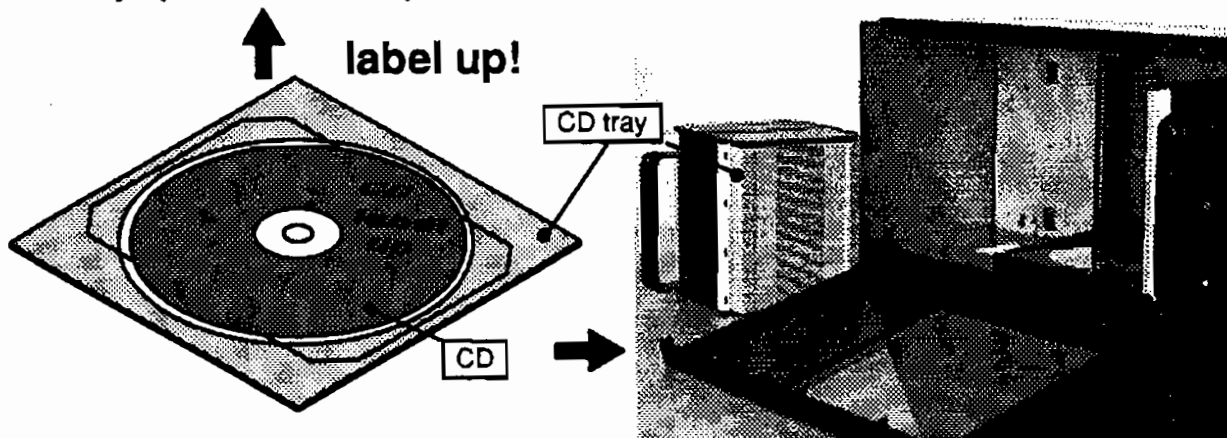


Figure 13: Placing CDs into CD trays

Note: CDs have to be placed label up into the CD trays. Otherwise the CD changer may cause an error when accessing an incorrectly inserted CD.

When re-inserting the magazines take care that each magazine locks audibly with a slight bump in the locking device. If you don't push in the magazine strong enough, a disfunction of the CD changer may result herein!

Note: Due to the CD magazine's construction they can be transported outside the CD changer without any special transportation securities. Only when treated too rough the CD holders will be falling out of the locking devices within the magazine.

Please don't store or transport magazines head foremost.

Loading title holders into the title display

The title display is designed to show up to four CD covers at a time. In case of a limitation of selectable CDs by programming P042 (refer to chapter **Programming of the phonograph**) only the corresponding title holders are shown. You can insert CD covers and title strips for up to 100 CDs maximum. The following procedure describes how to prepare the CD covers and the title strips for loading into the title holders. Loading of **black** title holders should be done as follows:

Remove title pockets from the accessory package, insert the CD covers on the left side and the written title strips on the right side into the title pocket. **Put the thicker foil side of title pocket to the outside.** Then insert the title pocket into black title holder. If the covers are bigger than 120x120 mm, they need to be cut to size – please use only the title page of the album cover.

The title holders are moved by pressing the rocker button at the right hand side (or the "TL" or "TR" buttons placed on the circuit board) of the title display unit.

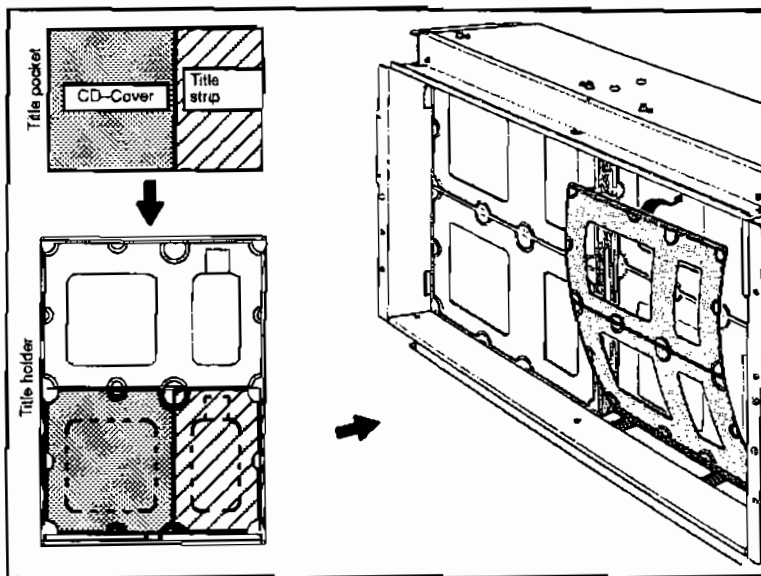


Figure 14: Loading of title holders

Take care of the placement of the title holders. They must stay inserted in a specified sequence to guarantee a synchronous movement and correct display of titles corresponding to the CD number. In case of dislocation of title holders due to rough transportation, please refer to the following figure to reorganize the sequence of it. See also figure 15.

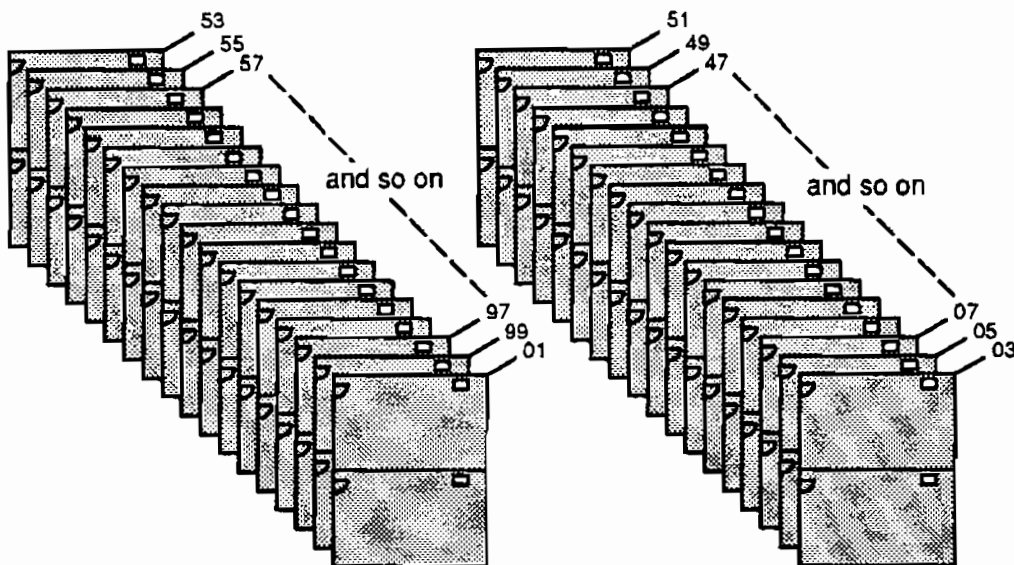


Figure 15: Sequence of title holders

Additional titles strips and title pockets can be ordered using the following ordering informations:

TITLE STRIP Part-No. 219 185

TITLE POCKET Part-No. 212 509

Checking and synchronizing the title holders

If no motor transport is possible due to a blocking, you have to take out all title holders up to the blocking.

After blocking remedy you have to reinsert the title holders in correct order.

When all title holders are removed and the motor has turned, the synchronization has to be readjusted. During insertion of the title holders it is important that the pin of the counter wheel is positioned exactly in the center of the opto coupler "sync" (I). The belt drives for the title holders have to be in their end position (II). If this is not the case, one of the service buttons TL or TR has to be pressed until position I and position II are reached.

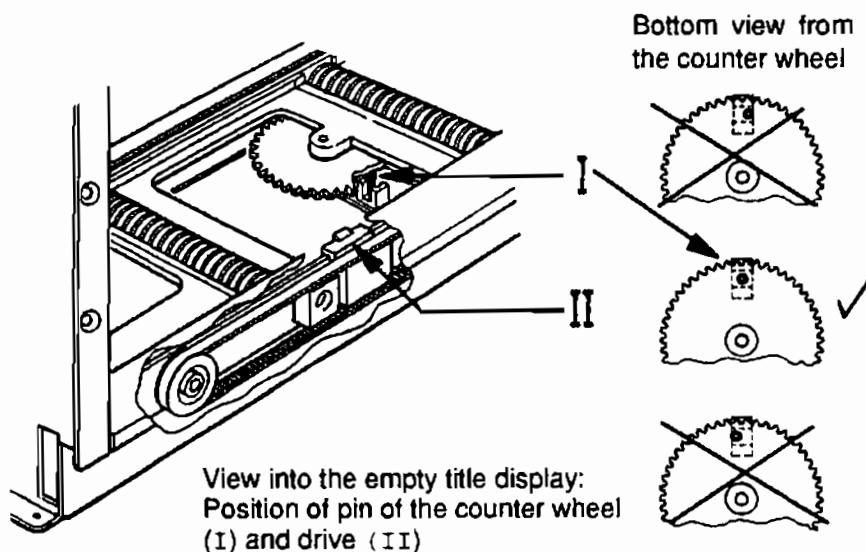


Figure 16: The synchronisation mark of the counter wheel

Now the synchronization corresponds to the position of the title holders. The title holders have to be inserted into the worm drives starting from the rear end. In order to do this the title holders have to be bent slightly forward in the center until they fit in the guide. Refer to the illustration in figure 14. It should be started at the left rear end with "53" then "55", "57" etc. until "01"; on the right hand side start with "51", then "49", "47" until "03" (see figure 15).

Note:

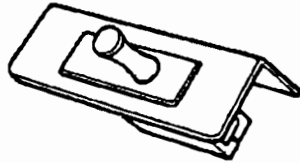
Special care has to be taken during insertion that the first title holder has to be inserted into the last slot of the worm drive of the title indication. The next holder has to be inserted into the next slot directly in front of the previous. If you have accidentally skipped one slot, all following title holders have to be removed again.

A problem with the title display will initiate error code "ER 9x" appearing on the display on the front of the phonograph. Refer to the Service Manual to get more information about error locating or trouble shooting.

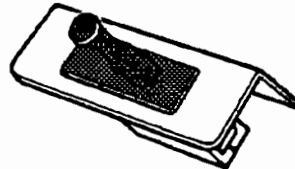
Memorizing the titles of the loaded CDs to the control unit

The memorization of the title information of the equipped CDs takes place within service program step P160.

If the phonograph is not yet in service mode,
open the cabinet lid (door) and
pull out the service switch



Pressed in = Attract mode



Pulled out = Service mode

Now the phonograph is in service mode. The display shows e.g.:

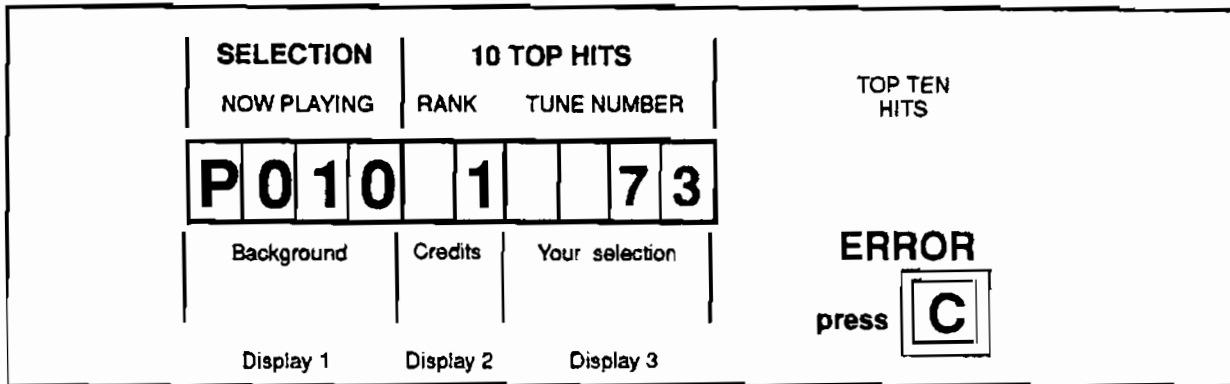


Figure 17: Display after entering the service mode

Perform the following steps in order to start the initialization:

press "C"	display shows P_____
enter P160	display shows P160
press "H" and "0"	to start the memorization

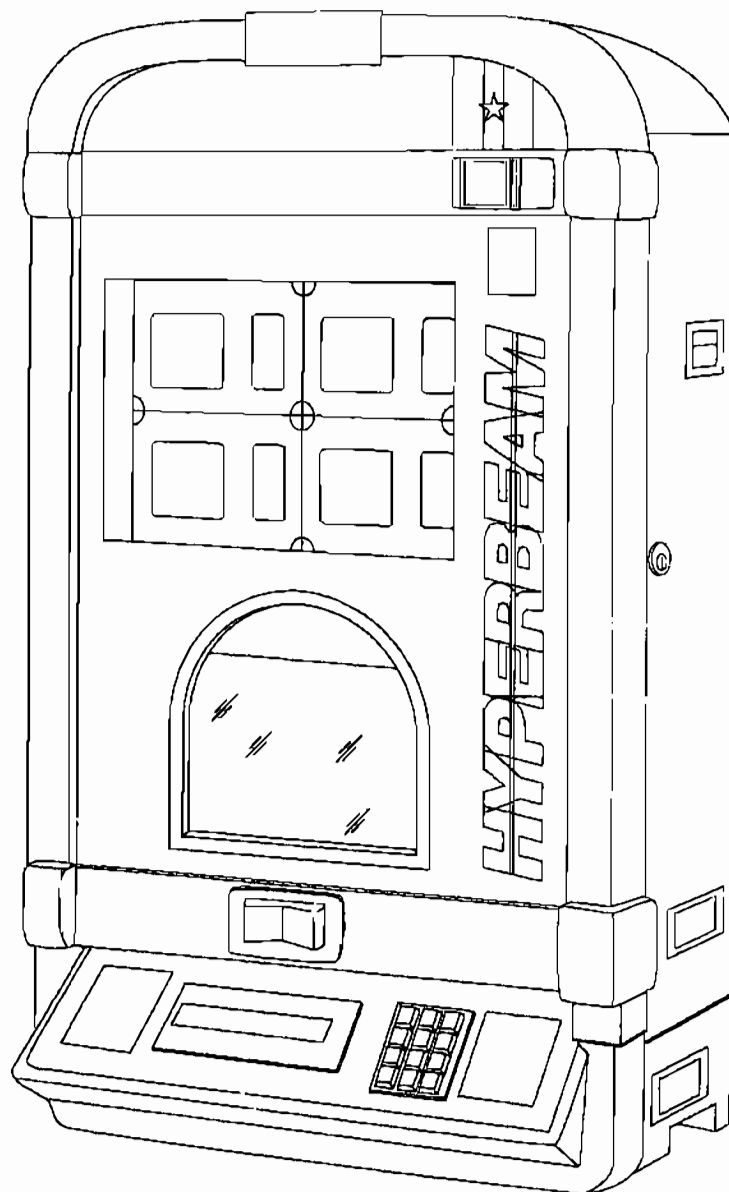
The control unit then checks every tray, one after another, of both CD storage magazines to read the information from the inserted CD concerning the number of tracks.

Note: The control unit searches all CD trays up to the number of CDs specified in P042. The factory setting of the value in P042 is 0024, which means 100 CDs with 24 tracks each. If you have not installed 100 CDs, you must first change the number of accessible CDs in P042. The number of tracks is calculated automatically with P160 afterwards.

Take care that you do not leave CD trays empty from the last tray (for CD no.100) downwards.

After starting the initialization routine the phonograph needs some time (up to 20 minutes) to check all CDs. During this routine you may close the cabinet door. The phonograph returns automatically to the normal play mode after finishing the initialization procedure.

PERFORMER WALL 2000



Bedienung/ Grundfunktionen/ Basic
operation/ Service de l'appareil

Section 4 Basic Operation

Changing the price – and monetary value settings

The following text is a short description of the program steps P060 to P066 respectively P070 to P075. The detailed description and corresponding tables are contained in chapters "Price Settings" and "Monetary Value Settings" in section 5: "Programming".

Programming the price settings, that means plays per price

Practical example for setting the price settings: 1 play = 25 c
 2 plays = 50 c
 5 plays = 1 \$
 no discount for album selection

Table 1: Programming of price settings

Programming Information	Action of the operator	Displays		
		1	2	3
Call up the service mode of the phonograph	pull out the service switch	P010	_1	__73
			Play	price
Clear display and enter the following commands:	C	P	__	__
Direct selection of a command, display of previous setting in P061.	61H	P061	_1	0100
New setting in P061 "1 play/25c".	010025	P061	01	0025
Confirm setting and advance to next command, display of previous setting in P062.	H	P062	_1	0100
New setting in P062 "2 plays/50c".	020050	P062	02	0050
Confirm setting and advance to next command, display of previous setting in P063:	H	P063	_3	0200
New setting in P063 "5 plays/1 \$".	050100	P063	05	0100
Confirm setting and advance to next command, display of previous setting in P064:	H	P064	03	0200
For only 3 price classes setting is "0".	0	P064	__	__0
Confirm setting and advance to next command, display of previous setting in P065:	H	P065	03	0200
For only 3 price classes setting is "0".	0	P065	__	__0
Confirm setting and advance to next command. display of current setting for P066 (album selection without discount).	H	P066	__	__1

After confirmation of a setting (e.g. for P062) the system automatically turns to the next program step (here: P063).

Caution! Press "C" key in the event of incorrect programming or when display flashes.

If you want to terminate the changing of settings you have to press the "C" key twice or close the cabinet door to return to standard operating mode (play mode).

Example of Programming the monetary value settings

Depending on the type of coin acceptor the individual coin channels must be programmed for the associated monetary values in the corresponding program steps. Unused channels must be programmed with the monetary value "0"!

1. Checking the monetary value settings: Select one program step between P070 and P075. After inserting a certain coin the channel associated with the coin is displayed, e.g. 50 cents in channel 2: display P072 0050.

2. Changing the monetary settings: As an example, the 25 cents slot (channel 1) is not to be used: First enter program step P071 as described above. In the coin acceptor or on the adaptor PCB of electronic coin acceptors the respective channel has to be blocked so that these coins drop into the coin return.

3. Standard settings: The programming of standard settings is done with the command P070 and entering the number of the desired table values (see table 8 "Monetary value settings" in section 5: "Programming"). The correct programming of all channels is done automatically after entering the number and pressing the key "H".

The way inserted coins are counted on an electronic cash counter is set to "monetary value /100" (P078 is set to "0").

Table 2: Programming the monetary value settings

Programming Information	Action of the operator	Displays		
		1	2	3
Call up the service mode of the phonograph	pull out the service switch	P010	_1	_73
Clear display and enter the following commands:	C	P	_	_
Direct selection of a command, display of previous setting in P071.	See text (2.)	P071	_	_500
New setting; no coin conversion within channel 1	0	P071	_	_0
Confirm setting and advance to next command, display of previous setting in P072.	H	P072	_	_500
If the standard setting according to the table of monetary standard settings is to be used thereafter, call up program step P070 (as described previously).				
Ready for standard setting P071 through P075	See text (3.)	P070	_	xxxx
Program entry "26" of the standard table (for USA electrical coin acceptor).	26H	P070	_	_26
Confirm setting and advance to next command:	H	P071	_	_500

Caution! Press "C" key in the event of incorrect programming or when display flashes.

If you want to terminate the changing of settings you have to press the "C" key twice or close the cabinet door to return to standard operating mode (play mode).

The "Credit" button

The phonograph also offers a so-called **free-credit button**, located below the mechanical coin acceptor or on the CB adaptor (see fig.17) with electronic coin acceptors. Action on this button is only possible when the phonograph is in service mode. Pressing the credit button once gives "1 free credit". Credits generated by pressing the credit button are not registered statistically.

Settings for the coin mechanism with electrical coin acceptor MARS

This phonograph can be equipped with an electrical coin acceptor. Then 4 or 5 different coins will be checked depending on the type of the coin acceptor installed.

The three sensors in the validator register each separately thickness, material quality and diameter of each deposited coin. If a deposited coin has passed the sensors, the measured data are compared with the stored information of valid coins (PROM).

If validation criteria are identical with a data set of the PROM, an internal "valid" signal is produced. Depending on the coin value it is sent as output signal A1 to A5 to the plug of the CB ADAPTOR. From there the signal reaches plug ST8 of the control unit. Refer to figure 18 and compare the following informations.

The monetary value settings of the individual program steps are assigned to corresponding output signals:

- P071 to signal A1 or A5 *
- P072 to signal A3
- P073 to signal A4
- P074 to signal A2

*depending on position of jumpers A5/1 and A5/5 the signal A5 of the electrical coin validator is assigned to P071 or P075.

Note: When inserting a coin during program steps P070 to P075, the program step assigned to this coin is automatically represented in display 1.

The monetary values are programmed in monetary value units:
 "0100" ^ 1,- \$, "025" ^ 25c, "0050" ^ 50c.

To avoid misuse or manipulation non-used channels are to be programmed with "0"
 Non-used channels also can be blocked mechanically. For this purpose the bridge of the corresponding channel (IA1 to IA5 on the CB ADAPTOR) has to be disconnected.

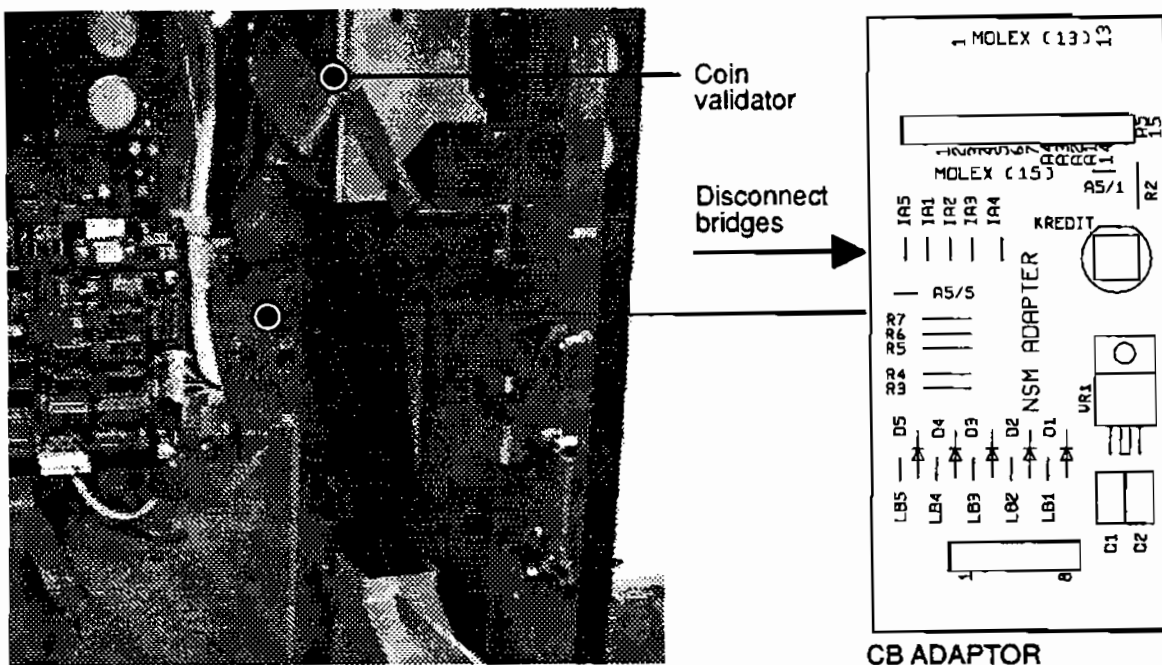


Figure 18: CB Adaptor

Summary of programmable features

This phonograph is equipped with a wide functional "Service Program" to allow a lot of individual settings.

In the following we only give a short overview of the possibilities provided by the service program of the phonograph.

Play Mode

Your selection is stored temporary in the selection storage. After selection of a title the CD which is to be played is transported to the player and then played.

Just before the start, the number of the title is shown on display 1 ("selection now playing"). After the disc has been played, the display is cleared and the CD is transported back to its magazine space.

Note: If an error occurs within the CD changer or the player, "Er 7x" or "Er 6x" appears for 2 sec. Refer to the Service manual to get more information about error locating or trouble shooting.

To limit the playing time for a title (track)

By programming P045 the maximum time that a title is to be played can be set in minutes.

After expiration of this time the volume of that title is faded out and then muted.

If you program "0" (factory setting), there is no limit in playing time.

Sequence of playing titles

By programming P046 you can set the sequence of the selected titles.

Settings: 0 = in sequence of selection (FIFO)
 1 = in numerically increasing sequence
 2 = random sequence

To limit the playing of titles on the same CD

Using the programming of P047 you may define how many titles can be played consecutively on the same CD:

 0 = no limitation (play all titles of a CD)
 1-n number of tracks to play

Autoplay mode

A time interval can be set for playing incentive titles by programming the command P110 to P117.

Conditions for an incentive title to be played:

- Phonograph in standby mode
- No credit available
- Microphone switch not being used
- No muting

Attention!

When playing a test-CD, the description that comes with the test-CD should be followed exactly. However, do not give sine signals with peak signal "0dB" at full volume level to the loudspeakers for more than 1 sec.

Other unfiltered noises and high-frequency signals (which are only used for measuring purposes) can also damage the amplifier and loudspeakers at full volume.

When checking channel separation, it has to be verified that the box is not switched to "Mono-mode" (refer to **Mono mode operation**).

Credits

Credits remain stored during "power off/on" (P049 = 0).

If the control unit detects no activity on the phonograph within a set time, the stored credit is cancelled (P049 = time). Free credits can be programmed with program steps P090 to P094. Factory setting is: no free credits.

Title display

By pushing the rocker button on the front door, respective title holders are moved into the corresponding direction. Upon each key operation four new CD covers including title strips are shown. If selectable CDs have been limited by programming with program step P042 only the corresponding title holders are shown.

Background Music

You also have the possibility to play music in the background. In order to encourage the public to make selections, background music can be programmed to be active on specified days and times. This mode is interrupted every time a selection is detected.

Advertising

With the program steps P120 to P127 of the service program it is possible to define time slices for playing special CD's containing advertising information (ad).

While the ad-mode is active a title is played every n minutes (n is the time defined in P124) after the currently played title. The CD's containing ad can be selected for "not to be played by normal customers" (P126).

Lock-out titles

If one title of a CD is bad it can be locked out for a defined time for every single day by programming the steps P130 to P135 of the service program.

A lock-out title can be defined by

- bad quality of reproduction, bad track within the title
- shocking information.

Happy-Hour credits

Happy-Hour can be programmed to be active during several days. The programming of Happy-Hour is done with steps P140 to P144 of the service program.

When active an additional bonus credit is given if the customer has payed for a number of credits (defined as calculation number in P144). For example: after 5 payed credits one Happy-Hour credit is given if the calculation number is programmed as 5.

Service and maintenance

With the program steps P150 to P164 a service technician has the possibility to

- read out errors of the phonograph including CD number and date of appearance,
- test the CD changer,
- test the CD player,
- test the lamps and keys,
- install new CDs
- remove bad or not-up-to-date CDs.

Adjustments with Remote control

The phonograph can optionally be equipped with cable-type remote control or infrared remote control. All functions and the operation of both models are identical. Therefore, this description is valid for both of them.

The buttons "+" or "-" attached to the rear of the cabinet allow a common adjustment of volume for both channels. By pressing "REJECT" you can return the CD actually playing. These three functional buttons attached to the phonograph correspond to the function of the buttons I+II, and REJECT on the remote control.

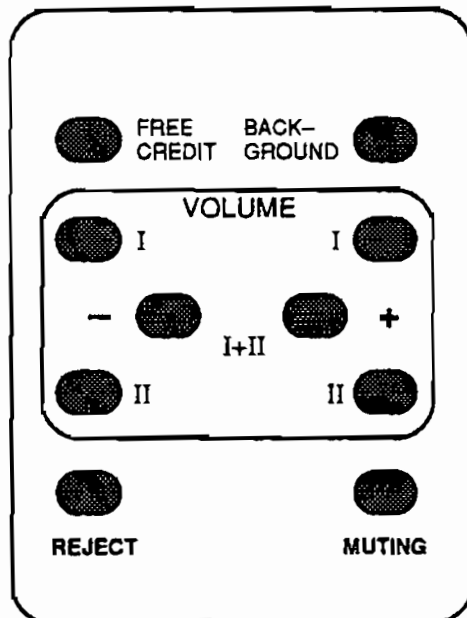


Figure 19: Remote control

Volume controls

We differentiate between two volumes:

- The "normal volume" of selected titles and random play titles
- The "background volume" of background titles

For selected titles and random titles or with microphone and tape mode the corresponding volume is adjustable; background volume only with background mode. The keys have the following meaning:

- Keys "I" for the left channel
- Keys "II" for the right channel
- Keys "+" (laterally attached) for increase of volume
- Keys "-" (laterally attached) for decrease of volume

When pushing the center keys "I+II" (red) the channels are regulated together. If they were differently set, they are first "balanced" and regulated together.

When no selection is taking place, the volume for the channels is shown on display 3 during the adjustment in steps of "1" to "31".

While "Muting" is active the message "OFF" appears in display 1. No more titles will be played until "Muting" is cancelled by pressing "Muting" again.

The last volume set is stored during "power off".

The maximum possible volume for normal and background mode can be limited by programming P051 and P052 in steps of "1" to "31".

Note: To protect the amplifiers a check is made whether an overload occurs due to mismatching. Upon recognition of an error the volume of the corresponding channel is reduced step by step automatically by the computer until a non-critical point is reached.

The volume of both channels can be set to "0" by pressing the key "MUTING". The message "OFF" appears on display 1. Another pressing of the key "MUTING" or pressing one of the "VOLUME +" keys causes the system to switch back to the previously set volume for both channels.

Note: With display "OFF" no more records are played until "Muting" is cancelled.

Free credits

Free credits programmed in program step P094 can be called up. The following free credits are possible depending upon the settings in step P094:

- Number of set free credits can be called up individually one by one
- Unlimited free credits can be called up individually one by one
- Permanent credit (free play) when pressing key "FREE CREDIT" for the first time (credit display "99"). When key "FREE CREDIT" is pressed again, permanent credit is blocked
- Permanent credit automatically within the time window

By using the program steps P091 to P093 a time window can be defined. While this time window is active free credits can be called up.

If no time window is defined any number of free credits can be called up.

By setting the program step P095 you can define that free credits (1-99) can be called up automatically every day or weekly.

Background music

The background mode can be switched on with the "BACKGROUND" key. The lamp "Background playing" lights upon the display panel. When pressing this key again, the background mode is switched off.

In the background mode up to 20 "random" records are played as defined in P105 and P107.

The time at which background music is to be played can be set in P101 to P103.

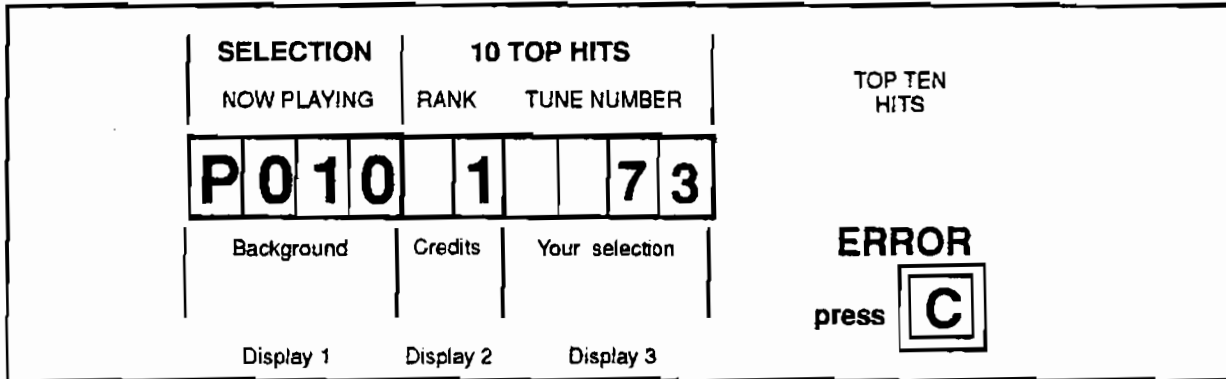
The records are played at a "specific" background volume which can be changed with P052.

If a CD is selected by the audience while background music is playing, this interrupts the background disc and the selected disc (title) is played at "normal volume".

Changing CD's

How to change CD's

- "REJECT" a still playing CD.
- Open the phonograph and pull out the service switch to enter the service mode. Display 3 automatically shows the least played CD.



- By pressing key "1" repeatedly, each time the number of the next best CD is displayed.
- Open the CD changer. Take out the corresponding CD. Pull out the selected CD trays of the CD's to be exchanged and change CD's. After changing a CD push back CD tray until it locks in. Close the changer after having changed the last CD.
- The title information of the new inserted CD's must be read into the phonograph by using the command P161. You may also use P160 if you have finished the service mode.
- Change corresponding title strips, unlock title display unit and fold down carefully. Put the desired title strips and covers in position. If necessary move the title holders by pressing the rocker button at the right-hand side of the title display.
- After loading is finished call up P160. The read-in of all CD title information is continued after the cabinet lid is closed. If the read-in was completed the program automatically returns to the normal play mode.

Evaluation of the statistics

You should make a statistical evaluation of the phonograph at regular periods.

- "REJECT" a still playing CD
- Open the phonograph and pull out the push button (service switch) to enter the service mode. Display 3 automatically shows the least played CD e.g.: P010 __ __ 73
- Press key "C" to clear display. The display shows P _____. Enter the following commands for:
 - **Read counters:**
 - P010 and H = Popularity (P010 least played, P011 most played titles)
 - P012 and H = Hitparade (Top 10 Hits)
 - P013 and H = Cash total
 - P016 and H = Counter for plays
 - P017 and H = Number of selected titles
 - P018 and H = Number of selected albums
 - P019 and H = Number of overplay titles
 - P020 and H = Number of payed credits
 - P021 and H = Number of free credits provided
 - P022 and H = Number of background titles played
 - P023 and H = Number of autoplay titles
 - P024 and H = Number of advertisement titles
 - P025 and H = Number of Happy-Hour credits
 - P026 and H = Number of power-on hours of the phonograph
 - **Erase counters:**
 - P033, and selected code number:
 - 0 and H = delete all memory contents **ATTENTION!!!**
 - 1 and H = delete hitparade (P012)
 - 2 and H = delete popularity (P010)
 - 3 and H = delete all cash counters (P013 – 025)
 - 4 und H = delete credit memory
 - 5 und H = delete selections
 - 6 und H = delete error messages

You also have the possibility to make a printout of the statistical informations of the phonograph. Therefore you need the NSM DATAprint model statistics collector/printer, which is connected to the evaluation socket on the control unit of the phonograph.

Data transfer and storage with DATAprint

- "REJECT" a still playing CD
- Open the phonograph and pull out the service switch to enter the service mode. Display 3 automatically shows the least played CD e.g.: P010 __ __ 73
- Put in printer connector into the 9 pin socket "EVALUATION" of the Control Unit.
- Press key "C" to clear display. The display shows P _____.

Using a NSM DATAprint you can print out simple tables including statistical data (text mode) or graphically prepared statistical data (graphic mode).

Printout in text mode

- Enter 30H. the display shows P030 _____.
- Enter 0. Counters + Errors, as well as popularity are transferred into the DATAprint.

Attention: After successfully transferring the statistical data to the DATAprint the statistical data are erased in the phonograph when you close the lid (door).

```

08.02.94 / 09:46 V0.104
DATENSATZ: ..... 5

*NSM*
BOX ES V ..... V.0104

BOX-ANALYSE:
BOX.NR. .... 0000
TIME ..... 15:06
DATE ..... 12.12.95

COUNTERS:
CASH ..... 87
PLAYS ..... 64
TITLE-SELECTIONS ..... 7
ALBUM-SELECTIONS ..... 0
OVERPLAYS ..... 0
FREE PLAYS ..... 8
BACKGROUND PLAYS ..... 49
AUTO PLAYS ..... 0
ADVERTISE PLAYS ..... 0
HAPPY HOUR CREDITS ..... 0
POWER-ON HOURS ..... 17

POPULARITY:
CD:
001, 092, 085, 072 240, 005
006, 086, 096, 072, 090, 084
011, 141, 084, 066, 180, 085
016, 076, 001, 008, 100, 072
021, 005, 032, 193 002,
026, 072, 100, 060, 111
031, 061, 216, 061, 031, 007
036, 004, 016, 038, 087
    
```

indicates that this is the 5. data set in the DATApriint.

Version of the phonograph software.

BOX-ANALYSE: indicates to which phonograph this print-out belongs. Also date and time of printing are shown.

COUNTERS: shows the contents of the listed counters.

POPULARITY: shows the number of plays of each CD (5 CD's per row). Not played CD's have no entry. All 100 CD's are listed.

```

081, 066, 084, 066, 016, 068
086, 004, 106, 082, 016, 088
091, 006, 120, 016, 090, 090
096, 122, 066, 069, 106, 084

HITLIST:
RANK CD TRACK PLAYS
1 .... 0101 ..... 7
2 .... 5101 ..... 4
3 .... 1701 ..... 2
4 .... 3201 ..... 2
5 .... 0601 ..... 2
6 .... 0201 ..... 1
7 .... 0301 ..... 1
8 .... 0401 ..... 1
9 .... 0501 ..... 1
10 .... 0701 ..... 1

ERRORS
NO.CODE TIME DATE
NO ERRORS!

COLLECTIONS:
NO ... DATE ... TIME
... CURRENT COLLECTION
18 .... 14.12.95 . 15:06
... LAST COLLECTIONS
17 .... 13.12.95 . 10:09
16 .... 12.12.95 . 13:14
15 .... 11.12.95 . 15:31
14 .... 10.12.95 . 11:45
13 .... 09.12.95 . 16:01

-END-
60751 BYTES FREI
    
```

HITLIST: shows the TOP 10 of the hitlist of this phonograph
Format: Rank-CD-Track-Plays

ERRORS: shows the last 20 errors as CODE with date and time.

COLLECTIONS: shows the current and the last 5 collections with date and time.

-END- indicates the end of this printout. The following number shows the available storage capacity of the DATApriint 3000.

Figure 20: Sample printout in text mode, generated on DATApriint 3000

Printout in graphic mode

- Enter **31H**. The display then shows **P031** _____.
- Now enter the code for the desired printout:
 - 0** = complete information
 - 1** = all cash counters
 - 2** = all counters
 - 3** = settings
 - 4** = popularity
 - 5** = hit parade of all titles of this location
 - 6** = last 20 error messages

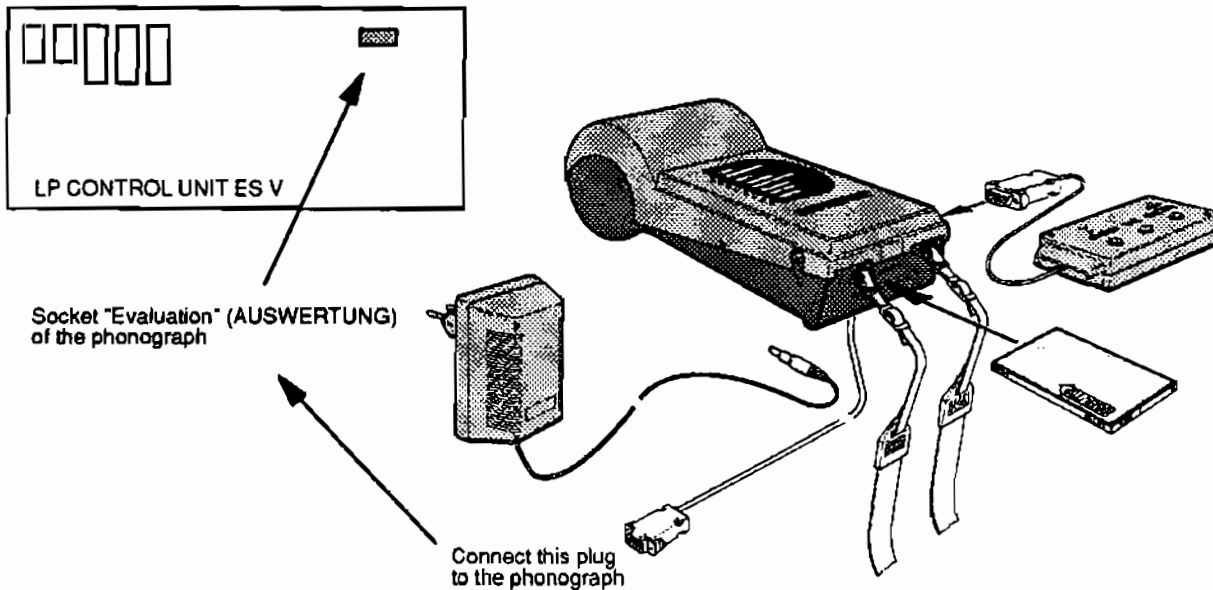


Figure 21: Evaluation unit NSM DATAprint

Note: If an error occurs during data transfer or if the printer does not start, "E0" appears on display 3. When a popularity counter has reached value 256, all popularity counters are divided by half. After dividing, the popularity printed out is relative. The number of divisions appears in the printout e.g.: "RELATIVE 5". This division is also made for the HITLIST.

Attention: After finishing the graphical printout you must clear the statistical counters separately using P033, because they are not cleared automatically after closing the lid (door).

BOX ES V V.0104
BOX-ANALYSE:
 BOX.NR. 0000
 TIME 15:06
 DATE 12.12.95

COUNTERS:
 CASH 0
 PLAYS 0
 TITLE-SELECTIONS 0
 ALBUM-SELECTIONS 0
 OVERPLAYS 0
 FREE PLAYS 8
 BACKGROUND PLAYS 49
 AUTO PLAYS 0
 ADVERTISE PLAYS 0
 HAPPY HOUR CREDITS 0
 POWER-ON HOURS 17

BOX-STATUS:
 BOX-CODE 0
 CDS/TRACKS 0024
 STANS-BY-LIGHTINGS 1105
 ACTIVE LIGHTINGS 1000
 MAX.TIME/TRACK 0
 ORDER OF PLAY 0
 TRACKS IN A ROW 0
 TITLE DISP.PERIOD 0
 CLR CREDIT 2
 CLR SELECTIONS 2
 MAX.VOLUME 31
 MAX.BGM-VOLUME 16
 MAX.MIC-VOLUME 0

PRICE SETTINGS:
 P6X PRICE ! P7X VALUE
 1 1 0100 ! 1 100
 2 1 0100 ! 2 500
 3 3 0200 ! 3 200
 4 3 0200 ! 4 0
 5 3 0200 ! 5 0
 ALBUM SETTING 1
 BILL BONUS 0
 MONEY CONVERSION 0

FREE CREDIT SETTINGS:
 START TIME 00:00
 STOP TIME 00:00
 ACTIVE ON DAYS 0000000
 FREE CREDITS 200

BGM SETTINGS:
 START TIME 00:00
 STOP TIME 00:00
 ACTIVE ON DAYS 0000000
 LOCK FOR BGM 0

AUTO PLAY SETTINGS:
 START TIME 00:00
 STOP TIME 00:00
 ACTIVE ON DAYS 0000000
 AUTO PLAY PERIOD 0

ADVERTISEMENT SETTINGS:
 START TIME 00:00
 STOP TIME 00:00
 ACTIVE ON DAYS 0000000
 ADVERTISEMENT PERIOD 0

LOCK OUT SETTINGS:
 START TIME 00:00
 STOP TIME 00:00
 ACTIVE ON DAYS 0000000
 ACTIVATE LOCK 0

BOX-ANALYSE:
 indicates to which phonograph this print-out belongs. Also date and time of printing are shown.

COUNTERS:
 shows the contents of the listed counters.

POPULARITY:
 shows the number of plays of each CD. Numbers >120 are not shown.

BOX-STATUS:
 shows the actual setting of P041 to P052.

PRICE SETTINGS:
 shows the actual setting of P061 to P077.

HITLIST:
 shows the TOP 10 of the hitlist of this phonograph. Format: Rank-CD-Track-Plays

FREE CREDIT SETTINGS:
BGM SETTINGS:
AUTO PLAY SETTINGS:
ADVERTISEMENT SETTINGS:
LOCK OUT SETTINGS:
HAPPY HOUR SETTINGS:
 show the actual settings of P091 to P144.

ERRORS:
 shows the last 20 errors as CODE with date and time.

COLLECTIONS:
 shows the current and the last 5 collections with date and time.

HAPPY HOUR SETTINGS:
 START TIME 00:00
 STOP TIME 00:00
 ACTIVE ON DAYS 0000000
 HAPPY HOUR BONUS 0



HITLIST:

RANK	CD	TRACK	PLAYS
1	0101	7	7
2	5101	4	4
3	1701	2	2
4	3201	2	2
5	0601	2	2
6	0201	1	1
7	0301	1	1
8	0401	1	1
9	0501	1	1
10	0701	1	1

ERRORS:
 NO.CODE TIME DATE
 NO ERRORS!

COLLECTIONS:

NO	DATE	TIME
CURRENT COLLECTION		
18	14.12.95	15:06
LAST COLLECTIONS		
17	13.12.95	10:09
16	12.12.95	13:14
15	11.12.95	15:31
14	10.12.95	11:45
13	09.12.95	16:01

-END-
 48153 BYTES FREI

Figure 22: Sample printout in graphic mode, generated with DATAprint 3000

Connecting loudspeakers

Stereo mode

The connection wires of the loudspeakers are led through the opening in the rear side of the cabinet to the inside and then to the connection terminals of the output stage.

The polarity ▼ must be maintained because otherwise bass reproduction would nullify itself!

The stereo amplifier of this phonograph provides an output of 200 W music power at 4 Ω per channel (= 125 W RMS). Take care that the total impedance of connected loudspeakers does not become less than 4 Ω.

Otherwise the amplifier would be "mismatched" and the overload protection would operate.

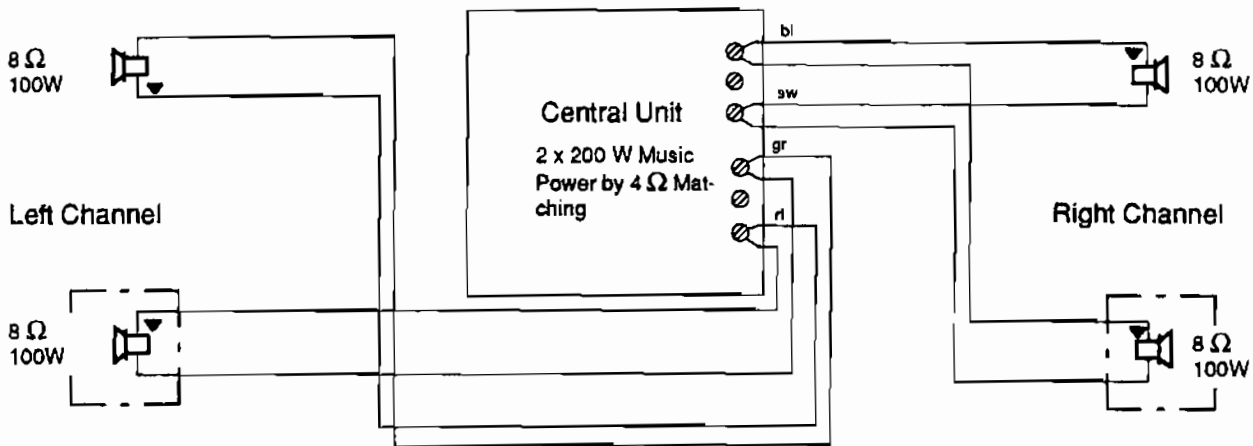


Figure 23: Stereo mode with normally connected loudspeakers

Connecting loudspeakers of higher impedance

If loudspeakers of a higher impedance are connected (refer to figure 24), a number of speakers can be connected parallelly. In that case, a loudspeaker of a higher impedance would naturally be lower in volume.

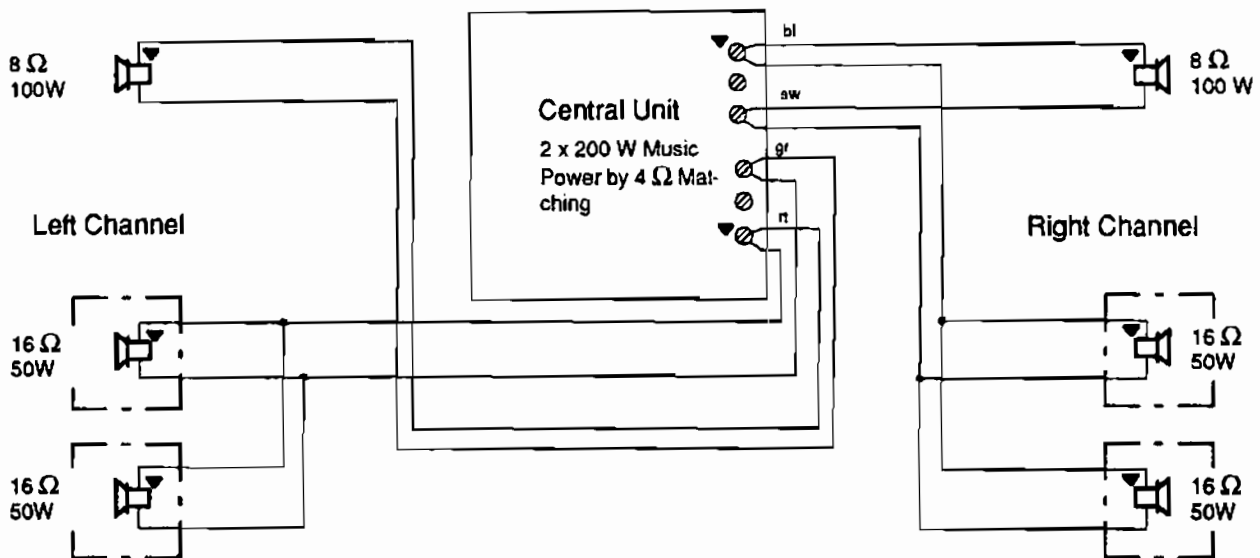


Figure 24: Stereo mode with connected loudspeakers of high impedance

Mono mode

Sound system for separate rooms

If the volume is to be controlled independently for 2 rooms (figure 25), the loudspeakers of the first room can be connected to one channel. The loudspeakers for the other room can then be connected to the second channel. The mode switch S1 located on the CB "CENTRALEINHEIT ES 5.1" has to be switched to "MONO" (refer to **Location of the mode switch**). In this case you have to adjust the volume of each room separately using program step P053 of the service program.

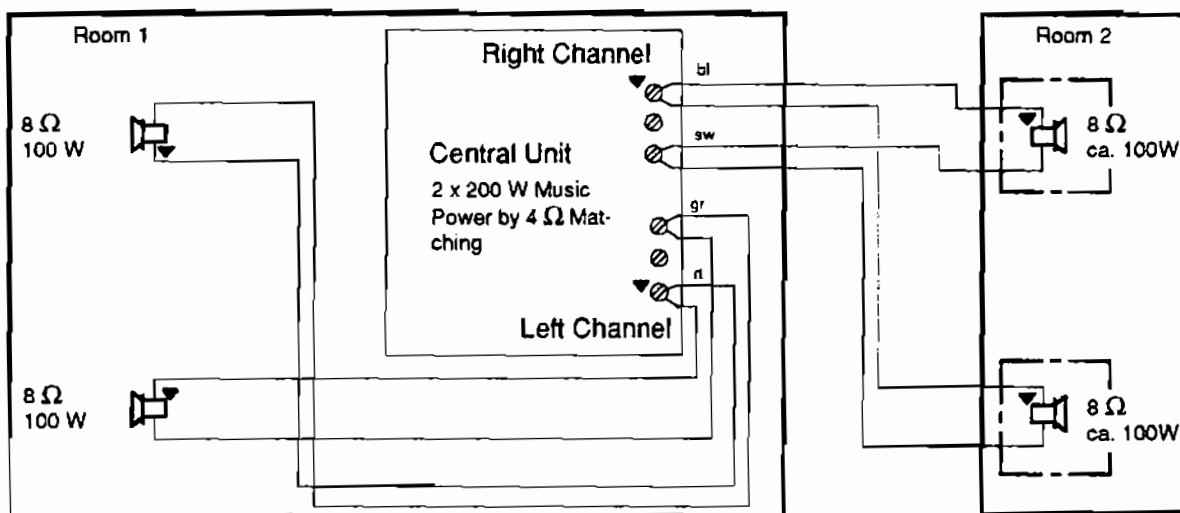


Figure 25: Mono mode with connected loudspeakers for seperated rooms

Mono mode with serial connected loudspeakers in one room

Take care that the total impedance of connected loudspeakers does not become less than 4 Ω. If you connect more loudspeakers in one room. If necessary you have to connect them in serial or parallel. Serially connected loudspeakers have less volume.

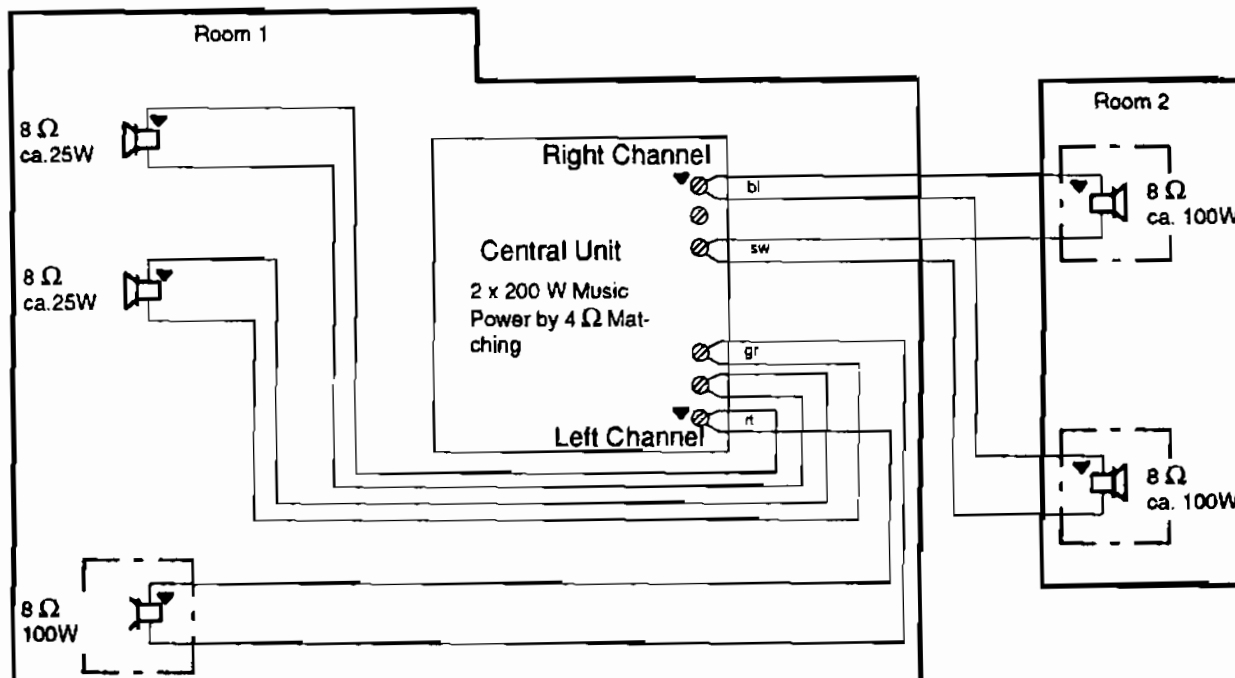


Figure 26: Mono mode with serial connected loudspeakers in one room

Adjustments for better sound quality

How to get best room sound:

Using the service program step **P054** you can adjust the phonograph's sound settings for different kinds of room sound effects.

Here treble and bass are set for both channels at the same time.

The changed setting is immediately heard.

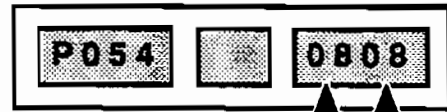
Key pad layout for sound setting:

▲ 1 more bass	▲ 2 more bass + treble	▲ 3 more treble
4 mean value	5 mean values	6 mean value
▼ 7 less bass	▼ 8 less bass + treble	▼ 9 less treble
C Cancel	0	H Step to the next command.

Example for moderately-absorbent rooms:

Enter: **P 054 H**

Change per pressing keys
i.e. key "8" = less bass and treble

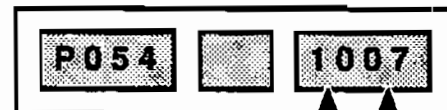


standard value of bass, treble

Example for non-absorbent rooms:

Enter: **P 054 H**

Change per pressing keys
i.e. Key "2" = more bass
i.e. Key "9" = less treble



value of bass, treble

Additional amplifier:

An auxiliary amplifier can be connected for independent stereo control of other rooms as well as for increased power requirements.

Location of the mode switch

NSM phonographs can be operated in different modes: stereo, mono or S-Stereo. S-stereo simulates a base wide sound system for better stereo sound effects. The mode switch S1 used for this purpose is placed on the CB CENTRALEINHEIT ES 5.1. Just move the switch into the desired position.

The factory setting of the mode switch is "STEREO".

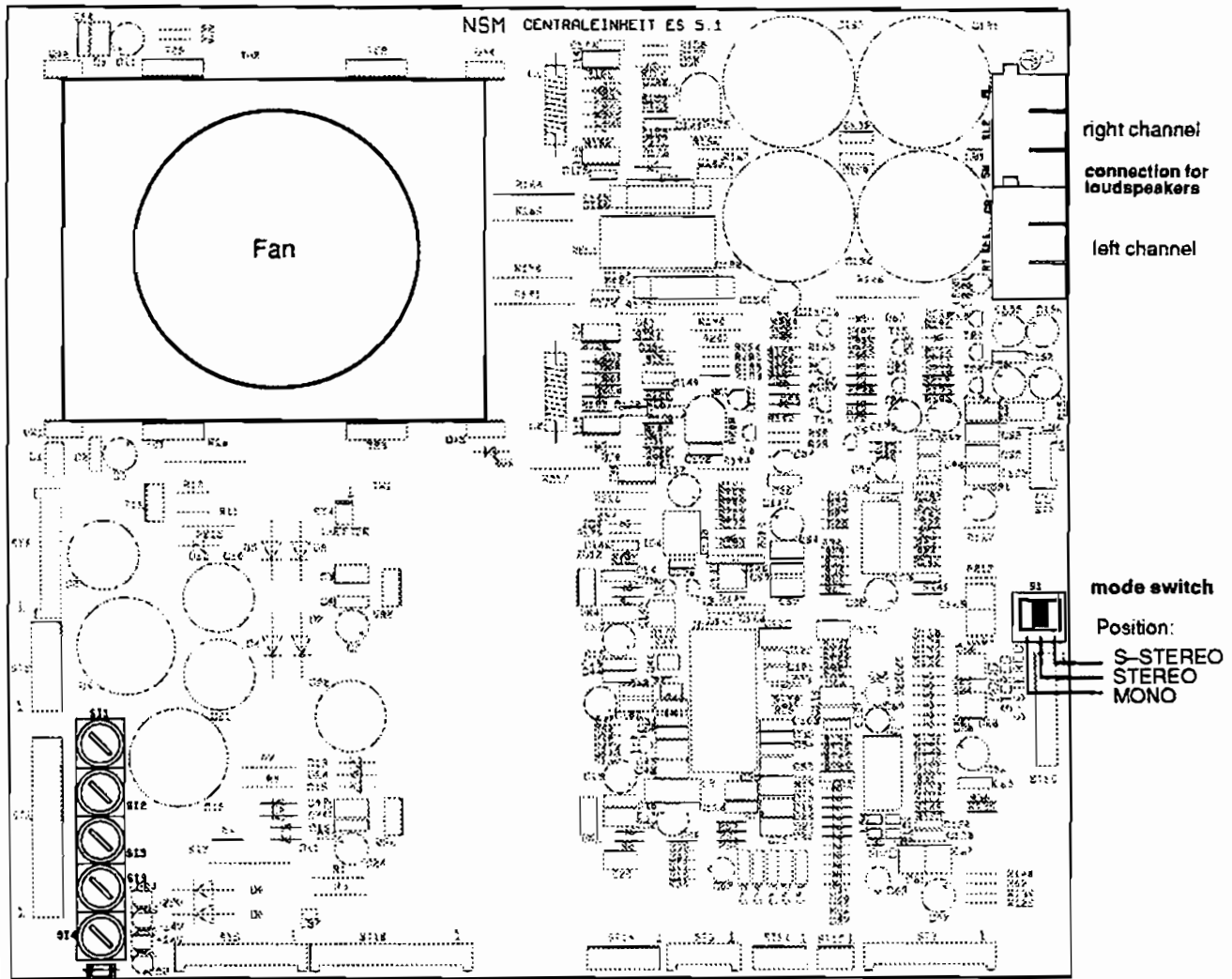


Figure 27: Mode switch S1 placed on the CB CENTRALEINHEIT ES 5.1

Connecting loudspeakers via output transformer

If you want to connect more external loudspeakers to the phonograph so that the total impedance will be less than 4 Ω , you have to connect the output transformer in order to avoid destruction of the output stage or distortions. See also the diagram "Loudspeaker Connection" at the end of this chapter.

Extension Loudspeaker Operation

To avoid a poor-sounding phonograph, take care when adding extension loudspeakers. Regard the following requirements:

- 1.) Loudspeakers must be wired in a way that the power consumed by the extension loudspeakers (including remote selectors) does not exceed the amplifier power rating.
- 2.) Extension loudspeakers should produce the desired sound level.
- 3.) All loudspeakers must be connected with the correct polarity.

Several tables have been included to assist you with connecting the extension loudspeakers. The diagram at the end of this chapter shows the entire sound system.

Low Impedance Loudspeakers

4 Ω -loudspeakers

No more than one 4 Ω -loudspeaker should be connected to one loudspeaker line. If several 4 Ω -loudspeakers are to be used, each loudspeaker should have its own line.

8 Ω -loudspeakers

Low impedance loudspeakers with 8 Ω can be used if the connecting cable is less than 100 feet long. The loss on 100 feet of connecting cable (type: AWG 18/0,75 mm²) feeding one 8 Ω -loudspeaker is 15 %. The loss for two 8 Ω -loudspeakers is 30 %.

Do not connect a low impedance loudspeaker to a loudspeaker tap that exceeds the loudspeaker's power rating.

70 V-loudspeakers

To avoid possible cable losses on long loudspeaker lines, 70 V-loudspeakers should be used as much as possible. The power level in the 70 V-loudspeakers is set at each loudspeaker with its internal transformer.

CAUTION:

In any loudspeaker installation, the sum of the power ratings of all loudspeakers must not exceed 250 W RMS (sine wave power, 125 W RMS per channel).

Music power: Often there are two values given as technical data of loudspeakers:

Besides the sine wave power (RMS) also the allowable peak load (music power) is given.

The music power can be calculated as follows:

Multiplying the sine wave power by the value 1.6 results in the value of the music power (e.g. 125W RMS x 1.6 = 200W music power).

Selecting loudspeaker power

General Instructions

This section will lead you through the process of selecting loudspeakers and their power consumption. This process consists of four major steps and several smaller steps. The major steps are:

- 1.) Identifying the extension loudspeakers and calculating their power.
- 2.) Making the external loudspeaker connections.
- 3.) Connecting diagram for output transformer.
- 4.) Checking the external loudspeaker connections (overload).

Defintion of extension loudspeakers and calculation of their power consumption

- 1) Use a pencil (you may want to revise your entries) to write data to the work sheets on the following pages.

Use table 3 to calculate the amount of power consumed by the extension loudspeakers.

- 2) Note the quantity of 4 Ω -loudspeakers in the space of the column "Quantity".
Enter stereo loudspeakers as two speakers.
Multiply the quantity with the power consumption.

Place your results in 4) at the space "Total".

- 3) Afterwards note the quantity of 8 Ω -loudspeakers in the same manner.

Then also note the quantity of 70 V-loudspeakers.

Note the results of the corresponding calculations also in 4) at the space "Total".

Table 3: Calculation of the loudspeaker's power

<u>4 Ω–stereo–loudspeakers</u>		*) values given in W RMS	
	Quantity	Power consumption	Connecting taps
loudspeaker for 1,0*) W:	___ each 1,0 W	= ___ W	(E1 and E2)
loudspeaker for 4*) W:	___ each 4 W	= ___ W	(E1 and E3)
loudspeaker for 16*) W:	___ each 16 W	= ___ W	(E1 and E4)
loudspeaker for 28*) W:	___ each 28 W	= ___ W	(E1 and E5)
loudspeaker for 62*) W:	___ each 62 W	= ___ W	(E1 and E6)
loudspeaker for 125*) W:	___ each 125 W	= ___ W	(E1 and E7)
4 Ω–loudspeaker	Total	= ___ W	
<u>8 Ω–stereo–loudspeakers</u>			
	Quantity	Power consumption	Connecting taps
loudspeaker for 0,5*) W:	___ each 0,5 W	= ___ W	(E1 and E2)
loudspeaker for 2*) W:	___ each 2 W	= ___ W	(E1 and E3)
loudspeaker for 8*) W:	___ each 8 W	= ___ W	(E1 and E4)
loudspeaker for 14*) W:	___ each 14 W	= ___ W	(E1 and E5)
loudspeaker for 30*) W:	___ each 30 W	= ___ W	(E1 and E6)
loudspeaker for 62*) W:	___ each 62 W	= ___ W	(E1 and E7)
8 Ω–loudspeaker	Total	= ___ W	
<u>70 V–loudspeakers</u>			
The variable power selection for 70 V–loudspeakers is performed at the corresponding transformer integrated in each loudspeakers cabinet.			
Add the power consumption of all 70 V–loudspeakers and note this total value:			
70 V–loudspeaker		= ___ W	(A1 and A2)

4) After you have calculated all the necessary values you have to add them to get the

Total power consumption of external loudspeakers:

Total power consumption of 4 Ω–loudspeakers _____ W
 Total power consumption of 8 Ω–loudspeakers _____ W
 Total power consumption of 70 V–loudspeakers _____ W

Total power consumption of all external loudspeakers _____ W in STEREO.

This is the necessary power consumption which the amplifier of the phonograph at least must supply for external loudspeakers. This value must be less than the maximum power consumption of 250 W RMS (400 W music power). If it exceeds 250 W RMS you have to reduce the number of connected loudspeakers. Afterwards calculate it once more.

NOTE:

The amplifier may be rated up to 250 W RMS before the delimitation will start.

Connecting the loudspeakers

The connection between the amplifier of the phonograph and the output transformer is realized using coloured wires. The red wire is used to connect the left channel and the blue wire is used to connect the right channel. The black wire and the grey wire are used as the corresponding reference potential (ground). The ground wires are always connected to the tap E1 (ground) of the output transformer.

Refer to the table 4 to select output taps for more or less power for the connected loudspeakers.

Power calculation for the internal loudspeakers

Table 4 gives the loudspeaker power of the internal loudspeakers depending on the connecting tap of the output transformer.

Use less power for less volume.

Table 4: Selecting power at the output transformer

Loudspeaker power	Connect the internal loudspeakers with
1,0 W	red wire to left E2, resp. blue wire to right E2
4,0 W	red wire to left E3, resp. blue wire to right E3
16,0 W	red wire to left E4, resp. blue wire to right E4
28,0 W	red wire to left E5, resp. blue wire to right E5
60,0 W	red wire to left E6, resp. blue wire to right E6
124,0 W	red wire to left E7, resp. blue wire to right E7

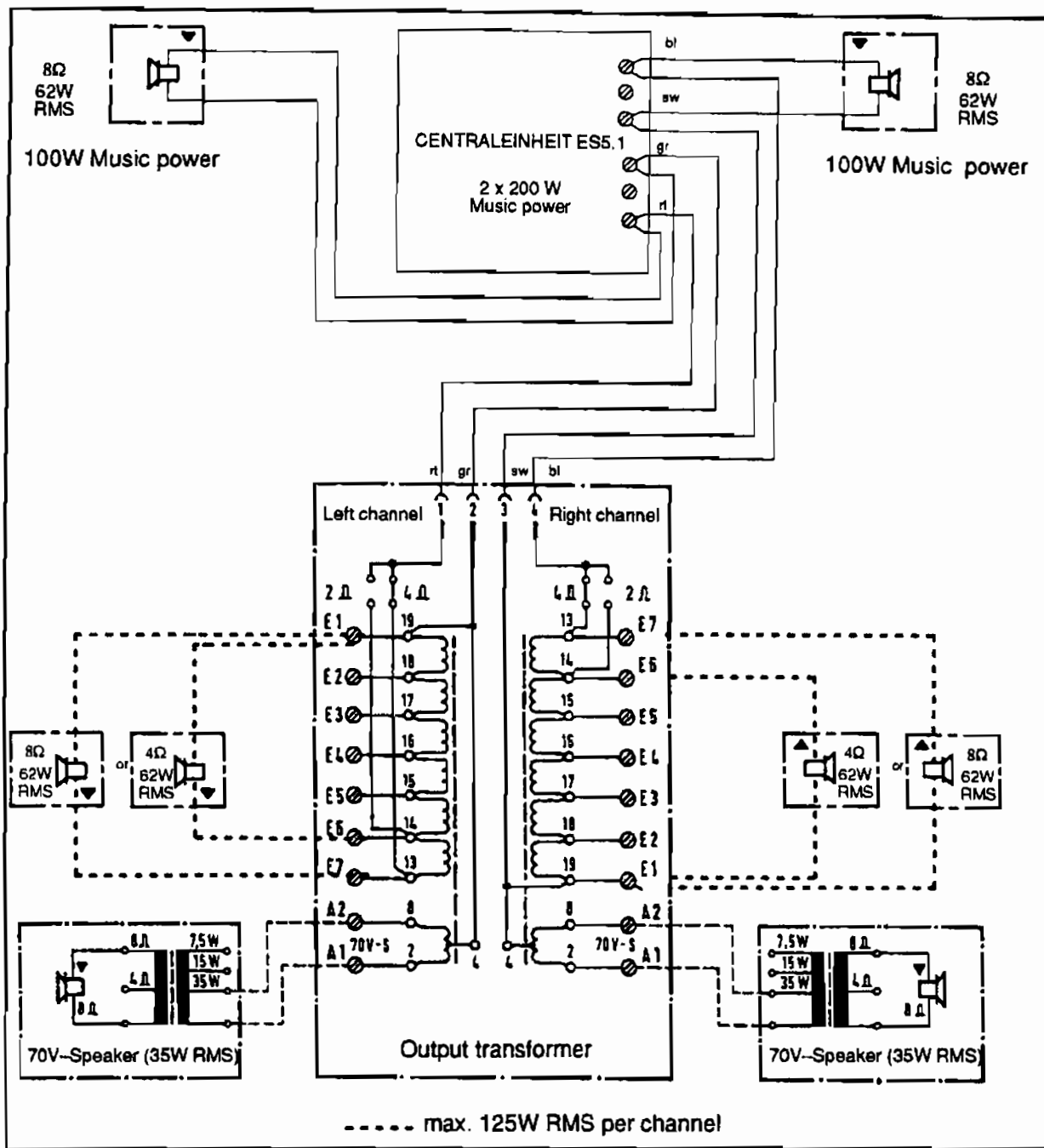
*) For each channel only the half of this values is available. Values given in "Watt RMS".

Take care not to overload the loudspeakers.

Do not change the connection of the black wire or the grey wire. They should stay on either the left or right E1 taps to define the reference potential.

See also to the "Connection diagram for output transformer".

Connection diagram for output transformer



Terminal Position	Loudspeaker impedance				
	1 Ω	2 Ω	4 Ω	8 Ω	16 Ω
E1-E2	4W RMS	2W RMS	1W RMS	0,5W RMS	0,3W RMS
E1-E3	16W RMS	8W RMS	4W RMS	2W RMS	1W RMS
E1-E4	64W RMS	32W RMS	16W RMS	8W RMS	4W RMS
E1-E5	125W RMS	62W RMS	28W RMS	14W RMS	8W RMS
E1-E6	-	125W RMS	62W RMS	30W RMS	16W RMS
E1-E7	-	-	125W RMS	62W RMS	30W RMS

Connection of 70 V-loudspeakers max. 60 W RMS

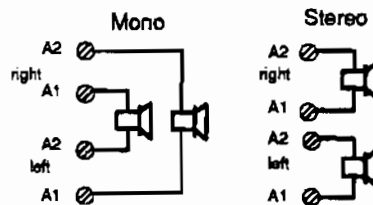


Figure 28: Connection diagram for loudspeakers and output transformer

Checking the external loudspeaker connections (overload)

To avoid distortion of sound or destruction of equipment you should perform the following steps after changing any loudspeaker connection.

- A. Make sure that the loudspeakers are connected to the proper connectors.
Then power on the phonograph.
- B. Set the phonograph's volume to full power (display = 31) and make a selection.
- C. While the music is playing no overload distortion or interruption should occur.
The volume should not be decreased automatically from its maximum 31, shown on the display.
If any distortion or interruption occurs or if the volume is decreased, the amplifier is overloaded.
Then you have to perform step D.
- D. Perform this step only if any distortion or interruption occurs.
Turn off the phonograph.
Find and correct the reason for this overload, perhaps there is a short circuit on a loudspeaker
or too many loudspeakers are connected.
Then repeat step A–C.

Special connection / left channel inverted

If you want to connect already existing loudspeaker networks which work with antiphase polarity of the left channel to this phonograph you have to read this chapter.

If the phonograph is to function with a loudspeaker network with antiphase polarity or with a high impedance mono-system which has been connected between left and right channel, please proceed as follows:

Cut the soldered connection LB6 on the PCB Central Unit. By doing so, the signal of the left channel is inverted (180°, changed polarity) the signal will be antiphased then.

For mono mode, connect external loudspeakers between the terminal positions E2 – E7 left and E2 – E7 right of the output transformer.

Almost the double output power is measured between the channels' taps, the loudspeakers are to be connected only according to the following table and in accordance with their impedance and power.

Power values for special mode with inverted left channel

Terminal position	Loudspeaker			
	2Ω	4Ω	8Ω	16Ω
E2 left – E2 right	8 W RMS	4 W RMS	2 W RMS	1 W RMS
E3 left – E3 right	32 W RMS	16 W RMS	8 W RMS	4 W RMS
E4 left – E4 right	125 W RMS	64 W RMS	32 W RMS	16 W RMS
E5 left – E5 right	–	125 W RMS	64 W RMS	32 W RMS
E6 left – E6 right	–	–	125 W RMS	64 W RMS
E7 left – E7 right	–	–	–	125 W RMS

Attention: The total power must not exceed 2x 125 W RMS (Total 250 W RMS).

Refer to the following connection diagram:

Connection diagram for special mode with inverted left channel
(unsoldered connection LB6 on PCB Central Unit)

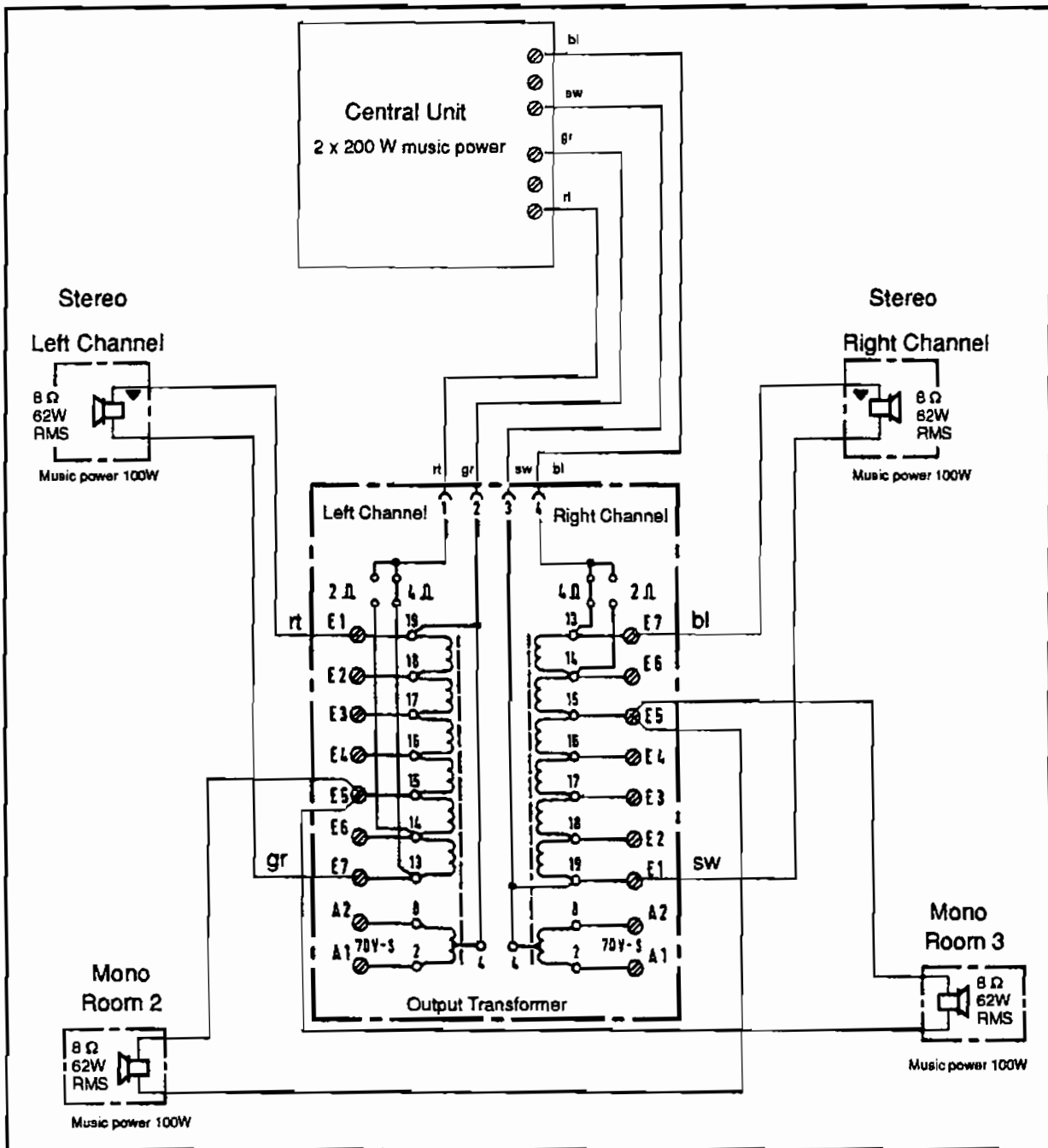


Figure 29: Connection diagram for special mode with inverted left channel

Adjustment of volume of additional loudspeakers with volume controller

A change of the volume of external loudspeakers can be done by a volume controller connected in series. Therewith only the volume respectively adjusted for the amplifier is possible as maximal volume.

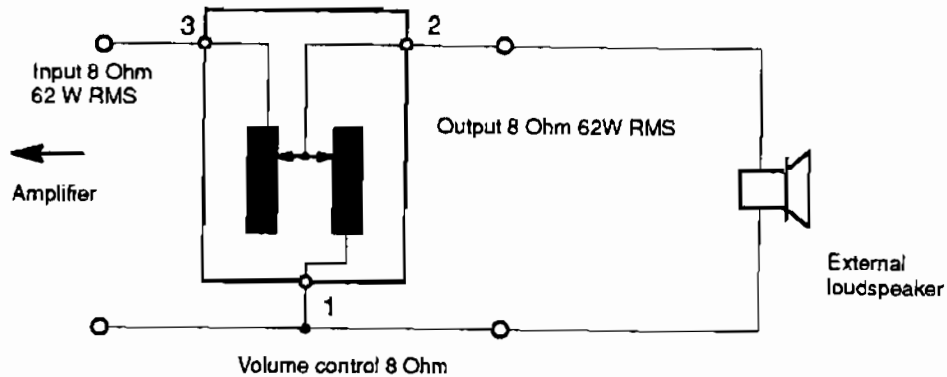


Figure 30: Functional principle of volume controller

Attention: Independent from the position of the volume controller the input impedance of this circuit always amounts to 8 Ohm. Thus, the amplifier is charged accordingly. The charge is distributed on the volume controller and the connected loudspeakers. In the extreme case, thus when volume is turned out, the volume controller has to take the whole power. Therefore a volume controller with a carrying capacity of at least 50 W (better 100 W) is necessary in case that the amplifier constantly is to operate with full volume.

If a slight mutual influence on the volume adjustment is taken into bargain, the output transformer can be omitted when power is low by serially connecting two volume controllers:

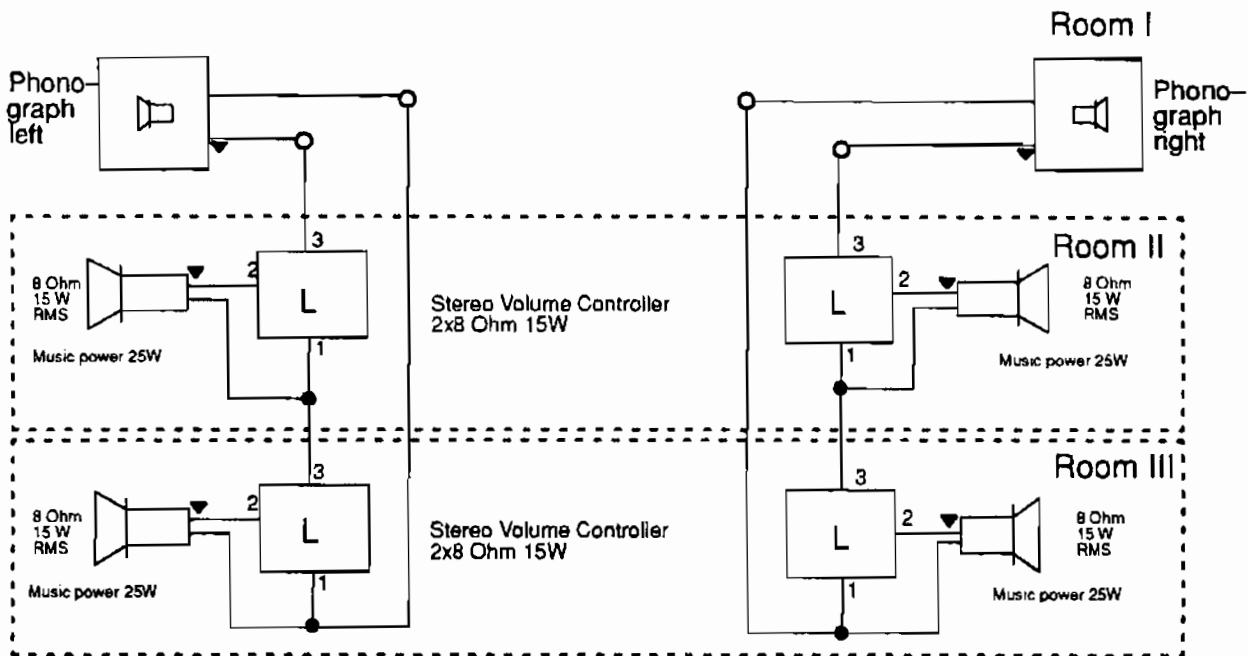


Figure 31: Volume Controller: Example of connection

Independent adjustment of several loudspeakers via volume controller

Within this system the volume of the phonograph is being adjusted to the maximal volume needed constantly.

Via inserted volume controllers further loudspeakers can be adjusted independently. As the impedance of the three 3 (per channel) parallelly connected controllers amounts to about 2,7 Ohm, an output transformer is necessary for adaptation to the amplifier.

Separate volume adjustment with volume controllers via output transformer

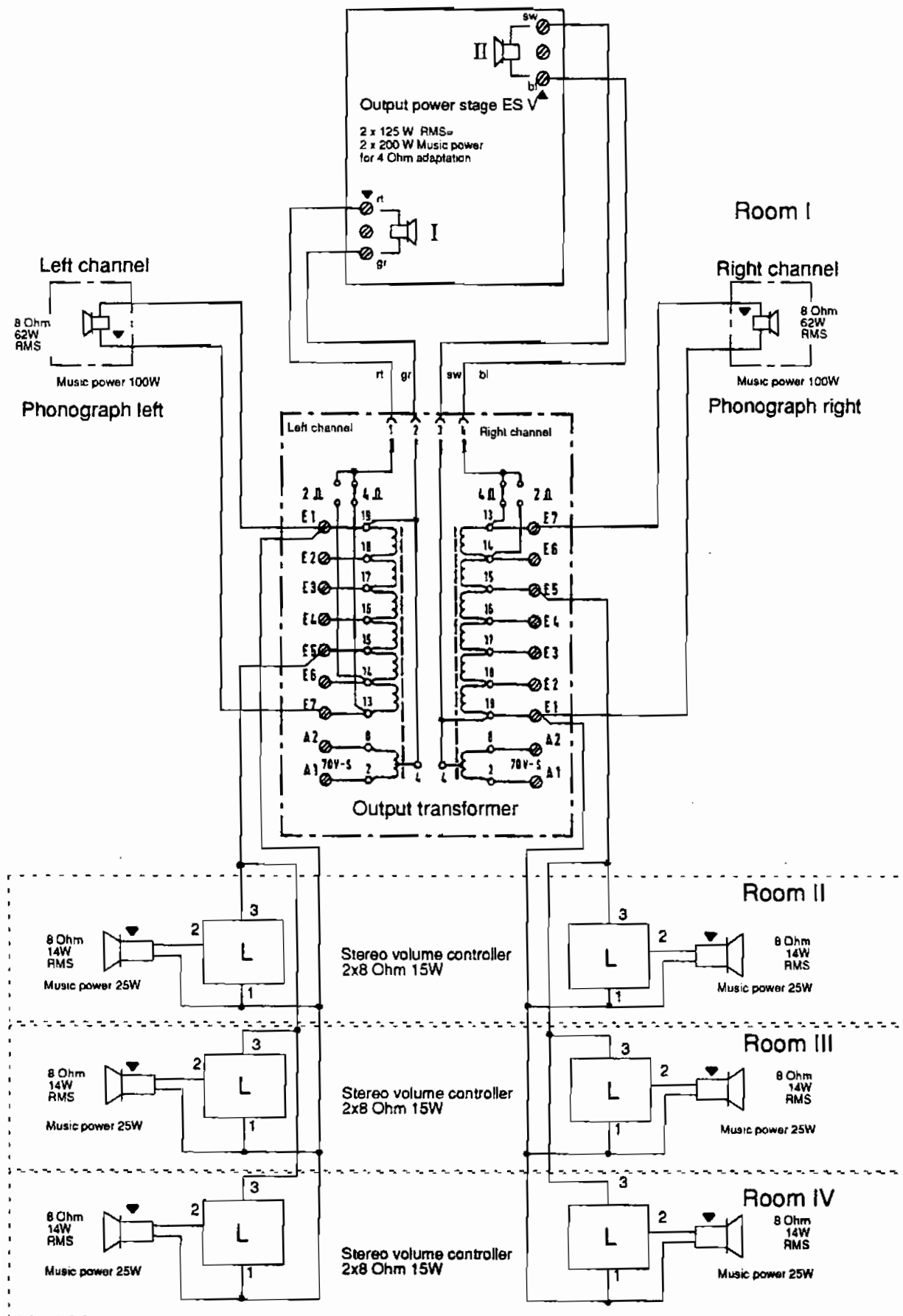
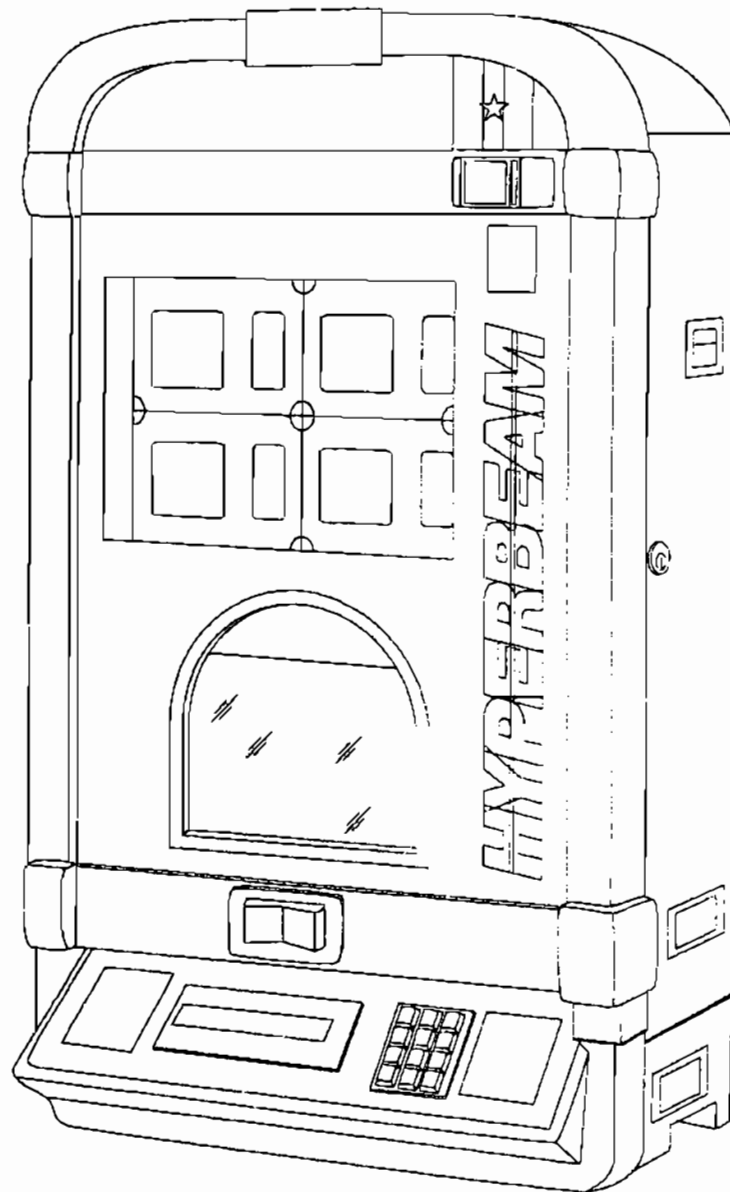


Figure 32: Volume controller with output transformer

PERFORMER WALL 2000



Programmierung/ Programming/
Programmation du juke-box

Section 5 Programming of special and individual settings

General information, command overview

In order to program NSM phonographs in a simple yet extensive fashion, a service program has been installed with which the different settings can be altered via the keyboard of the phonograph.

In order to get into the service mode you have to perform the following steps:

- open the front door of the cabinet
- pull out the service switch (cabinet interlock switch)

By changing the display, the phonograph indicates that it is in service mode now. The display shows the following information:

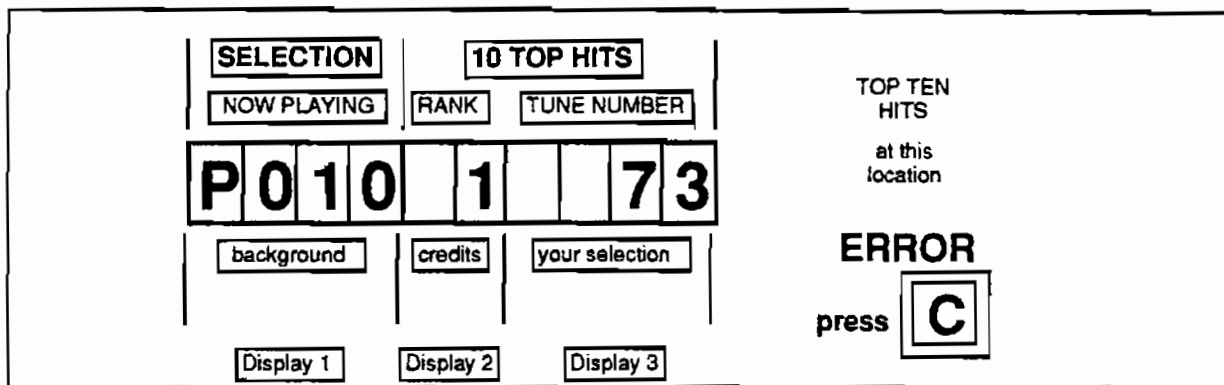
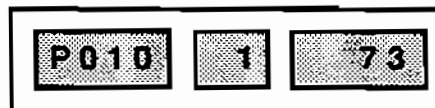


Figure 33: Display after entering the service mode

The display shows P010 and values concerning the popularity of the least played CD.
For example:



After pressing the key "C" the display is changed.
To the left the letter "P" appears.



Now enter the desired command number. Zeros before the number can be left out.
A command called up in error can be cancelled by pressing "C". Pressing "H" confirms the entry.

For example:

Enter: P 40 H 1 H
to program the phonograph
with all default values.



In order to find single commands more easily, all possible commands are put together in single groups.

P001	Authorization: Enter authorization code: *PPPP*		5+H clear selection memory! 6+H clear error memory!
P002*	Change authorization code *PPPP*	P040*	General settings: 0+H Default values for 041 to 054, 094 ▼
P003	Show version number		1+H Def. values for 041 to 054, 094, 114, 117
	Statistics:	P041*	Define machine #, max. 4 digits "0"
P010	0: Number of least played CD 1: Number of second-least played CD	P042	Selection limit for CD/track (title) max. 100 CDs, 99 tracks "0024"
	2: Number of plays 3: Data about any CD	P043	Light show in stand-by, if installed "1105"
P011	0: Number of the most played (best) CD 1: Number of the second-best CD	P044	Light show in operation, if installed "1000"
	2: Number of plays 3: Data about any CD	P045*	Time limit for playing of tracks in minutes (0=no limit) "0"
P012	0: Top-title, hit #1 1: Second-best title 2: number of plays	P046	Sequence of playing normal selected tracks (0= fifo / 1=numerical / 2=random) "0"
P013*	0: Cash amount since last evaluation 1: Accumulated Cashbox amount	P047	Maximum number of titles in a sequence from one CD (0 = no limit) "0"
P014*	0: Number of coins through Chute 1 (K1) 1: Number of coins through Chute 2 (K2)	P048	Automatic advancing of title display in minutes (0= none) "0"
	2: Number of coins through Chute 3 (K3) 3: Number of coins through K4 or bills into NP1	P049*	Cancels credits after power off / stand-by (x=0=no, x=1 to 240=yes) x/10 hrs. "2"
	4: Number of bills into validator NP2 5: Accumulated counter for K1	P050*	Cancels selection memory after power off (no; x=0, yes: x=1 to 240) x/10 hrs. "2"
	6: Accumulated counter for K2 7: Accumulated counter for K3	P051*	Maximum volume in play operation (max. 31) "31"
	8: Accumulated counter for K4 or NP1 9: Accumulated counter for K5 or NP2	P052*	Maximum volume for background music 0= normal; 1-31 separated volume
P015 *1)	0: Cash amount of wall box 1: Accumulated (Acc.) Cashbox amount	P053	Sound system setting set volume "0505"
P016*	0: Counter of played titles 1: Acc. counter	P054	Sound system setting set treble and bass "0608"
P017*	0: Counter of selected titles 1: Acc. counter	P055*	maximum volume for MIC 0: normal; 1-31 separated volume "0"
P018*	0: Counter of album selections 1: Acc. counter	P056	Display hitparade on console display 0: no; 1: after 16 s with credit; 2: without credit "2"
P019*	0: Counter of overlay titles 1: Acc. counter	P057	Clear selection memory with remote control 0: no; 1: yes "0"
P020*	0: Counter for paid credits 1: Acc. counter		
P021*	0: Counter for free credits 1: Acc. counter		Price settings: see table "Price settings"
P022*	0: Counter for background titles 1: Acc. counter	P060*	0+H Cancels previous price setting n+H Selection "n" from table (s.a.)
P023*	0: Counter for autoplay titles 1: Acc. counter	P061*	Arbitrary price setting for chute 1 xx=selections, yyyy=price "xx yyyy"
P024*	0: Counter for advertising tracks 1: Acc. counter	P062*	same for chute 2
P025*	0: Counter Happy-Hour-credits 1: Acc. counter	P063*	same for chute 3
P026	0: Counter for Power-on hours 1: Acc. counter	P064*	same for chute 4
P027	reserved	P065*	same for chute 5
P028	Number of unused credits	P066*	Bonus listing for album setting 0: No album selection allowed "1"
P029	Number of selections not yet played		1: No bonus
P030	Data transfer to Data Print in text mode 0: cashbox, counters, hitparade, errors,... 1: only the hitparade		2: 1 bonus for 5 titles 3: 1 bonus for 4 titles 4: 1 bonus for 3 titles
P031*	Data transfer to Data Print in graphic mode 0: all available data		
	1: Cashbox 2: Counter and cashbox contents		Monetary value settings: see table "Monetary value settings"
	3: General settings 4: Popularity of all CDs	P070*	0+H Cancels previous monetary value n+H Selection "n" from table
	5: Top all hits 6: Previous 20 error reports	P071*	Arbitrary monetary value setting for chute 1 zzzz=coin value (e.g. 0500=\$ 5,-) "zzzz"
P032	option, not used for USA	P072*	same for chute 2
P033*	Cancellation routines! 0+H clear all memory entries!	P073*	same for chute 3
	1+H clear hit parade! 2+H clear popularity	P074*	same for chute 4
	3+H clear counters and cashbox contents! 4+H clear credits!	P075*	same for chute 5

P076*	Bonus credits for bill insert "0"	P122*	Stop time for time window "Advertisement"
P077*	0: indirect revaluation 1: direct revaluation of inserted money "0"	P123*	Active on week-day(s) "d" (d = 1 to 7) yes: 1+H, no: 0+H after day code display
P078*	0: Display monetary value /100 1: Display monetary value /10 "0"	P124*	Time between two titles in minutes. Enter: nn+H (0=no adverts) "0"
		P125*	Entry of 20 titles or albums. Enter: nnn+H
P080*	Programming real time clock: Set time "hhmm"	P126*	Patron Selection (0= free, 1= locked for guests)
P081*	Set date "ddmmyy"	P127*	Sequence of play (0=FIFO, 1=RANDOM) "0"
P082*	Set week-day (d=1 to 7) "d"	P130*	Programming lock-out titles: 0+H default values; cancels entries + time
P090*	Programming free credits: 0+H default values; cancels entries + time	P131*	Start time for time window "Free title selection"
P091*	Start time of time window "Free Credit"	P132*	Stop time for time window "Free title selection"
P092*	Stop time of time window "Free Credit"	P133*	Active on week-day(s) "d" (d = 1 to 7) yes: 1+H, no: 0+H after day code display
P093*	Active on week-day(s) "d" (d = 1 to 7) yes: 1+H, no: 0+H after day code display	P134*	Activate/deactivate lock-out: 1: Title locked 0: Title available in time window "0"
P094*	Number of free credits: 0: No free credits "0"	P135*	Entry of 20 titles or albums Enter: nnnn+H
	<200: No. of free credits individually used =200: Unlimited use		
	=201: Switch between no/unlimited use =202: automatically unlimited use	P140*	Programing Happy-Hour-credits: 0+H default values; no Happy-Hour
P095	Rebuild number of free credits: 0: no rebuild 1: rebuild daily; 2: rebuild weekly "0"	P141*	Start time for time window "Happy-Hour"
P100*	Programming background music: 0+H default values; cancels entries + time	P142*	Stop time for time window "Happy-Hour"
P101*	Start time for time window "Background music"	P143*	Active on week-day(s) "d" (d = 1 to 7) yes: 1+H, no: 0+H after day code display
P102*	Stop time for time window "Background music"	P144*	Calculation number (n=1 to 5) Enter: n+H (0= no Happy-Hour) "0"
P103*	Active on week-day(s) "d" (d = 1 to 7) yes: 1+H, no: 0+H after day code display		Calling up Test Programs:
P104*	Lock for background music (BGM): 0: No background music "0"	P150	Read out error report memory: 0: Last reported error
	1: BGM possible in time window 2: BGM automatically in time window		1: Previous error report 2: CD-Nr. at which the error occurred
P105*	Entry of 20 titles or albums Enter: nnnn+H		3: Time of occurrence 4: Date of occurrence
P106*	Patron Selection (0=free, 1=locked for guests)	P151 to P159 are reserved for the service staff. See Service manual	
P107*	Sequence of play (0=FIFO, 1=RANDOM) "0"		Title memory:
P108*	Paid for background music Enter: nn+H (0=no credit) "0"	P160	0: Read in all CD titles, i.e. with initial equipping of all CD's
P110*	Programming auto play: 0+H default values; cancels entries + time	P161	Read in all titles of one newly equipped CD. Enter CD# "nn"+H
P111*	Start time for time window "Auto Play"	P162	Read the title memory, 0: Number of titles from first CD
P112*	Stop time for time window "Auto Play"		1: Number of titles from the next CD 2: Number of titles from the last CD
P113*	Active on week-day(s) "d" (d = 1 to 7) yes: 1+H, no: 0+H after day code display		3: Number of titles from any CD. Enter CD# "nn" +H
P114*	Time between two titles in minutes Enter: nn+H (0=no auto play) "15"	P163	Cancels title memory of all CD's. 0+H all entries set to 1
P115*	Entry of 20 titles or albums Enter: nnnn+H		
P116*	Patron Selection (0=free, 1=locked for guests)	P164	Switching signal sources This is only necessary when servicing
P117*	Sequence of play (0=FIFO, 1=RANDOM) "1"		0+H Mute (no signal source) 1+H CD-player
P120*	Programming advertisement play: 0+H default values; cancels entries + time		2+H Tape or cassette player 3+H microphone
P121*	Start time for time window "Advertisement"	P170*	Switching evaluation protocol (only GB)

1)= Not yet implemented, * = Enter authorisation code, "Value" = Factory default value

The structure of the service program steps

The whole service program steps are divided into command groups

Table 5: Overview of Commands of the Service Program

Group	Name of Command Group	Command Numbers
1	Authorization / Version	P001 ...P003
2	Statistics	P010 ...P029
3	Data Transfer/Cancellation	P030 ...P033
4	Programming General Settings	P040 ...P057
5	Programming Price Settings	P060 ...P066
6	Programming Monetary Value Settings	P070 ...P078
7	Programming Real Time Clock	P080 ...P082
8	Programming Free Credits	P090 ...P095
9	Programming Background Music	P100 ...P108
10	Programming Auto Play	P110 ...P117
11	Programming Advertising	P120 ...P127
12	Programming Lock-out of titles	P130 ...P135
13	Programming Happy-Hour-credits	P140 ...P144
14	Test Programs	P150 ...P157
15	Initializing CD titles into title memory	P160...P163
16	Switching signal sources	P164
17	Selecting protocol for COM-port	P170 (GB only)

The following chapter will describe the meaning and the syntax of each command of the service program in detail.

Authorization (P001 to P002) / Version (P003)

Because the jukeboxes can be programmed with so much important data as well as input in cash counter and statistics, it is even more important than before that only authorized personnel may have access. For this reason access to essential data of the phonograph can be protected by using an authorization code.

Enter Authorization Code

P001 In order to call up the protected commands, one must start authorization by using the P001 command.

Enter: P 001 H P P P P H or P 1 H P P P P H

Enter: P 001 H P P P P H (for authorization)



The authorization code "0000" has been programmed for delivery. The memories are not protected and the operator can choose his own code by entering command P002. For security reasons the code number is not shown. In the display each number is shown as "P. When "PPPP" is shown, the secret code number is complete and after pressing "H" and leaving the programming mode, the machine is protected.

Changing the Authorization Code

P002: During regular operation changing of the authorization code is only possible after previous authorization.

Enter: P 002 H P P P P H (when entering new authorization code)



Caution: As described beforehand, the authorization code is NEVER shown! Therefore, it is important that the code is never lost since there is no opportunity to reprogram the phonograph.

Show version

P003: Enter this command to get the version of the firmware of the phonograph the CD changer MBC III or the CD player.

Enter: P 003 H 0 shows the version of the phonograph's firmware:



1 shows the version of the CD changer MBC III:



2 shows the version of the CD player:



Statistics (P010 to P029)

Within the program group of statistics there is information regarding cash as well as statements as to how often CDs are played (popularity, hit parade).

The single commands for cash value and counters are divided into two groups. The regular information is under code "0". Cumulated values are under code "1" which have been added up since the jukebox has been operated.

Individual commands:

Popularity

Relating to CD albums, the commands P010 and P011 are dedicated in order to determine the popularity.

- P010:**
- 0: Display of number of **least played CD**
 - 1: Display of number of the next higher CD (stepping through with "1")
 - 2: Number of plays
 - 3: Information to any CD (enter CD number)

After entering the proper code, the display shows the information such as the following:

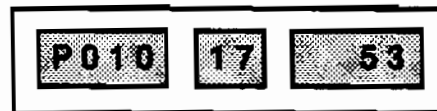
Enter: P 010 H 0 *i.e. least played CD no. 45*
 1



Enter: P 010 H 2 *i.e. 13269 plays*



Enter: P 010 H 3 53 H
 i.e. CD no. 53 in 17th place



- P011:**
- 0: Display of number of **most popular CD**
 - 1: Display of number of next higher CD (advance with "1")
 - 2: Number of plays
 - 3: Information regarding any CD (enter CD number).

After entering the proper code, the display shows the respective data.

Enter: P 011 H 0 *i.e. most popular CD no. 19*
 1



Enter: P 011 H 2 *i.e. 731 plays*



Enter: P 011 H 3 24 H
 i.e. CD no. 24 in 2nd place



Hit Parade

The hitparade of the phonograph has a range of 500 titles each to count up to 65535. Titles and counters are stored until the next read-out with P030 or the next clearing with P033.

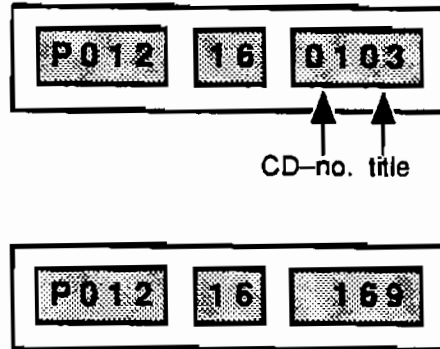
With DATAprint only the TOP TEN hitparade is printed to save capacity and paper. On special request you can print out the 500-hitlist (see P031).

With P012 you can read out a 100-hitlist of the phonograph

- P012:**
- 0: Display of the number of the top title, Hit no. 1
 - 1: Display number of the next best title (advance with key "1")
 - 2: Number of plays of the actual title

Enter: P 012 H 0
 1 *i.e. in 16th place:*
 The third title of CD 01

 2 *i.e. this title was played*
 169 times until now



Use the following commands to display the actual cash contents as well as diverse counter readings since the last collection. You receive statistics concerning the entire time of operation by displaying the cumulated counters.

Cashbox contents

The display of the cash amount is done by total numbers, read out in currency amounts. Contrary to the monetary value setting in command group P07x where the coin value multiplied by factor 100 is displayed, i.e. \$1.— are entered in P07x as 0100, but are shown as 1 in P013.

Display of the cash contents is indicated by maximum 6 spaces (max. display: \$ 99 9,999.—).

- P013:**
- 0: display of cash contents since the last collection
 - 1: cumulated cash contents

Enter: P 013 H 0
 1 *i.e. \$34,829.—*



Counter for number of coins / bills

Besides displaying the cash levels, the counters of the individual money chutes can be called up. This makes possible an additional control of the cash contents. The five integrated counters are distributed as follows:

- Chutes 1 to 3: only coins (defined by monetary value setting P071 to P073)
- Chute 4: coins as well as bills (can be selected with P074)
- Chute 5: only bills (defined by P075)

The total of the individual counters corresponds to the total of the cashbox contents.

- P014:**
- 0: Number of coins through Chute 1 (enter P071)
 - 1: Number of coins through Chute 2 (enter P072)
 - 2: Number of coins through Chute 3 (enter P073)
 - 3: Number of coins through Chute 4 and/or bills counted in Bill Validator 1 (enter P074)
 - 4: Number of bills counted in Bill Validator 2 (enter P075)
 - 5: Cumulated counter Chute 1 (enter P071)
 - 6: Cumulated counter Chute 2 (enter P072)
 - 7: Cumulated counter Chute 3 (enter P073)
 - 8: Cumulated counter Chute 4 (enter P074)
 - 9: Cumulated counter Chute 5 (enter P075)

Enter: P 014 H 0

1 i.e. 12.543 coins through
2 channel 2:

...



The respective cashbox total is derived by multiplying: number of coins x monetary value of coin.

Additional Counters

With commands P016 to P026 diverse counters can be called up which can be used as actual counters and as cumulative ones as the commands described previously. The statistical data contained therein can be used to settle accounts.

- P016:** 0: Number of titles played
1: Cumulated counter
- P017:** 0: Number of titles chosen
1: Cumulated counter
- P018:** 0: Number of albums chosen
1: Cumulated counter
- P019:** 0: Number of overplay titles
1: Cumulated counter
- P020:** 0: Number of credits paid
1: Cumulated counter
- P021:** 0: Number of free credits
1: Cumulated counter
- P022:** 0: Number of background titles
1: Cumulated counter
- P023:** 0: Number of titles in auto play mode
1: Cumulated counter
- P024:** 0: Number of advertising titles
1: Cumulated counter
- P025:** 0: Number of Happy-Hour-credits
1: Cumulated counter
- P026:** 0: Counter for power-on hours (range from 1-65536 hours).
1: Cumulated counter

I.e.: calling up number of titles played; a total of 10273 titles were played on this jukebox.

Enter: P 016 H 1 i.e. 10,273 titles played
in total



The counter P027 is not used.

Further interesting data are recorded in counters P028 and P029.

P028: Number of credits unused.
This shows the number of paid credits available for selections of titles or albums.

P029: Number of chosen unplayed titles.
This shows how many entries are remaining in the selection storage.

Data Transfer (P030 to P031)

In this group of service program commands the data in the counters mentioned beforehand are prepared for output to a DATAprint or to evaluation devices which process the data. After calling up the command and entering the respective code, data transfer follows.

There are two ways of print-out possible:

P030 transfers all available data in text mode.
The data is stored within the DATAprint.
The Data can be printed out or edited on a PC i.e. with the software DATAcontact.
The counters of the phonograph are deleted after the printout is done and the cabinet is closed.

P031 transfers all data in graphic mode.
The data is printed out directly after downloading.

See also the sample print outs shown in chapter "How to evaluate the statistics?"

Display of error numbers while evaluation is performed

If an error is determined, "E0" is shown in display 3. In that case, please check the connection to the DATAprint unit.

Display of the phonograph if a transfer error occurs:



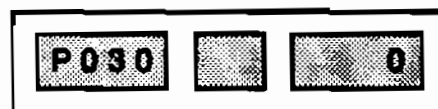
Remember to un-plug the interface cord after the print out is finished.

DATAprint, printout in text mode

P030: 0: All data in the counters is processed and sent to DATAprint.
There they are stored and printed out depending on the setting of the DATAprint.
1: Only the hitparade will be sent to DATAprint (max. 500 titles).

The stored data can continue to be processed by a software tool for PCs, i.e. by DATA CONTACT.

Enter: P 030 H 0



The counters of the phonograph are deleted after the print out is done and the service switch is closed manually or after closing the front door of the cabinet.

DATAprint, printout in graphic mode

Contrary to the output of P030, the entire statistics as well as individual statistical areas can be printed out by P031. But the data are not stored within the DATAprint.

- P031:**
- 0: Print all data
 - 1: Cashbox amount
 - 2: Counter with cashbox
 - 3: General settings
 - 4: Popularity of all CDs
 - 5: Hit parade over all titles (max. 500 titles)
 - 6: The last 20 errors shown

Enter: P 031 H 0

1

...

6

i.e. 4 print-out popularity:



If you just would not have selected this menu item, you just push in then pull out the service switch and you re-enter the service mode at the main menu level.

Cancellation of counters (P033)

The P30 group contains not only the printing commands but also the cancellation commands of counters P010 to P026. Only the "regular" counters are cancelled. The cumulated counters are excluded from cancellation (they are not to clear). The memories for credit and selection of titles as well as the error memory are cancelled.

Note: To avoid the cancellation of data by accident or by unauthorized persons, this function can be protected by an authorization code (enter P001).

- P033:**
- 0+H: Cancellation of all memory contents
 - 1+H: Cancels hit parade (P012)
 - 2+H: Cancels popularity (P010)
 - 3+H: Cancels counters and cashbox contents (P013-P024)
 - 4+H: Cancels credit memory
 - 5+H: Cancels selection memory
 - 6+H: Cancels error memory

!!CAUTION!!

Note: To additionally safeguard accidental cancellations, each input has to be confirmed by pressing the key "H".

Enter: P 033 H 0 H

1 H

2 H

...

6 H

i.e. cancel popularity:



Programming General Settings P040 to P057

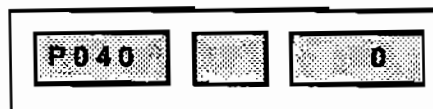
In order to adjust each phonograph individually to the location requirements, certain general settings can be individually changed. Below you may find detailed values which have been set at the factory.

Default values

If you generally want to reset all values to the standard values of the factory settings, you have to perform this program step.

P040:	0+H:	programming of default values (P041 to P057) After calling this code the values of P041 to P144 are cleared:
	P042 =	0024: Max. number of CD/titles
	P043 =	1105: Light play in stand-by, if installed
	P044 =	1000: Light play in play mode, if installed
	P049 =	2: Cancel credits after power-off
	P050 =	2: Cancel selection memory after power-off
	P051 =	31: Max. volume in play mode (max.31)
	P052 =	16: Max. volume for background music (max. 31)
	P053 =	0505: Volume setting
	P054 =	0808: Sound setting
	P055 =	0: Max. volume for microphone
	P056 =	2: Display hitparade on operators console
	P057 =	0: Cancel selection memory with remote control
	1+H:	as above, additional programming of default values for:
	P114 =	15: autoplay titles with
	P117 =	1: defined acces to all CDs.

Enter: P 040 H 0 H
1 H i.e. set factory default



I.D. number of the phonograph

P041: Every phonograph can be programmed with its own I.D. number. DATAprint printouts can then be easily identified if you have evaluated several machines. The I.D. number has at most 4 digits.

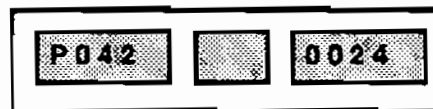
Enter: P 041 H nnnn H



Maximum number of selectable CDs and tracks/titles

P042: When partially equipping phonographs, unused magazine slots can be excluded. A maximum of 100 CDs (01-to 00) as well as a maximum of 99 titles can thus be selected. (Default value: 0024).
Attention: 00 = The number 100

Enter: P 042 H 0024 H
i.e. allow 100 CDs with
24 titles each to be selected



Note: Please remember that with each change regarding the number of CDs, the new parameters should be reported to the juke box via program step P160 or P161. Otherwise, there will be problems when playing the CD.

You can skip this page if your phonograph is not equipped with a light play option.

Light effects In stand-by

P043: A light generator can be programmed in order to attract the patrons' attention as long as no music has been selected.

Attention: Only useable on phonographs with a light organ installed.

Enter: P 043 H



Programming the running light is done by entering a 4 digit number according to the following scheme:

A: Switch over characteristic	0= hardly 1= softly	<table border="1"> <tr><td>A</td><td>B</td><td>C</td><td>D</td></tr> <tr><td>0</td><td>0</td><td>0</td><td>1</td></tr> <tr><td>▽</td><td>▽</td><td>▽</td><td>▽</td></tr> <tr><td>1</td><td>3</td><td>1</td><td>5</td></tr> </table>	A	B	C	D	0	0	0	1	▽	▽	▽	▽	1	3	1	5	<table border="1"> <tr><td>1</td><td>1</td><td>0</td><td>5</td></tr> </table>	1	1	0	5
A	B		C	D																			
0	0		0	1																			
▽	▽	▽	▽																				
1	3	1	5																				
1	1	0	5																				
B: Speed	0= slowly 3= fast																						
C+D: Various running lights	01 to 15																						

1105: Running light no.05, slowly with softly switching light.

Light effects during play

P044: Another light generator can be programmed here to differentiate between the two.

Attention: Only useable on phonographs with a light organ installed.

Enter: P 044 H



Programming the light effects is done by entering a 4 digit number according to the following scheme:

A: Mode of operation	0= steady light 1= light organ	<table border="1"> <tr><td>A</td><td>B</td><td>C</td><td>D</td></tr> <tr><td>0</td><td>0</td><td>0</td><td>0</td></tr> <tr><td>▽</td><td>▽</td><td></td><td></td></tr> <tr><td>1</td><td>3</td><td></td><td></td></tr> </table>	A	B	C	D	0	0	0	0	▽	▽			1	3			<table border="1"> <tr><td>1</td><td>0</td><td>0</td><td>0</td></tr> </table>	1	0	0	0
A	B		C	D																			
0	0		0	0																			
▽	▽																						
1	3																						
1	0	0	0																				
B: Basic brightness/contrast	0= dark 3= bright																						
C+D: Various light effects	00= lightorgan 01 to 15 *)																						

1000: light organ, relatively dark.

*) see P043

Limit play time of one track

P045: in minutes; in order to suppress long titles play time can be limited. The title playing will slowly fade when the time is up. When entering 0, there is no limit.

Enter: P 045 H nn H
3 H: titles will slowly fade after 3 min.



Sequence of plays at normal selection

P046: In order to alter the music menu, three variations can be chosen when playing :
0 – play as selected (FIFO)
1 – play in numerically ascending numbers
2 – play randomly (RANDOM).

Enter: P 046 H n H
2 H i.e. play randomly



Maximum number of titles of one CD

P047: Use this program step to determine how many titles of one CD are played in sequence. Value "n" as number of titles to be played."0" means no limit.

Enter: P 047 H n H
0 H i.e. no limit



Automatic advancing of title display

P048: Use this program step to define the automatic advance of the title display. Enter value "nn" as minutes. If minutes are entered the title display is changed accordingly in stand-by. 0 = no automatic advancing.

Enter: P 048 H nn H
10 H i.e. advancing of title display every 10 min.



Cancel credit

P049: Remaining credits are cancelled after $n/10$ hours ($n \times 6$ min.) of power off or stand-by.

Value "n" can be between 0 and 240 with commands P049 and P050.

- i.e. n = 1: waiting time = 6 min.
- n = 10: waiting time = 1 hr.
- n = 240: waiting time = 24 hrs.

n = 0 does not cancel any remaining credit.

Enter: P 049 H 2 H

i.e. cancel credit after 12 min. of power off/stand-by (2/10 hrs.):



Cancel selection memory

P050: Remaining selections entered in the selection memory are cancelled after $n/10$ hours ($n \times 6$ min.) of power off.

Value "n" can be between 0 and 240 with commands P049 and P050.

- i.e. n = 1: waiting time = 6 min.
- n = 10: waiting time = 1 hr.
- n = 240: waiting time = 24 hrs.

n = 0 does not cancel any remaining selection.

Enter: P 050 H 4 H

i.e. cancel selection memory after 24 min. of power off:



Sound system settings

Maximum Volume Levels

Maximum volume levels during play and background mode can be pre-set to a certain limit. The manually adjustable volume level of the phonograph cannot go beyond the set levels.

P051: Maximum volume during **play**; can be set between 0 (mute) and 31 (loud).

P052: Maximum volume for **background mode**
 0: The background volume is like the phonograph's volume
 n: Separate volume setting for background music (values n=1 to n=31)
 The programmed value is the maximum background volume (default = 16).

Enter: P 051 H 31 H
 i.e. maximum volume possible



Set volume for play mode

P053: With this command the volume of the phonograph is set.
 This function can be set in two ways:
 In the program mode it can be set via the key pad of the phonograph or by using the remote control (optional equipment).
 In play mode it can be set via the volume buttons at the bottom of the phonograph or by using the remote control (optional equipment).

Key pad layout for volume setting:

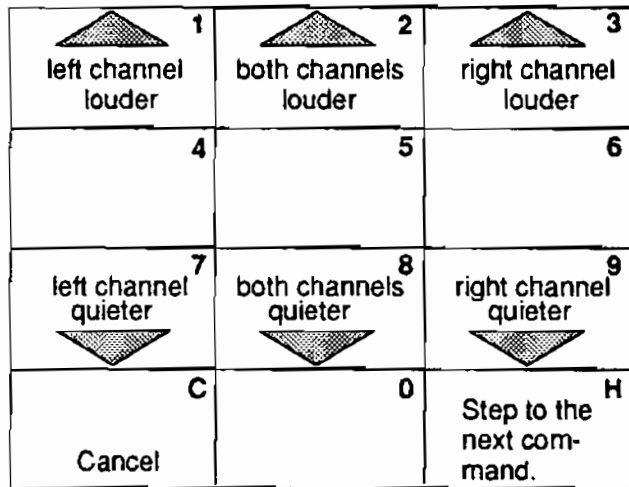
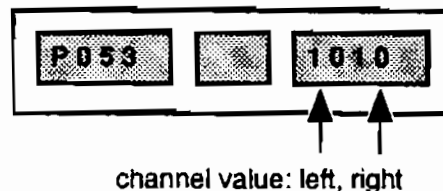


Figure 34: Key pad layout for volume setting

Enter: P 053 H
 Change per pressing keys
 i.e. Key "2" = louder



Sound setting

P054: With command P054 the sound setting is performed in a range from 1 to 10. Here treble and bass volume are set for both channels at the same time. The changed setting can also be immediately heard.

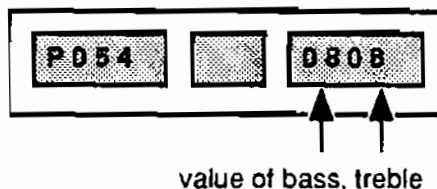
Key pad layout for sound setting:

▲ 1 more bass	▲ 2 more bass + treble	▲ 3 more treble
4 mean value	5 mean values	6 mean value
▼ 7 less bass	▼ 8 less bass + treble	▼ 9 less treble
C Cancel	0	H Step to the next com- mand.

Figure 35: Key pad layout for sound setting

Enter: P 054 H

Change per pressing keys
i.e. Key "8" = less bass and treble



Max volume for microphone

P055: With command P055 the maximum volume level for microphone is set. The set volume is the max. value for microphone volume.

- 0: Microphone volume = normal phonograph's volume (default value)
- n: Separated microphone volume, range: n= 1 to n=31

Display the hitparade on the operators console display

P056: With command P056 the display mode of the operators console is defined.

- 0: No hitparade display, **only credits are displayed**
- 1: Hitparade displayed 16 seconds after selection or registrated credits
- 2: Hitparade displayed 16 seconds **only** if credits available. (default value)

Clear selection memory using remote control

P057: With command P057 the selection memory can be cleared using the remote control unit.

- 0: Clearing of selection memory is not possible (default value)
- 1: Clear selection memory as follows:
Press "MUTING"+"REJECT"+"REJECT"+"REJECT" on remote control within 10 seconds.

Price Settings P060 to P066

To make programming of credits easier a table for price settings, via code number, has been programmed for command **P060** in which actual price values have been entered. The programming of the five possible price levels can be automatized with the table.

Look for your country and enter the code number for those listed prices.

Another possibility is the individual programming of the individual price scales using commands **P061** to **P065**.

Please use 6 digits and keep the price settings in numerically increasing order (ie: **P061** lowest price, **P065** highest price)

Table 6: Price Settings

Code No.	COUNTRY	P061	P062	P063	P064	P065	Remarks
0	_____	00 0000	00 0000	00 0000	00 0000	00 0000	no coin conversion in this setting
1	Germany	01 0100	01 0100	03 0200	03 0200	03 0200	1 play = 1,-DM
2	Belgium	02 2000	02 2000	02 2000	06 5000	06 5000	
3	Netherlands	02 0100	02 0100	02 0100	06 0250	06 0250	2 different settings
4	France	02 0500	02 0500	10 1000	10 1000	10 1000	
5	Switzerland	02 0100	02 0100	05 0200	05 0200	14 0500	
6	Austria	01 0500	01 0500	03 1000	03 1000	07 2000	
7	Italy	01 0400	01 0400	01 0400	03 1000	03 1000	
8	Spain	01 0050	01 0050	02 0100	02 0100	05 0200	
9	Greece	01 2000	01 2000	01 2000	02 5000	02 5000	
10	Yugoslavia	01 0200	01 0200	01 0200	03 0500	03 0500	
11	Denmark	01 0300	01 0300	02 0500	05 1000	12 2000	4 different settings
12	Norway	01 0300	01 0300	02 0500	02 0500	04 1000	
13	Finland/Sweden	01 0300	01 0300	01 0300	02 0500	02 0500	
14	Hungary	01 2000	01 2000	01 2000	01 2000	01 2000	
15	Ireland	01 0010	01 0010	03 0020	03 0020	10 0050	
16	Great Britain	01 0030	01 0030	02 0050	02 0050	05 0100	
17	USA (1) / Canada	01 0050	01 0050	01 0050	03 0100	03 0100	Dollarbill on chan.5 (P065)
18	USA (2)	01 0050	01 0050	03 0100	03 0100	18 0500	
19	Africa	01 0020	01 0020	03 0050	03 0050	07 0100	
20	Australia	01 0100	01 0100	01 0100	03 0200	03 0200	
21	Netherl. Antillen	01 0400	01 0400	01 0400	01 0400	01 0400	
22	New Zealand	01 0050	01 0050	01 0050	01 0050	01 0050	

Programming the price settings by default values

P060: In order to program the phonograph with the default values of the table, the respective code number is entered after command P060 and confirmed with "H". The setting selected (n = code no. of the table) is automatically matched to the respective price scales.

Enter: P 060 H n H

18 H i.e. price setting: USA

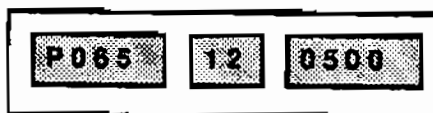


Programming the price settings with custom settings

P061 to P065: The stakes for the individual price scales can also be separately defined. With commands P061 to P065 the respective stake can be programmed. You just have to observe the order of entering the values: P061 is programmed with the lowest and P065 is programmed with the highest price setting. Unused steps may be programmed with zero or with the preceding value (examples see table)

Example of individual price setting: 12 titles for \$ 5,- (price scale 3).

Enter: P 065 H 120500 H



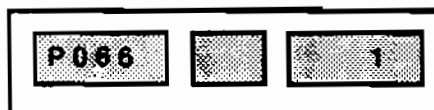
Programming an album bonus

The setting of bonus credits for album selection is done with command P066 in the service program. The following settings are permitted:

- P066:**
- 0: no album selection possible
 - 1: no bonus (default setting), this means credit for each track on the album.
 - 2: 1 bonus for every 5th track,
 - 3: 1 bonus for every 4th track,
 - 4: 1 bonus for every 3rd track.

Setting is confirmed by pressing "H".

Enter: P 066 H 0 H
 1 i.e. no bonus
 ...
 4



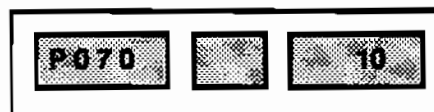
Monetary Value Setting P070 to P078

As with the price setting, the identification of the different coins as related to values processed by the phonograph, can be done automatically with the pre-defined basic values. Table 3 "Monetary Value Settings" shows which setting can be programmed as basic value.

Standard values

P070: The standard values of the table are selected with command P070 "n" + "H" (n = code no. from table 3). Also the default value for the kind of money conversion is set: P077=0

Enter: P 070 H n H
 10 H i.e. USA



"n" is the code number for the setting according to table 3. To avoid erroneous entries, each entry has to be confirmed by "H". This is very important since entry of Code Number "0" cancels the current monetary value setting and no currency acceptance is possible.

Individual monetary values

P071 to P075: The monetary value settings for different coin values of each chute can be individually identified. This is easily done by inserting one or more coins after command P070 has been called up. According to the coin value the program changes to the proper chute command P071 to P075. On display 1 the monetary value of each coin is displayed. This can be changed as needed. Unused chutes have to be programmed with monetary value 0.

Entries occur in the smallest counting unit of each currency that makes sense, for example USA: with \$1,- \Rightarrow 0100. Normally the standard setting is sufficient.

Bonus Credits

P076:

With this command another bonus (value n = 0 to 4) is defined: the bonus for paying with bills instead of coins.

Enter: P 076 H n H
3 H i.e. 3 bonus credits



When accepting a bill in chute 5, this bonus is added to the regular credits.

Indirect / direct money to credit revaluation

Use this command to differ between the how and when of the revaluation of inserted coins.

P077:

- 0 + H: Indirect revaluation: inserted coins are stored. At an appointed coins value the credit is defined from the highest possible price setting, including a possible bonus.
- 1 + H: Direct revaluation: inserted coins are revaluated directly after insertion. Then no bonus is possible with multiple insertion of coins.

Enter: P 077 H n H
0 H i.e. indirect revaluation



Programming the electromechanical cash counter

With this setting you can define whether values of inserted coins are counted as value/100 or value/10.

P078:

- 0: Counted as value divided by 100 (example: 10,00 £ \rightarrow counted 10)
- 1: Counted as value divided by 10 (example: 10,00 £ \rightarrow counted 100)

Default value = 0.

Enter: P 078 H n H
0 H i.e. divide by 100



Table 7: Monetary Value Settings

Table No.	COUNTRY	channel 1(P071)	channel 2(P072)	channel 3(P073)	channel 4(P074)	channel 5(P075)	Remarks, example for 1 chan.
0		0	0	0	0	0	no coin conversion
	mechanical coin acceptor						
1	Germany, Switzerland, Venezuela	100	500	200	0	0	100 = 1,-DM 100 = 1 sfr 100 = 1,-Bol
2	Belgium	0	2000	500	0	0	2000 = 20 Bfr
3	Netherlands	25	250	100	0	0	250 = 2,5 hfl
4	Denmark, France	100	500	1000	0	0	100 = 1 dkr
5	Austria	500	2000	1000	0	0	500 = 5 ÖS
6	Italy	200	100	500	0	0	200 = 200 L
7	Spain	0	25	100	0	0	25 = 25 Pst
8	Finland, Norway, Yugoslavia	0	500	100	0	0	500 = 5 mK 500 = 5 Kr 500 = 5 Din
9	Great Britain, Ireland	20	50	10	0	0	20 = 20 p
10	USA	10	50	25	0	100	10 = 10 c, 100 = 1 \$
11	Canada	0	25	0	0	100	25 = 25 c, 100 = 1 \$
12	Union of South-Africa	20	100	50	0	0	20 = 20 c, 100 = 1 R
13	Australia	100	50	20	0	0	100 = 1 \$
14	Netherl. Antillen	0	100	25	0	0	100 = 1 NAF
	electronic coin acceptor						
15	Germany, Switzerland, Italy	500	100	0	200	0	500 = 5,-DM 500 = 5str 500 = 500 L
16	Belgium	5000	500	0	2000	0	100 = 1 Bfr
17	Netherlands	25	250	500	100	0	25 = 25 c, 500 = 5 hfl
18	France	1000	200	100	500	0	1000 = 10 F
19	Denmark, Austria	2000	500	100	1000	0	2000 = 20 dkr 2000 = 20 ÖS
20	Spain	200	50	25	100	0	200 = 200 Pst
21	Greece	0	50	20	0	0	50 = 0,5 Dr
22	Norway	1000	100	0	500	0	1000 = 10 Kr
23	Finland	0	500	100	0	0	200 = 200 L
24	Sweden	500	100	0	100	0	500 = 5 Kr
25	Great Britain	100	20	10	50	0	100 = 1£, 20 = 20 p
26	USA	100	25	0	50	0	100 = 1\$
27	Canada	10	100	25	0	0	10 = 10 c, 100 = 1 \$
28	Australia	0	100	20	200	0	200 = 2 \$
29	Netherl. Antillen	0	0	100	0	0	100 = 1 NAF
30	New Zealand	50	10	5	20	0	50 = 50 c

Chutes entered with "0" on this table are blocked. Be careful to block the coin pathways, so that these coins will not be accepted and are rather expelled through the coin return.

Programming Real Time Clock P080 to P082

The most important update to the ES-V technology is the implementation of a real time clock. Referring to the data supplied by the clock, a number of functions have been developed that are dependent on chronological data for start and stop times. Together with the weekday programming which continues to be available, an "automatic program" for a whole week can be developed during which all functions operate automatically. The real time clock runs quartz-precise with a battery backed power supply if the phonograph is turned off. The clock runs on military time.

Set time

P080: Use this command to set the time of the phonographs control unit. The newly set minute information starts the counter for seconds automatically at zero.

▲ 1 hour +1	2	▲ 3 minute +1
4 12:00	5 00:00	6 30 minutes
▼ 7 hour -1	8	▼ 9 minute -1
C Cancel	0	H Step to the next command

Figure 36: Key pad layout for command "set time"

Enter: P 080 H

change per pressing keys
i.e. 10.45 h



Set date

P081: Use this command to set the date information of the phonographs control unit. The date is shown on displays 2 and 3.

Enter: P 081 H

change per pressing keys
i.e. May 21, 1992:



▲ 1	▲ 2	▲ 3
day +1	month +1	year +1
4	5	6
▼ 7	▼ 8	▼ 9
day -1	month -1	year -1
C	0	H
Cancel		Step to the next command

Figure 37: Key pad layout for command "set date"

Set day code

P082: Use this command to set the day code for the week-day of the previous set date.

	1	2	▲ 3
			day code +1
	4	5	6
	7	8	▼ 9
			day code -1
	C	0	H
	Cancel		Step to the next command

- Day-code
- 1 = Monday
 - 2 = Tuesday
 - 3 = Wednesday
 - 4 = Thursday
 - 5 = Friday
 - 6 = Saturday
 - 7 = Sunday

Figure 38: Key pad layout for command "set day code"

Enter: P 082 H

change per pressing keys
i.e Thursday is 4:



After confirming one week-day entry the jukebox switches to the next week-day.

The data supplied by the real time clock are processed by commands P090 to P135 (described as follows) for the so-called time windows. Here the entry of the time window values also occurs via the illustrated key pad layout.

Furthermore the information of time and date are used for the print-out of statistical data to the DATA-print (P030 and P031).

Programming Free Credits P090 to P095

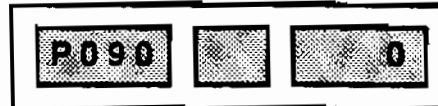
Using the commands of command group P09x the operator is able to give free credits (music selection without coin insert) at specified times.

The amount of free credits are set as well as the time periods.

All times are based on a 24-hour clock (ie: afternoon times are from 13:00 to 23:00)

P090: Set P090 = 0; a standard setting cancels automatically the previous setting. The time factor is set to zero, so there are no automatic time periods for free credits.

Enter: P 090 H 0 H



P091: To set the starting time for the time window "free credit", the key pad is used (see P080).

Enter: P 091 H

Set by pressing keys
i.e. starting time 12:34
confirm setting with key "H".



P092: Here the stop time of the time window is set (see P080).

Enter: P 092 H

Set by pressing keys
i.e. stopping time 13:45
confirm setting with key "H".



P093: Here the day is chosen on which the determined time window is to become active.

On the middle display the days (according to the programs of P082) are shown through numbers 1 to 7. Each weekday can be activated individually. "1" means active on that day. "0" means non-active. The inputs must be confirmed by pressing "H".

To simplify the entries it is defined that the whole week is active with "0" or "1" (for all days).

Enter: P 093 H

0 or 1 H
Set per pressing keys
i.e. monday is inactive
confirm setting with key "H".



After confirming one day's entry the software steps to the following day.

P094: Entering the number of free credits.

Different settings are possible:

- 0: No free credits possible (default setting).
- <200: Limited free credit. Free credits can be used one at a time subtracts from total input.
- =200: Unlimited free credit while time window is active.
- =201: Switching between no free credits and unlimited free credits while time window is active. Switching via remote control.
- =202: Free play automatically while time window is active. If non-active switching is done via remote control.

Enter: P 094 H 200 H
i.e. no free credit:



P095: Mode of rebuilding free credits.

Different settings are possible:

- 0: No automatic rebuild of free credits. Free credits only once in a service periode (default setting).
- 1: Daily rebuild of free credits at midnight.
- 2: Weekly rebuild of free credits at midnight between Sunday and Monday.

Enter: P 095 H 0 H
i.e. no rebuild:



Note: If all entries in P091, P092, P093 are set to "0" and if P094 is not set to "0" the time window will always be active.

Programming Background Music P100 to P108

The phonograph operator can call up the background mode. This operational mode remains even after a power failure. If money is inserted into the machine and a title selected, the background music is faded out and the paid for selection is started.

P100: If the command P100 is called up and "0" is entered and confirmed with "H", the default setting is activated because all settings of group P10x will be set to 0.

Enter: P 100 H 0 H

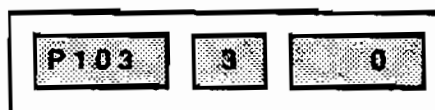


With command **P101** the starting time and with command **P102** the stopping time is set for the time window of background music. Key pad layout see P080.

P103: With command P103 the week-days are set when background music should be played. Key pad layout see P082.

Enter: P 103 H 0 or 1 H

*Set per pressing keys
i.e. wednesday inactive:
confirm settings with key "H"*



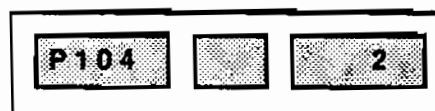
With confirming one entry the software steps to the following week-day.

P104: With command P104 the mode of operation is set. Three types are possible:

- P104 "0" no background music. This value is the factory setting.
- P104 "1" allows starting and stopping background music by pressing background key on machine or on remote control.
- P104 "2" automatically plays background music at defined times of the time window.

Enter: P 104 H n H
2 H

*i.e. automatically
within the time window*



P105: What is played as background music, is also determined by the operator. With command P105, followed by 20 four-digit entries, 20 titles or albums can be determined. With no entry in P105 all CDs (defined by P042 to be selectable) are played.

Enter: P 105 H nnnn H

i.e. first entry: CD #17 title 3



P106: A new function is the "Patron Selection". With command P106 the operator determines whether the selected titles for background music can also be chosen by other customers.

P106 "0" titles and albums free for selection,
 P106 "1" titles or albums are locked.

Enter: P 106 H n H

0 H i.e. titles are not locked:

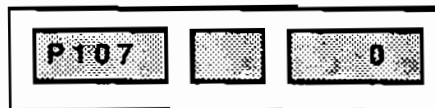


P107: The titles selected in P105 are played in the sequence selected in P107.

P107 "0" sequence of play in order of entry (FIFO), factory setting
 P107 "1" random play (RANDOM).

Enter: P 107 H n H

0 H i.e. FIFO playing:

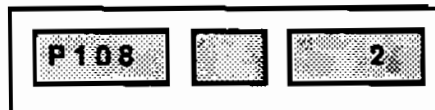


P108: With this step background music can be set up in such a way that it has to be paid for. In this case, every time BGM is turned on "n" credits are subtracted, independent of the number of titles to be played. When n=0 no credits are subtracted.

P108 "0" Background music as in the past, without credit.
 P108 "n" Background music deducts "n" credits (n=1 to 99).

Enter: P 108 H n H

2 H i.e. two credits are deducted:



Programming Auto Play P110 to P117

The phonograph can be programmed to automatically play a title once in a while to attract the audience during stand-by, when no selections are being made. The factory setting (P040=1) makes it possible that any title is played every 15 minutes (P114=15, P117=1).

P110: The standard setting is "no auto play" since with command P110 "0" + "H" all entries in group P11x are set to zero.

Enter: P 110H 0 H

i.e. set default values:

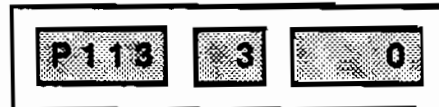


With command **P111** the starting time and with command **P112** the stopping time is set for the time window of auto play. Key pad layout see P080.

P113: With command P113 the days are set on which auto play should be active. Key pad layout see P082.

Enter: P 113H 0 or 1 H

*Set per pressing keys
i.e. wednesday inactive:
confirm settings with key "H"*



After confirming one day's entry the software steps to the following day.

P114: With command P114 the mode of operation is set. Three types are possible:

P114 "0" + "H"

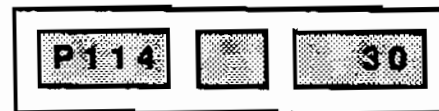
no auto play

P114 "nn" + "H"

time between two titles (nn = max. 99 minutes)

Enter: P 114H nn H

*30 H i.e. all 30 minutes play an
animation title*



P115: With command P115 followed by 20 four-digit entries (value nnnn), 20 titles or albums can be defined. Without entry in P105 all CDs (defined by P042 to be selectable) are played.

Enter: P 115 H nnnn H

i.e. first entry: CD # 97 all titles

P 115		9700
-------	--	------

P116: also defines a "Patron Selection" (see P106) which defines if a title is locked or not

P116 "0" titles and albums are free for selection

P116 "1" titles and albums are locked.

Enter: P 116 H n H

0 H i.e. titles are not locked:

P 116		0
-------	--	---

P117: defines the sequence of play for the titles or albums chosen under P115.

P117 "0" Play in sequence of entry (FIFO)

P117 "1" Play randomly (RANDOM)

Enter: P 117 H n H

1 H i.e. play randomly:

P 117		1
-------	--	---

Programming Advertisements P120 to P127

The broad distribution of CDs has led to advertising for various areas being recorded on CDs. Thus, you have another source of income with phonographs with ES-V technology. Standard value is again "no advertising".

P120: With the command P120 "0" + "H" all entries of group P12x are cancelled (set to zero) and no advertising is played.

Enter: P 120 H 0 H
i.e. set default values:



With command **P121** the starting time and with **P122** the stopping time is set for the time window of advertisement play. Key pad layout see P080.

P123: With P123 the is set for advertisement play. See P082 for key pad layout.

Enter: P 123 H 0 or 1 H
Set per pressing keys
i.e. sunday inactive:
confirm settings with key "H"



After confirming one day's entry the software steps to the following day.

P124: With P124 it is set if or if not and how much time between advertising spots should be allowed.

P124 "0" + "H" no advertisement play
P124 "nn" + "H" time between titles (nn = max. 99 minutes).

Enter: P 124 H nn H
30 H i.e. play a title
every 30 minutes:



P125: With command P125 followed by 20 four-digit entries (value nnnn), 20 titles or albums can be defined.

Enter: P 125 H nnnn H
i.e. first entry: CD # 90 3.title



P126: defines "patron selection" again. See P106.

P126 "0" titles and albums are free for selection
P126 "1" titles and albums are locked.

P127: defines the playing sequence for advertising spots selected with P125.

P127 "0" Play in sequence of entry (FIFO)
P127 "1" Play randomly (RANDOM)

Programming Lock-Out Titles P130 to P135

At certain times it may be necessary to lock-out one or more titles from being played. Perhaps these titles should not be played by minors or are simply damaged (bad playing quality). Standard is that all titles can be played.

P130: With the command P130 "0" + "H" all entries of group P13x are set to zero and no CDs or titles are locked-out.

Enter: P 130 H 0 H

i.e. set default values



With command **P131** the starting time and with **P132** the stopping time is set for the time window for lock-out. Key pad layout see P080.

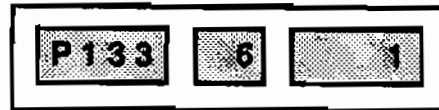
P133: With P133 the day is set. See P082 for key pad layout.

Enter: P 133 H 0 or 1 H

Set per pressing keys

i.e. saturday active:

confirm settings with key "H"



After confirming one day's entry the software steps to the following day.

P134: With P134 "0"+"H" the titles can be selected in the time window; with "1" they are locked-out.

Enter: P 134 H 1 H

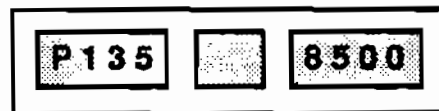
*0 H i.e. all titles are
selectable within the
time window:*



P135 defines a maximum of 20 titles or albums which are supposed to be locked-out. Input occurs with 4 digits for the CD number (nn__) and the title (__nn).

Enter: P 135 H nnnn H

*i.e. 1.entry: CD #85 all titles
etc.*



NOTE: Take care to change entries in P135 (if necessary delete entry) to a certain CD number if you change this CD. To delete an entry you step through the list of P135 by pressing key "H" as long as you reach the right entry. Now enter "0" and confirm with "H".

Or you delete all entries by setting default values with command P130 and "0" + "H".

Programming Happy-Hour-Credits P140 to P144

For additional attraction of the audience this function is implemented.

At defined times of the week additional free credits (Happy-Hour-credits) are given, depending on the number of paid for credits.

Standard setting is that no Happy-Hour-credits are given.

P140: With the command P140 "0" + "H" all entries of group P14x are set to zero so that there is no happy-hour.

Enter: P 140 H 0 H

*i.e. set default values
No Happy-Hour:*



With command **P141** the starting time and with **P142** the stopping time is set for the time window for Happy-Hour-credits. Key pad layout see P080.

P143: With P143 the week-day is set. See P082 for key pad layout.

Enter: P 143 H 0 or 1 H

*Set per pressing keys
i.e. saturday active:
confirm settings with key "H"*



After confirming one day's entry the software steps to the following day.

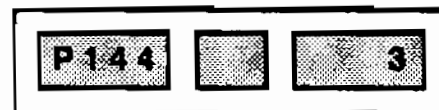
P144: Here a calculated number may be programmed. This number defines how many credits one must have bought to get an additional Happy-Hour-credit.

P144 "0"+"H" no Happy-Hour

P144 "n"+"H" after "n" bought credits (n=1 to 5) 1 additional Happy-Hour-credit is given.

Enter: P 144 H n H
3 H

*i.e. after 3 bought credits
1 additional Happy-Hour-
credit is given*



Initialization and Test Programs P150 to P159

To help the operator when trouble-shooting or servicing, several functions have been incorporated from earlier phonographs. Group 150 to 159 of the test programs includes functions such as read-out of error memory, various continuous run tests as well as input and display tests. For these purposes, the group code (Fx) is shown in the middle display.

Test Programs for Service Operation P150 to P155

P150: Read-out of Error Memory:

- 0: last registered error; see table 8 for "Error Codes" on the next page.
- 1: previous error; the phonograph records the last 20 error reports.
- 2: CD number during which the error occurred.
- 3: Time of error and
- 4: Date of occurrence



Display:

Continuous run tests

With commands P151 to P153 various tests in continuous run mode are executed. A continuous run can only be stopped by using the cabinet switch.

P151: Plays all CDs for 16 sec. (F1):

Enter: P 151 H 0

Start continuous run 1:



CD / Track

number of errors

P152: Plays selected CDs for 16 sec. (F2):

During CD play another number "nnnn" can be entered (continuous run 2). With each entry "Your Selection" will light up on the display panel.

Enter: P 152 H n n n n H
(enter a CD-number)

P153: Other Continuous Play Tests (F3 to F5):

Enter: P n

- 0: All CDs are placed on player, but are not played (continuous run 3, F3).
- 1: 6 certain CDs (CD No. 1, 25, 50, 51, 75, 00) are placed and played 16 sec. each continually (continuous run 4, F4)
- 2: Combination of twice continuous run 3 followed by 4 until cabinet switch is turned off (continuous run 5, F5).

P154: This testing routine is reserved for authorized service technicians to check the function of the CD changers opto couplers.

P155: Display Test (F6):

During the display test all digits of the displays and all control lamps are turned on and off. Pressing "H" will stop the test and continue it after pressing "H" again. The display test does not check the lamps of a light organ that might be connected.

Pressing "C" stops the test.

Enter: P 155 H

- 0: Start lamp test
(Display 2 shows briefly F6)



Table 8: Error Displays

Displays			Possible Causes	Corrections
1	2	3		
Er	01		EPROM contents (CONTROL-UNIT) disturbed.	Change EPROM (IC2).
Er	10		RAM (CONTROL-UNIT) defective.	Change RAM (IC 3). After that reprogram all program steps.
Er	11		RAM contents (CONTROL-UNIT) short-term disturbance.	No correction necessary; program is reinitialized. Change RAM IC 3 if frequently occurring.
Er	12		RAM battery is empty.	Change RAM (IC 3). After that reprogram all program steps.
Er	20		Verification errors in program (CONTROL UNIT).	No correction necessary; program is reinitialized. Change CPU IC 1 if frequently occurring.
Pxxx	Er	30	Memory contents (CONTROL UNIT) lost or missing.	No correction necessary; program step Pxxx (in display 1) is automatically reprogrammed.
Pxxx	Er	31	Memory contents (CONTROL UNIT) incorrect.	Program step Pxxx shown in display 1 must be reprogrammed.
Pxxx	Er	40	Wrong price setting.	Check price setting and reprogram if necessary.
Er	50		Coin mechanism defective. Too much credit. Coin channel failure.	Check coin mechanism.
Er	6x		Error at CD player.	See Er 60 - Er 63.
Er	60		Connection to the CD-player interrupted. No supply voltage present for decoder board or CD player.	Check connection cables to the decoder board, check fuses.
Er	61		No CD recognized by CD player. No CD in CD tray, CD defective. Player defective.	Check CD and exchange if needed. Exchange CD player. Exchange decoder board.
Er	62		Specified track on the CD not found.	Check the CD.
Er	63		Malfunction while playing a CD.	Check the CD player with equipped CD for easy running.
Er	64		Connection to CD changer	Check connection cables and control cable to CD changer. Check fuses.
Er	70		Malfunction of operating control.	No correction necessary.
Er	71		Malfunction of CD changer.	If error display does not disappear after 2 sec., error cannot be automatically corrected. No CD will be played until cabinet switch or "power on" is activated.
	-	74		
Er	71		Error during grip from magazine.	Load CD-tray to magazine. Check alignment from magazine to pickup assy and adjust if necessary. Check function of light barriers sGrL and sGrR.
Er	72		Error during replacing CD in magazine. Malfunction of grip lever.	Check alignment of magazine to pickup assy and adjust if needed. Check function of grip. Check function of light barriers sGrL and sGrR.
Er	73		Malfunction during lift drive. Playing of CD not possible.	Check lift for jamming. Check function and correct adjustment of light barrier Encoder.
Er	74		End position of lift not o.k.. Playing of CD not possible.	Check function and adjustment of light barrier sLift.
Er	80		Short circuit on wallbox signal wire.	Check wallbox connection.
Er	81		Malfunction of the audio processor (CB CENTRALEINHEIT).	Change IC 1 = TDA 4390 if frequently occurring.
Er	90		Title display, three jams in sequence, not functional anymore.	
Er	91		Jam in title display while left movement.	Un-jam
Er	92		Jam in title display while right movement.	
Er	93		Jam in title display, stack left.	
Er	94		Jam in title display, stack right.	

Additional test programs for the service operator

This functions are only allowed to be carried out by authorized service staff, therefore you can find more information only in the Service Manual.

Test of the Control Unit (Input Test "F7")

P156: The input test checks all input ports and shows the results in a matrix on display 3. The test can be stopped by pressing "C". You can find more information only in the Service Manual, because this function is only allowed to be carried out by authorized service staff.

Checking the adjustment of the CD changer

P157: Manual control of CD changer via key pad (F8):

In this test program the CD changer is controlled manually via the keyboard. Several functions are executed by pressing the corresponding key depending on whether a CD is on the laser player or not. This test serves to check the light barrier in the various positions. You can find more information only in the Service Manual, because this function is only allowed to be carried out by authorized service staff.

Adjusting of grip-reference

P158: This function allows the service operator to set in the adjustment of the grips to the CD-trays via display and keyboard of the phonograph. You can find more information only in the Service Manual, because this function is only allowed to be carried out by authorized service staff.

Adjusting of the lift-reference

P159: This function allows the service operator to set in the adjustment of the lift to the CD-trays via display and keyboard of the phonograph. You can find more information only in the Service Manual, because this function is only allowed to be carried out by authorized service staff.

Recording titles into title memory P160 to P163

P160: Recording title quantities of all CDs

After calling up this command, the phonograph searches through all CD trays in both magazines up to the number of CDs defined in P042. During the search it reads the number of titles recorded on each CD and stores this information into the title memory. This command is to be used after initial loading of CD's or if several CDs are exchanged.

The number of titles on each CD is registered in the title memory. Simultaneously, the CD number and amount of tracks are displayed.

Enter: P 160 H 0

i.e. result: CD 01 has 24 titles



P161: Initializing of one CD

After calling up this command and entering the number of the newly installed CD, its number of titles is registered in the title memory. The number of titles from each CD is also read with every normal play. This function serves as single entry cancellation, if a not initialized CD is selected.

Enter: P 161 H nn H

67 H i.e. = CD #67:



P162: Read-out all title memories

After calling up this command and entering the code number, the corresponding CD's data will be displayed.

- 0: Number of titles from CD #01
- 1: Switch to the next CD #
- 2: Return to the previous CD #
- 3: Title number of any CD



With P162,3 the two-digit CD number must be entered and confirmed with "H".

P163: Erasing entry in title memory

All entries in the title memory are set to 1. So all CD titles are cleared, but the phonograph may access any CD tray. If new CDs are loaded and the command P160 is used you may be sure that all new titles are stored in the title memory.

Enter: P 163 H 0 H



After removing a CD you also have to remove the corresponding CD cover in the display unit.

Switching signal sources for testing the audio amplifier

P164: For test purposes different signal input ports for the 3 intended signal sources can be switched individually. This is done with command P164 by entering different code numbers:

- 0: No signal source active, mute (amplifier turned off)
- 1: CD changer is signal source
- 2: An audio cassette player (tape recorder) is signal source.
- 3: A microphone is signal source.

This "manual" switching occurs automatically in normal play according to the signal source that is turned on.

Enter: P 164 H n H
2 H i.e. for tape recorder:



Interface protocol for COM-port (Bacta-interface)

for GB only

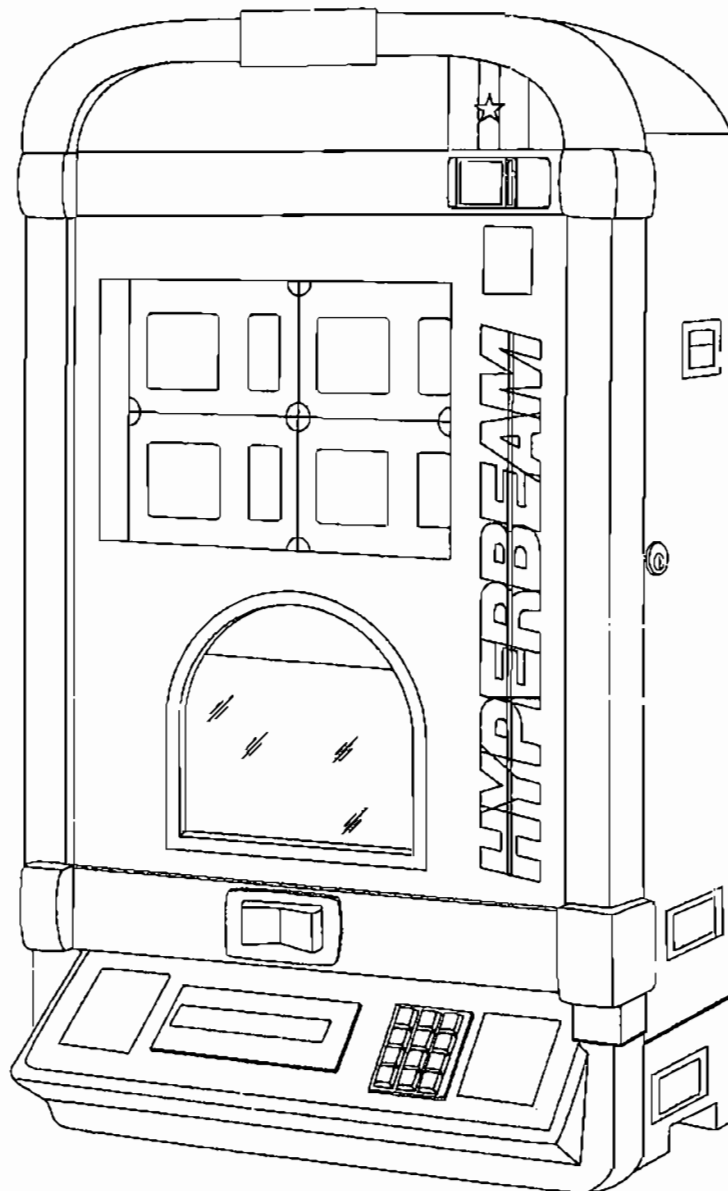
P170: Use this command to switch the protocol and the data transfer rate used for the COM-port of the phonograph.

- 0+H: No protocol for the COM-port
- 1+H: Bacta-protocol
- 2+H: DCL-protocol (DCL = Data Cartridge Loader)
- 3+H: Set data transfer rate to 1200 baud
- 4+H: Set data transfer rate to 2400 baud
- 5+H: Set data transfer rate to 9600 baud
- 6+H: Set data transfer rate to 19200 baud

The interface protocol has been extended. Now it is possible to output cash contents and coin counters of up to 3 phonographs.

NOTE: To activate the change of the interface protocol you have to power-off and again power-on the phonograph.

PERFORMER WALL 2000



Wartung/ Maintenance/ Entretien

6. Section Maintenance

Cleaning the housing of the phonograph

Clean the housing using a soft and humid leather rag.

DON'T USE ANY CHEMICALS FOR CLEANING THE PHONOGRAPH !

Cleaning of the glass and plastic panes

Clean the glass panes of the phonograph using a solvent-free window cleaner.

Attention! Clean plastic panes only using a humid leather rag.

Don't use any chemicals for cleaning the phonograph! Parts of the phonograph could be damaged.

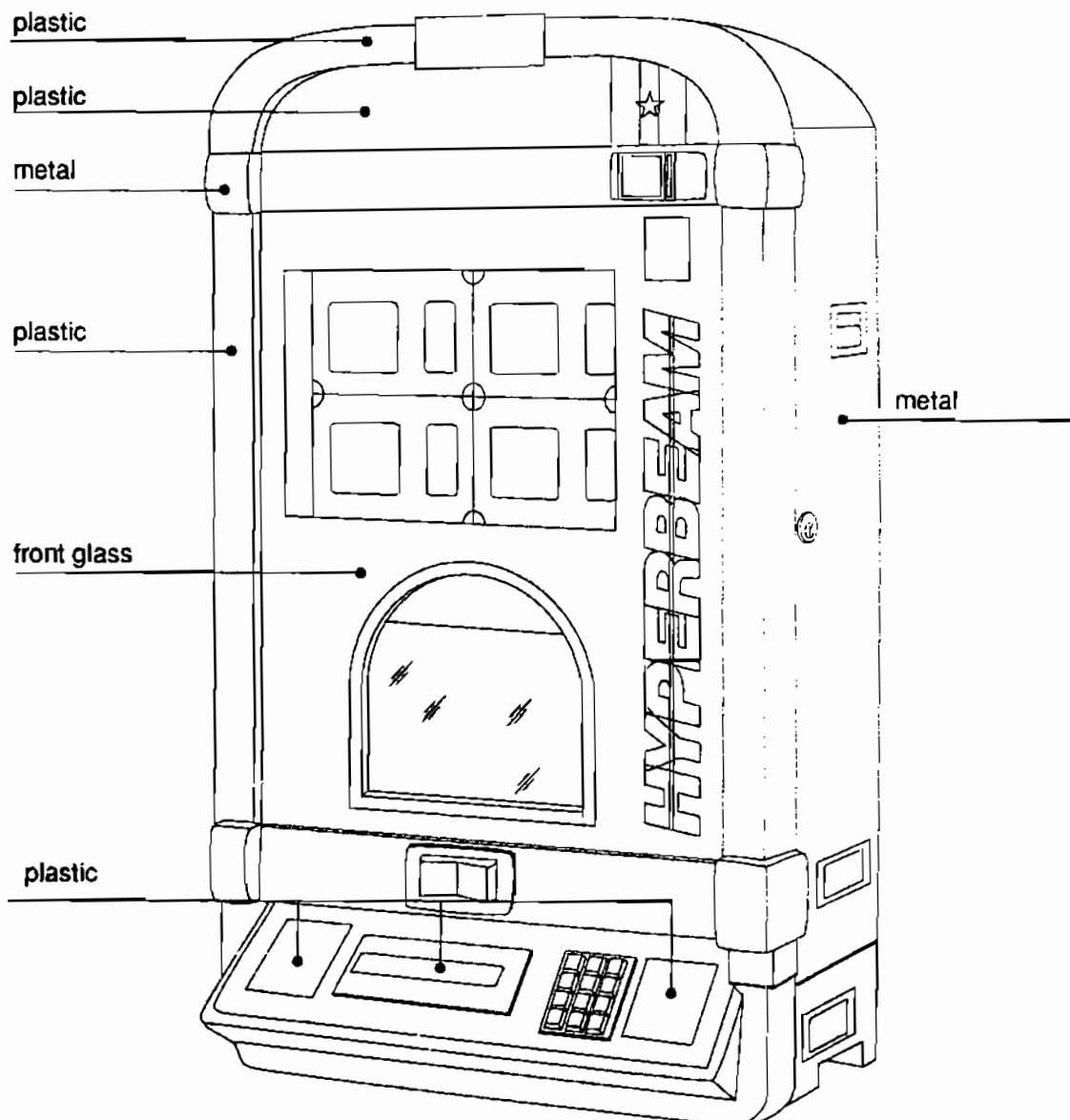


Figure 39: Cleaning of the phonograph

Cleaning the inside of the phonograph

Besides the outside cleaning of the phonograph, the inside has to be cleaned according to the degree of pollution once or twice a year with the help of a vacuum cleaner.

Lubrication chart for the title display

Only the title indication of the phonograph has to be cleaned and lubricated (greased) regularly. Proceed as follows.

1. Take all title holders out of the title display.
2. Clean front and back of the drivers (fig. 36/I) and the inner edges (fig. 36/II, III) of the holder brackets I and II in the lower deck. Remove the old grease. Then slightly grease with Molykote D.
3. Clean the different opto-couplers (fig. 36/IV) with a small pencil from dust and attrition.
4. Before setting in again the title holders clean them with a soft and fuzzy-free cloth. The upper and lower inner edges should be slightly greased with vaseline.

Note: During insertion special care has to be taken that the first holder has to be placed into the last slot of the worm drive of the title display. The next holder has to be inserted into the next slot directly in front of the previous. If you have accidentally skipped one slot, all following title holders have to be removed again.

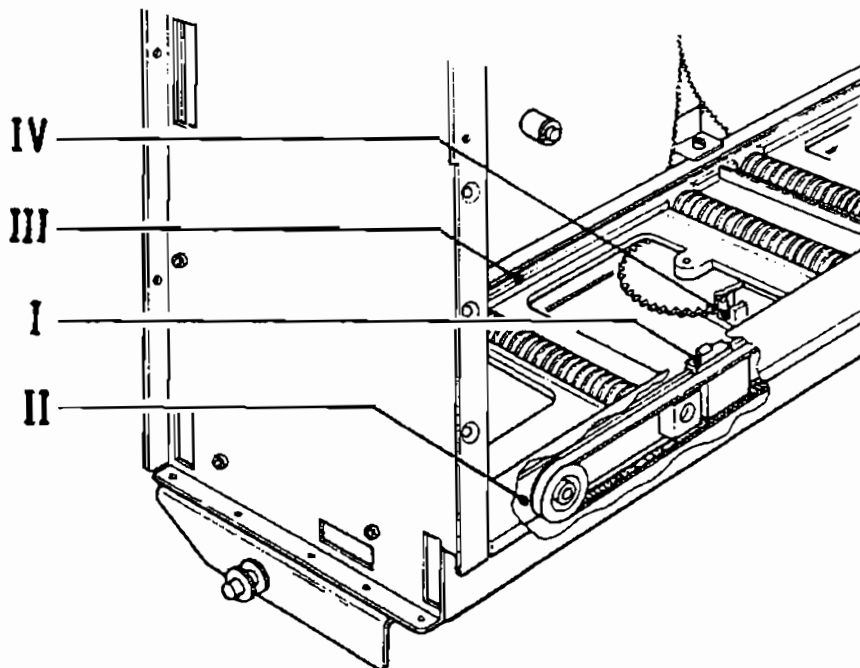


Figure 40: Lubrication chart of the title display

Replacing fluorescent lamps, starter sets, and ballast of the front frame

Replacing the fluorescent lamps 4W within the front frame

- Pull out the mains plug and open the phonograph.
- Open the lock of the relating side on the top right or left and remove the plastic cover.
- Remove the coloured lamp cover from the defective fluorescent lamp and mount it over the new one.
- Set in the new fluorescent lamp and rebuild the front frame.

Replacing the vertically positioned fluorescent lamps 13 W within the front frame

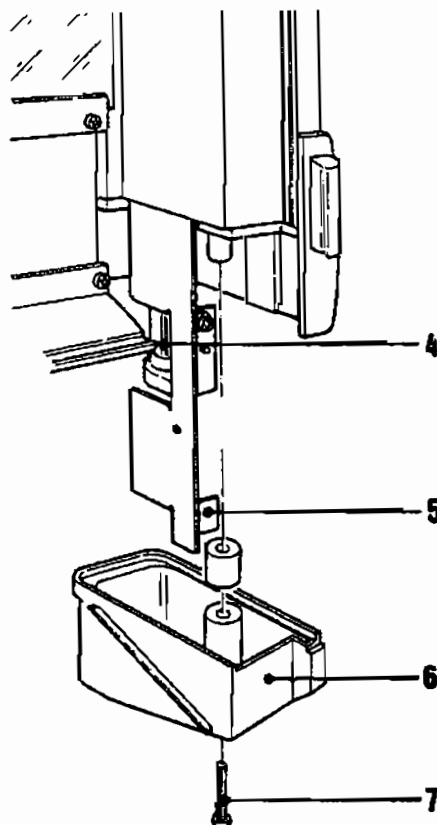
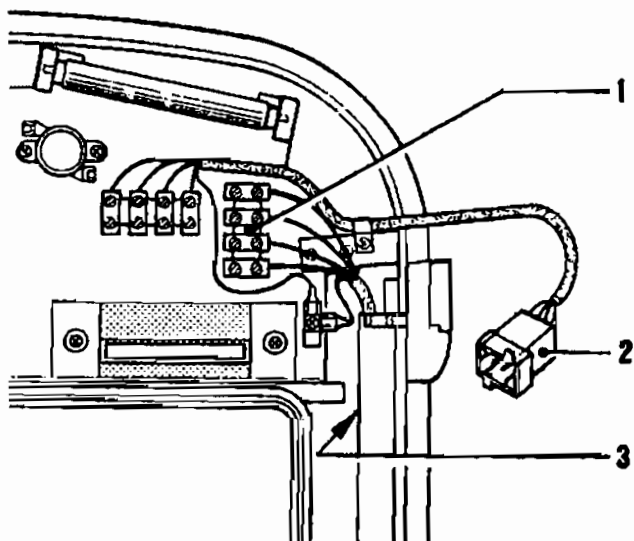
- Pull out the mains plug and open the phonograph.
- Eventually separate leads from the coupling (2).
- Release the wiring in the binding post (1), pull off ground wires.
- Loosen the screw (7) and remove adapter (6).
- Loosen flat head screw (3). Strip the lamp holder (5) with the lamp down to the bottom (4).
- Remove the coloured lamp cover from the defective fluorescent lamp and mount it over the new one.
- Set in the new lamp and rebuild the front frame.

Replacing defective starter

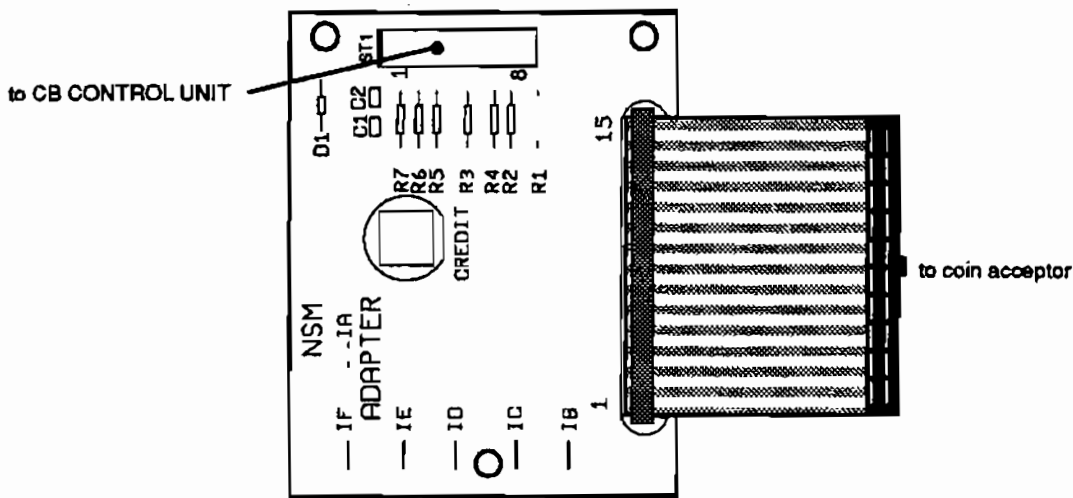
- Pull out the mains plug and open the phonograph.
- Replace the starter set and restart device.

Lamp ballast

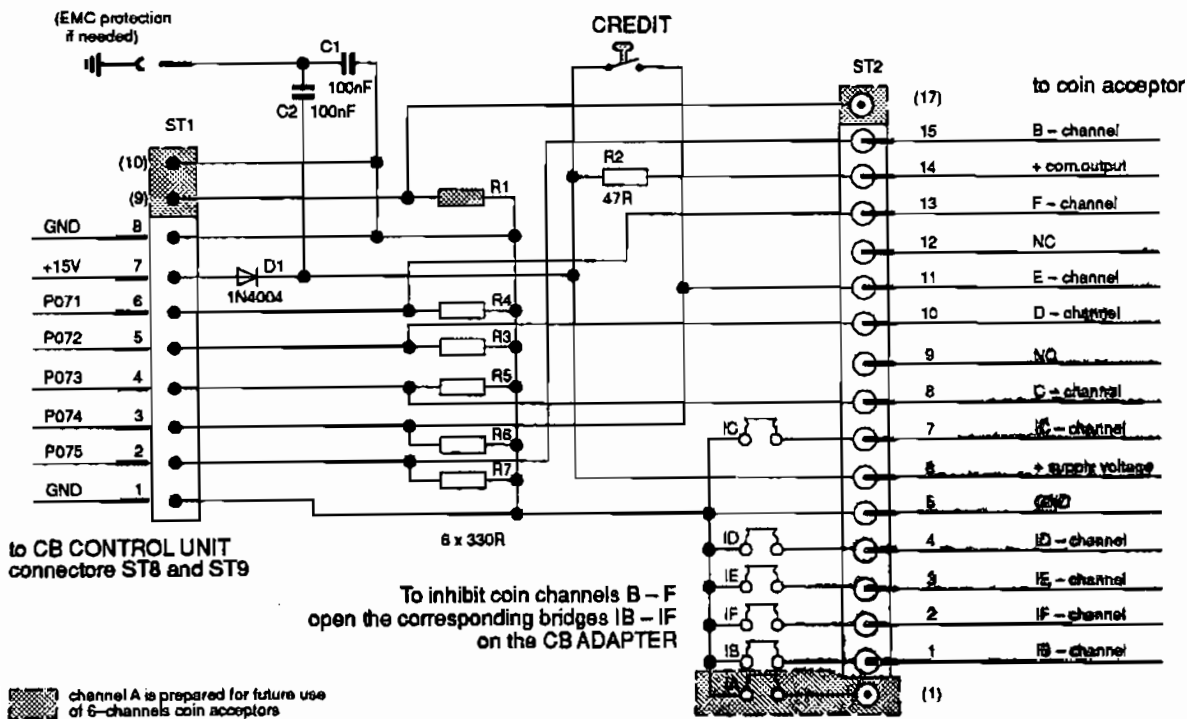
- Pull out the mains plug and open phonograph.
- Loosen cable connectors at the choke and at the coupling of the front frame (2).
- Remove the four screws and take off the cap.
- Exchange lamp ballast and rebuild phonograph.
- Restart device.



The new CB ADAPTER is mounted directly to the holding plate of the coin acceptor



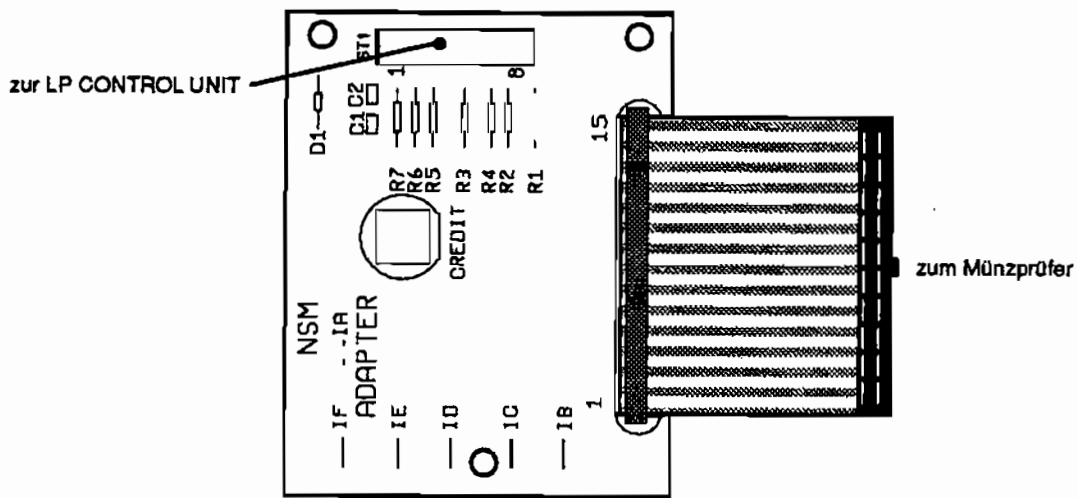
Wiring diagram of the new CB ADAPTER



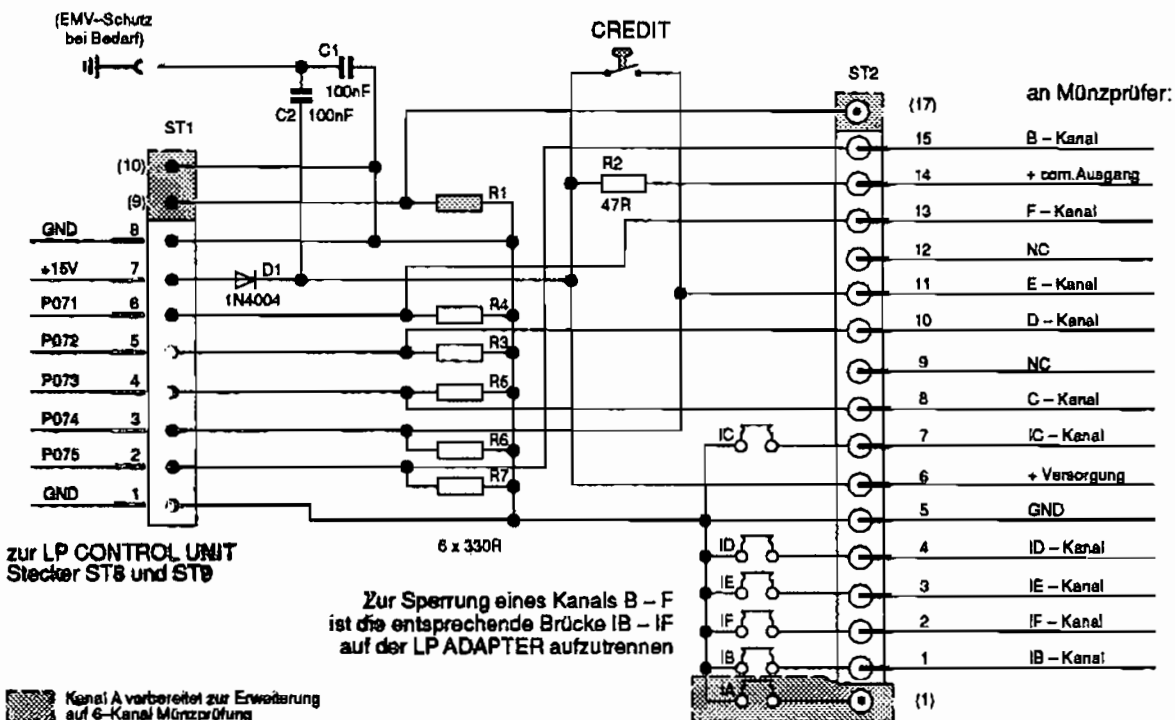
Assignment of the bridges of the new and old CBs for locking / release of channels		Assignment of the coin channels of the new and old CBs to the corresponding programm steps P071 to P075		
new CB	old CB	new CB	Programm-step	old CB
IB	IA5	B-channel	P075	A5*
IC	IA4	C-channel	P073	A4
ID	IA3	D-channel	P072	A3
IE	IA2	E-channel	P074	A2
IF	IA1	F-channel	P071	A1

*The bridges A5/1 and A5/5 of the old CB ADAPTER are no longer used.

Die neue LP ADAPTER wird direkt auf dem Halbleitblech des Münzprüfers befestigt.



Schaltbild LP ADAPTER NEU für MARS CASHFLOW:



Zuordnung der Brücken auf alter und neuer LP zur Kanal-sperrung / -freigabe		Zuordnung der einzelnen Münzkanäle bei alter und neuer LP zu den entsprechenden Programmschritten P071 to P075		
neue LP	alte LP	neue LP	Programmschritt	alte LP
IB	IA5	B-Kanal	P075	A5*
IC	IA4	C-Kanal	P073	A4
ID	IA3	D-Kanal	P072	A3
IE	IA2	E-Kanal	P074	A2
IF	IA1	F-Kanal	P071	A1

*Die bislang benutzten Brücken A5/1 und A5/5 gibt es bei dieser neuen Leiterplatte nicht mehr.