



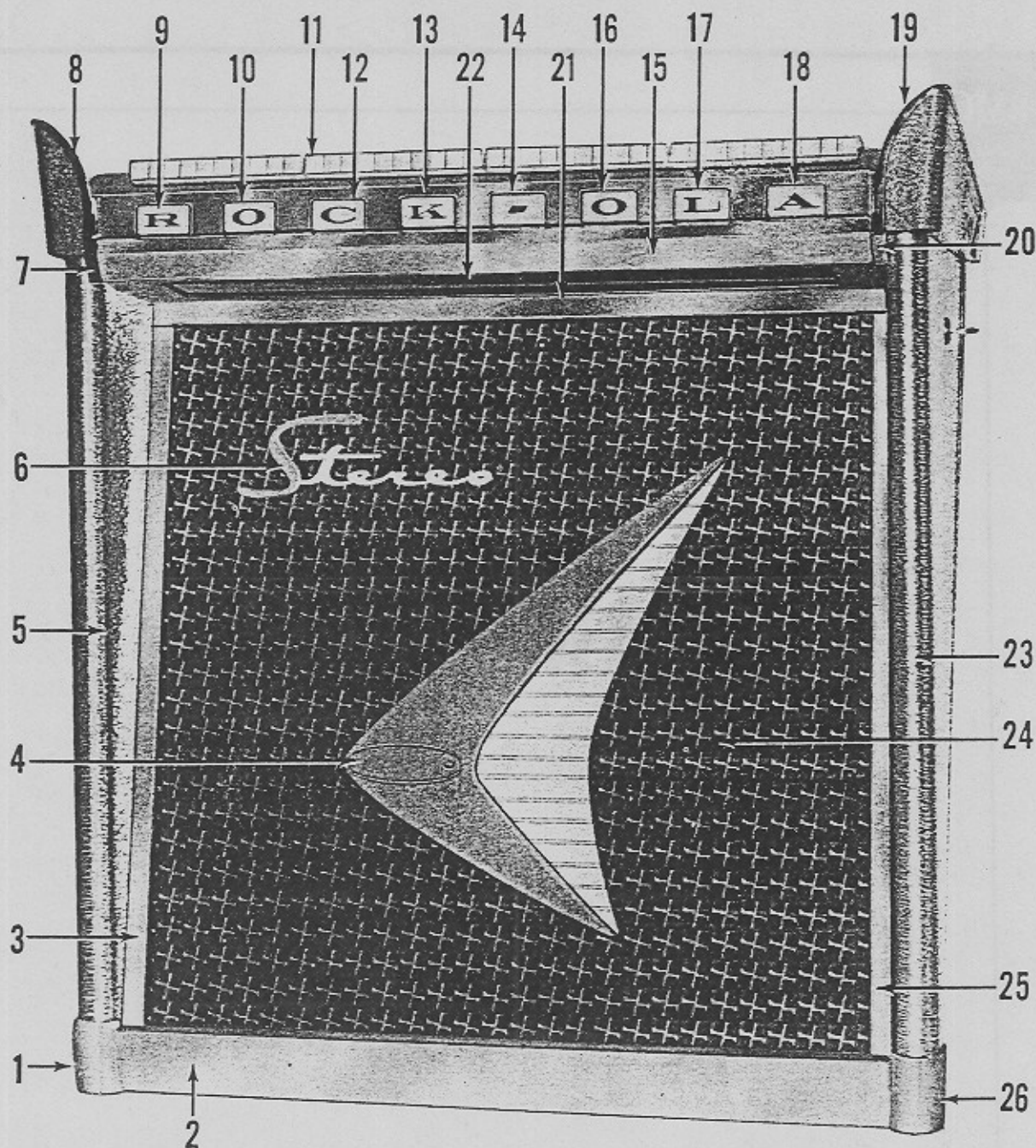
ROCK-OLA

PARTS LIST

FOR

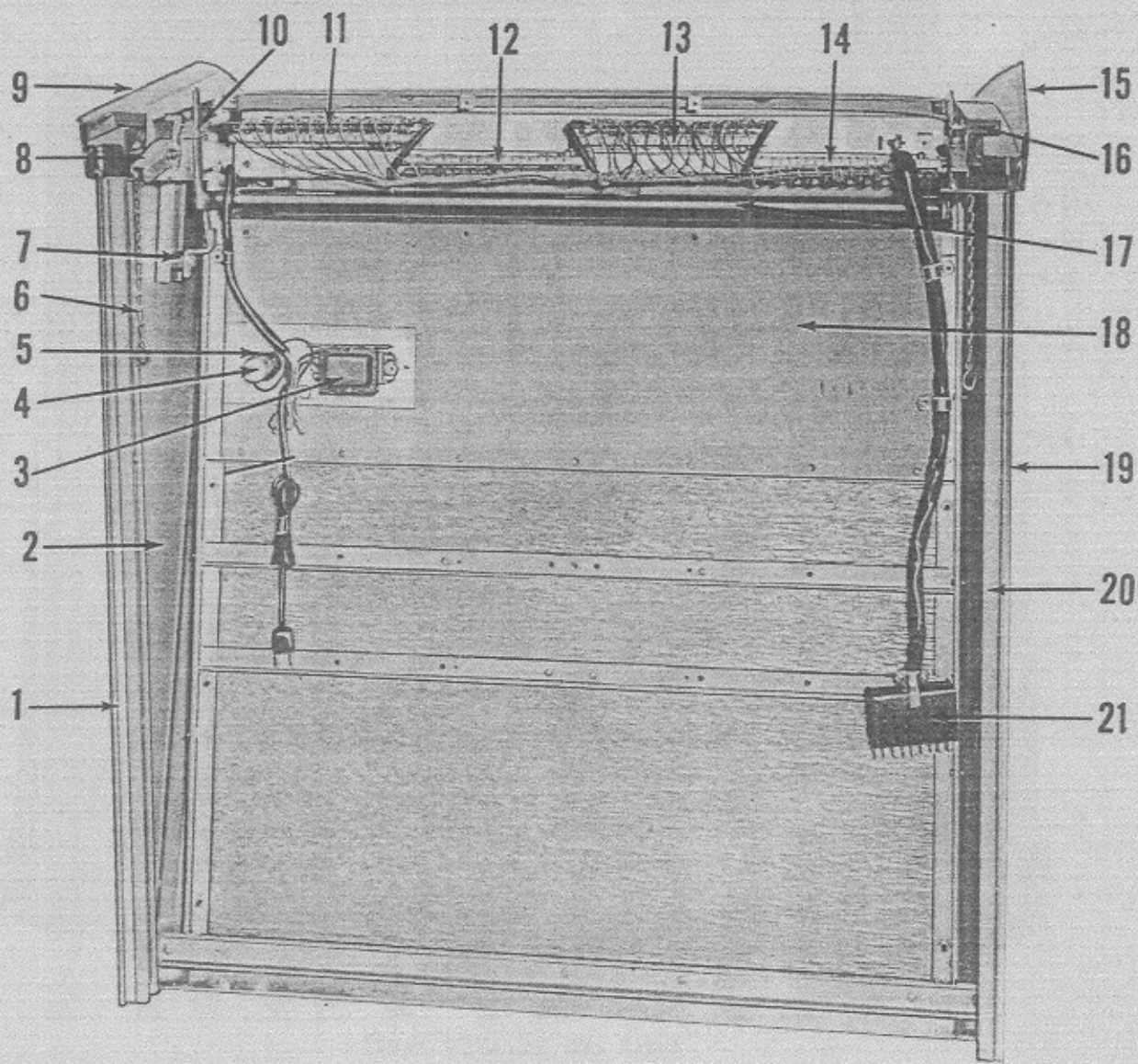
**MODEL 1478
PHONOGRAPH**

ROCK-OLA MANUFACTURING CORPORATION
800 NORTH KEDZIE AVENUE
CHICAGO 51, ILLINOIS



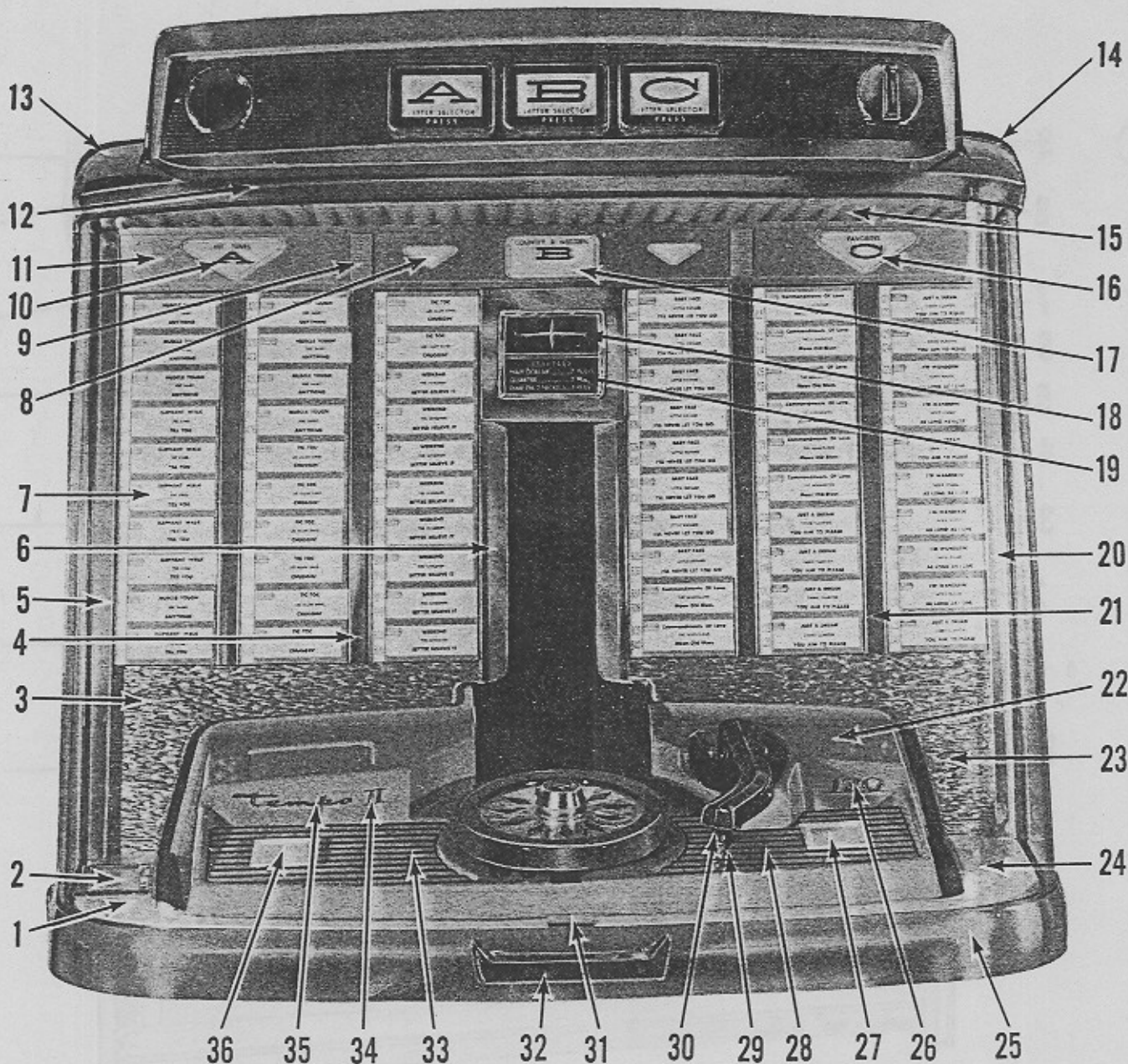
No. 33845-A DOOR ASSEMBLY

Part No.	Description	Part No.	Description
1	32387 Pilaster Cap (L.H.)	14	33597 Rockola Name Button -
2	32466 Grille Extrusion	15	33711 Front Main Casting
3	32520 Moulding Side	16	33594 Rockola Name Button - O
4	33860-A Grille Monogram and Insert Assembly	17	33598 Rockola Name Button - L
5	33536 Pilaster (L.H.)	18	33599 Rockola Name Button - A
6	33694 Stereo Logo	19	32372 Front Fin Casting (R.H.)
7	32550 Fin Cover (L.H.)	20	32549 Fin Cover (R.H.)
8	32373 Front Fin Casting (L.H.)	21	32519 Moulding Top
9	33593 Rockola Name Button - R	22	32640 Color Shield
10	33594 Rockola Name Button - O	23	33535 Pilaster (R.H.)
11	33701 Selector Button (specify number)	24	33647 Grille
12	33595 Rockola Name Button - C	25	32520 Moulding Side
13	33596 Rockola Name Button - K	26	32386 Pilaster Cap (R.H.)



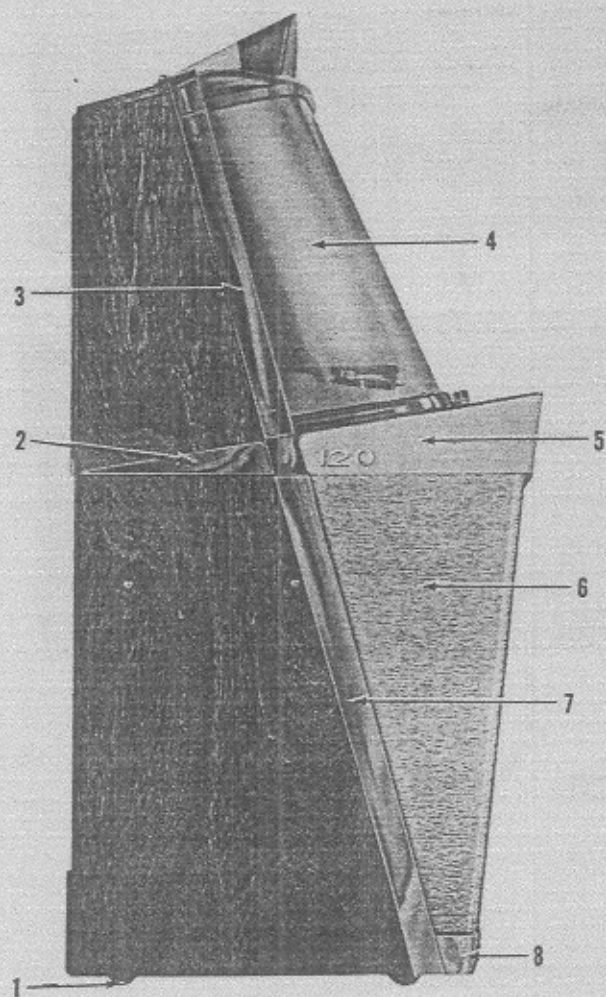
No. 33845-A DOOR ASSEMBLY

Part No.	Description	Part No.	Description
1	32381 Side Extrusion (R.H.)	12	32454 Key Switch Rear
2	33537 Pilaster Insert (R.H.)	13	32455 Key Switch Front
3	17693 Ballast	14	32454 Key Switch Rear
4	11556 Fluorescent Light Starter	15	32373 Front Fin (L.H.)
5	32859 Fluorescent Light Starter Socket	16	33331 Door Latch (L.H.)
6	32959-A Chain and Hook Assembly	17	32955-A Lock Cam and Bar Assembly
7	ST-7408 Lock	18	33704 Grille Backing Plate
8	33330 Door Latch (R.H.)	19	32382 Side Extrusion (L.H.)
9	32372 Front Fin (R.H.)	20	33538 Pilaster Insert (L.H.)
10	32471 Lock Arm Guide	21	15414 27 Contact Plug
11	32455 Key Switch Front		



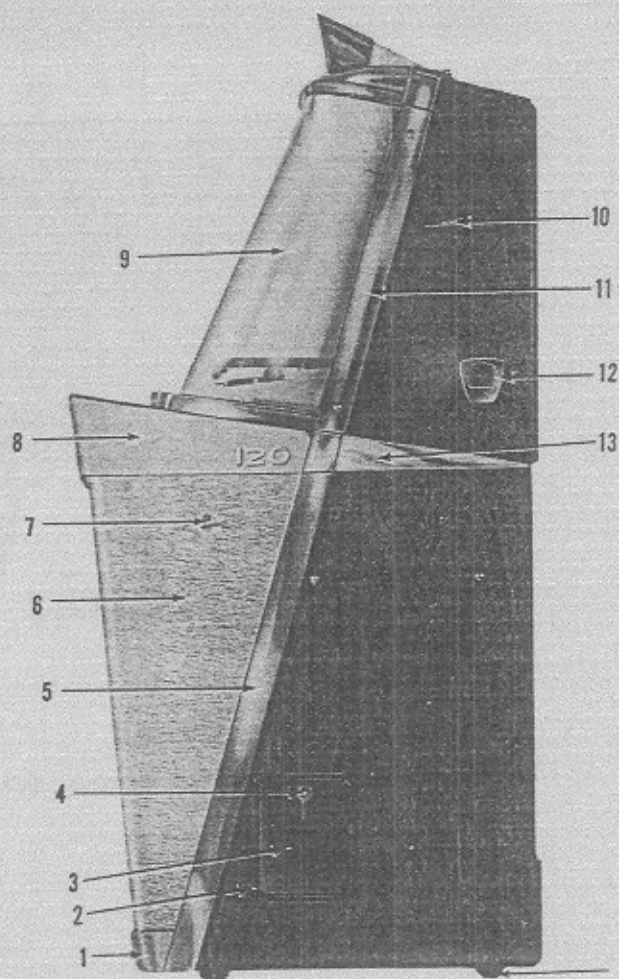
DOME AND RELATED PARTS

Part No.	Description	Part No.	Description
1	33895-A Dress Cap Trim Assembly (L.H.)	19	33674 Pricing Tab (1-3-7)
2	32906 Card Holder	20	33548 Inner Trim Extrusion (R.H.)
3	33898-A Dome Back Panel Riveting Assembly (L.H.)	21	33552 Program Separator Extrusion
4	33552 Program Separator Extrusion	22	33872-A Dress Cap Assembly
5	33549 Inner Trim Extrusion (L.H.)	23	33896-A Dome Back Panel Riveting Assembly (R.H.)
6	33557 Gripper Opening Casting	24	33649 Dress Cap Trim (R.H.)
7	33907-A Program Holder Assembly (specify numbers)	25	32419 Lower Extrusion
8	33760 Indicator Arrow (small)	26	33709 120 Logo
9	33758 Ornament - Dome Program Extrusion	27	33876-A Ornament Assembly (R.H.)
10	33581 Letter (A) Indicator Arrow	28	33692 Dress Cap Insert (R.H.)
11	33546 Dome Program Extrusion	29	33995 Brush Holder
12	32378 Front Casting	30	17008 Brush
13	33894-A Side Casting Assembly (L.H.)	31	32557 Dress Cap Trim Bracket
14	33893-A Side Casting Assembly (R.H.)	32	32622 Hand Grip
15	33570 Light Shield	33	33693 Dress Cap Insert (L.H.)
16	33583 Letter (C) Indicator Arrow	34	33705 Tempo Numeral
17	33763 Letter (B) Indicator Window	35	33056-1 Tempo Logo
18	33659 Star Design Tab	36	33877-A Ornament Assembly (L.H.)



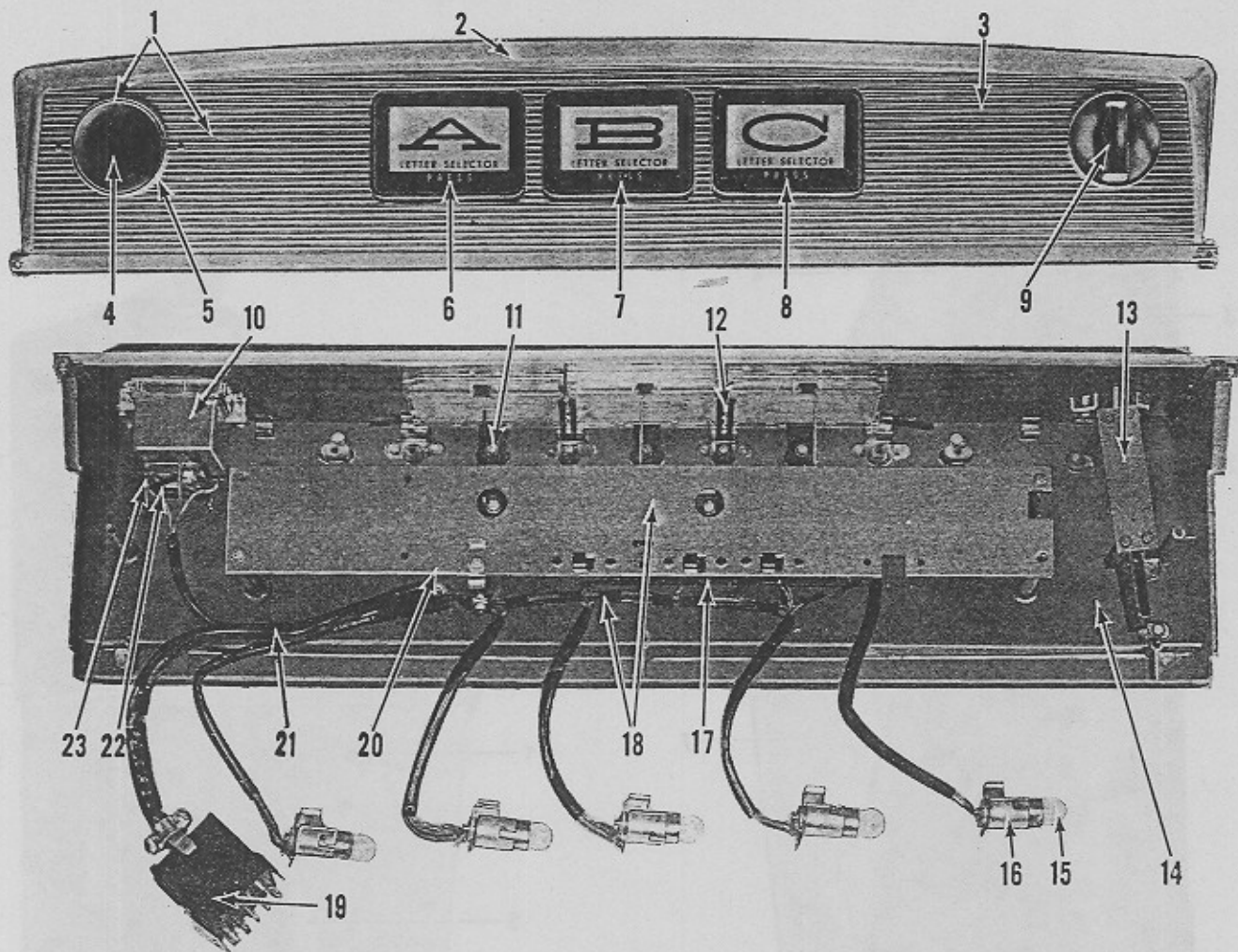
CABINET AND ASSOCIATED PARTS

Part No.	Description
1	ST-6028 Caster
2	32371 Fin Rear (L.H.)
3	32463 Dome Side Extrusion (L.H.)
4	32444 Dome Front Glass
5	33700 Fin Insert (L.H.)
6	33536 Pilaster (L.H.)
7	32382 Side Extrusion (L.H.)
8	32387 Pilaster Cap (L.H.)



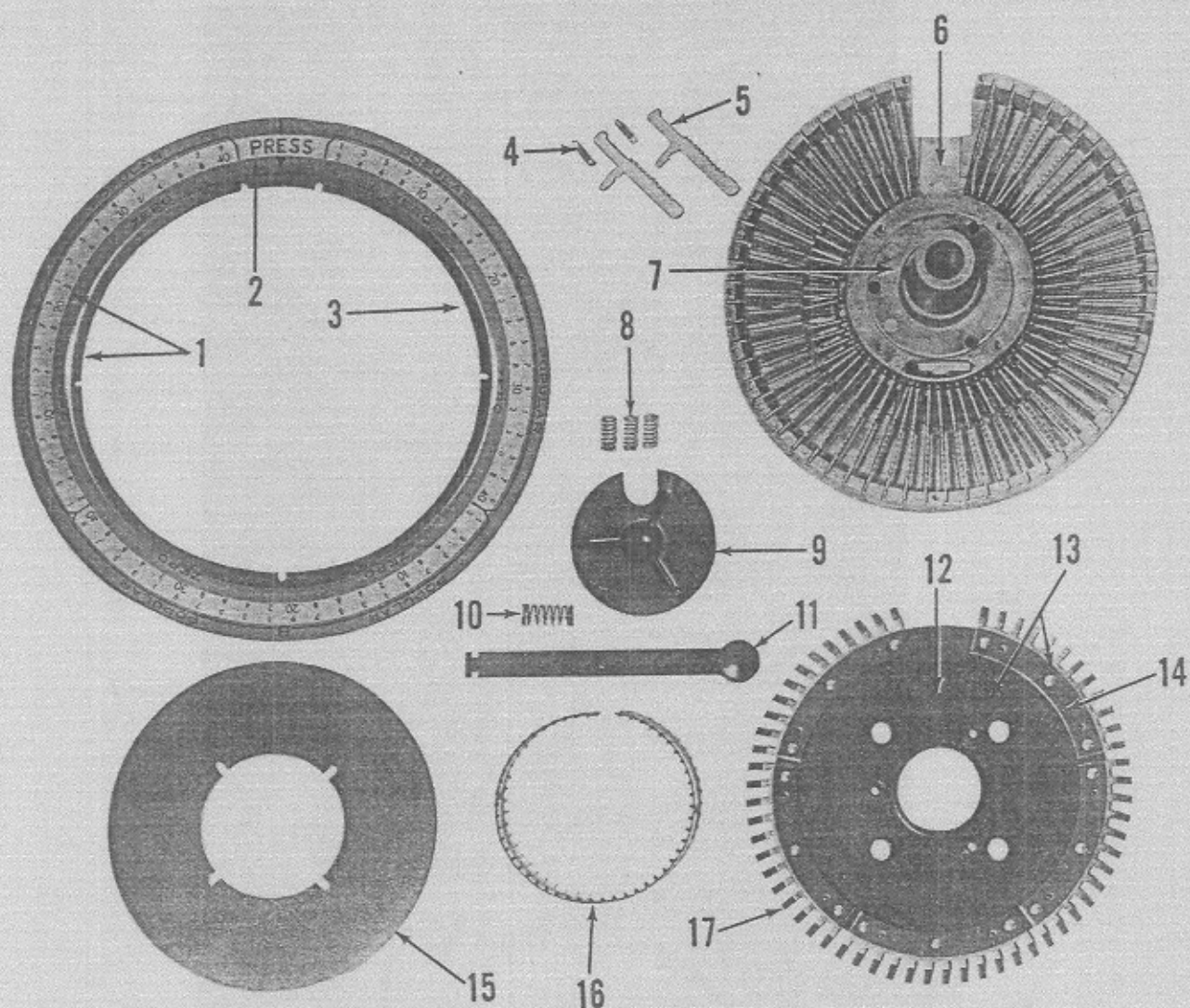
CABINET AND ASSOCIATED PARTS

Part No.	Description
1	32386 Pilaster Cap (R.H.)
2	32355-2 Cash Door Frame
3	32880-2-A Cash Door Assembly
4	ST-7379 Cash Door Lock (W/ST-7407 Latch)
5	32381 Side Extrusion (R.H.)
6	33535 Pilaster (R.H.)
7	ST-7408 Lock and Key
8	33699 Fin Insert (R.H.)
9	32444 Dome Front Glass
10	32551 Coin Return Knob
11	32462 Dome Side Extrusion (R.H.)
12	31965-2 Coin Return Cup
13	32370 Fin Rear (R.H.)
14	ST-6028 Caster



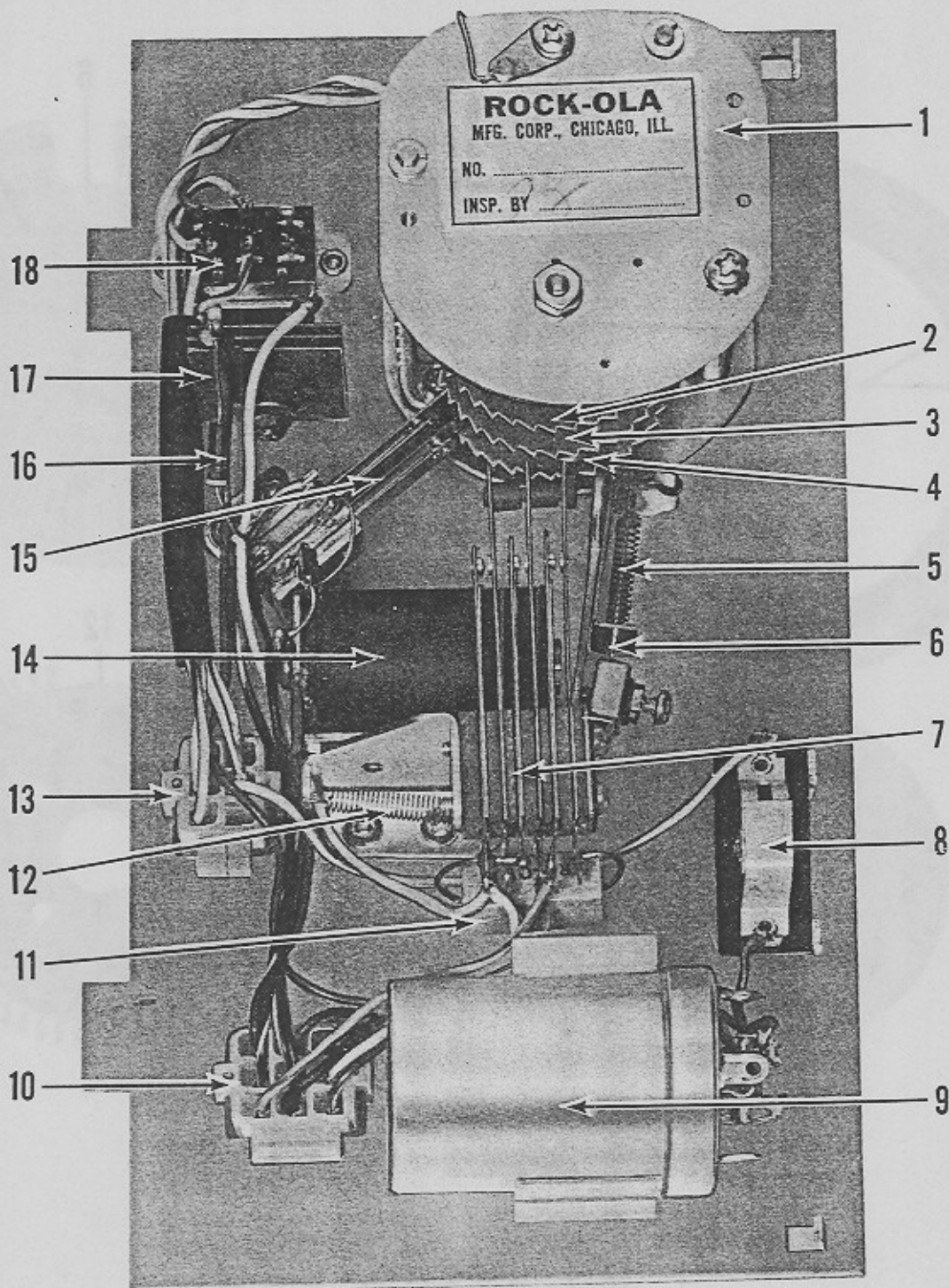
No. 33900-A DOME HOOD CASTING ASSEMBLY

Part No.	Description
1 33902-A	Dome Front Panel Riveting Assembly
2 32379-1	Dome Hood Casting
3 33632	Dome Front Panel
4 33063	Select Glass
5 32588	Select Light Frame
6 33881-A	Letter (A) Button Assembly
7 33882-A	Letter (B) Button Assembly
8 33883-A	Letter (C) Button Assembly
9 32537	Coin Slot Casting
10 32589	Select Light Housing
11 32389	Program Button Retaining Spring
12 32499	Program Button Return Spring
13 32539	Coin Chute Cover
14 32379-1	Dome Hood Casting
15 ST-4336	No. 81 Bulb
16 33561	Light Socket
17 33001	Picture Window Switch
18 33903-A	Switch Mounting Plate Assembly
19 30452	15 Prong Plug and Shell
20 32458	Release Mechanism Switch
21 33905-A	Dome Switch Cable Assembly
22 32777	Light Bracket and Socket Unit
23 ST-3046	No. 44 Bulb



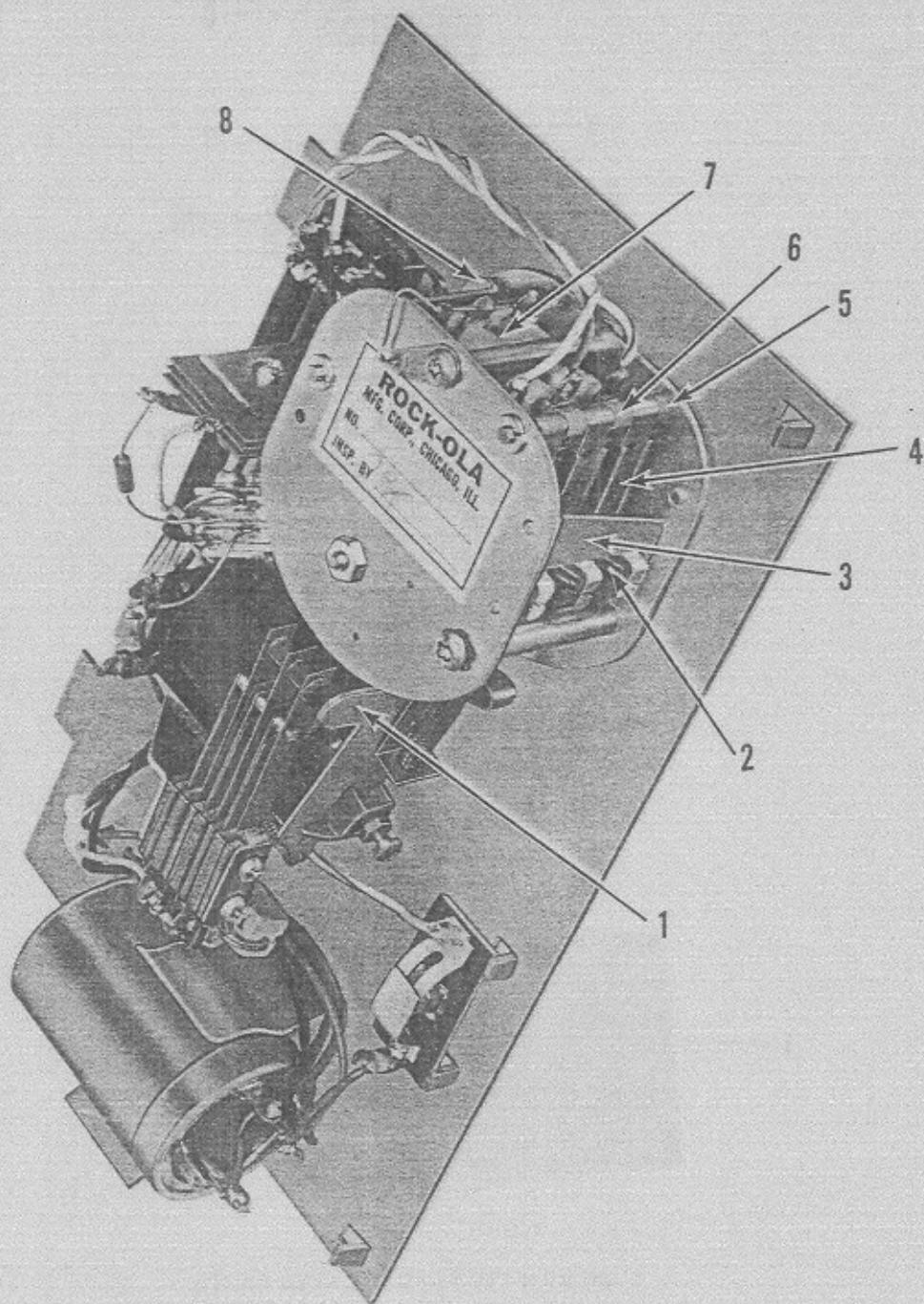
No. 33822-A POPULARITY COUNTER ASSEMBLY

Part No.	Description
1 33821-A	Index Ring and Decal Assembly
2 33533	Counter Decal
3 32440	Index Ring
4 32754	Spring
5 32598	Indicator
6 32409	Counter Casting Only
7 ST-2293	Allen Set Screw
8 32753	Spring
9 32669-A	Reset Button Assembly
10 33059	Reset Spring
11 32599	Reset Lever
12 32439	Reset Ring
13 32674-A	Reset Ring Assembly Complete
14 32432	Comb Retainer
15 32592	Retaining Ring
16 32600	Spring Retaining Ring
17 32430	Comb



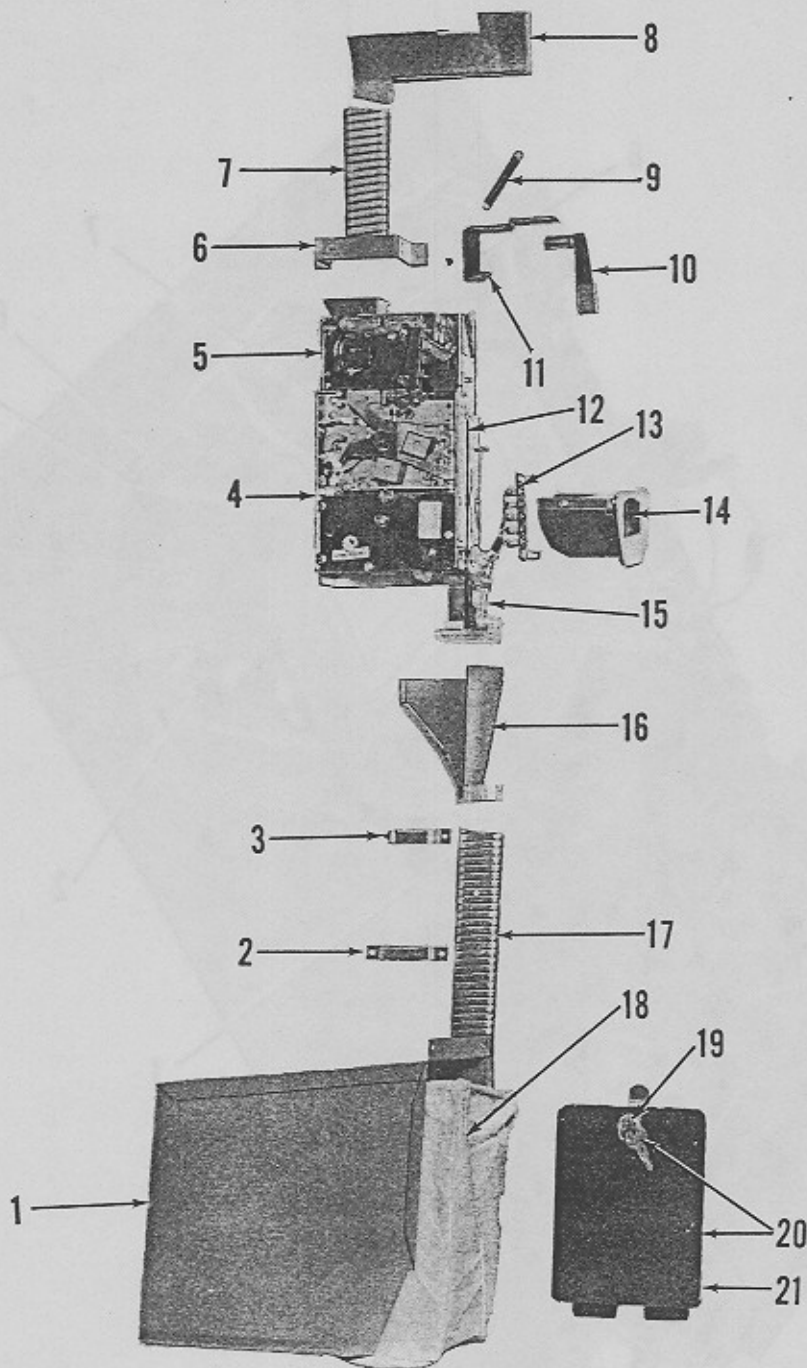
No. 33871-A ACCUMULATOR ASSEMBLY

Part No.	Description	Part No.	Description
1	31200-A Accumulator Assembly	10	33643 Amp Lok Plug - 9 Circuit
2	31214-A Ratchet and Hub Assembly (7 - 50¢)	11	30583 1 Ohm 5 Watt Resistor
3	31258-A Ratchet and Hub Assembly (3 - 25¢)	12	19216 Tension Spring
4	14693-A Ratchet and Hub Assembly	13	33637 Amp Lok Plug - 6 Circuit
5	14028 Compression Spring	14	14030 Coil - Reset
6	17982 Pawl - Reset	15	34000 Control Switch
7	30314 Switch - Selection Impulse	16	14097 47 Ohm 1/2 Watt Resistor
8	15159 Momentary Push Switch	17	16812 Rectifier
9	14416 Accumulator Capacitor	18	31192 Slide Switch



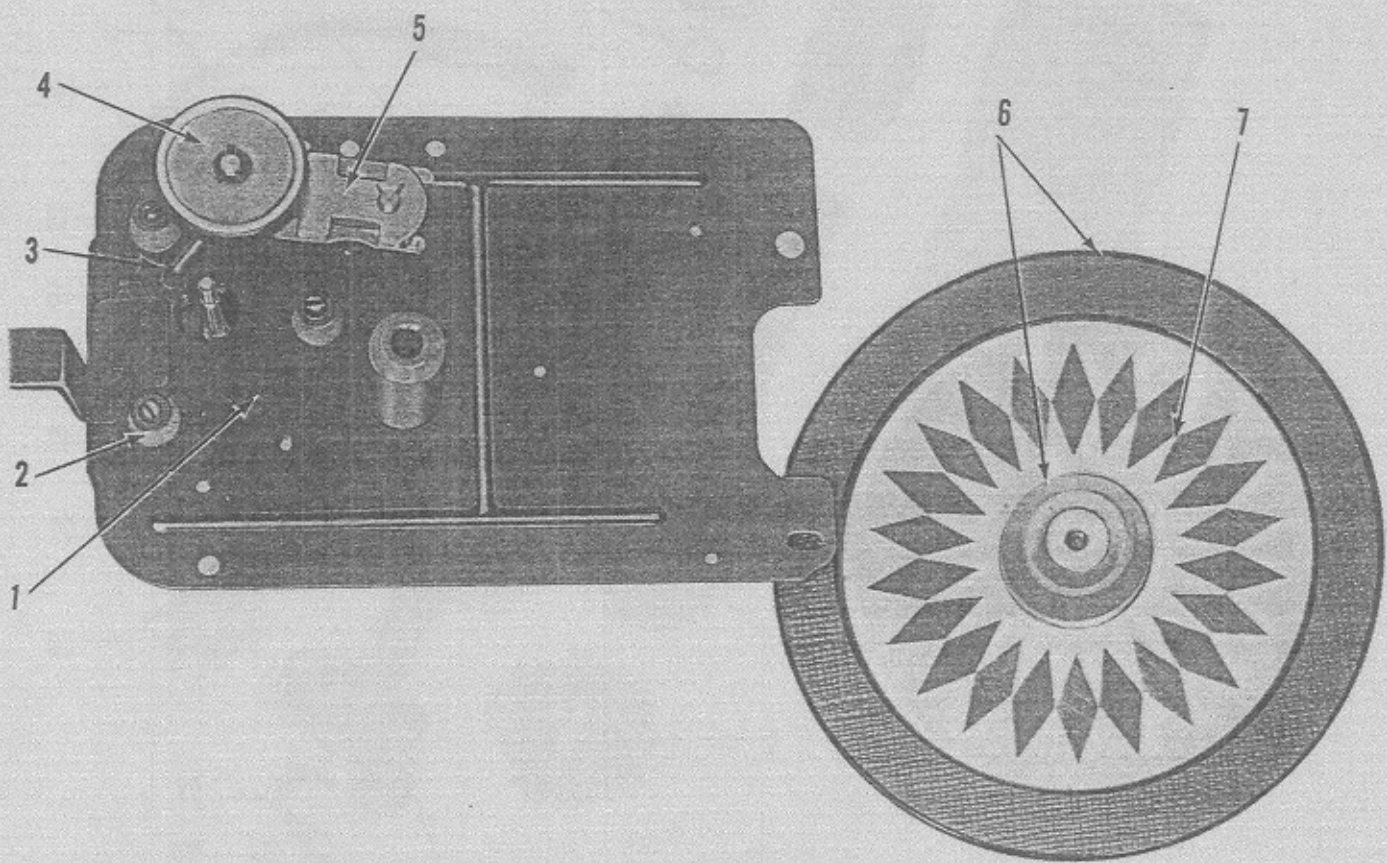
No. 33871-A ACCUMULATOR ASSEMBLY

Part No.	Description
1 19763-A	Reset Armature Riveting Assembly
2 14570	Tension Spring
3 14567	Spring Anchor
4 14014	Armature - Ratchet Detent
5 14017	Spacer - Ratchet Detent
6 14018	Spacer
7 14011	Coil - Electromagnet
8 14579-A	Ratchet Escapement Armature Assembly



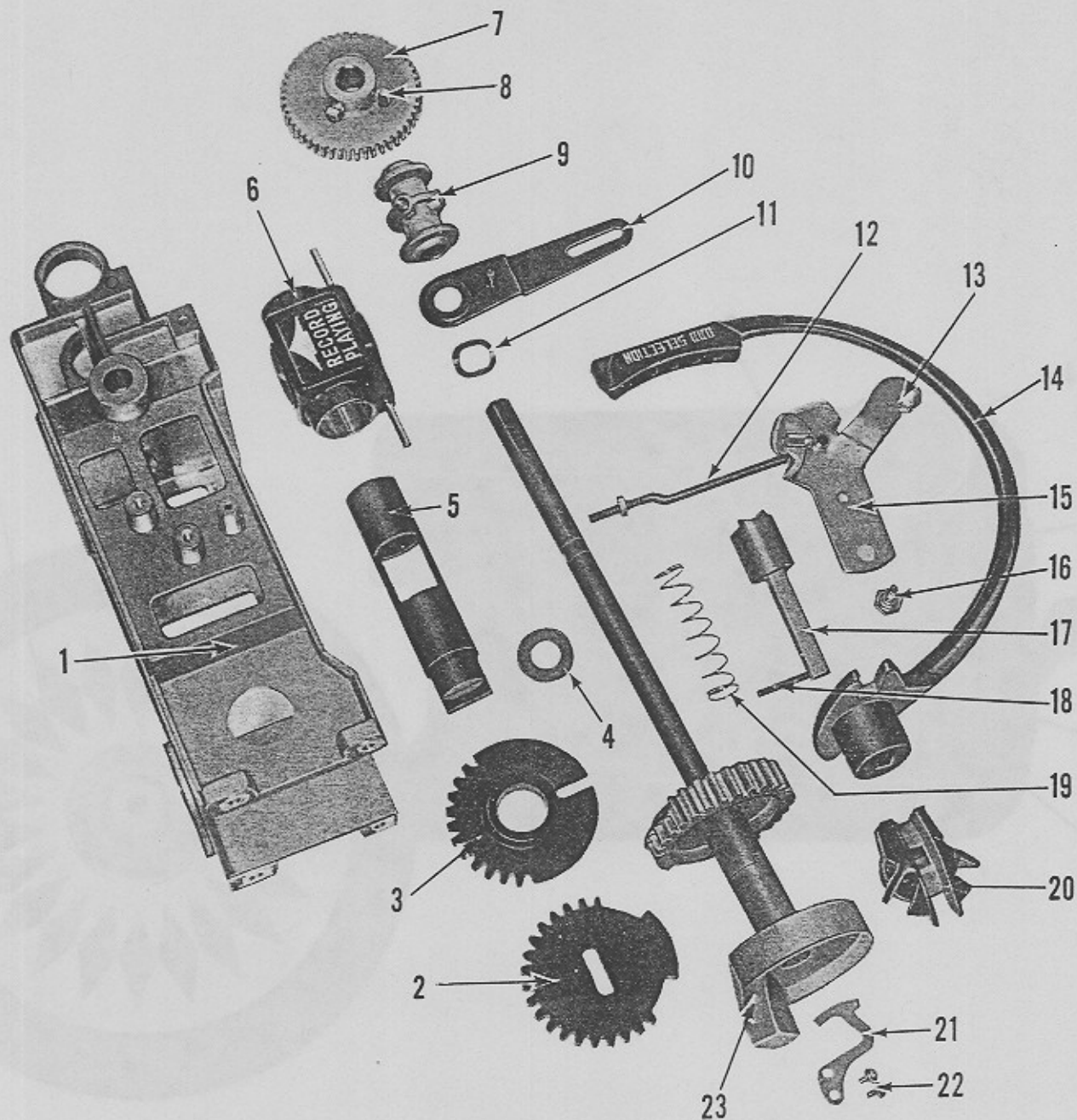
SLUG REJECTOR AND RELATED PARTS

Part No.	Description	Part No.	Description
1	32342-1 Cash Box Housing	12	33018-A Slug Rejector Housing Complete Assembly
2	32965 Clamp	13	32113 5 Lug Terminal Strip
3	13201 Chute Bracket	14	31965-2 Coin Return Cup
4	31317 5¢ - 10¢ - 25¢ Coin Chute	15	14860 Coin Switch
5	31318 50¢ Coin Chute	16	33259-A Coin Chute Lower Assembly
6	32540 Bracket	17	32807 Flexible Coin Chute
7	32879 Flexible Coin Chute	18	32343 Cash Bag
8	33569 Coin Chute Upper	19	ST-7379 Cash Door Lock (W/ST-7407 Latch)
9	32609 Coin Return Spring	20	32880-2-A Cash Door and Lock Assembly
10	32551 Coin Return	21	32354-2 Cash Door Only
11	32553 Coin Return Lever		



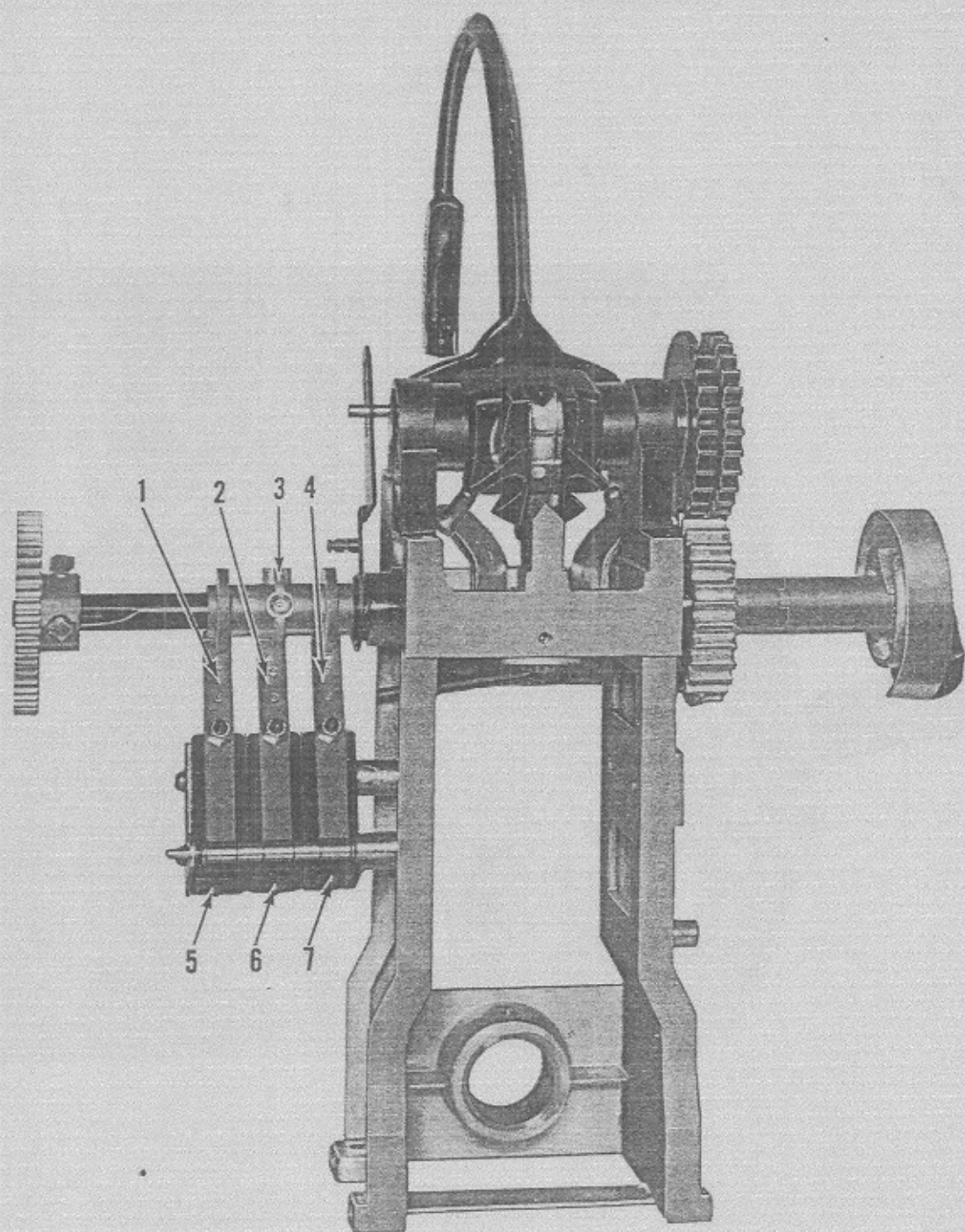
No. 32636 (45 R.P.M.) TURNTABLE MOTOR COMPLETE

Part No.	Description
1 32636	Turntable Motor and Mounting Plate
2 18849	Rubber Grommet
3 30788	Idler Tension Spring
4 30789	Idler Wheel Assembly
5 19950	Spring Plate Assembly
6 34092	Turntable Complete (Less Motor)
7 33688	Turntable Cover Plate



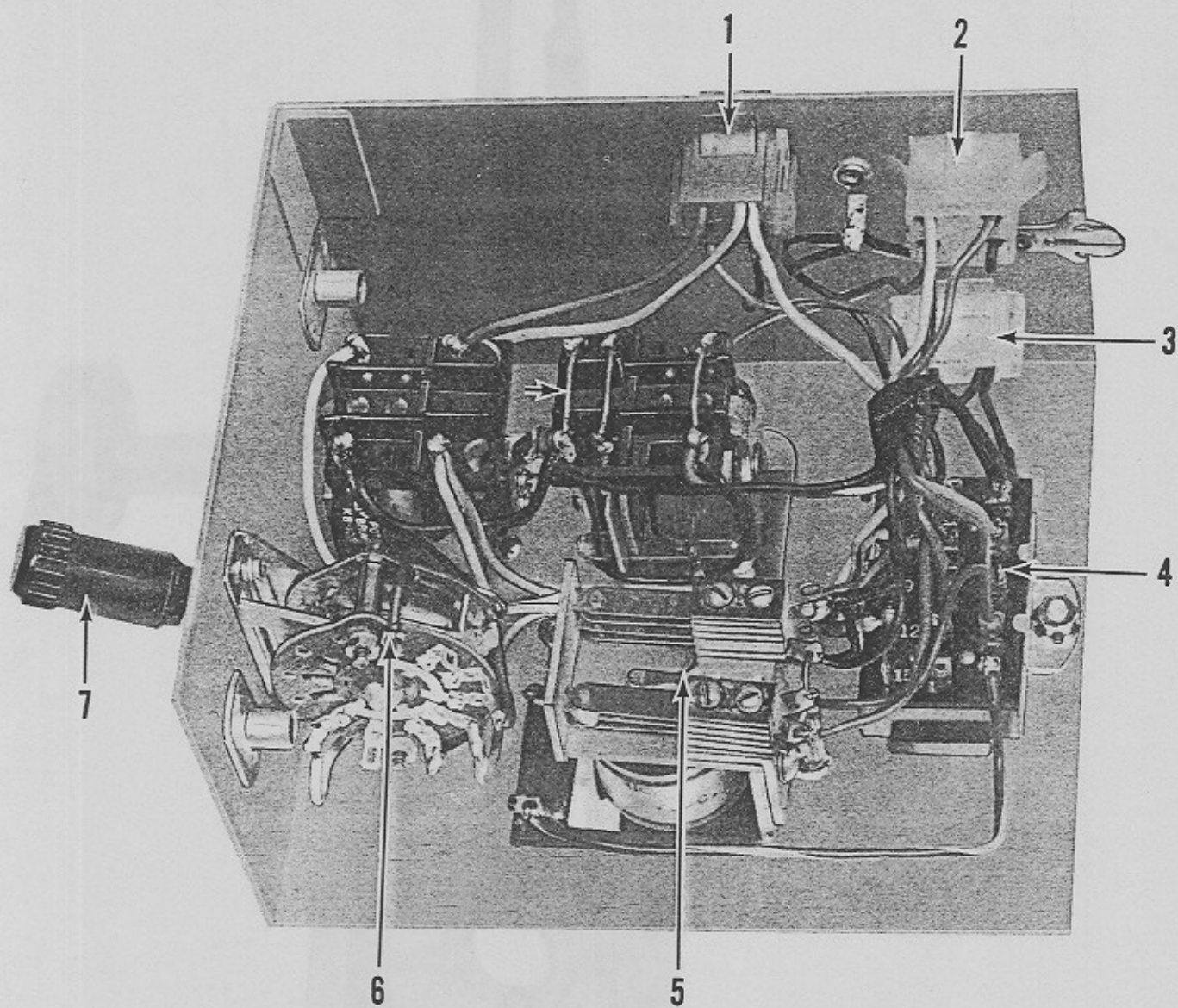
No. 33809-A GRIPPER UNIT ASSEMBLY

Part No.	Description	Part No.	Description
1	19851-4 Gripper Housing	13	30637 Reversing Bracket Pin
2	33131 Gripper Release Gear	14	19853-3 Gripper Arm
3	33130 Gripper Turnover Gear	15	30107-A Reversing Bracket Assembly
4	17200 Thrust Washer	16	16281 Shoulder Screw
5	33164 Trunnion Shaft	17	19888 Inner Gripper
6	32702-A Gripper Spider Assembly	18	ST-523 Spirol Pin
7	17470 Gripper Shaft Gear	19	30001 Gripper Spring
8	ST-2244 Square Head Set Screw	20	19890-2 Gripper Arm Reversing Cam
9	19949 Micro Cam	21	17524 Tone Arm Cam Keeper Spring
10	32706-A Counter Arm and Stud Assembly	22	ST-6348 6 - 32 X 1/4 R.H. Machine Screw
11	ST-4828 Spring Washer	23	33811-A Drive Shaft Assembly
12	19953 Gripper Connecting Rod		



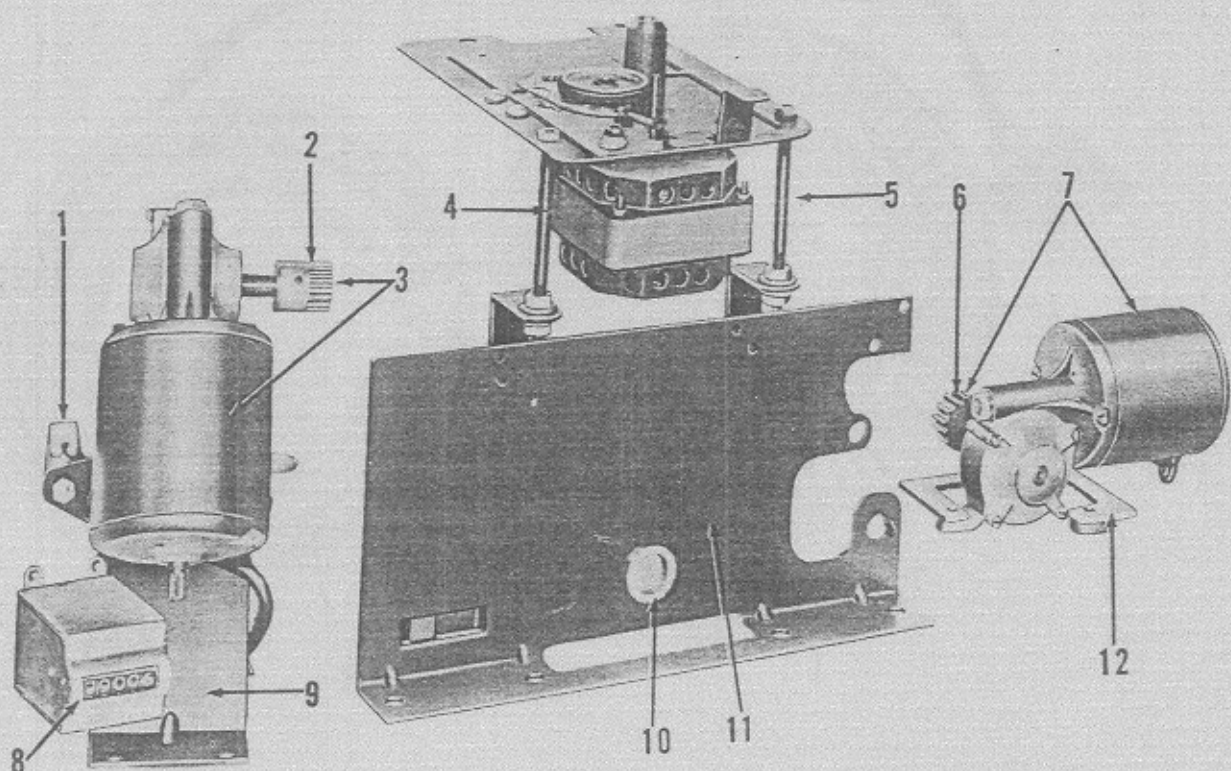
SWITCHES AND RELATED PARTS

Part No.	Description
1 30132-A	Micro Switch Lever Assembly
2 30132-A	Micro Switch Lever Assembly
3 19949	Micro Cam
4 30132-A	Micro Switch Lever Assembly
5 33706	Micro Switch (D.C. Rated)
6 11609	Micro Switch
7 11609	Micro Switch



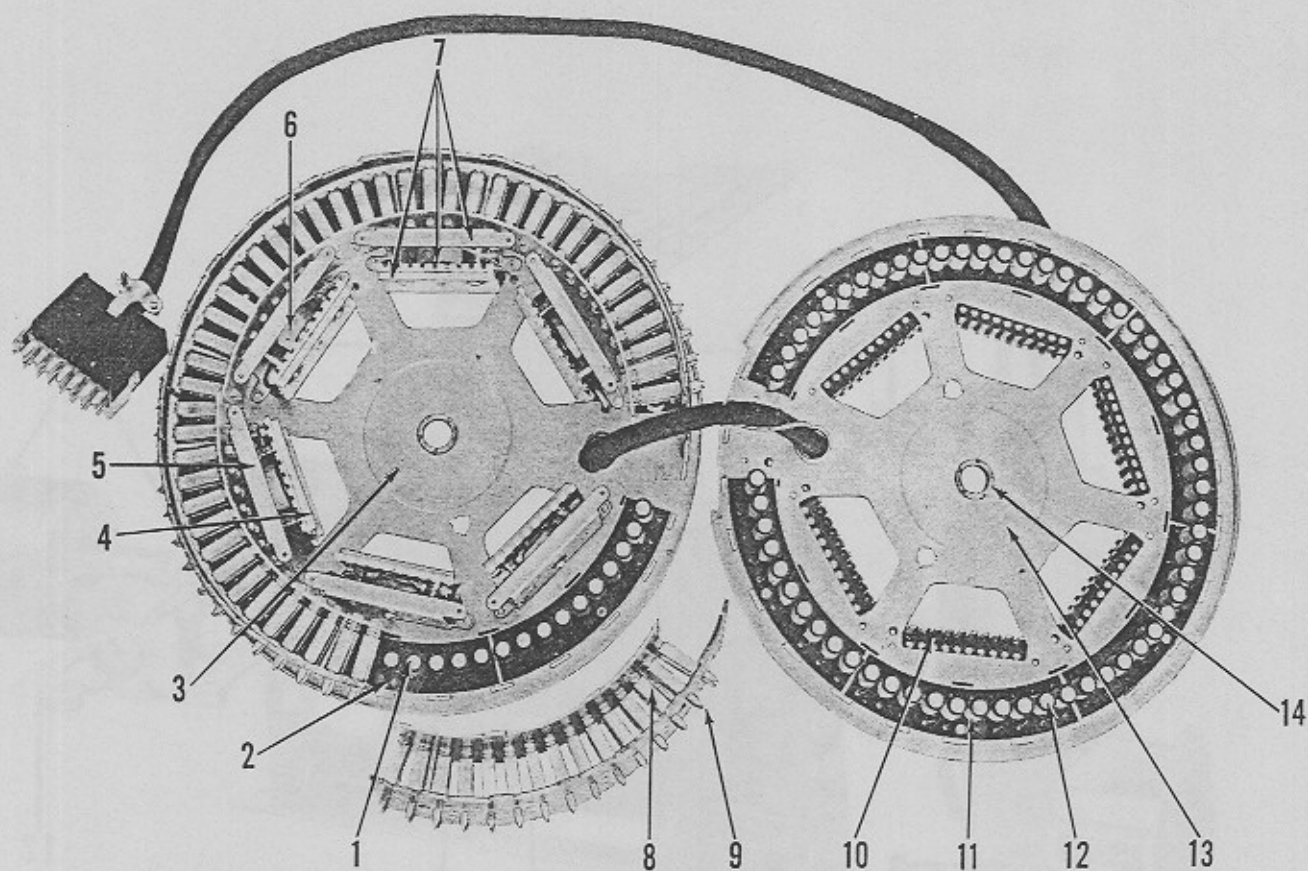
No. 33844-A CONTROL BOX ASSEMBLY

Part No.	Description
1 33638	Amp Lok Plug - 6 Circuit Red
2 33637	Amp Lok Plug - 6 Circuit White
3 33635	Amp Lok Plug - 3 Circuit
4 30288	15 Contact Socket
5 32755	Gripper Reverse Relay
6 30368	Service Scan Switch
7 30261	Switch Knob
8 31040	Interlock Relay



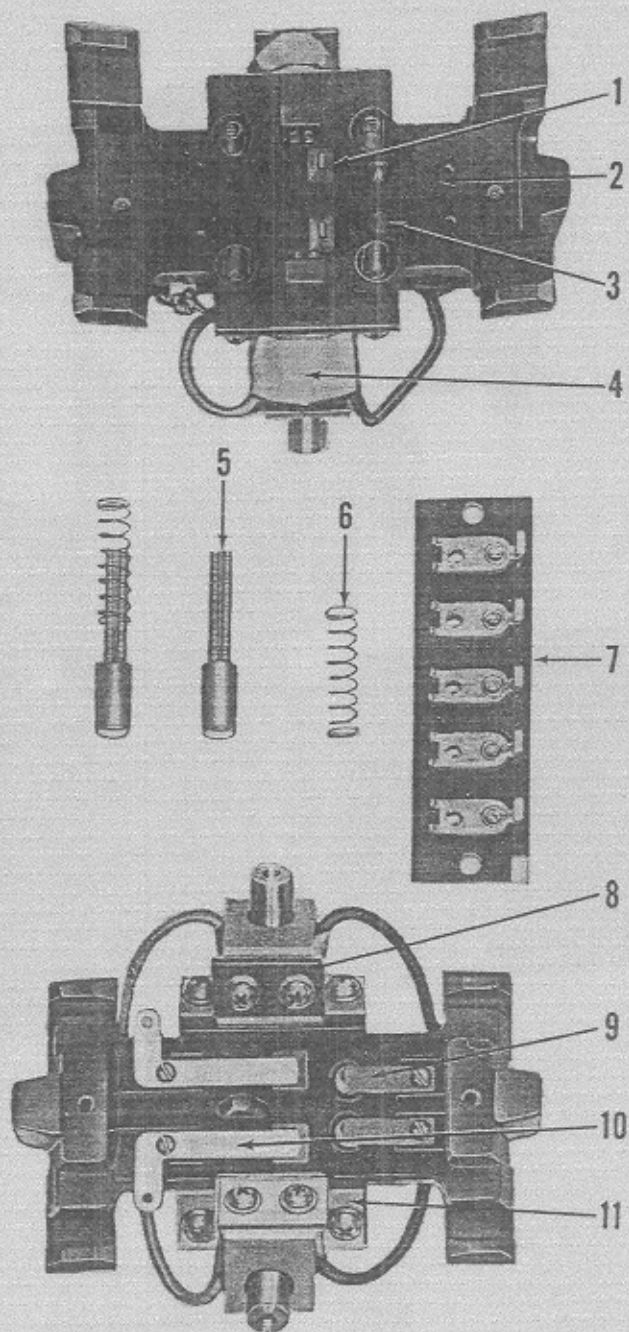
MOTORS AND RELATED PARTS

Part No.	Description
1	32567 Connecting Rod
2	16279-1 Gripper Motor Gear
3	33830-A Gripper Motor Assembly
4	30036 Turntable Mounting Stud
5	30036 Turntable Mounting Stud
6	16440-1 Magazine Drive Pinion
7	33826-A Magazine Motor Assembly
8	31172 Electric Counter
9	19977-2 Motor Mounting Bracket
10	19014 Selector Plate Bearing
11	32733-A Mounting Bracket Assembly
12	17170 Motor Clamping Plate



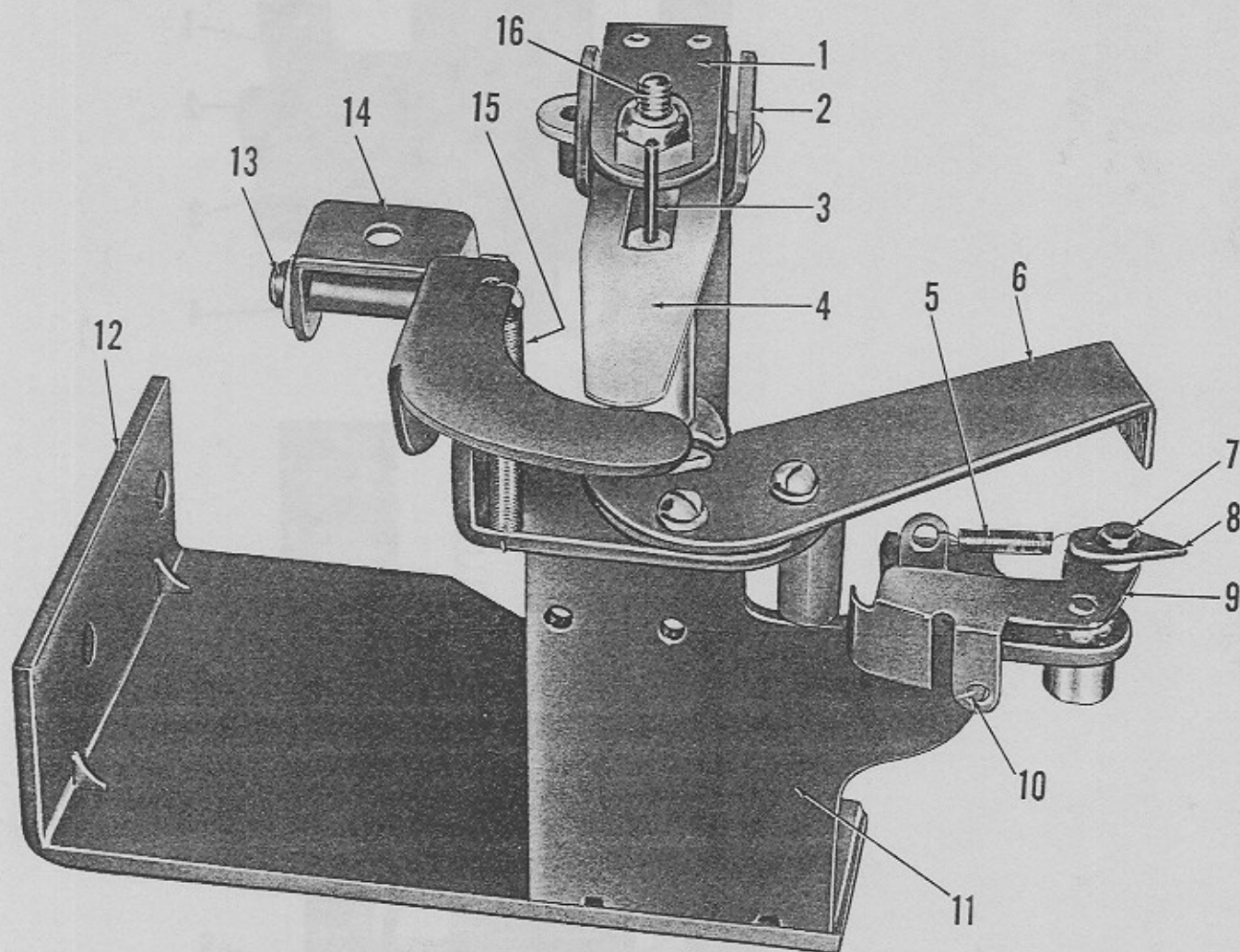
No. 32710-1-A SELECTOR UNIT ASSEMBLY

Part No.	Description
1 16330	Selector Coil
2 30866	Selector Insulation - Bottom
3 31082-A	Selector Bottom Plate Assembly
4 16577-A	Clapper Armature Riveting Assembly
5 31087-A	Clapper Bracket Assembly
6 16329	Clapper Coil
7 31087-A	Clapper Assembly
8 31910	Armature Spring
9 32017	Selector Lever
10 31077-A	Selector Strip Contact Assembly
11 30866	Selector Insulator Bottom
12 16330	Selector Coil
13 31074-1-A	Selector Top Plate Assembly
14 19014	Selector Plate Bearing



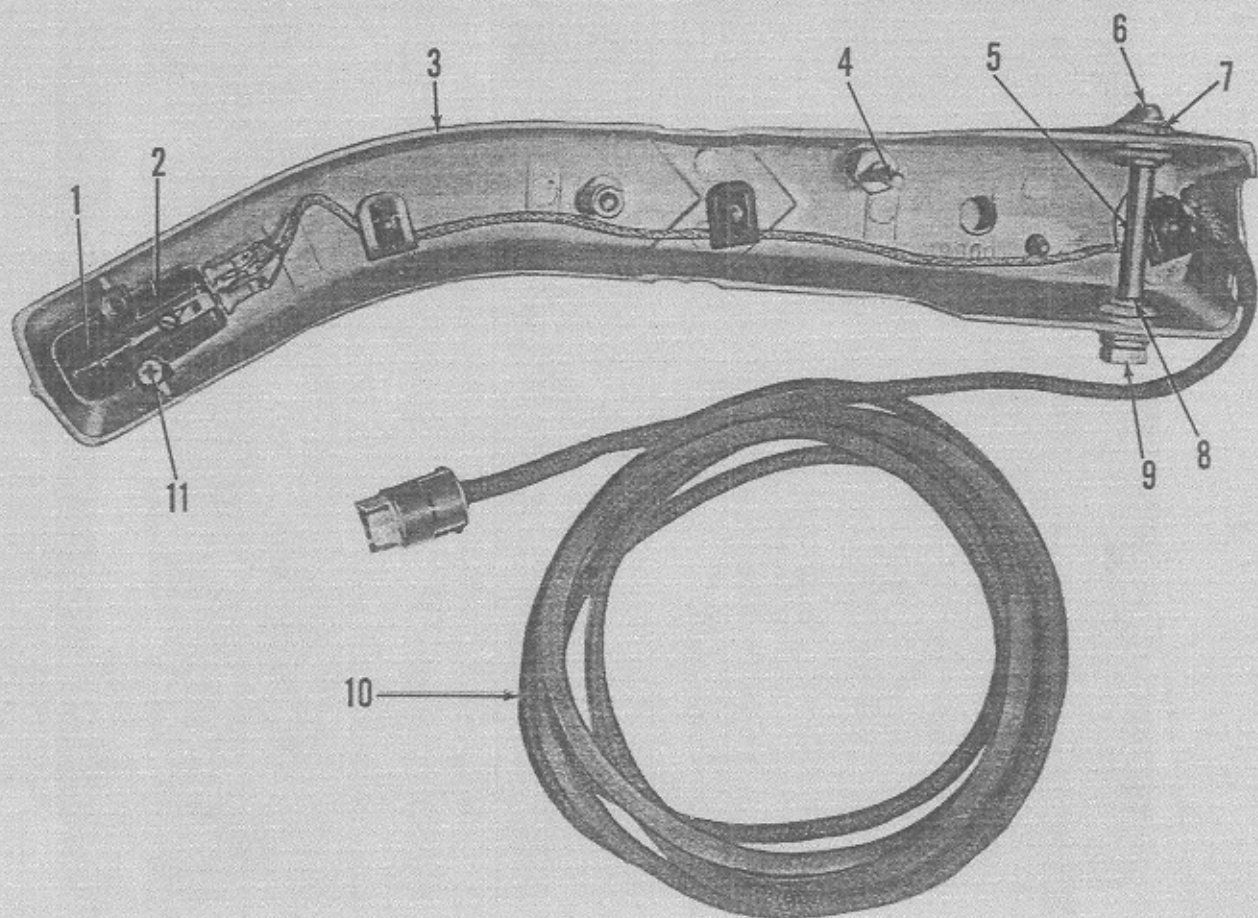
No. 32680-A CARRIAGE ASSEMBLY

Part No.	Description
1	17946-A Contact Assembly
2	32307 Carriage Housing
3	16344-1 Spacer Pin
4	18019 Cancel Coil (D.C.)
5	18018-A Coil Plunger Assembly
6	16346-1 Plunger Return Spring
7	32580 Terminal Strip
8	16348 Coil Mounting Bracket (Rear)
9	19607 Spacer Pin Retainer
10	19608 Contact Retainer
11	16347 Coil Mounting Bracket (Front)



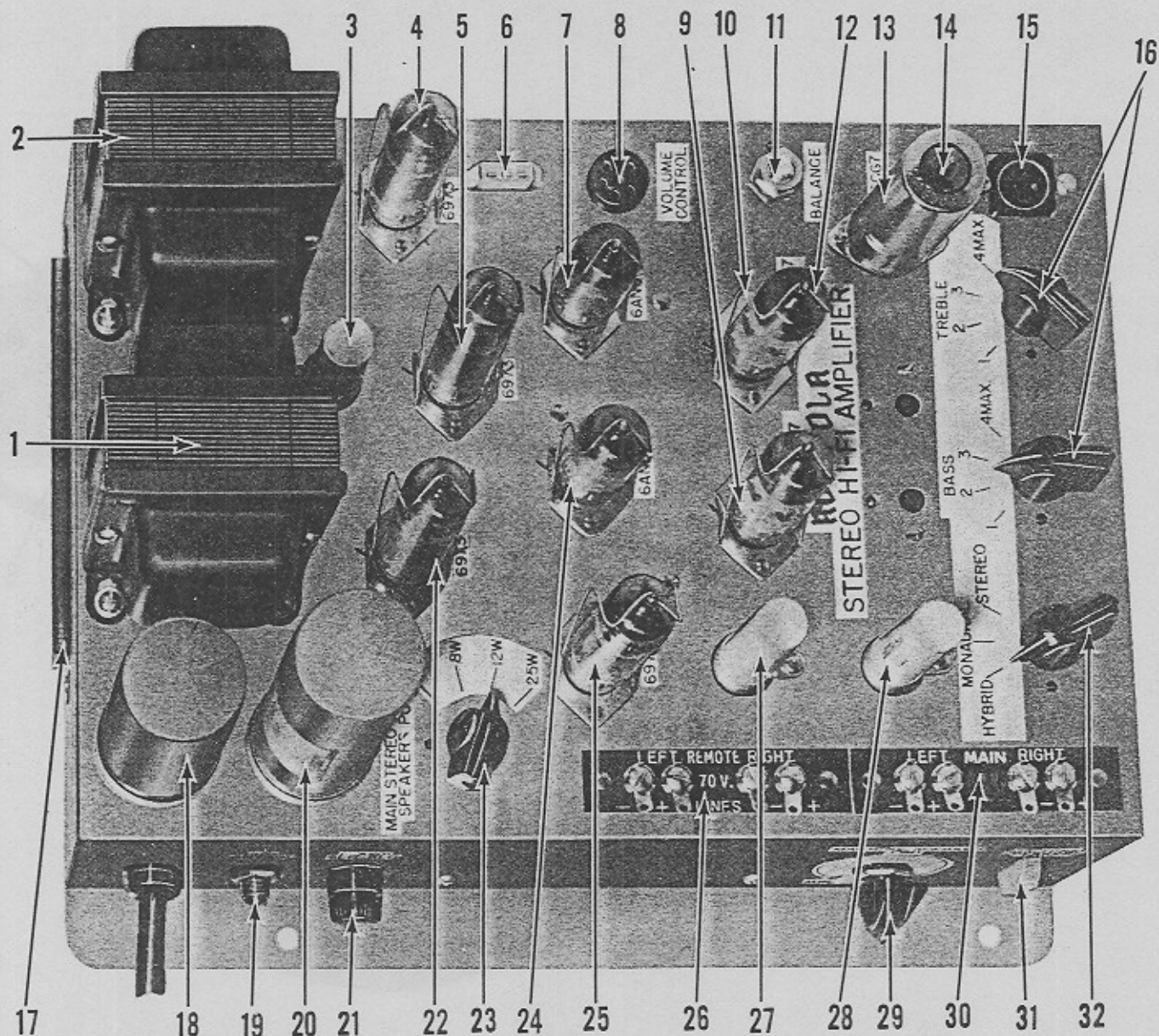
TONE ARM MOUNTING

Part No.	Description
1 30124-A	Pivot Plate Assembly
2 17521	Tone Arm Pivot Plate
3 17547	Tone Arm Rest Pin
4 19960	Tone Arm Spring
5 10901	Tension Spring
6 17616	Ratchet Plate
7 17540	Pawl Stud
8 17475	Tone Arm Pawl
9 17776-A	Lever and Pawl Assembly
10 17543	Pawl Lever Spring
11 17774-A	Tone Arm Bracket Assembly
12 33687	Tone Arm Mounting Plate
13 17539	Lifter Lever Stud
14 30113-A	Lifter Lever and Pin Assembly
15 17749	Lifter Lever Spring
16 ST-2279	8/32 X 1/2 Hollow Set Screw



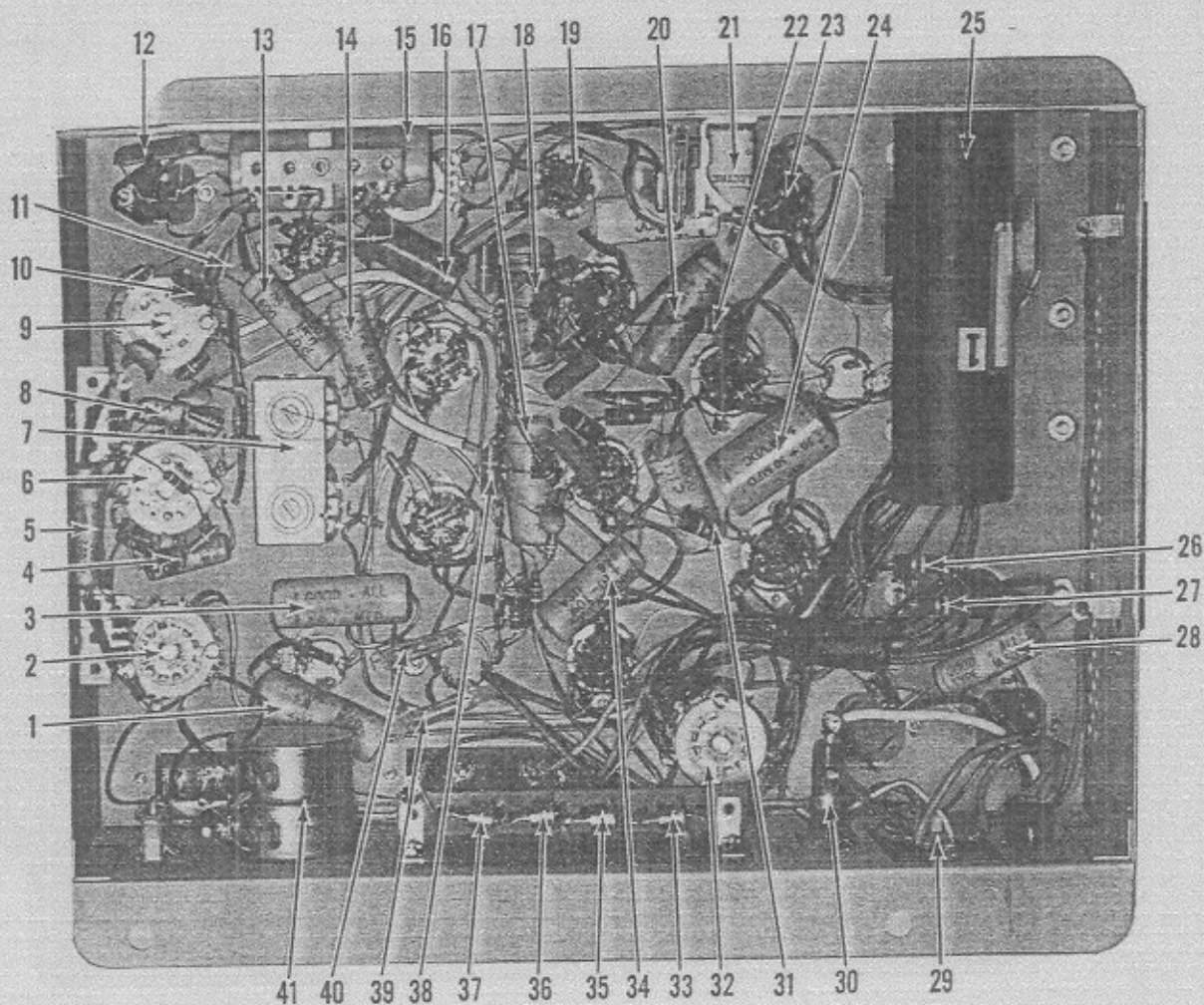
No. 33818-A TONE ARM ASSEMBLY

Part No.	Description
1 33412	Stylus (Sapphire)
2 34067	Pickup Cartridge (Stereo)
3 33819-A	Tone Arm Casting Assembly
4 30801	Tone Arm Rest Pin
5 17549	Tone Arm Bearing
6 ST-4524	6-32 X 1 $\frac{1}{4}$ R.H. Machine Screw
7 17697	Tone Arm Grommet
8 17546	Tone Arm Bushing
9 ST-403	6-32 Hex Nut
10 33198	Dual Input Cable
11 ST-6546	4-40 X $\frac{1}{4}$ Screw



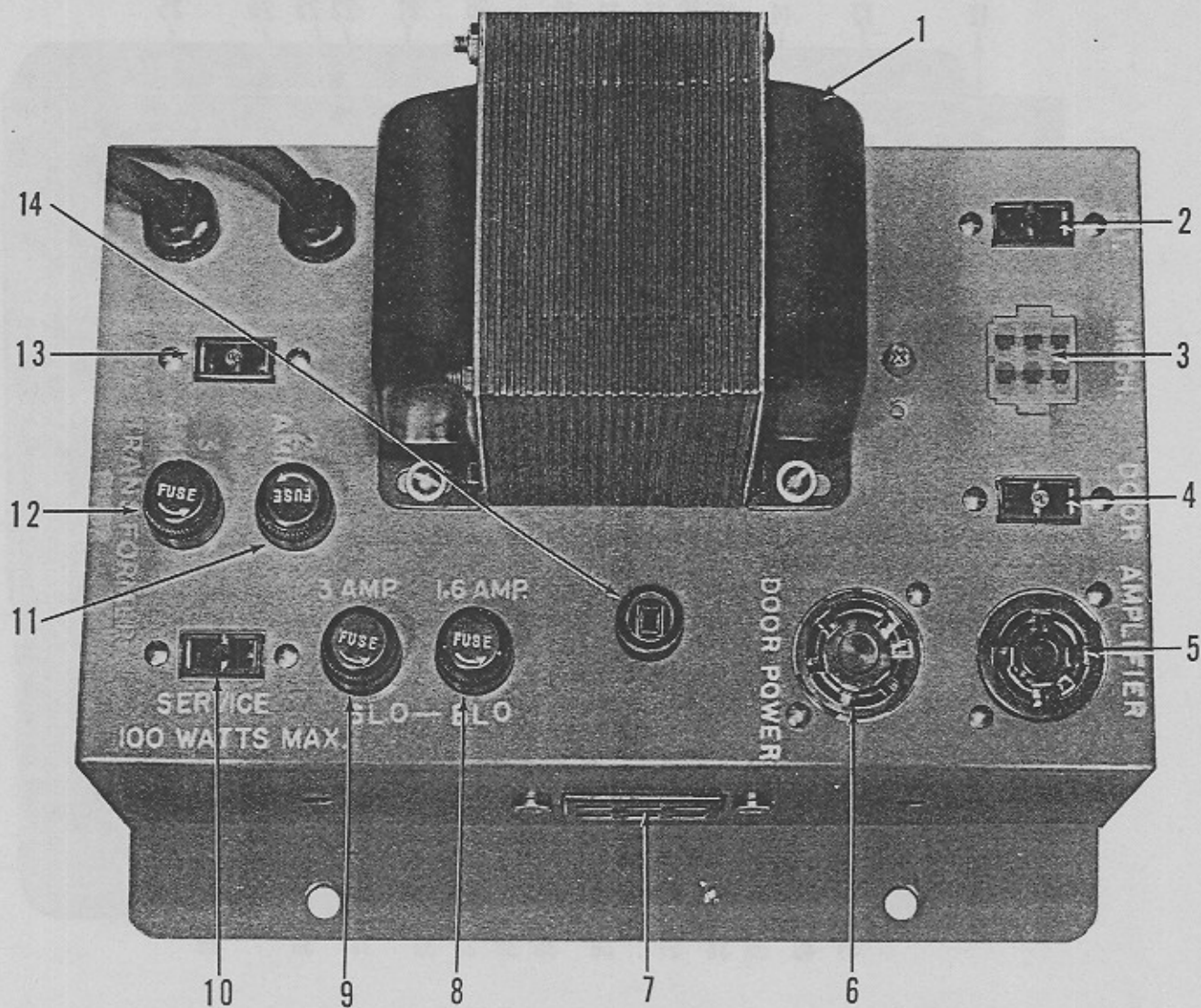
No. 33875-A AMPLIFIER ASSEMBLY

Part No.	Description	Part No.	Description		
1	33227	Output Transformer	17	34032	8 Ohm Candohm Resistor
2	33227	Output Transformer	18	30316	4 Section Filter Capacitor
3	34068	720 Ohm 15 W. Resistor	19	32489	Hum Control
4	33229	6973 Tube	20	32824	Grounded Can Doubler Capacitor
5	33229	6973 Tube	21	ST-4332	1 Amp Slo-Blo Fuse
6	33635	Amp Lok Plug - 3 Circuit	22	33229	6973 Tube
7	32853	6AN8 Tube	23	11578	Pointer Knob
8	18634	6 Prong Miniature Socket	24	32853	6AN8 Tube
9	32498	6CY7 Tube	25	33229	6973 Tube
10	33752	Tube Clamp Spring	26	33232	Remote Speaker Terminal Strip
11	33245	Balance Control	27	34046	1820 Ohm 25 W. Standee Resistor
12	32498	6CY7 Tube	28	34069	7800 Ohm 25 W. Standee Resistor
13	34048	Tube Shield	29	11578	Pointer Knob
14	30457	6CG7 Tube	30	34031	Main Stereo Speaker Terminal Strip
15	33199	Dual Input Socket	31	33635	Amp Lok Plug - 3 Circuit
16	11578	Pointer Knob	32	11578	Pointer Knob



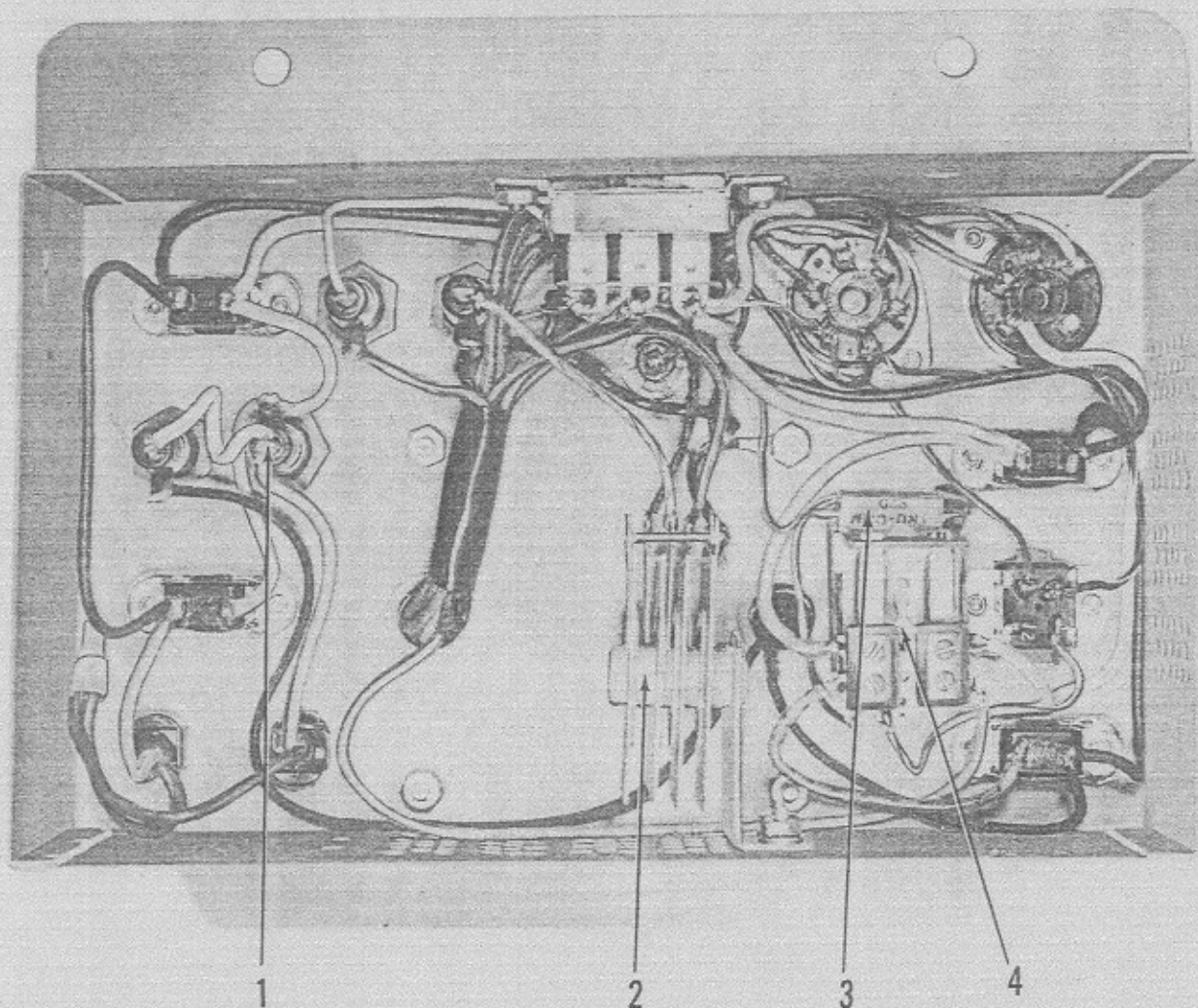
No. 33875-A AMPLIFIER ASSEMBLY

Part No.	Description	Part No.	Description		
1	32490	1.0 Mfd. 200 V.D.C. Capacitor	22	33252	15K 1 W. Resistor
2	34045	3 Position 4 Circuit Switch	23	13015	47K ½ W. Resistor
3	32490	1.0 Mfd. 200 V.D.C. Capacitor	24	32835	2 X 50 Mfd. 50 V.D.C. Capacitor
4	19182	.033 Mfd. 200 V.D.C. Capacitor	25	32825	Insulated Can Doubler Capacitor
5	34090	.022 Mfd. 200 V.D.C. Capacitor	26	32495	100K 1 W. Resistor
6	34070	4 Position 2 Circuit Switch	27	32495	100K 1 W. Resistor
7	33236	Dual Gain Control	28	33249	.05 Mfd. 600 V.D.C. Capacitor
8	19182	.033 Mfd. 200 V.D.C. Capacitor	29	32489	Hum Control
9	34070	4 Position 2 Circuit Switch	30	11555	Fuse Holder
10	31690	1000 MMFD. Ceramic Capacitor	31	33252	15K 1 W. Resistor
11	30578	2200 MMFD. Ceramic Capacitor	32	34045	3 Position 4 Circuit Switch
12	33471	Dual Input P.E.C.	33	34035	Rectifier
13	33249	.05 Mfd. 600 V.D.C. Capacitor	34	32838	.1 Mfd. 600 V.D.C. Capacitor
14	33249	.05 Mfd. 600 V.D.C. Capacitor	35	34035	Rectifier
15	33477	20 Mfd. 475 V.D.C. Capacitor	36	34035	Rectifier
16	32836	100 Mfd. 6 V.D.C. Capacitor	37	34035	Rectifier
17	33253	.22 Mfd. 400 V.D.C. Capacitor	38	33362	27K 1 W. Resistor
18	33253	.22 Mfd. 400 V.D.C. Capacitor	39	32497	Thermistor
19	18634	6 Prong Miniature Socket	40	32497	Thermistor
20	32838	.1 Mfd. 600 V.D.C. Capacitor	41	33855	Dual Volume Potentiometer
21	33263	Muting Relay			



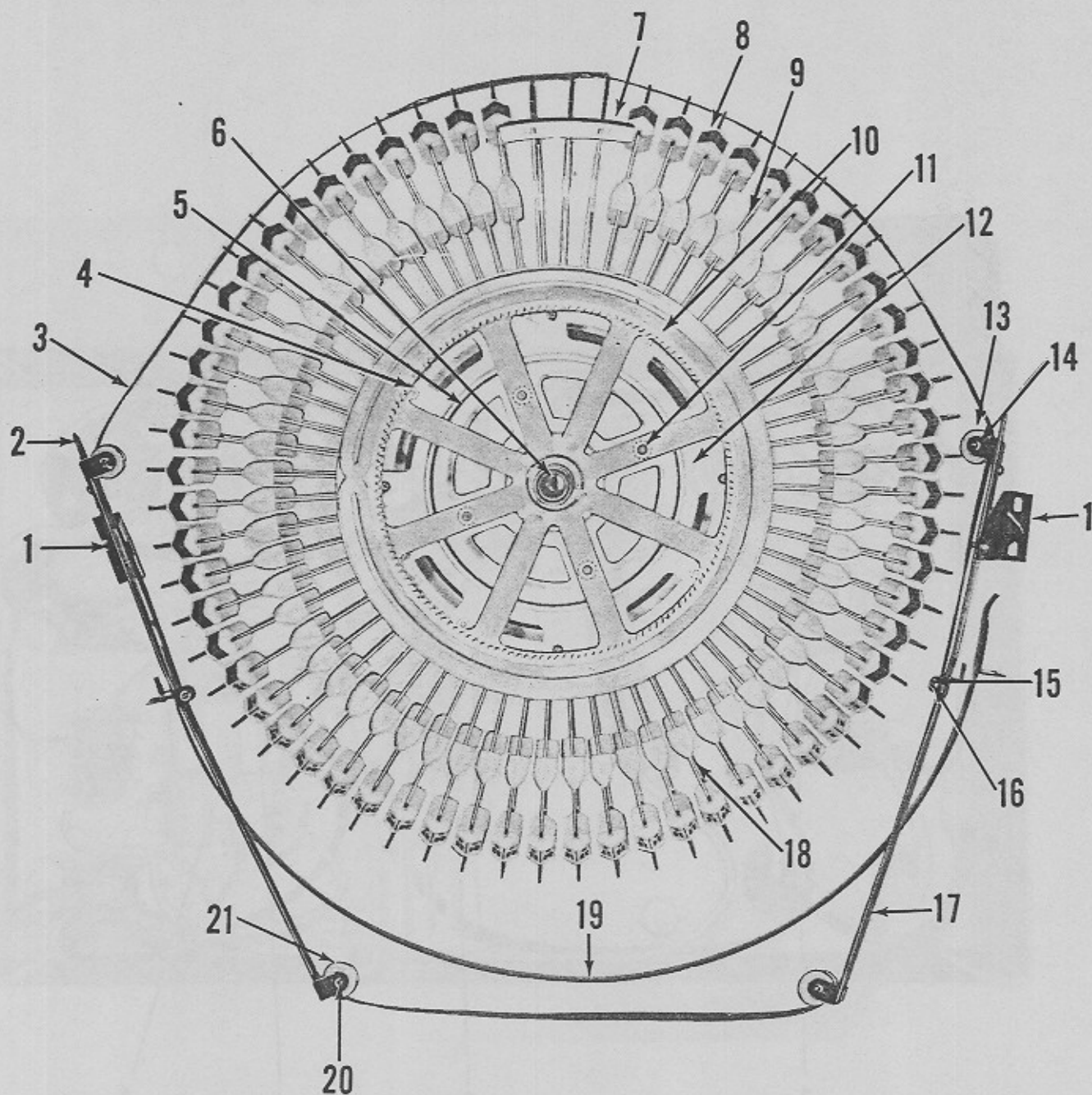
No. 33870-A POWER DISTRIBUTION PANEL ASSEMBLY

Part No.	Description
1 33737	Power Transformer
2 19272	Miniature Outlet
3 33637	Amp Lok Plug - 6 Circuit
4 19272	Miniature Outlet
5 PH-3740	5 Prong Socket
6 18414	6 Prong Socket
7 19008	6 Prong Jones Socket
8 ST-4321	1.6 Amp. Fuse
9 ST-3090	3 Amp. Slo-Blo Fuse
10 19272	Miniature Outlet
11 ST-4314	2 Amp. Fuse
12 ST-4333	3 Amp. Fuse
13 19272	Miniature Outlet
14 31242	Tip Jack



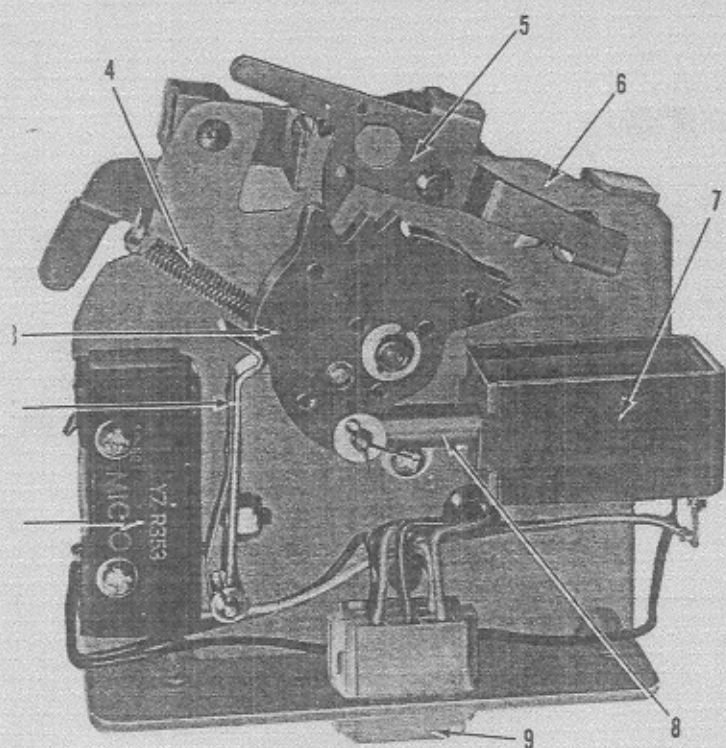
No. 33870-A POWER DISTRIBUTION PANEL ASSEMBLY

Part No.	Description
1 11555	Fuse Holder
2 31225	Power Rectifier
3 30574	820 Ohm 5 Watt Resistor
4 32996	Play Control Relay



RECORD MAGAZINE AND RELATED PARTS

Part No.	Description	Part No.	Description		
1	32396	Mounting Bracket	12	32402	Front Mounting Plate
2	32395	Roller Mounting Bracket	13	32368	Roller
3	32367	Belt	14	32461	Shaft Bearing
4	31137	Spacer Stud	15	32302	Center Roller
5	32403	Rear Mounting Plate	16	32869	Center Roller Shaft Bearing
6	32411	Main External Shaft	17	32736-A	Roller Support Bracket Assembly
7	32400	Balance Plate	18	32573	Separator Wire Welded Unit
8	33529	Tray Decal (Set)	19	32735-A	Record Guard Front Assembly
9	32574	Separator Wire Welded Unit	20	32461	Shaft Bearing
10	32385	Drive Gear	21	32368	Roller
11	30874	Spacer Shaft			

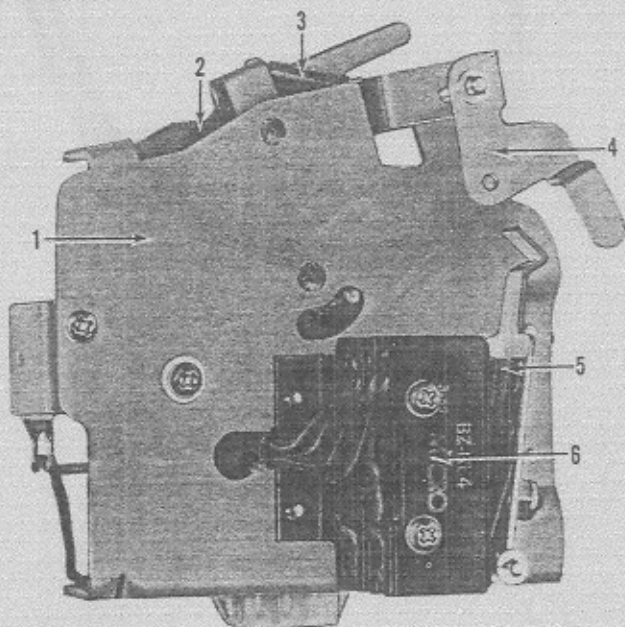


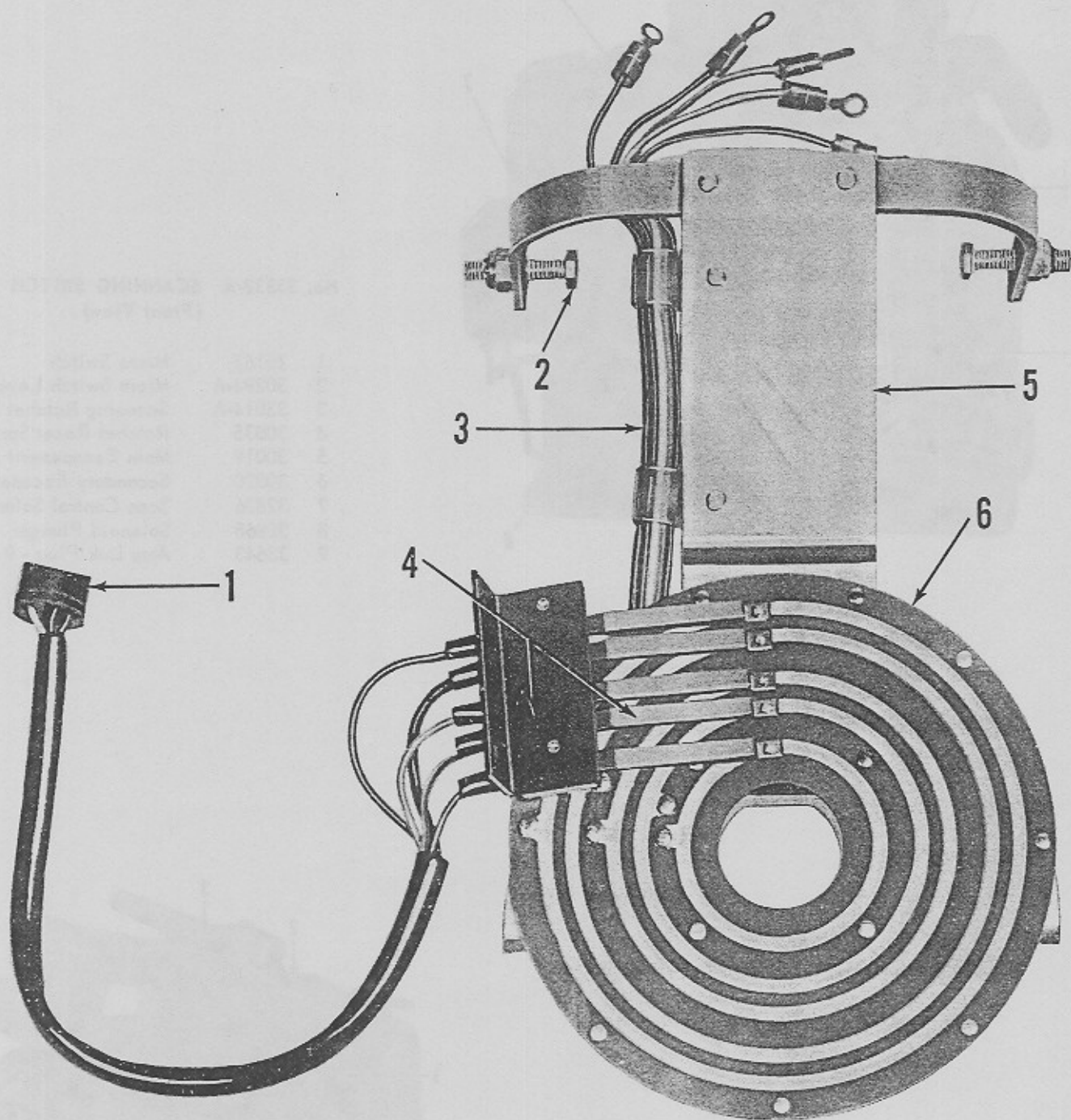
No. 33832-A SCANNING SWITCH ASSEMBLY
(Front View)

1	15165	Micro Switch
2	30294-A	Micro Switch Lever Assembly
3	33014-A	Scanning Ratchet Assembly
4	30835	Ratchet Reset Spring
5	30019	Main Escapement Pawl
6	30020	Secondary Escapement Pawl
7	32876	Scan Control Solenoid
8	32868	Solenoid Plunger
9	33643	Amp Lok Plug - 9 Circuit

No. 33832-A SCANNING SWITCH ASSEMBLY
(Rear View)

Part No.	Description
1	33835-A Mounting Plate Assembly
2	30779 Scan Pawl Spring
3	30245 Scanning Switch Spring
4	32404 Scanning Switch Trip Lever
5	19042-A Switch Lever Assembly
6	11609 Micro Switch





DRIVE ARM AND RELATED PARTS

Part No.	Description
1	33642 Amp Lok Cap - 6 Circuit
2	ST-1503 1" Hex Head Machine Screw
3	33020-A 5 Conductor Cable
4	33011-A Wiper and Bracket Assembly
5	33022-A Driver Arm Assembly
6	33025 Printed Circuit Disc

ADDITIONAL PARTS LISTING

Part No.	Description
1	ST-7379 Cash Door Lock (W/ST-7407 Latch)
2	ST-7399 Rear Door Lock (W/ST-7393 Latch)
3	ST-7408 Front Door Lock
4	15159 Momentary Push Switch
5	17008 Needle Brush
6	33855 Dual Volume Potentiometer
7	32355-2 Cash Door Frame
8	32521-1 Lower Front Door Hinge Bracket
9	32609 Coin Lever Spring
10	34041-A Volume Control Assembly
11	ST-9231 Pickup Mounting Adapter
12	33327-A Volume Control Cable Assembly
13	33995 Brush Holder
14	32963 Operators Card
15	34084-A Hi-Frequency Horn Assembly
16	34087 12" Speaker
17	31626 Title Strip
18	33587 Picture Window Tab (Hit Tunes)
19	33588 Picture Window Tab (Rhythm and Blues)
20	33589 Picture Window Tab (Favorites)
21	33590 Picture Window Tab (Country and Western)
22	33591 Picture Window Tab (Varieties)
23	33628 Picture Window Tab (Stereo)
24	33634 Amp Lok Contact
25	33662 Pricing Title Tab (Stereo)
26	33674 Pricing Tab (1-3-7)
27	33675 Pricing Tab (1-2-6)
28	33668 Pricing Tab (1-3/25)
29	33669 Pricing Tab (1-4-10)
30	33670 Pricing Tab (1-3-10)
31	33671 Pricing Tab (1-4-9)
32	33672 Pricing Tab (1-3-9)
33	33673 Pricing Tab (1-3-8)
34	33676 Pricing Tab (1-2-5)
35	33627 Program Indicator Picture Window