

# WURLITZER PHONOGRAPH 2310-2310S

## COIN EQUIPMENT

a. Accessibility of the coin equipment for both the 2310 and the 2310S is described on Pages 2 and 3, Figs. 1 to 4 of the 2300 manual.

b. Adjustment of the coin switch for the Models 2310 and 2310S is described on Page 4, Fig. 5 of the Model 2300 manual.

c. Adjustment of the playrak for the Model 2310 is covered in detail on Pages 4 to 6, Figs. 6 to 13, of the 2300 manual.

d. Adjustment of the "Dual Priced" coin register mechanism for the Model 2310S is described on Pages 6 to 9, Figs. 14 to 22 of the 2300 manual.

## ELECTRIC SELECTOR SYSTEM

Selector Switch, Models 2310 and 2310S.

### a. Switch Connector Link Adjustments.

Although the Models 2310 and 2310S operate with one half the records that are handled by the 2300 and 2300S, the selector switch assembly is constructed similarly. The adjustments for the switch linkage may therefore be accomplished as described for the latter models on Page 10, Fig. 23 of the 2300 manual.

### b. Latch Solenoid Stop Bracket.

Adjustment of the latch solenoid stop bracket should be accomplished as described on Pages 10 and 11, Fig. 24 of the 2300 manual.

### c. Trip Lever and Latch Pawl Adjustment.

Adjustment of the trip lever and latch pawl should be made in accordance with the instructions under Fig. 24, on Page 11 of the 2300 manual.

d. Release lever clearance adjustments are described under Fig. 25 on Page 11 of the 2300 manual.

Electric Selector Adjustments.

The electric selector consists of components that are identical with those used on the Model 2300. However, only 100 selector latch pins are required and the wiring sequence differs. Mechanical adjustments may be accomplished as described on Page 12, Figs. 26 and 27 of the 2300 manual.

## CONTROL SWITCH ADJUSTMENTS

Safety Switch Setting.

See Fig. 28, Page 13, Model 2300 manual.

Over-ride Switch Settings.

See Fig. 29, Page 13, Model 2300 manual.

Carriage Switch Adjustment.

See Fig. 30, Page 14, Model 2300 manual.

Transfer Switch Adjustment.

See Fig. 31, Page 14, Model 2300 manual.

Mute and Play Switch Timing.

a. See Fig. 32, Page 14, Model 2300 manual.

b. See Fig. 33, Page 15, Model 2300 manual.

Trip Switch Setting.

See Fig. 34, Page 15, Model 2300 manual.

## RECORD CHANGER

Bracket and Roller Assembly, Lift Arm Guide.

The record lift arm guides for the 2310 and 2310S differ from those of the Model 2300 due to the greater amount of space available for each record in the record carrier. In fact the record lift arms and the associated components are identical with those of the 2204, 2104 and the 1900 models.

With the record lift arm assembly properly positioned on the chassis mounting plate, the roller guides may be adjusted as follows:

a. Set the stationary guides in position on the chassis mounting plate and check the lift arm actuation for complete freedom of movement.

b. Set the spring loaded adjustable guides to provide spring tension of its roller against the roller track of the lift arms and of the lift arms against the opposite stationary guide roller.

## Record Lift Arm Height Adjustments.

Adjustments for the height of the record lift arms will be accomplished in the same manner as described under Figs. 37 and 38, Page 18 of the 2300 manual.

## Loading Switch and Release Lever Settings.

These settings are identical with those of the Model 2300, described under Figs. 41 and 42, Pages 19 and 20 of the Model 2300 manual.

## Selector Crank Clearance

See Fig. 43 and instructions on Page 20 of the 2300 manual.

## Cancel Lever Setting.

See Fig. 44 and instructions on Pages 20 and 21 of the 2300 manual.

## Record Lift Arm Retracted Adjustment.

See Fig. 45 and instructions on Page 21 of the 2300 manual.

## Back Stop Pawl Setting.

The procedure for setting the back stop pawl is identical with that of the Model 2300. However, there is only one back-stop pawl used on the Model 2310 and the outer "Tip and Bracket" assembly of the selector crank will be indexed to the same backstop pawl. See Fig. 47 and instructions on Pages 22 and 23 of the 2300 manual.

## Selector Crank and Carriage Switch Settings.

The procedures for settings of the selector cranks and the carriage switch have been established in the Model 2300 manual Figs. 48 and 49, together with instructions on Pages 22 and 23.

## Record Clamp Settings.

See Figs. 50, 51, and 52 and instructions on Pages 23 and 24 of the 2300 manual.

## Tone Arm Feed-in Adjustment.

See Fig. 53 and instructions on Page 24 of the 2300 manual.

## Tone Arm Latch Bracket Clearance.

See Fig. 54 and instructions on Page 24 of the 2300 manual.

## Needle Pressure Adjustment.

See Fig. 55 and instructions on Page 25 of the 2300 manual.

## Trip Switch Setting.

See Fig. 34 and instructions on Pages 15 and 16 of the 2300 manual.

## Tone Arm Balancing Adjustment.

See Fig. 56 and instructions on Pages 25 and 26 of the 2300 manual.

## Turntable Drive Gear Adjustments.

See Fig. 57 and instructions on Page 26 of the 2300 manual.

## Main Shaft Drive Gear and Pinion.

See Fig. 58 and instructions on Page 26 of the 2300 manual.

## Turntable Cable and Drive Pulley Setting.

See Fig. 59 and instructions on Page 27 of the 2300 manual.

## Actuating Arm and Cable Adjustment, Turntable and Tone Arm.

See Fig. 60 and instructions on Page 27 of the 2300 manual.

## Record Guide and Safety Switch Settings.

See Fig. 61 and instructions on Page 28 of the 2300 manual.

## Tone Arm Brush Setting.

See Figs. 62 and 63 together with instructions on Pages 28 and 29 of the 2300 manual.

Shim Procedure for Assembling Turntable Shaft.

See Fig. 64 and instructions on Page 29 of the 2300 manual.

Lubrication.

See Page 29 of the 2300 manual.

## SOUND SYSTEM 2310-2310S

The sound systems for both the 2310 and 2310S are identical and interchangeable with the Models 2300 and 2300S respectively; They are described in detail on Pages 30 to 36 of the Model 2300 manual.

### NOTE:

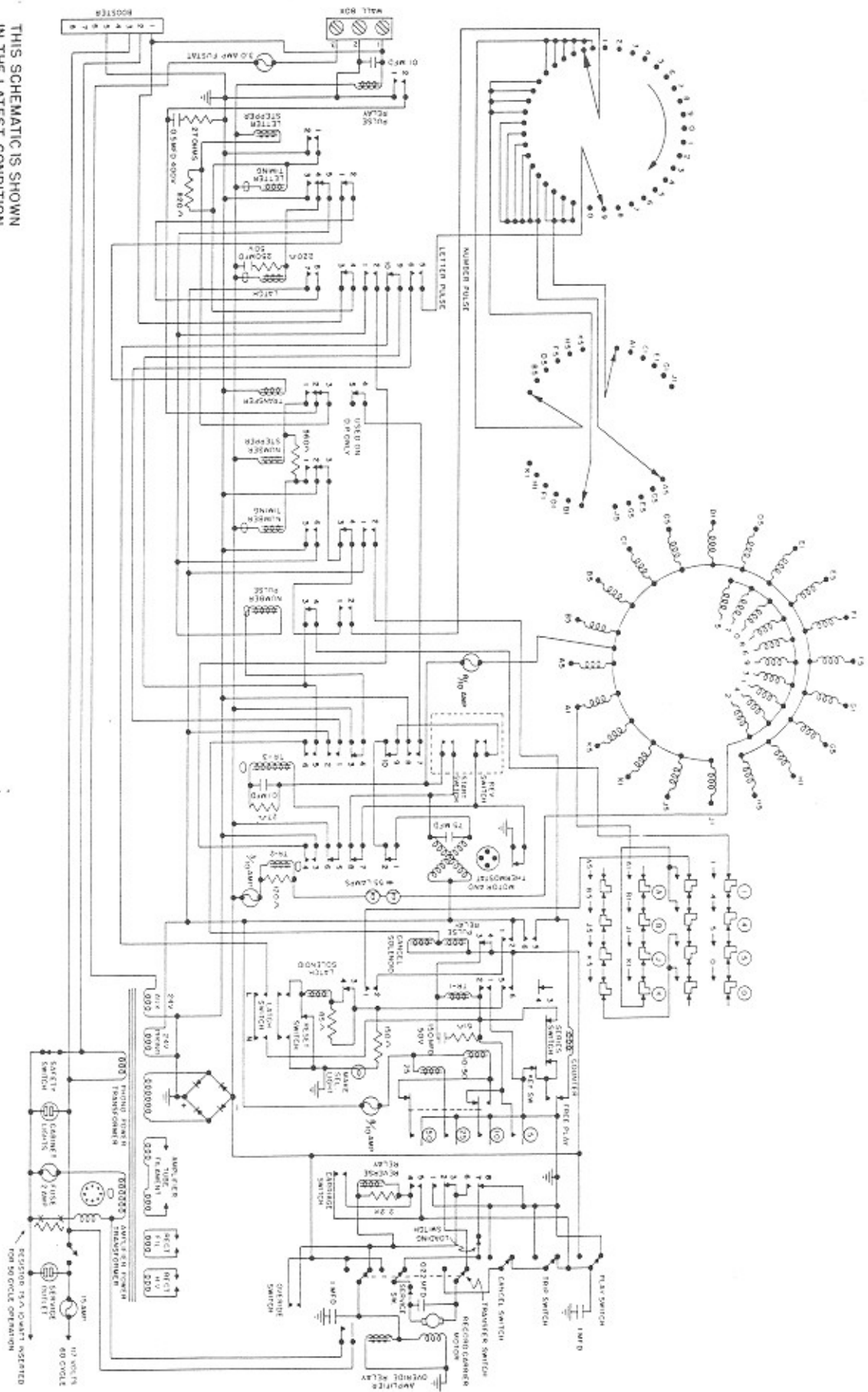
For parts not illustrated or called out in the Parts Section of this manual refer to the pages listed below in the Parts Section of the 2300-2300S Phono Manual.

PART NAME	PAGE
Playrak and Slug Rejector . . . . .	49
Electric Selector . . . . .	52
Turntable Motor and Gear Shaft Assembly . . . . .	54
Record Guide Assembly . . . . .	54
Turntable Shaft Assembly . . . . .	55
Selector Crank and Shaft Assembly . . . . .	58
Model 536 Amplifier . . . . .	60
Model 534 Amplifier . . . . .	61
Trim and Mounting - Front View . . . . .	62-63
Trim and Mounting - Rear View . . . . .	65

## NOTES

FUNCTIONAL SCHEMATIC — MODEL 2310

THIS SCHEMATIC IS SHOWN  
IN THE LATEST CONDITION  
AT THE TIME OF PRINTING



114903-2

Fig. 99. FUNCTIONAL SCHEMATIC . . . . . MODEL 2310 PHONOGRAPH