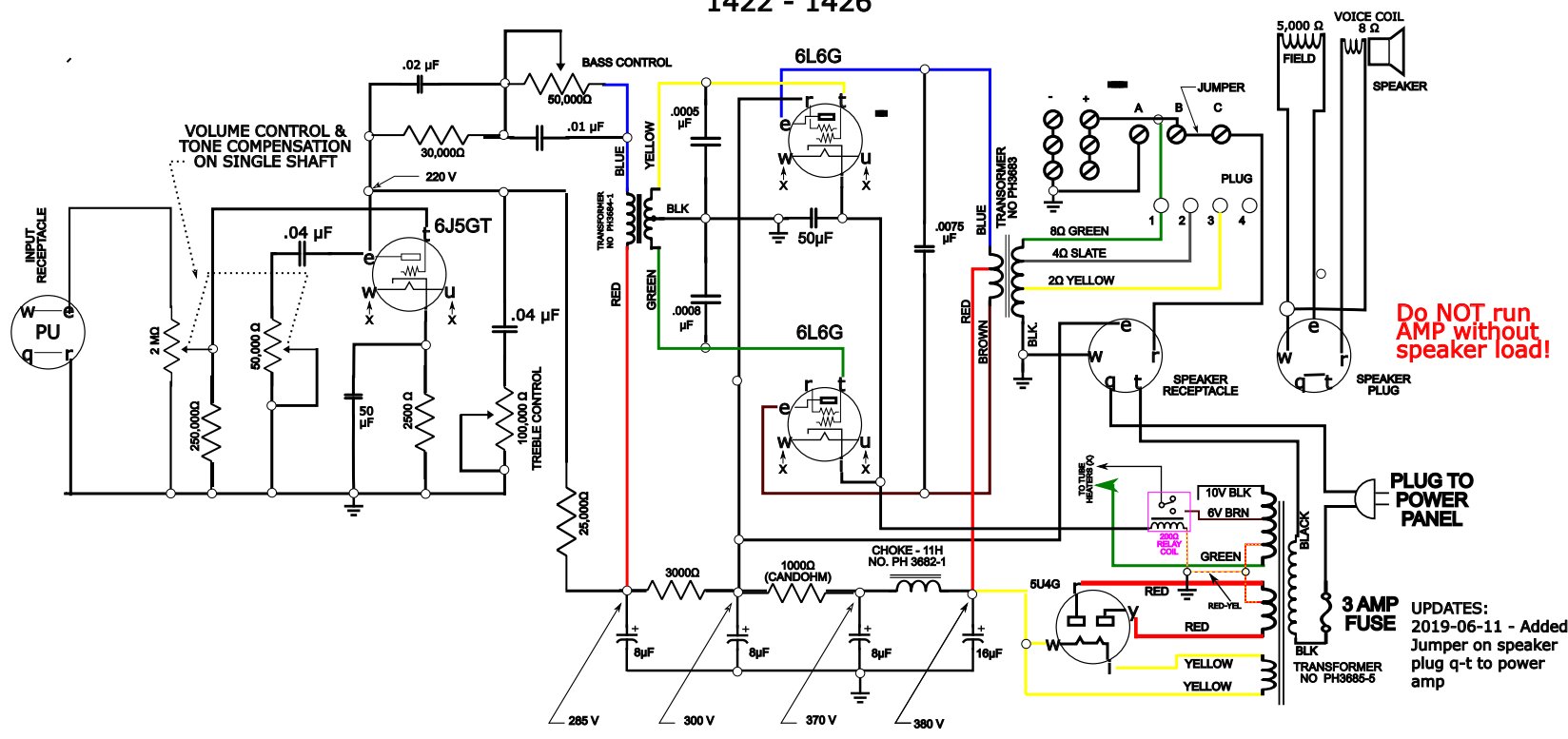


## SCHEMATIC DIAGRAM ROCKOLA "O" Amp 1422 - 1426



**Do NOT run AMP without speaker load!**

**3 AMP FUSE** UPDATES:  
2019-06-11 - Added Jumper on speaker plug q-t to power amp