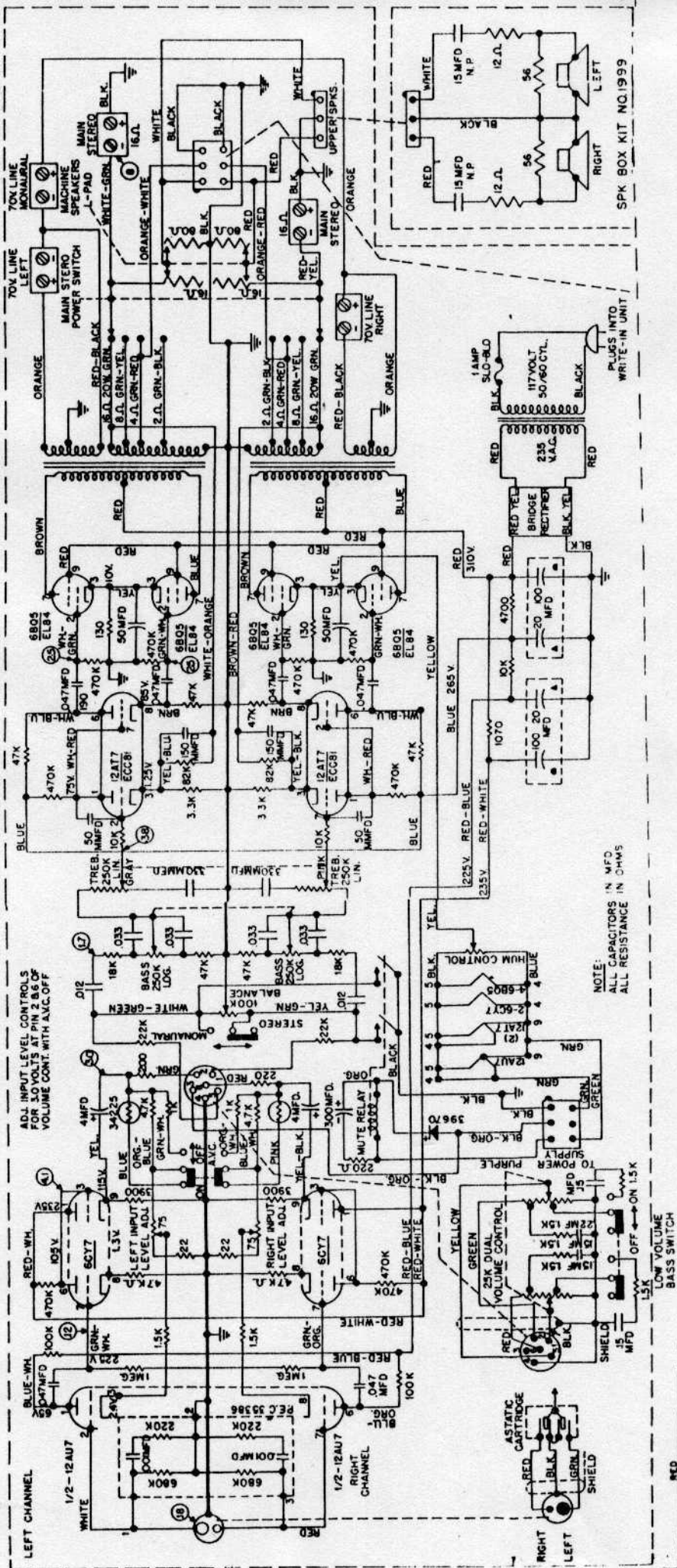


Model 429

41131



Capacitors:

- .001 (2)
- .012 (2)
- .033/200 (4)
- .047/200 (2)
- .047/600 (4)
- 4/250 (2)
- 50/50 (2)
- 300/50 (1) Mute Relay

Cans:

- 100 & 20/400 (2)

Volume Control:

- .15/200 (3)
- .22/200 (1)

Ceramics:

- 50 mmfd (2)
- 150 mmfd (2)
- 330 mmfd (2)

NOTE: ALL CAPACITORS IN MFD ALL RESISTANCE IN OHMS

SPK BOX KIT NO.1999

PLUGS INTO WRITE-IN UNIT