

Models 442 & 443



SERVICE NOTES

1. VOLTAGE OR INSERT INTEGRATED CIRCUITS (I.C.) OR WITH POWER ON

2. ALL CAPACITORS IN M.F.D. UNLESS OTHERWISE NOTED

3. ALL VOLTAGES ALL CONTROLS AT MAXIMUM, ON SPEAKER MATCHING SWITCH IN #1 MACHINE SPEAKERS CONNECTED

4. A.V.C. CIRCUIT WITH A.V.C. ON AND S SHOWN ON SCHEMATIC DIAGRAM

5. J5 FROM CHASSIS GROUND USING A INPUT IMPEDANCE, NO SIGNAL INPUT.

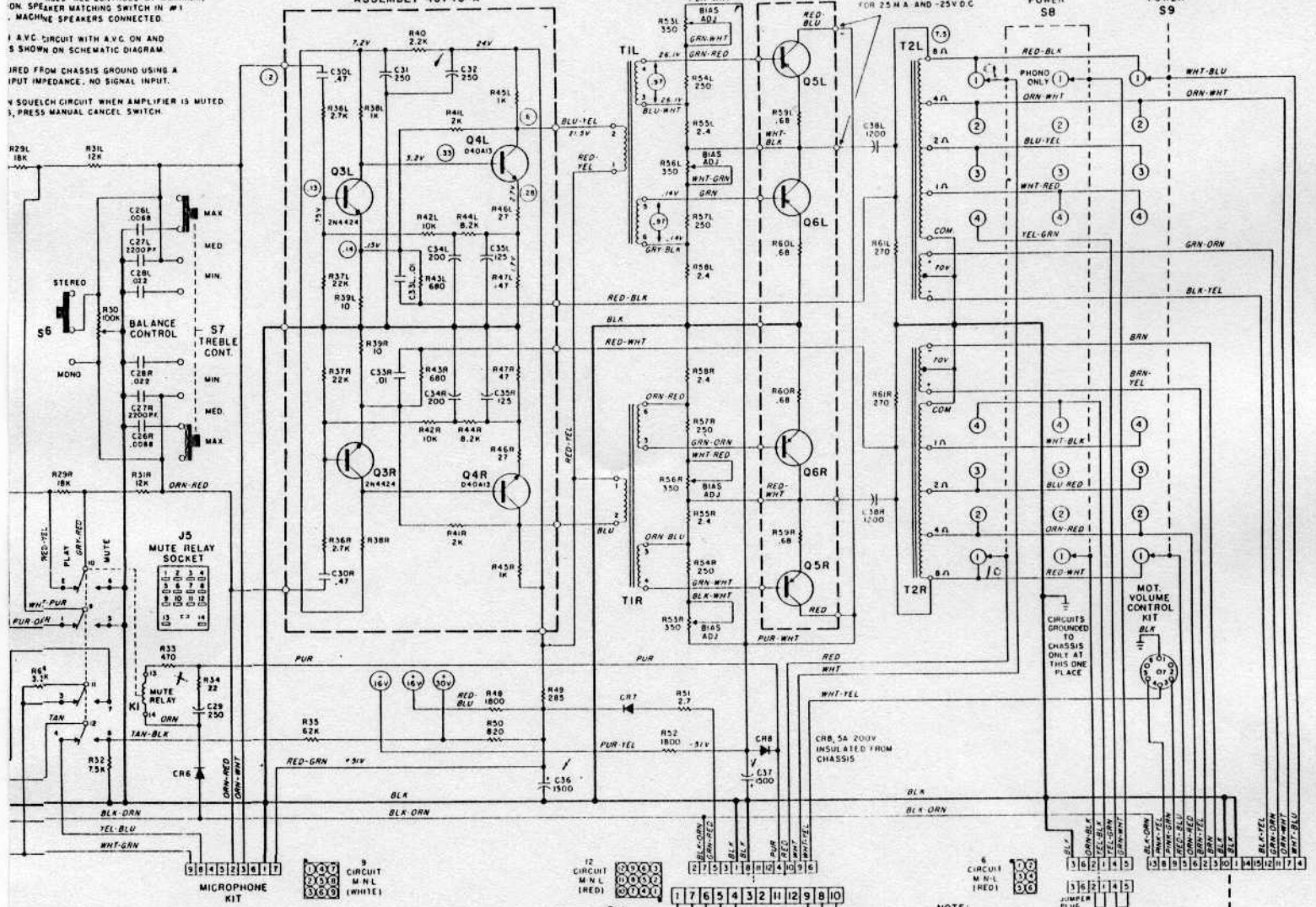
6. SQUELCH CIRCUIT WHEN AMPLIFIER IS MUTED, PRESS MANUAL CANCEL SWITCH

DRIVER PRINTED CIRCUIT ASSEMBLY 45743-A

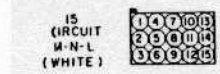
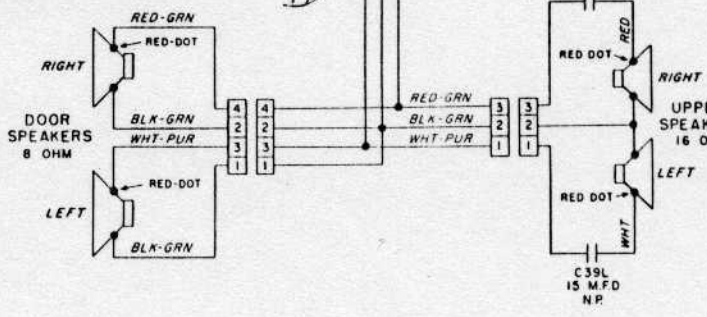
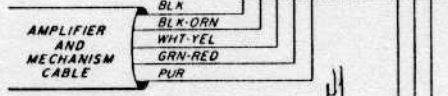
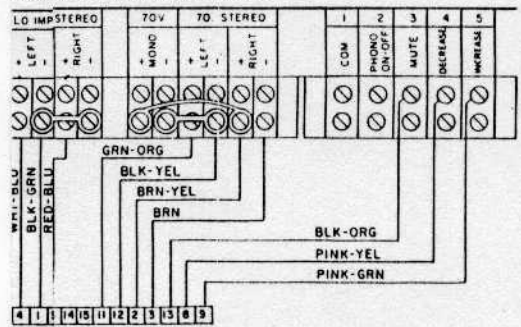
HEAT SINK ASSEMBLY 45724-A

PHONO SPEAKERS POWER S8

EXTERNAL LO IMPEDANCE SPEAKERS POWER S9



AUX. SPEAKER AND REMOTE CONTROL TERMINAL BLOCK



NOTE: REMOVE JUMPER PLUG WHEN USING "L" PAD KIT # 217