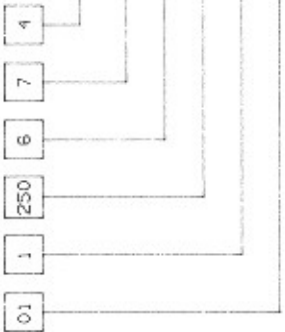


Section 8: Parts Catalog

Paragraph	Page
CD-100B CODE SHEET	8-2
INTRODUCTION	8-3
Catalog Description	8-3
Parts List Description	8-3
Ordering Replacement Parts	8-3
PHONOGRAPH ASSEMBLY EXTERNAL VIEW	8-5
TOP DOOR ASSEMBLY	8-9
FRONT DOOR ASSEMBLY	8-13
TITLE RACK ASSEMBLY	8-17
PHONOGRAPH ASSEMBLY INTERNAL VIEW	8-19
COIN CHUTE ASSEMBLY	8-21
OBA-2 ASSEMBLY	8-23
Transport Assembly	8-25
Transport Roller & Shaft Assemblies	8-29
Lower Harness Assembly	8-30
Harness & Holder Assembly	8-31
500 Bill Stacker Assembly	8-33
AMPLIFIER COMPARTMENT	8-35
Stereo Amplifier Assembly	8-37
Heat Sink Detail	8-38
Output Transformer Assembly	8-39
Main Power Supply	8-41
Central Control Computer Assembly	8-43
MECHANISM ASSEMBLY	8-45
Sprag Assembly	8-54
Cam Switch and Motor Assembly	8-55
ACCESSORY EQUIPMENT	8-56

COUNTRY 1st & 2nd Digit	PACK 3rd Digit	CO-100B SUB-ASSEMBLY 4th & 5th & 6th Digit	AMPLIFIER 7th Digit	BILL ACCEPTOR 8th Digit
01 = US = 6-10461-01	i = DomPack = 2-19410-03	250 = BL (60 HZ) = 6-10460-01	0 = None	0 = None
02 = Arg = 6-10461-02		251 = BR (60 HZ) = 6-10460-02	1 =	1 =
03 = Australia = 6-10461-03		252 = BL (50 HZ) = 6-10460-03	2 =	2 =
04 = Aus = 6-10461-04		253 = BR (50 HZ) = 6-10460-04	3 = 3-06322-09 Remote Volume Cont. Assy	3 =
05 = Bah = 6-10461-05			4 =	4 =
06 = Belg = 6-10461-06			5 = 250W Amp	5 =
07 = Canada = 6-10461-07			6 = 6-10249-02	6 = OBA 2-19411-01 W/Stacker
08 = Chile = 6-10461-08			7 = 250W Amp	
09 = Col = 6-10461-09			6-10249-02 with 3-06322-09 Remote Volume Control	
10 = Costa Ric = 6-10461-10			COIN ACCEPTOR 8th Digit	
11 = Neuf. Svk = 6-10461-11			0 = None	
12 = Denmark = 6-10461-12			1 =	
13 = Ecuador = 6-10461-13			2 = Export Rej. (Special) = 7-09519-XX*	
14 = El Salv = 6-10461-14			3 = 3 Coin Canadian Bdr. = 4-06962-01*	
15 = England = 6-10461-15			4 =	
16 = Finland = 6-10461-16			5 = Kit-Mars Slug Rej. = 2-18851-05	
17 = France = 6-10461-17			6 =	
18 = Germany = 6-10461-18			7 =	
19 = Guat = 6-10461-19			8 =	
20 = Holland = 6-10461-20			9 =	
21 = Hon = 6-10461-21			*Requires 4-07038-11	
22 = Italy = 6-10461-22				
23 = Japan = 6-10461-23				
24 = Mex = 6-10461-24				
25 = Nic = 6-10461-25				
26 = Norway = 6-10461-26				
27 = Aruba = 6-10461-27				
28 = Panama = 6-10461-28				
29 = Curaco = 6-10461-29				
30 = Spain = 6-10461-30				
31 = Sweden = 6-10461-31				
32 = Swiss Fr = 6-10461-32				
33 = Swiss Ge = 6-10461-33				
34 = Trinidad = 6-10461-34				
35 = Eng Video = 6-10461-35				
36 = Puerto R = 6-10461-36				
37 = Guyana = 6-10461-37				
38 = Brazil = 6-10461-38				
39 = Barbados = 6-10461-39				
40 = Surinam = 6-10461-40				
41 = Yugo = 6-10461-41				
42 = S. Africa = 6-10461-42				
43 = US (220V) = 6-10461-43				
44 = US (240V) = 6-10461-44				
45 =				
46 =				
47 =				
48 =				
49 =				

SAMPLE:



CD-100B Codes

Revision A

INTRODUCTION

This parts catalog lists procurable replacement parts for the phonograph. The purpose of this parts catalog is to locate and identify replaceable components and supply information on how to order them.

Catalog Description

This catalog is divided into major sections labeled figures, which correspond to the illustrations used. Some assemblies require more than one illustration to identify the parts. Each page has a sheet number to identify the sheet as part of that assembly's parts list.

Since replacing parts that are welded or riveted onto an assembly is normally impractical, replacement parts are not listed for these items. The assembly that contains the welded part should be replaced.

Parts List Description

The parts list contains four columns:

- **Figure, Sheet, and Index Number** — The first entry in this column is the figure number of the corresponding illustration. An index number, when listed, corresponds to the index number appearing on the illustration. Index numbers are not used when items are listed for reference purposes only or when the item listed is an alternate part.
- **Rowe Part Number** — This column lists the part number to use when ordering replacement parts or making inquiries.
- **Description** — This column gives a word description of each part or assembly. Each item is indented to show its relationship to the next higher assembly.
- **Qty** — This column contains the part quantity used in the assembly. When a figure describes more than one model of an assembly, the "Qty" column is divided to show each model.

Ordering Replacement Parts

All replacement parts must be ordered directly from an authorized Rowe Distributor.

Once the replacement item has been determined, complete a Standard Parts Order Form. (available from your Rowe Distributor at no charge) Very often parts orders are delayed because of inadequate or incompletely filled out parts order forms. To enable prompt delivery, always specify the following information:

- Part Number and Description (indicate color, if applicable)
- Quantity required
- Machine Model and Serial Number
- Complete shipping address, including the ZIP code
- Shipping Instructions must be supplied. If the shipping method is Parcel Post, Air Parcel Post, United Parcel Service, or Air UPS, and the packages may exceed the size and weight limits of these services, indicate an alternate shipping method.

If the shipment must be delivered as fast as possible, specify "Fastest Way". Rowe will select the carrier for orders that justify shipment by truck.

Figure 8-1. CD-100B Phonograph External View

Sheet 1

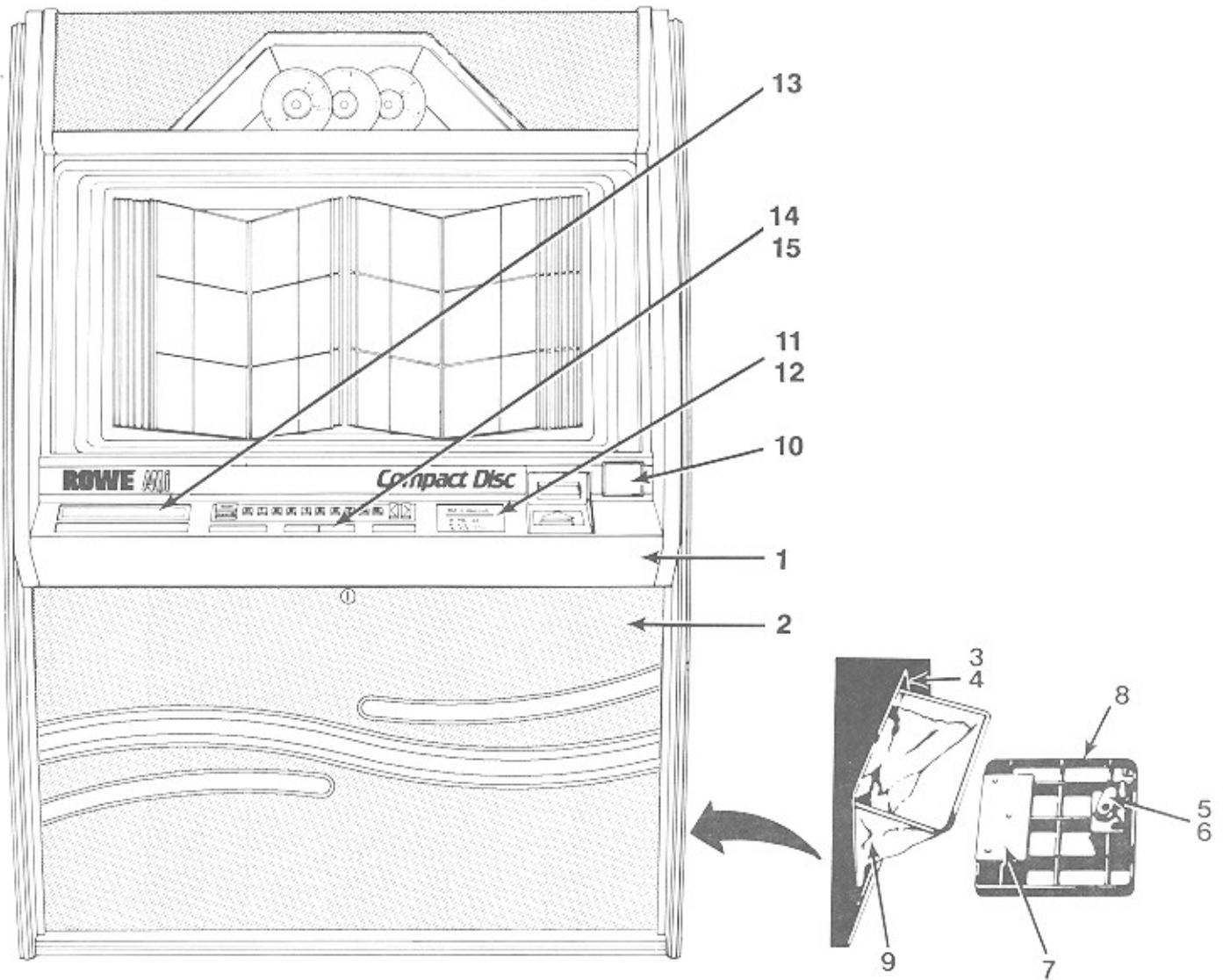


Figure 8-1 CD-100B Phonograph External View (Sheet 1)

Ref.	Part No.	Description	Qty
	61046001	CD-100B Phonograph Assembly—Blue (60 Hz)	Ref.
	61046002	CD-100B Phonograph Assembly—Brown (60 Hz)	Ref.
	61046003	CD-100B Phonograph Assembly—Blue (50 Hz)	Ref.
	61046004	CD-100B Phonograph Assembly—Brown (50 Hz)	Ref.
1	61046501	Top Door Assembly—Blue (<i>see figure 8-2</i>)	1
1	61046502	Top Door Assembly—Brown (<i>see figure 8-2</i>)	1
2	61047001	Front Door Assembly—Blue (<i>see figure 8-3</i>)	1
2	61047002	Front Door Assembly—Brown (<i>see figure 8-3</i>)	1
3	40527605	• Cash Box Door Frame	1
4	21776005	• "U" Type Speed Clip	1
	21186605	• Cash Box Door Assembly	1
5	70162004	• • Cylinder Lock	1
6	20669501	• • Lock Support	1
7	20770301	• • Catch Bracket	1
8	60326705	• • Cash Box Door	1
9	30702601	• Cash Bag	1
	70212507	• • Felt Adhesive Tape	1
	70166008	• • Lock Bolt—Straight	1
10	30939001	• Blockout-Coin Inlet	1
11	21845612	• Window - Price Card	1
12	Ref.	• Price Card (<i>see the table on the following page</i>)	1
13	Ref.	• Card Readout (<i>see the table on the following page</i>)	1
14	21845611	• Window - Selector	1
15	Ref.	• Card-Selector Graphics (<i>see the table on the following page</i>)	1

Price Card Part Numbers			
Price Card Language	Price Card	Readout Card	Selector Graphics Card
Standard	30931304	30934804	30934902
Spanish	30952901	30953001	30953101
German	30952902	30953002	30953102
French	30952903	30953003	30953103
England	30952906		
England	30952916		

Figure 8-1. CD-100B Phonograph External View

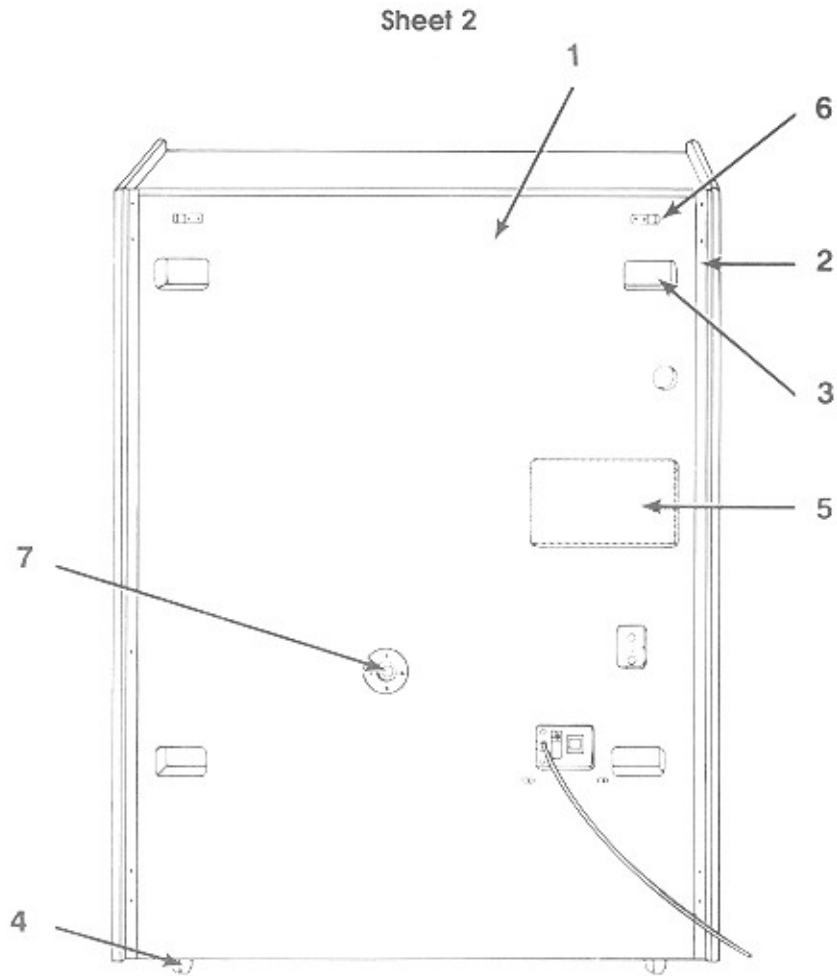
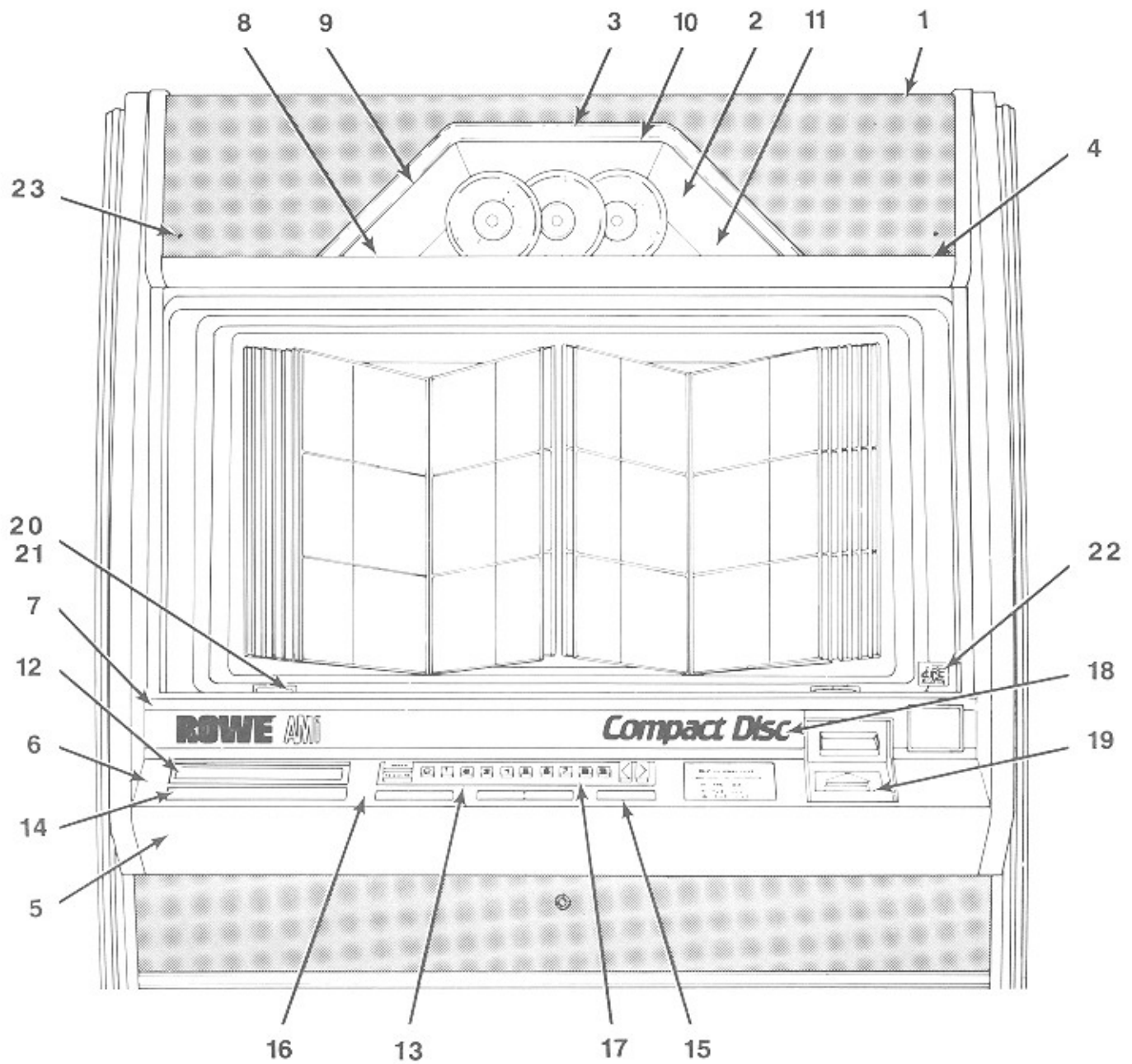


Figure 8-1 CD-100B Phonograph External View (Sheet 2)

Ref.	Part No.	Description	Qty
	61046001	CD-100B Phonograph Assembly—Blue (60 Hz)	Ref.
	61046002	CD-100B Phonograph Assembly—Brown (60 Hz)	Ref.
	61046003	CD-100B Phonograph Assembly—Blue (50 Hz)	Ref.
	61046004	CD-100B Phonograph Assembly—Brown (50 Hz)	Ref.
1	61035003	• Shell Assembly (Blue)	1
1	61035004	• Shell Assembly (Brown)	1
	60927901	•• Bracket-Cash Bag	1
	21451801	•• Lock Spring	1
	30866905	•• Protective Strap	2
	70240126	•• Screen-Wire Mesh	1
	21537203	•• Tee Nut	2
	20932601	•• Tee Nut	6
	21750618	•• Vent Tube	1
	21750616	•• Vent Tube	1
2	40702808	•• Skid Rail	2
3	30625701	•• Hand Hold Cover	4
4	30634001	•• Caster and Cup Assembly	4
5	30868402	• Enclosure Screen	1
6	20879501	• Power Cord Holder (Bracket - Retainer)	2
7	21265203	• Tie Down Plate Assembly	1

Figure 8-2. CD-100B Phonograph Top Door Assembly

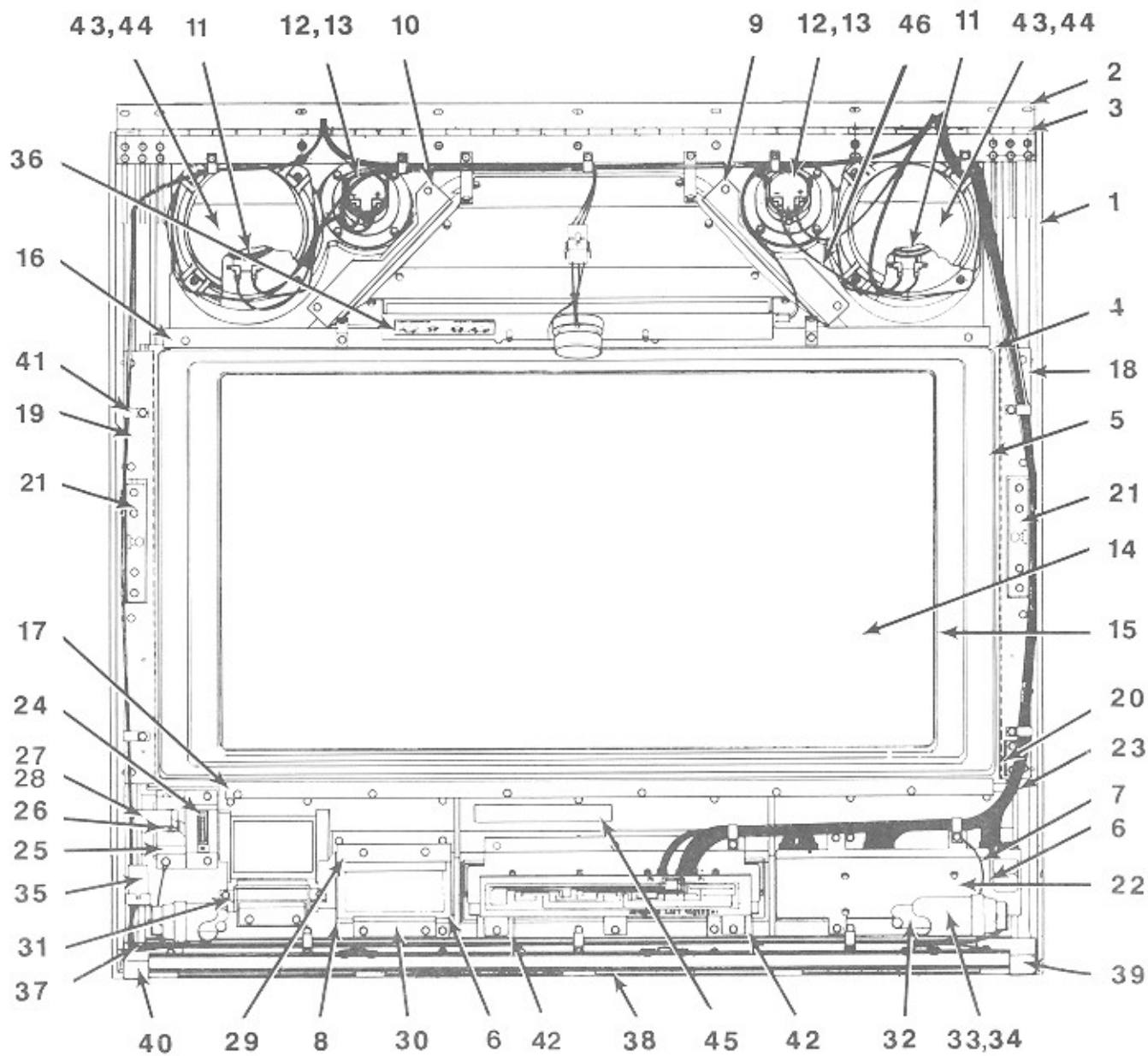
Sheet 1



Ref.	Part No.	Description	Qty
	61046501	Top Door Assembly—Blue	Ref.
	61046502	Top Door Assembly—Brown	Ref.
1	61034103	• Grille - Upper (Blue)	1
1	61034104	• Grille - Upper (Brown)	1
2	61036003	• Animation Assembly	1
	61046901	• • Housing - Animation (Upper)	1
	61047101	• • Housing - Lower	1
	61047201	• • Housing - Rear	1
	61037201	• • Housing - Side (RH)	1
	61037101	• • Housing - Side (LH)	1
	30936901	• • Plate Assembly - Animation Drive	1
	30937201	• • Bracket - Animation Mounting (Upper)	2
	30937301	• • Bracket - Animation Mounting (Lower)	2
	40824302	• • Motor & Harness Assembly	1
	30936701	• • Shaft	2
	70143001	• • Ring - External Retaining	4
	21110001	• • Washer - Thrust	2
	40834901	• • Gear	3
	21532801	• • Speednut - Push On	3
	61037402	• • Printed Wiring Board - CD Animation	1
	21862201	• • Lamp & Socket Assembly	8
	30866501	• • Lens - Brown	4
	30866504	• • Lens - Magenta	2
	30866503	• • Lens - Clear	2
	40834801	• • Support - Disc	3
	21922201	• • Ring - Compression	3
	30926904	• • Disc - Animation	3
	21922602	• • Label - Copyright	1
	21955701	• • Label-Animation Removal	1
3	61033405	• Trim - Animation Box	1
4	61033504	• Trim - Speaker Panel	1
5	40837101	• Trim & Strike Assembly	1
6	61033201	• Trim - Control Panel	1
7	61033103	• Trim - Control Panel (Upper)	1
8	70212213	• Sponge Rubber - Closed Cell	1
9	70212214	• Sponge Rubber - Closed Cell	2
10	70212215	• Sponge Rubber - Closed Cell	1
11	40834101	• Window - Animation	1
12	21845610	• Window - Digital Display	1
13	61033801	• Trim - Keyboard	1
14	30934804	• Card - Readout	1
15	70212230	• Sponge Rubber - Closed Cell	2
16	70212231	• Sponge Rubber - Closed Cell	4
17	40833501	• Keyboard Assembly	1
	21949601	• Keyboard Key Kit - Complete Set Of Numbers	1 Set
	21949701	• Keyboard Key Kit - Four Button Set (POPULAR, <<, >>, RESET)	1 Set
18	61036203	• Decal - Compact Disc (Blue)	1
18	61036204	• Decal - Compact Disc (Brown)	1
19	30935102	• Decal - B.A. Inlet	1
20	30921502	• Frame - License (White)	2
21	21921001	• Retainer - License	2
22	21922001	• Sticker - CD	1
23	70136508	• Brad - Cohered	2
	25223101	• Label - Flag	1

Figure 8-2. CD-100B Phonograph Top Door Assembly

Sheet 2



Ref.	Part No.	Description	Qty
	61046501	Top Door Assembly—Blue	Ref.
	61046502	Top Door Assembly—Brown	Ref.
1	61033603	• Frame - Top Door (Blue)	1
1	61033604	• Frame - Top Door (Brown)	1
2	61035802	• Hinge - Top Door	1
3	70220485	• Foamed Tape	1
4	70212211	• Sponge Rubber - Closed Cell	2
5	70212212	• Sponge Rubber - Closed Cell	2
6	70212227	• Sponge Rubber - Closed Cell	4
7	70212228	• Sponge Rubber - Closed Cell	3
8	70212229	• Sponge Rubber - Closed Cell	2
9	30934301	• Bracket - Mounting (Animation Window) LH	1
10	30934401	• Bracket - Mounting (Animation Window) RH	1
11	40830803	• Speaker - Mid Range (6")	2
12	40830901	• Speaker - Tweeter (3")	2
13	21944401	• Spacer - Speaker	8
14	21961101	• Window - Front	1
15	61036101	• Housing - Title Rack	1
16	30934501	• Bracket - Mounting (Window - Upper)	1
17	30934601	• Bracket - Mounting (Window - Lower)	1
18	40834301	• Bracket - Mounting (Window LH)	1
19	40834401	• Bracket - Mounting (Window RH)	1
20	21941901	• Actuator - Reset	1
21	30934701	• Pivot Assembly - Gas Spring	2
22	40832303	• Digital Display Assembly	1
23	40833402	• Harness Assembly - Digital Display	1
24	40831802	• Inlet - Coin	1
25	30931601	• Bracket - Guide (Reject)	1
26	21834801	• Channel	2
27	21822901	• Spring - Compression	1
28	21942302	• Button & Shaft Assembly - Reject	1
29	40831701	• Holder - Price Card	1
30	21942401	• Bracket - Holder (Price Card)	1
31	30931401	• Insert - B.A. Inlet	1
	40836303	• Blockout - Bill Acceptor (Models WO bill acceptor, Blockout not shown)	1
	30939401	• Decal - Coin Blockout—Blue (Models WO coin acceptor, Decal not shown)	1
	30939402	• Decal - Coin Blockout—Brown (Models WO coin acceptor, Decal not shown)	1
32	70060112	• Lamp - Fluorescent (30 W T-8)	1
33	61036501	• Tube - Color	1
34	61037603	• Filter - Color (Blue)	1
34	61037602	• Filter - Color (Brown)	1
35	70080004	• Starter - Fluorescent (FS-4)	1
36	30935302	• Label - Speaker Harness	1
37	40834501	• Harness Assembly - Top Door Light	1
38	30935601	• Diffuser - Light	1
39	30939701	• Bracket - Light Block (LH)	1
40	30939801	• Bracket - Light Block (RH)	1
41	70093401	• Clamp - Cable (17/32)	14
42	30941401	• Bracket - Hold Down (Graphics)	2
43	30951201	• Pad - Acoustical (Speaker Cover)	4
44	61042801	• Housing - Speaker	2
45	21948801	• Label - Warning	1
46	25240601	• Jumper Assembly	2

Figure 8-3 CD-100B Front Door Assembly

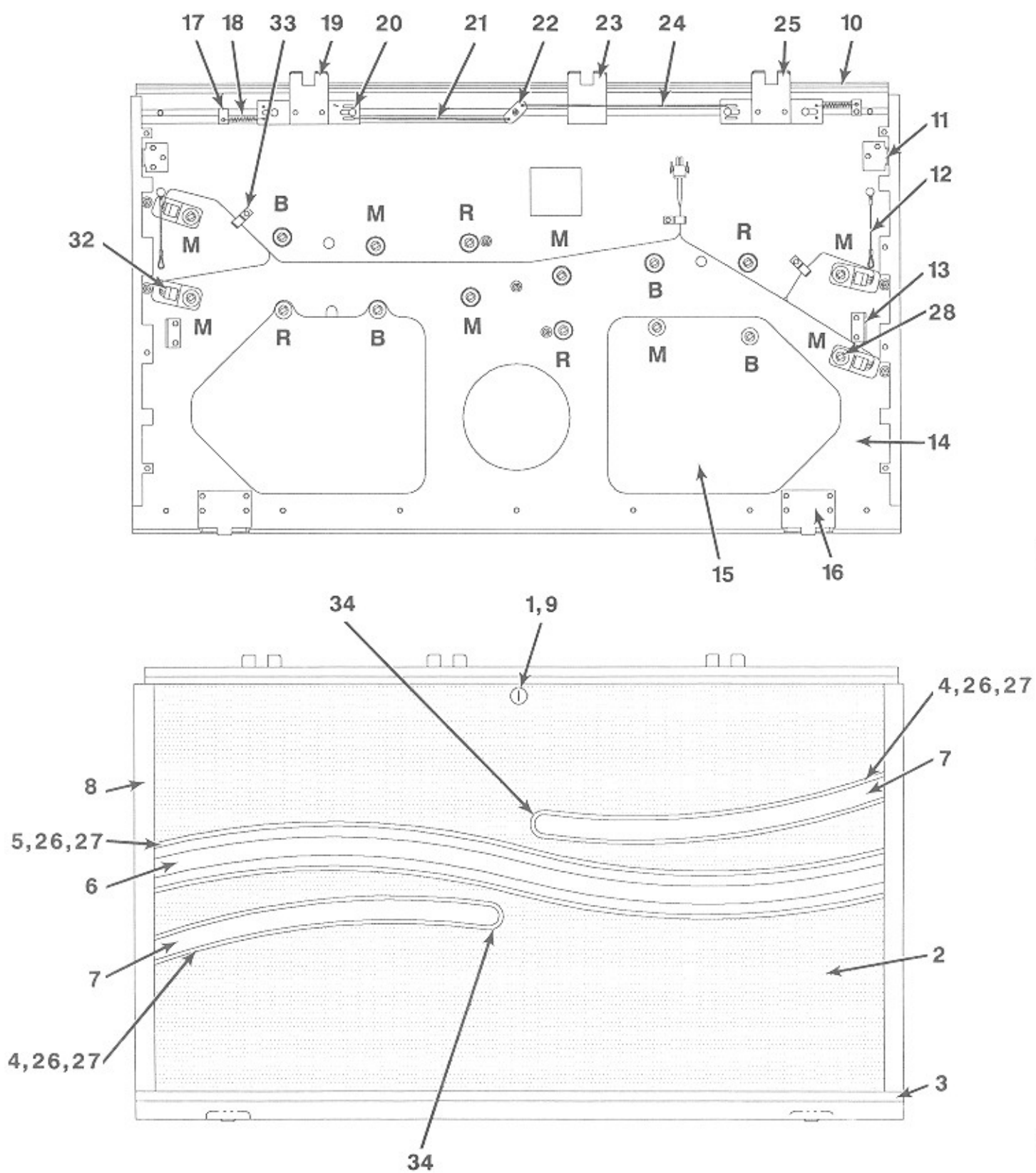
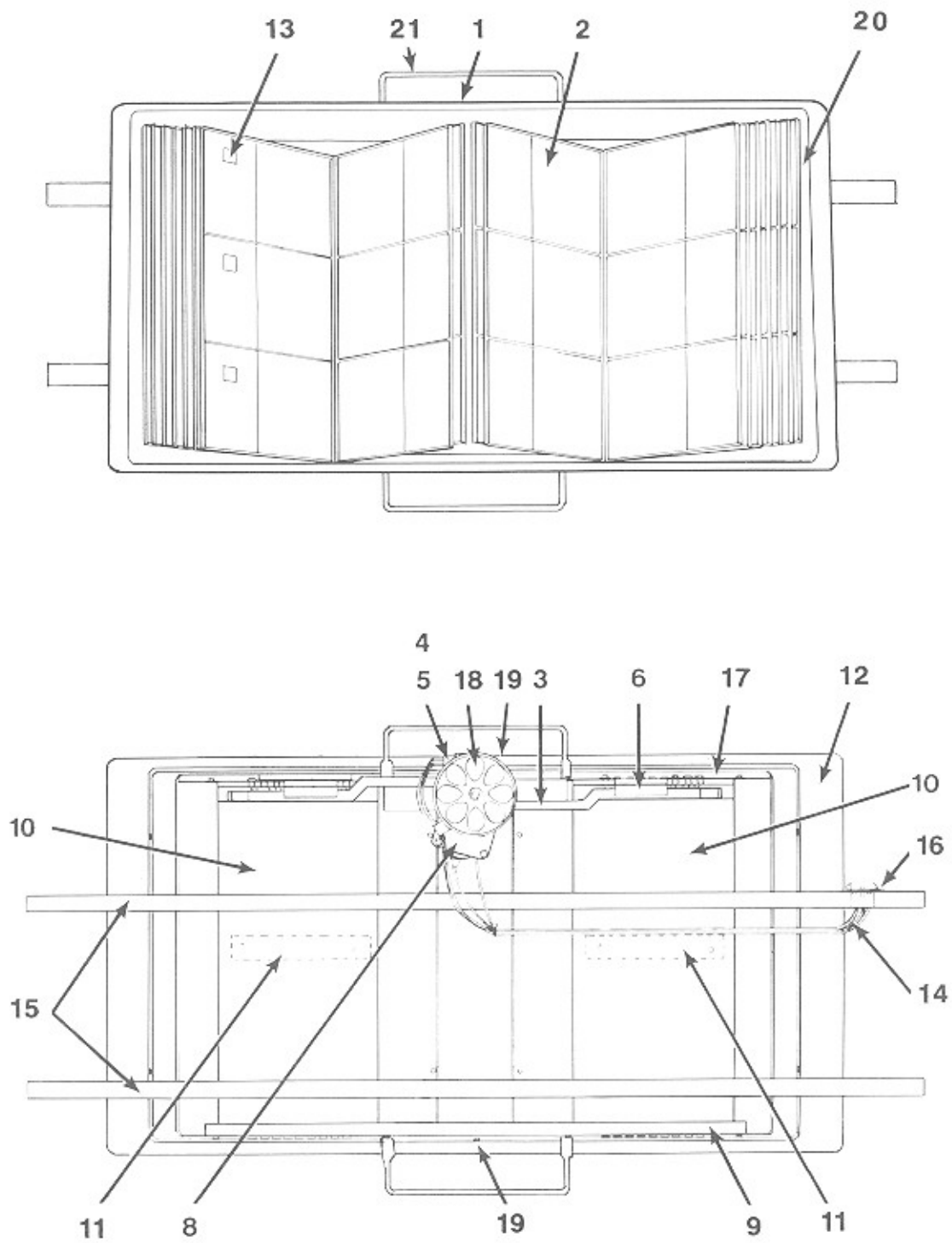


Figure 8-3 CD-100B Front Door Assembly

Ref.	Part No.	Description	Qty
	61047001	Front Door Assembly—Blue	Ref.
	61047002	Front Door Assembly—Brown	Ref.
1	70163211	• Cylinder - Lock (Common Key)	1
2	61034303	• Grille - Lower (Blue)	1
2	61034304	• Grille - Lower (Brown)	1
3	61033703	• Trim - Bottom	1
4	30953801	• Trim Assembly - Grille (4 Lamp)	2
5	30953701	• Trim Assembly - Grille (8 Lamp)	1
6	61046201	• Diffuser Trim Assembly - Large	1
7	61046301	• Diffuser Trim Assembly - Small	2
8	40831303	• Trim - Side	2
9	21795305	• Bezel - Lock	1
10	61034401	• Lockbar	1
11	21883504	• Strike	2
12	21572601	• Cable - Fall Stop	2
13	21920101	• Bracket - Upstop	2
14	61034204	• Panel - Door (Lower)	1
15	40833603	• Scrim - Front Door	1
16	21940801	• Strap - Hinge	2
17	21567401	• Retainer - Spring	2
18	21256201	• Spring - Tension	2
19	21941801	• Lockbar Assembly (RH)	1
20	20922502	• Spacer	4
21	21724905	• Link - Lockbar	1
22	21425601	• Bolt - Lock	1
23	21941301	• Catch	1
24	21724902	• Link - Lockbar	1
25	21941701	• Lockbar Assembly (LH)	1
26	61046701	• Insulator	4
27	61046401	• Printed Wiring Board	4
28	21862201	• Lamp and Socket Assembly	16
29	30866504	• Lens - Magenta (Shown as M)	8
30	30866501	• Lens - Amber (Shown as A)	4
31	30866505	• Lens - Red (Shown as R)	4
32	40846701	• Harness - Front Door	1
33	70093101	• Cable Clamp	3
	70212219	• Sponge Rubber - Closed Cell	1
34	40836601	• • Cap - Trim	2

Figure 8-4 Title Rack Assembly



Ref.	Part No.	Description	Qty
	61046001	CD-100B Phonograph Assembly—Blue	Ref.
	61046002	CD-100B Phonograph Assembly—Brown	Ref.
1	61035702	• Title Rack Assembly—Blue	1
1	61035701	• Title Rack Assembly—Brown	1
2	30933901	• • Page & Clip Assembly	18
2	30933903	• • Page & Clip Assembly—Red	18
3	40833802	• • Rack CD Title Page	2
4	21942201	• • Switch - Micro	2
5	21083001	• • Nut - Twin	1
6	30935501	• • Guide - Side (CD Page Assembly)	2
7	30935001	• • Guide - Center, CD Page Assembly (Not Shown)	1
8	30936301	• • Motor & Gear Assembly	1
9	61036801	• • Plate - Bottom (CD Page Assembly)	1
10	61036902	• • Support - Vertical (CD Page Assembly)	1
11	40834701	• • Guide - Center (CD Page)	2
12	61036601	• • Shroud	1
13	40835401	• • Strip - Numbers (Page)	1
14	30938501	• • Harness Assembly - Interconnect	1
15	40835301	• • Brace - Mounting	2
16	30938301	• • Plate - Connector	1
17	61036701	• • Plate - Top (CD Page Assembly)	1
18	40848301	• • Knob	1
19	30940701	• • Label - Warning	2
20	30940801	• • Bumper - Page	4
21	30941801	• • Handle	2
	30941101	• • Bracket - Light Block	2
	21944401	• • Spacer - Speaker	4
	70134129	• • Screw - Special (#8-18 Griplock)	33
	70800106	• • Cable Tie	2

Figure 8-5. CD-100B Phonograph Internal View

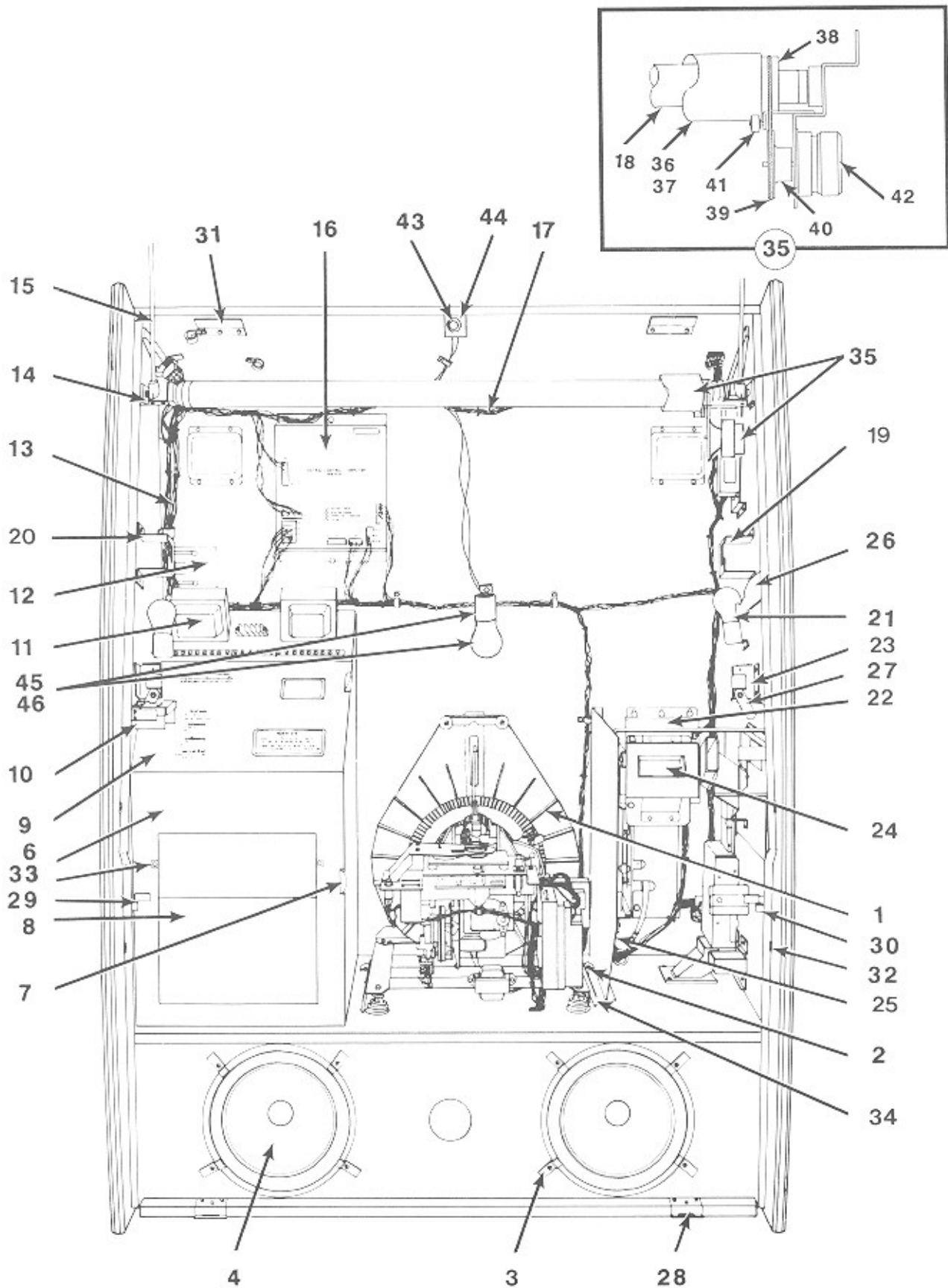
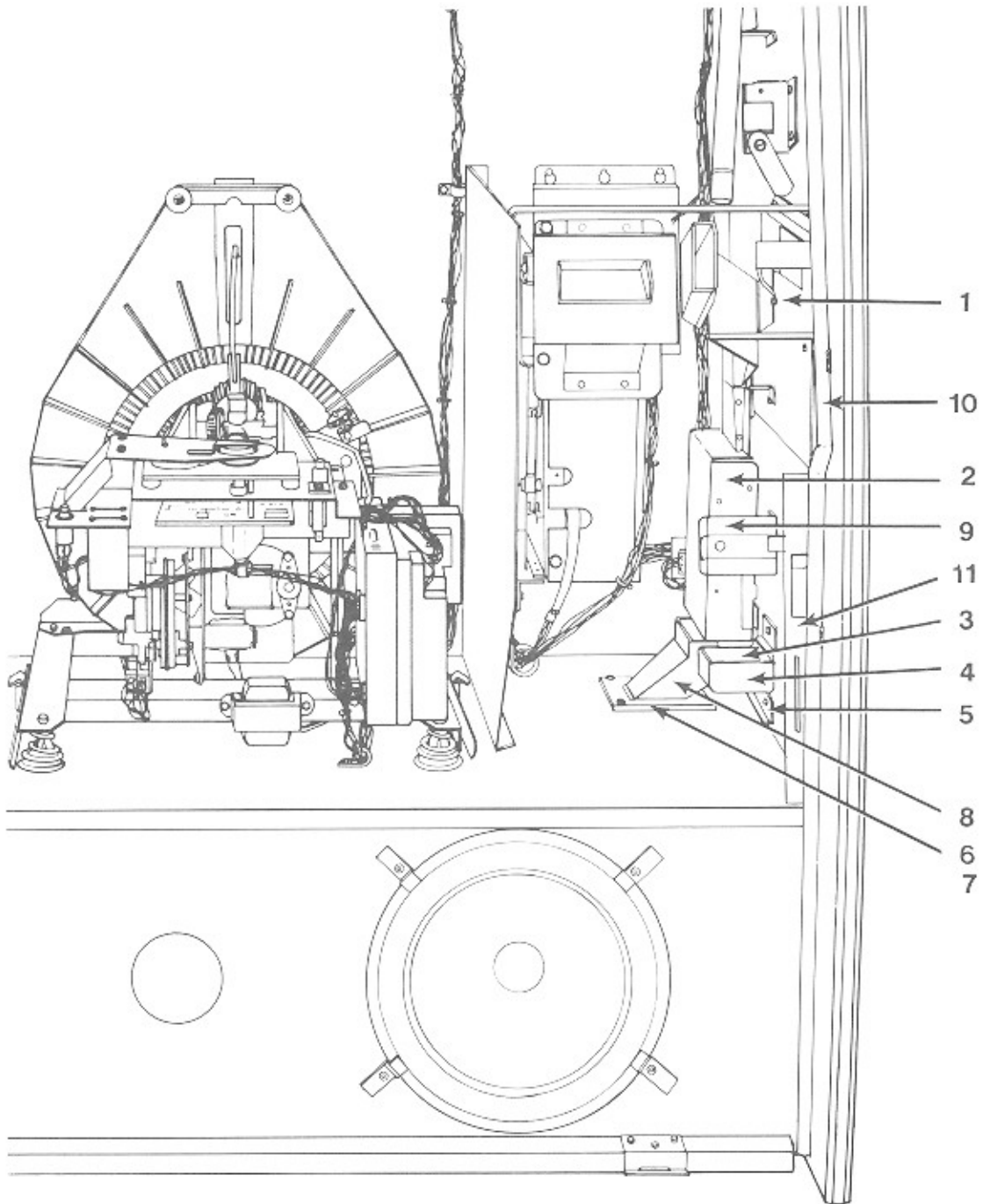


Figure 8-5 CD-100B Phonograph Internal View

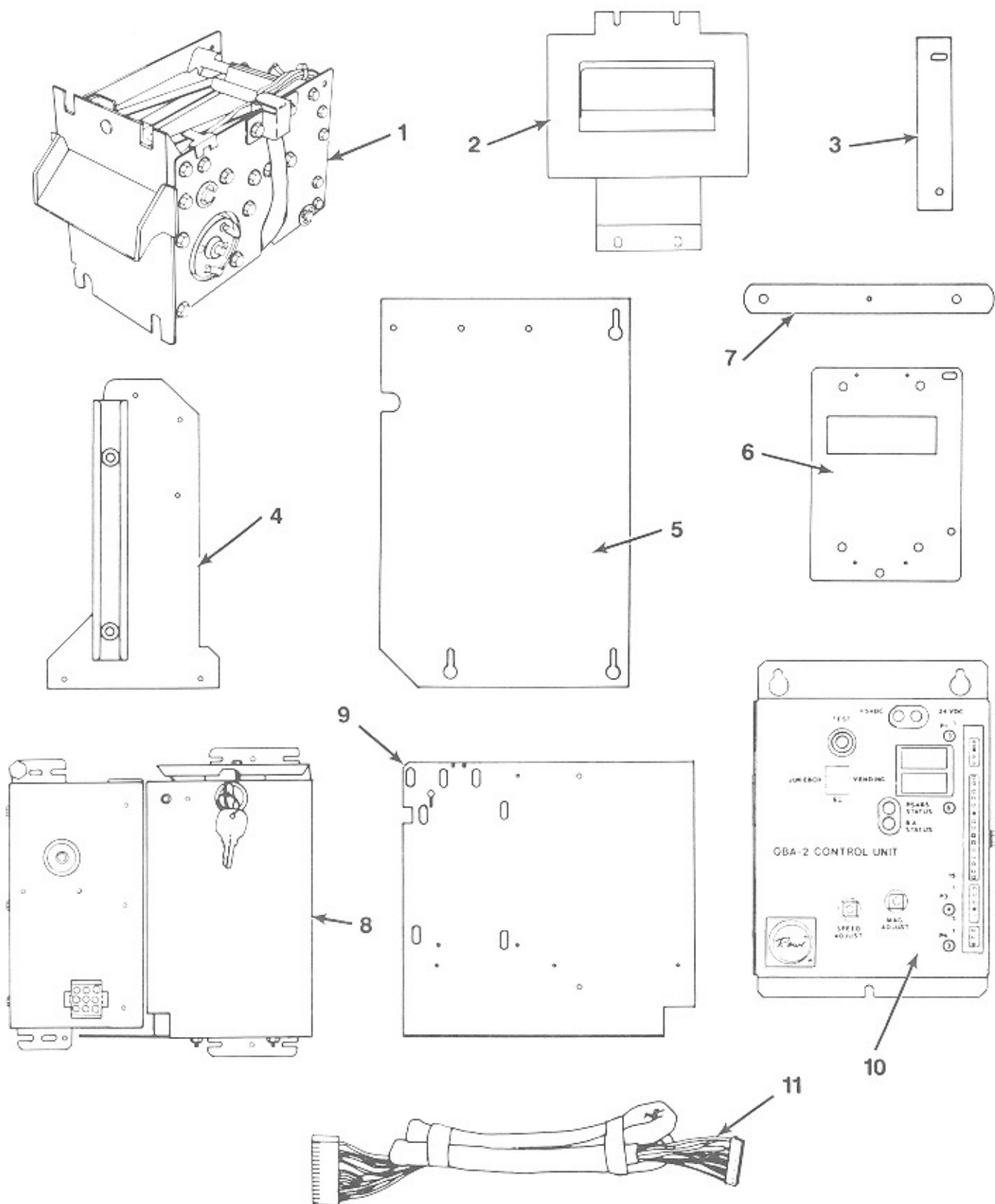
Ref.	Part No.	Description	Qty
	61046001	CD-100B Phonograph Assembly (60 Hz)	Ref.
	61046003	CD-100B Phonograph Assembly (50 Hz)	Ref.
1	61033001	• Mechanism Assembly - CD (see figure 8-19)	1
2	30932101	• Bracket - Mech Tie Down	2
3	21780701	• Bracket - Retainer, Speaker	8
4	40830703	• Speaker - Woofer 10 Inch	2
5	21780609	• Pad - Acoustical (Not Shown)	1
6	30934101	• Panel Assembly - Amplifier	1
7	21751804	• Spring Catch	2
8	30869801	• Handy Case	1
(For a list of items included in the Handy Case, with part numbers, refer to Table 8-1, Accessory Equipment, at the end of this section)			
9	40836101	• Panel Assembly - Amp (Top)	1
10	40835601	• Switch Assembly - Service	1
11	40832101	• Output Transformer Assembly (see figure 8-16)	1
12	21759301	• Cover - Cord Hole	1
13	61035503	• Harness & Switch Assembly	1
14	30936501	• Bracket - Ball Stud	2
	21797601	• Stud - Ball	2
15	40714908	• Spring - Pneumatic	2
16	40832201	• Central Control Computer	1
17	40832903	• Harness—110 Volt (60 Hz)	1
17	40832904	• Harness—110 Volt (50 Hz)	1
18	70060112	• Fluorescent Lamp (30 watt, T-8)	1
	70080004	• Starter - Fluorescent Lamp	1
19	30938201	• Mounting Bracket - Title Rack Upper (RH)	1
20	30938101	• Mounting Bracket - Title Rack Upper (LH)	1
21	70060410	• Lamp - Incandescent	2
22	61038903	• Control Unit - OBA (see figure 8-7)	1
23	30938401	• Bracket - Latch (Lower)	2
24	65056511	• Bill Acceptor transport (see figure 8-7)	1
25	61034801	• Bill Acceptor Mounting Plate (see figure 8-7)	Ref.
26	30938601	• Support Bracket Assembly	1
27	30938801	• Latch Pivot	1
28	30952301	• Door Mounting Bracket	2
29	21712701	• Latch Assembly (L.H.)	1
30	21712801	• Latch Assembly (R.H.)	1
31	30936601	• Bracket - Guide (Hinge)	2
32	21491301	• Door Guide	4
33	21870001	• Snap-In Fastener	2
34	30932201	• Lever - Mech Release	2
35	Ref.	• Color Tube Assembly	Ref.
36	30954201	• • Tube - Color	1
37	61047601	• • Filter - Color (Blue)	1
37	61047602	• • Filter - Color (Brown)	1
38	30953901	• • Cap - End (Color Tube)	2
39	21897301	• • Belt - O-Ring	1
40	21897401	• • Pulley	1
41	30954001	• • Bracket - Wheel Mounting	2
42	40824302	• • Motor & Harness	1
43	25060401	• Switch - Momentary	1
44	30956201	• Bracket - Switch	1
45	21943601	• Socket - Lamp	1
46	70060423	• Lamp - 120 V, 40 Watt	1

Figure 8-6. Coin Chute Assembly



Ref.	Part No.	Description	Qty
	61046001	CD-100B Phonograph Assembly (60 Hz)	Ref.
	61046002	CD-100B Phonograph Assembly (50 Hz)	Ref.
1	40832701	• Support & Coin Chute Assembly	1
	40831201	• • Support - Coin Chute and Reject Mechanism	1
	40833701	• • Chute Assembly - Coin (Upper)	1
	30930901	• • Pivot - Scavenge	1
	30931101	• • Link - Scavenge	1
	30931901	• • Actuator - Slug Rejector	1
	21940601	• • Link - Scavenge (Pivot)	1
	21256201	• • Spring - Tension	1
	21765601	• • Spring - Compression	1
	25156904	• • Washer - Shoulder	1
	20922502	• • Spacer	6
	70120010	• • Washer	1
	25155901	• • Bumper - Split Stem	1
	70091702	• • Solder Lug	1
2	40703811	• Mounting Bracket & Coin Switch Assembly	1
	40579302	• • Mounting Bracket Assembly	1
	30578702	• • Switch Assembly - Coin	1
	21790201	• • Hinge - Rejector	1
	21411401	• • Spacer	1
	20636801	• • Stud (#8-32)	1
3	21792901	• Door - Slug Cup	1
4	30781702	• Cup - Slug - (Black)	1
5	21793001	• Bracket - Slug Cup	2
6	30743701	• Collar - Coin Chute	1
7	21754401	• Gasket - Coin Chute	1
8	61034701	• Chute - Lower (Coin)	1
9	21429501	• Rejector Catch Assembly	1
	21730001	• Hook - Fall Stop	2
	21790102	• Support - Hinge	1
	70093401	• Cable Clamp (17/32)	15
	70093402	• Cable Clamp (13/16)	20
	21797503	• Screw - Tie Down	1
	21943501	• Blockout Retainer Bracket (C.I.)	1
	30939502	• Decal - Coin Inlet	1
	30939601	• Decal - Crest (BA Blockout, 50 Hz Only)	1
10	40833101	• Door Support - R.H. (Upper)	1
	40833001	• Door Support - L.H. (Upper)	1
11	30951601	• Door Support - R.H. (Lower)	1
	30951501	• Door Support - L.H. (Lower)	1
	70220487	• Foamed Tape	2
	21865301	• Link - Pivot	3
	25142281	• Jumper Assembly	1
	25142243	• Jumper Assembly	1

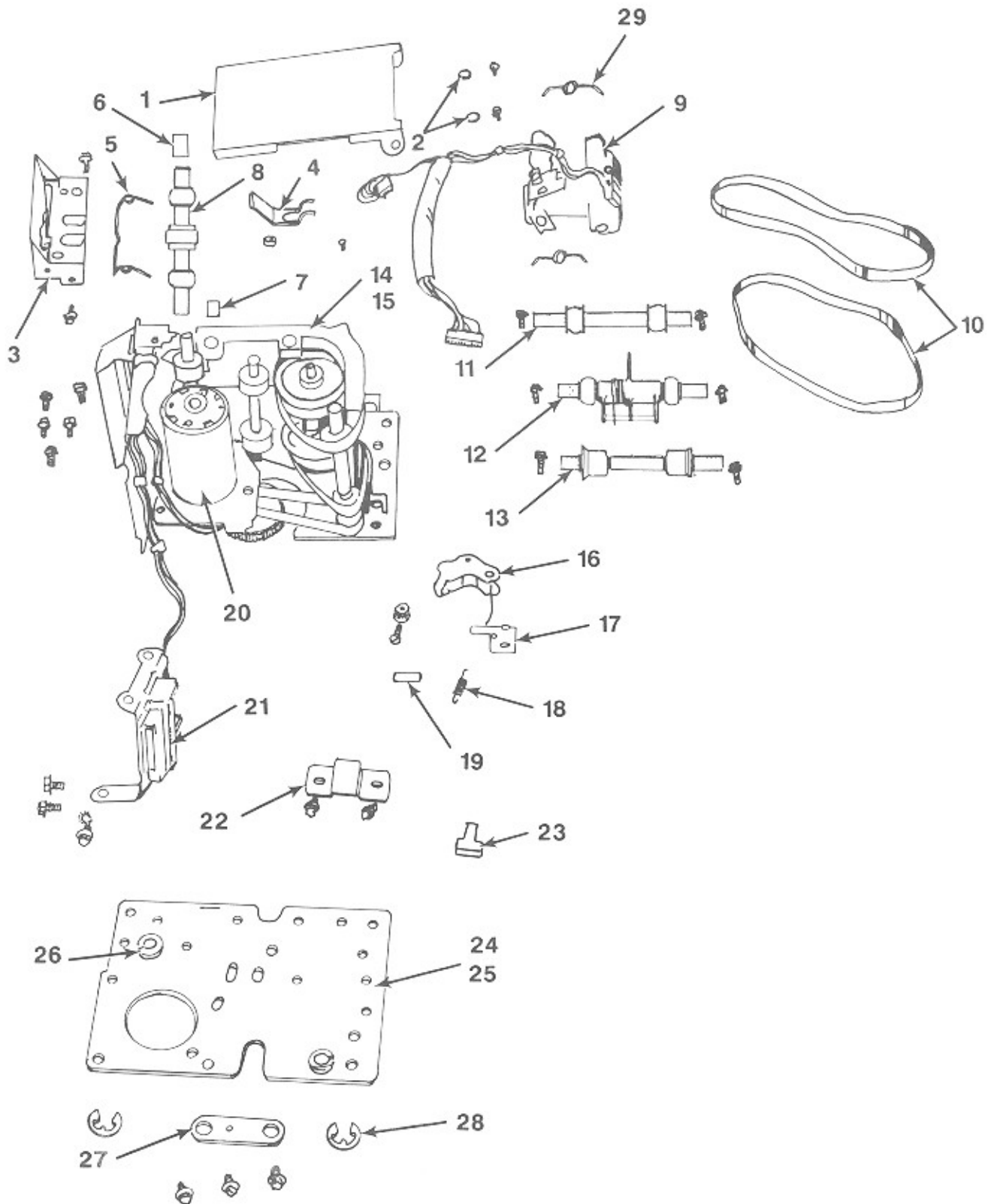
Figure 8-7. OBA-2 Bill Acceptor Assembly



Ref.	Part No.	Description	Qty
	61046001	CD-100B Phonograph Assembly (60 Hz)	Ref.
1	65056511	• Transport Assembly OBA 1&5 (<i>see figure 8-8</i>)	Ref.
2	61033901	• Trim - Bill Acceptor	1
3	30857901	• Bracket - Adjustment	1
4	30858402	• Slide Assembly - Support	1
5	61034801	• Plate - Mounting (BA)	Ref.
6	30858005	• Support Assembly - Front Plate	1
7	30858801	• Bar Assembly - Slide	1
8	60971516	• Bill Stacker Assembly (500 Bill Right-Hand Opening)	1
9	61035601	• Panel - Mounting (BA)	1
10	61038904	• Control Unit	1
	65063401	• • Base and Stud Assembly	1
	65063209	• • Circuit Board Assembly	1
	65063509	• • Control Unit Cover	1
11	45070203	• Interconnect Harness Assembly	1
	21875001	• Spacer - Rear (Not Shown)	1
	70093402	• Cable Clamp (Not Shown)	6
	70121211	• Spacer (Not Shown)	2
	21828201	• Spacer - Roller (Not Shown)	1
	20554502	• Clip - Cable (Not Shown)	1

Figure 8-8. OBA-2 Transport Assembly

Sheet 1



Ref.	Part No.	Description	Qty
	65056511	Standard OBA Transport Assembly	Ref.
1	35083801	• Light Block	1
2	20922503	• Spacer	2
3	35082904	• Inlet and Stud Assembly	1
4	35082601	• Pressure Roller Spring	1
5	25213601	• Spring	1
6	25213501	• Long Sleeve Spacer	1
7	25213502	• Short Sleeve Spacer	1
8	35097801	• Pressure and Crowned Roller Shaft Assembly (see figure 8-9, E)	1
9	45059801	• Harness and Holder Assembly (see figure 8-11)	1
10	35118601	• Drive Belt	2
11	35097501	• Crowned Roller Shaft Assembly (see figure 8-9, C)	1
12	35097402	• Anti Cheat Lever Shaft Assembly (see figure 8-9, B)	1
13	35097601	• Creasing Roller Shaft Assembly (see figure 8-9, D)	1
14	35099403	• Track and Pressure Roller Assembly	1
15	35083004	• • Lower Track	1
16	35080603	• • Pressure Roller Assembly	1
17	25224601	• • Pressure Roller Spring Bracket	1
18	25225003	• • Tension Spring	1
19	25191701	• • Pivot Pin	1
20	45058404	• Motor Assembly (With Shield)	1
21	35080701	• Circuit Board and Bracket Assembly	1
22	35083701	• Wire Holding Bracket	1
23	21776009	• U-Type Speed Clip Fastener	1
24	35098001	• Side Plate Assembly (RH)	1
25	45057801	• • Side Plate (RH)	1
26	70146004	• • Nyliner Bearing	2
27	25194101	• • Take-up Shaft Bracket	1
28	70143004	• External Retaining Ring	2
29	35112301	• Retainer - Mag. Head Holder	2
	70122009	• Washer - Internal Lock	1
	25223101	• Label - Flag	1
	25023902	• Tie - Wire	2

Figure 8-8. Transport Assembly

Sheet 2

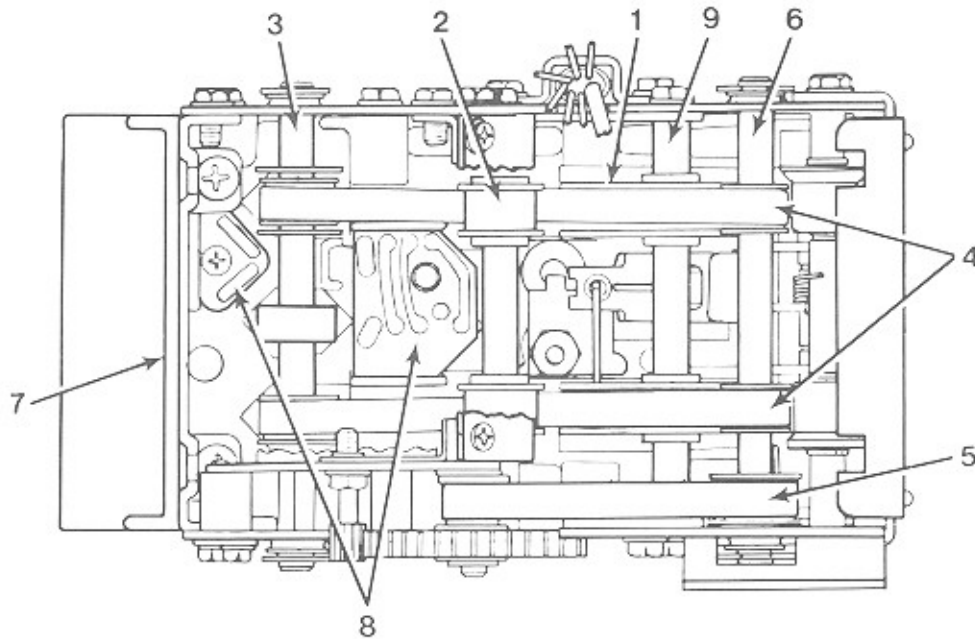


Figure 8-8. OBA-2 Transport Assembly (Sheet 2)

Ref.	Part No.	Description	Qty
	65056511	OBA-2 Transport Assembly	Ref.
1	35080101	• Drum Pulley	2
2	35098101	• Take-up Roller Shaft Assembly (see figure 8-9, F)	1
3	35080501	• Lower Input Roller Assembly (see figure 8-9, A)	1
4	45077201	• Timing Belt (140 Tooth)	2
5	35082001	• Timing Belt (70 Tooth)	1
6	35080801	• Drive Shaft Assembly (see figure 8-9, G)	1
7	35090604	• Casting, Plate and Harness Assembly	1
	45064201	• Front Plate	1
8	45058202	• Harness Assembly - Lower (see figure 8-10)	1
9	35097701	• Ring Shaft Assembly	1
	35080001	• Drum Pulley Shaft	1
	70143004	• External Retaining Ring	2

Figure 8-8. Transport Assembly

Sheet 3

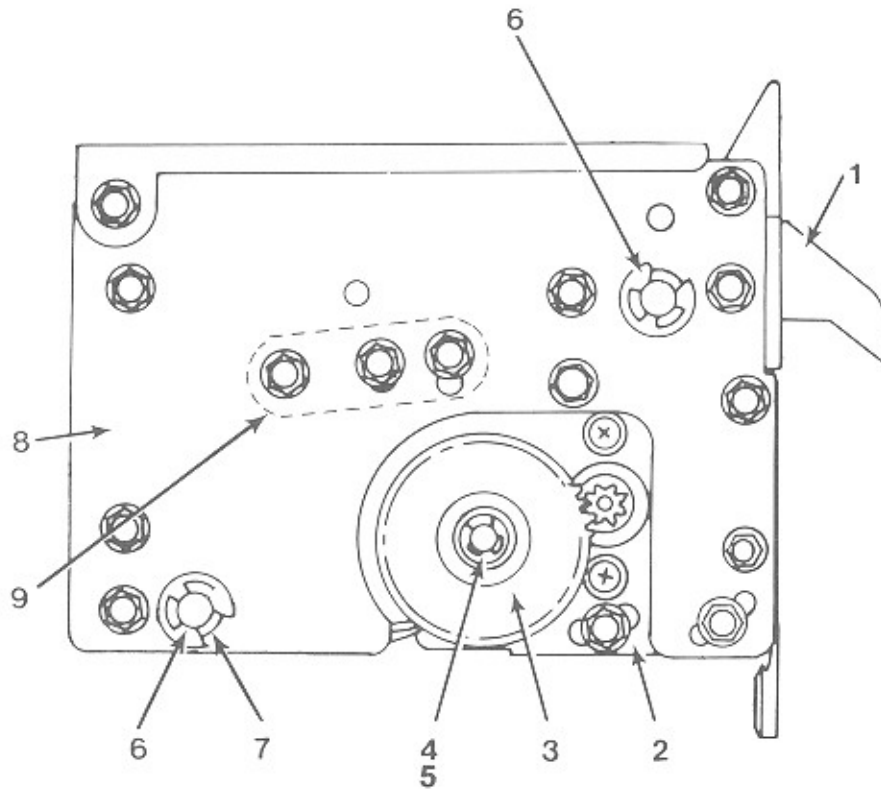


Figure 8--8. OBA-2 Transport Assembly (Sheet 3)

Ref.	Part No.	Description	Qty
	65056511	OBA-2 Transport Assembly	Ref.
1	65056801	• Inlet Track (see figure 8-8, sheet 2)	Ref.
2	35090701	• Bracket & Reduction Gear Assembly	1
	35090501	• • Bracket, Spacer And Pin Assembly	1
3	45058501	• • Reduction Gear	1
4	70120501	• • Washer	1
5	70143003	• • External Retaining Ring (3/16)	1
6	70143004	• External Retaining Ring	2
7	35097901	• Side Plate Assembly - LH	1
	45057702	• • Side Plate - LH	1
	70146004	• • Nylon Bearing	2
8	25194101	• • Take-up Shaft Bracket	1

Figure 8-9. OBA-2 Transport Roller and Shaft Assemblies

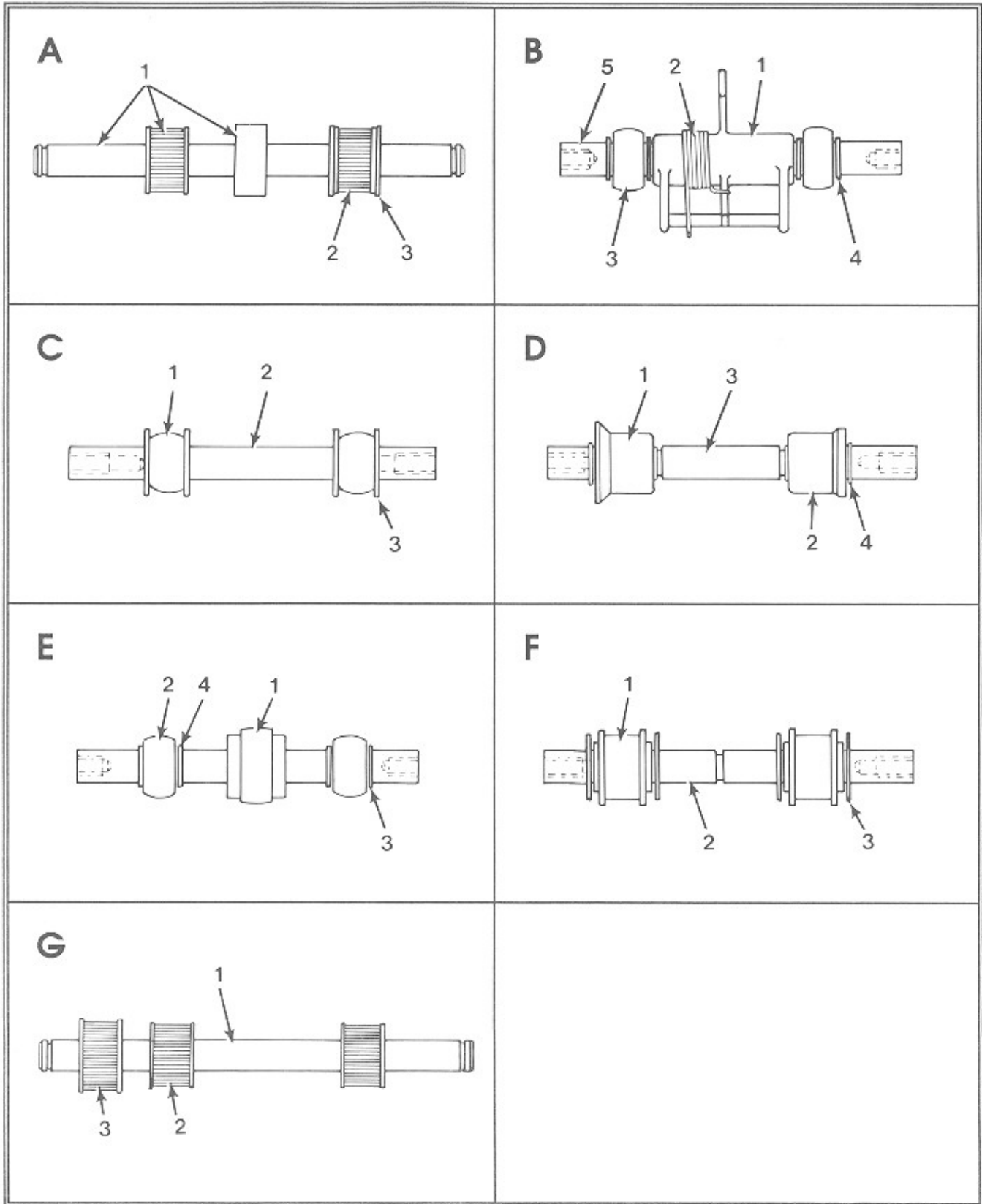


Figure 8-9. OBA—2 Transport Roller And Shaft Assemblies

Ref.	Part No.	Description	Qty
A	35080501	Lower Input Roller Assembly	
1	25227601	• Lower Input Shaft Assembly	1
2	25192902	• 22 Tooth Pulley	1
3	70143004	• External Retaining Ring	2
B	35097402	Anti-Cheat Lever Shaft Assembly	
1	35096402	• Anti-Cheat Lever	1
2	35081602	• Spring	1
3	25193301	• Crowned Roller	2
4	70143301	• External Retaining Ring	4
5	25193401	• Crowned Roller - Shaft	1
C	35097501	Crowned Roller Shaft Assembly	
1	25193301	• Crowned Roller	2
2	25193401	• Crowned Roller Shaft	1
3	70143004	• External Retaining Ring	4
D	35097601	Creasing Roller Shaft Assembly	
1	25193601	• Creasing Roller	1
2	25193602	• Small Creasing Roller	1
3	35080001	• Drum Pulley Shaft	1
4	70143301	• External Retaining Ring	2
E	35097801	Pressure and Crowned Roller Shaft Assembly	
1	25193901	• Pressure Roller (Upper)	1
2	25193301	• Crowned Roller	2
3	35082301	• Top Shaft	1
4	70143301	• External Retaining Ring	4
F	35098101	Take-up Roller Shaft Assembly	
1	35080301	• Take-up Roller	2
2	35080002	• Take-up Shaft	1
3	70143004	• External Retaining Ring	4
G	35080801	Drive Shaft Assembly	
1	25192801	• Drive Shaft	1
2	25192401	• 20 Tooth Pulley (Drive Belt)	2
3	25192902	• 22 Tooth Pulley	1

Figure 8-10. Lower Harness Assembly

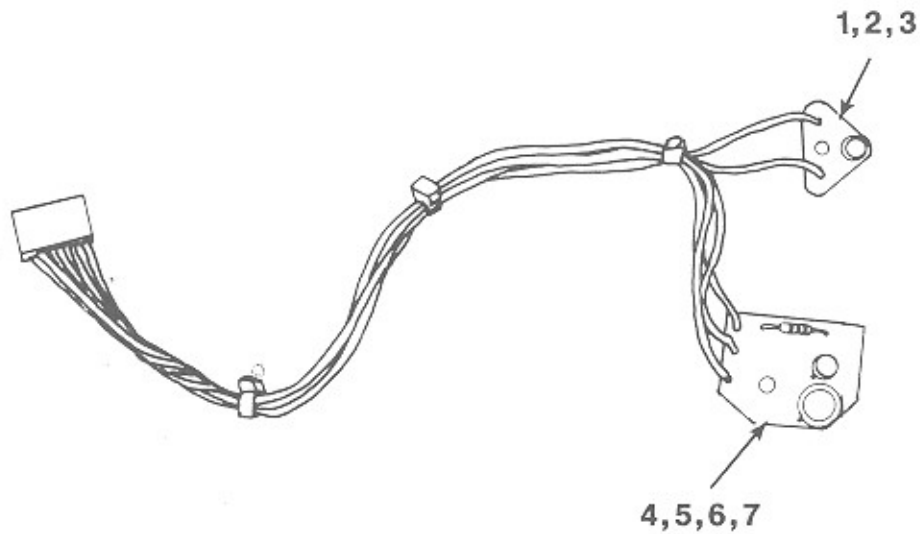


Figure 8-10. Lower Harness Assembly

Ref.	Part No.	Description	Qty
	65056511	OBA-2 Transport Assembly	Ref.
	45058202	• Lower Harness Assembly (see figure 8-8, sheet 2, item 8)	Ref.
1	21313002	• • Terminal Board - V1 Emitter	1
2	70035308	• • Light Emitting Diode	1
3	45063301	• • Diode Spacer	1
4	35079902	• • Reflective Sensor Board - V2	1
5	21339701	• • Photovoltaic Cell	1
6	79901151	• • Resistor - Carbon (1/4 W 5%) 150 Ohm	1
7	70035308	• • Light Emitting Diode	1

Figure 8-11. Harness & Holder Assembly

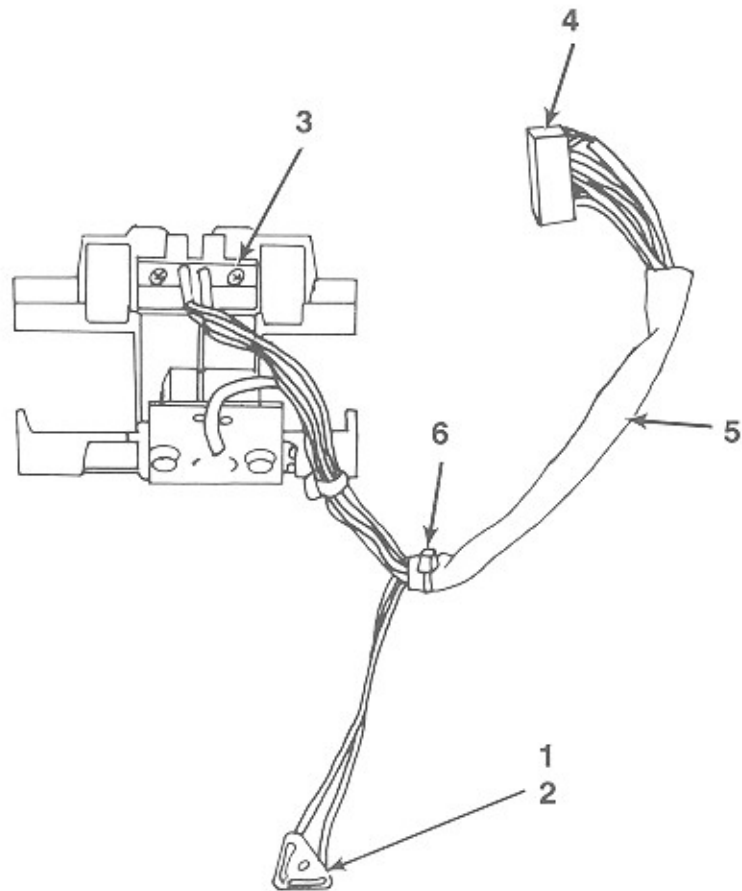
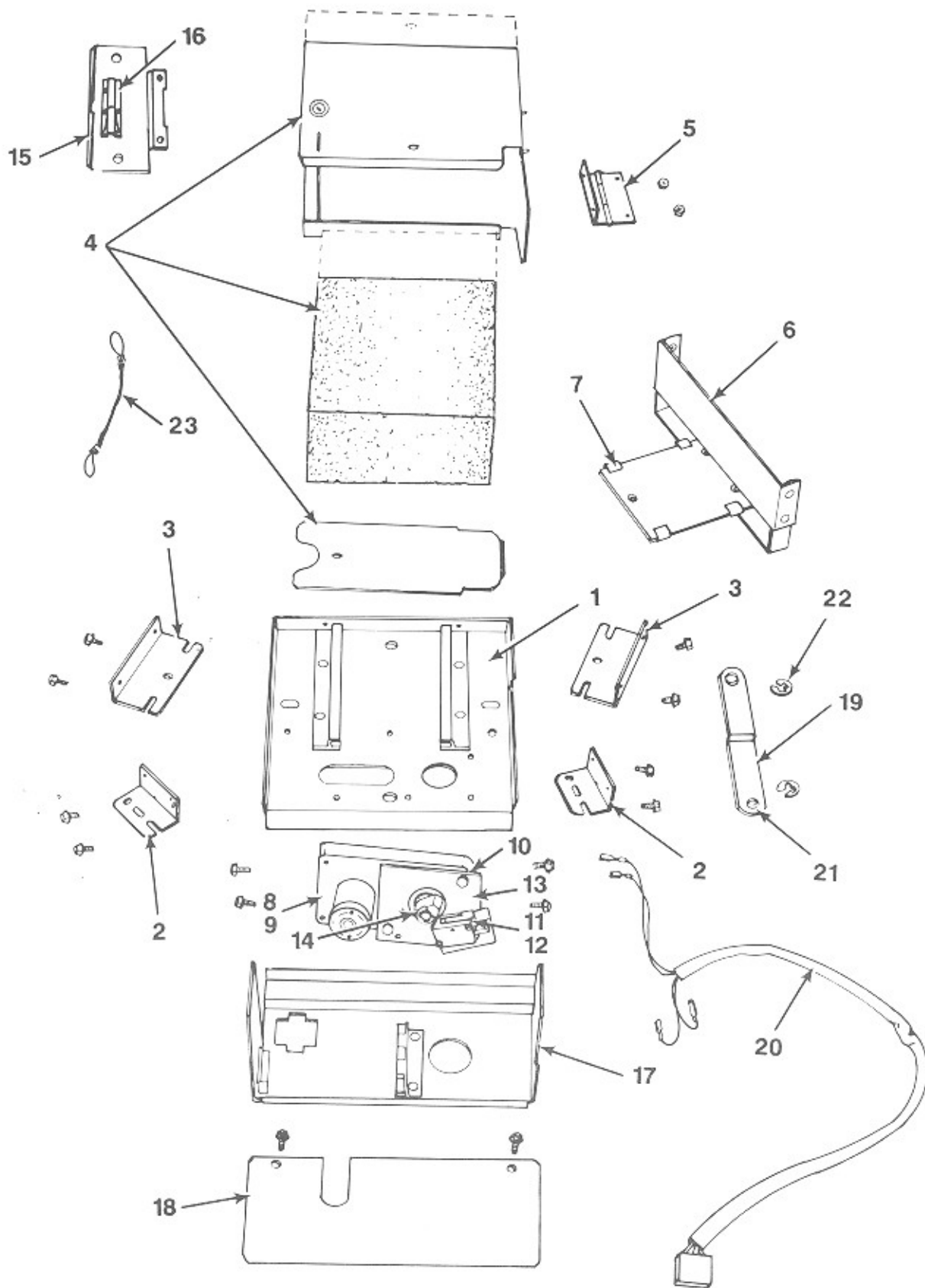


Figure 8-11. Harness & Holder Assembly

Ref.	Part No.	Description	Qty
	65056511	OBA-2 Transport Assembly	Ref.
	45059801	• Harness And Holder Assembly (see figure 8-8, sheet 1, item 9) ¹	Ref.
1	21313002	• • Terminal Board	1
2	70033204	• • Phototransistor	1
3	35082402	• • Switch - Optical	1
4	70075808	• • Terminal Housing (8 Circuit)	1
5	70219286	• • Insulated Tubing	1
6	70800107	• • Cable Tie	1

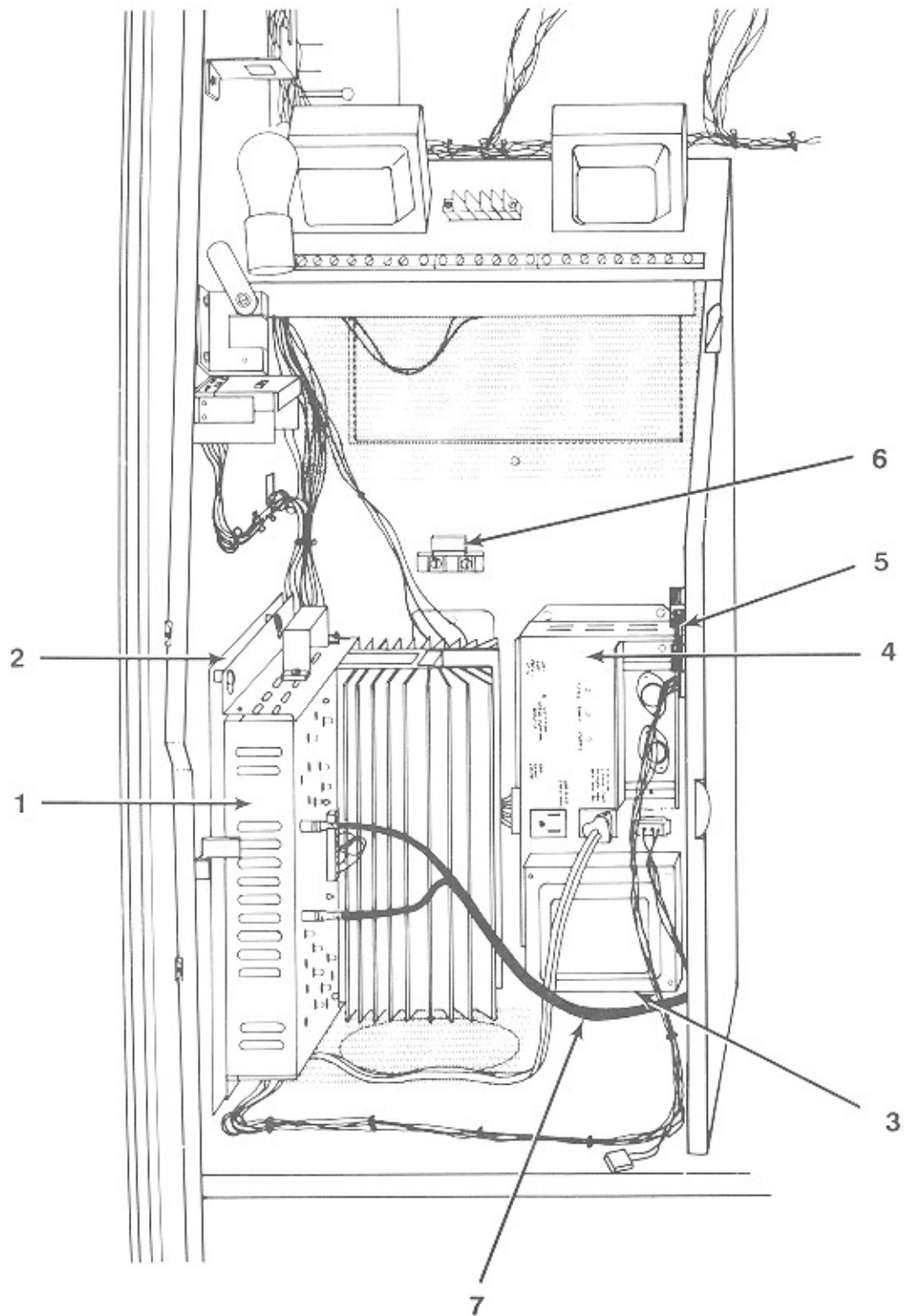
¹The magnetic head must be factory aligned to holder and insert assembly. If a new head is needed, order the harness and holder assembly (Part Number 45059801).

Figure 8-12. 500 Bill Stacker Assembly



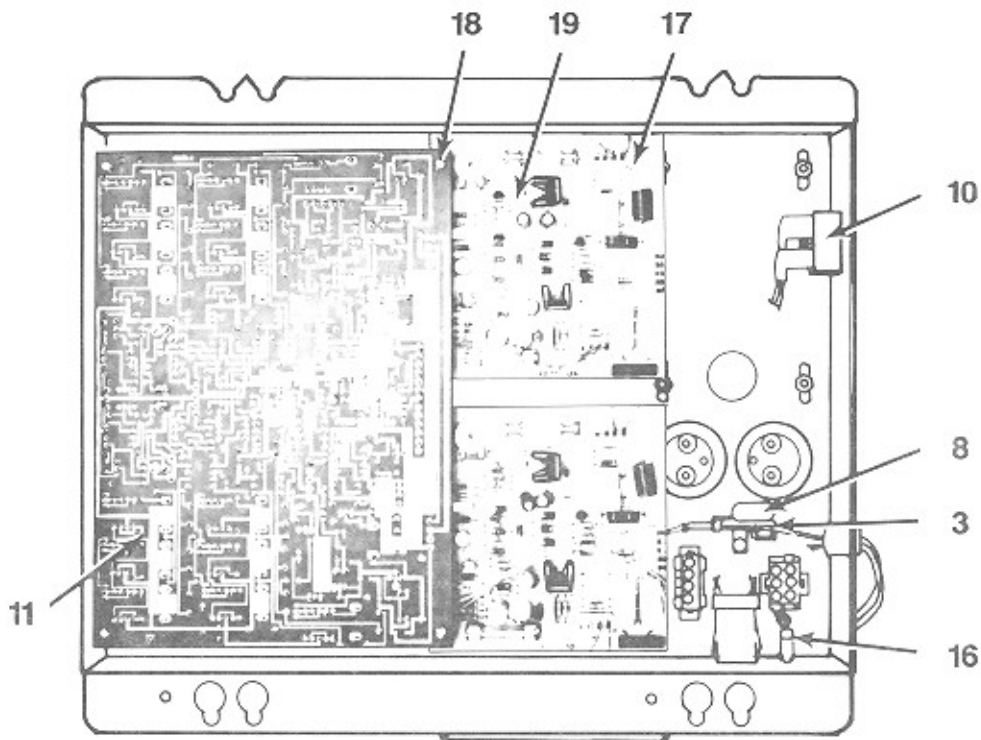
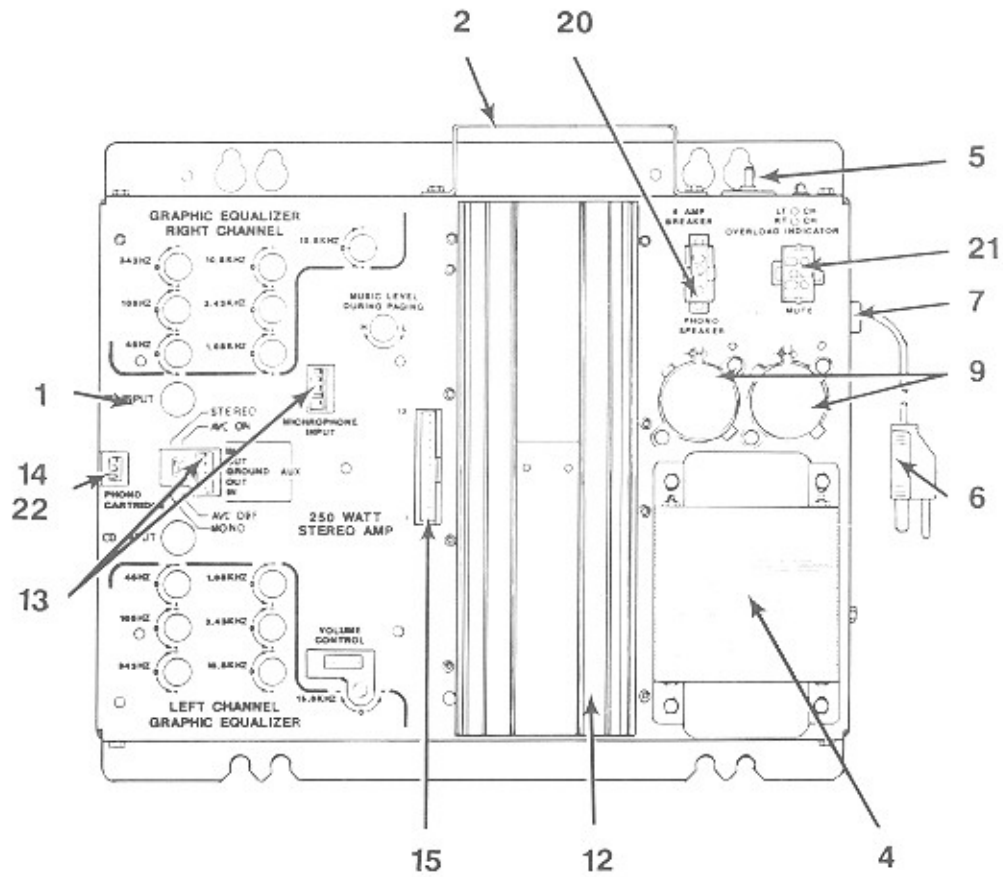
Ref.	Part No.	Description	Qty
	60971516	Bill Stacker Assembly (500 Bill)	Ref.
1	40712402	• Mounting Plate Assembly	1
2	21874603	• Bill Stacker Support	2
3	35084201	• Stacker Rear Support	2
4	40777008	• Cash Box Assembly (500 Bill)	1
	35039204	• • Pressure Plate	1
	21757901	• • Foam Block	1
	70162008	• • Cylinder Lock	1
	70166011	• • Lock Bolt	1
5	30783202	• Hinge - Cashbox	1
6	40712604	• Carriage Assembly	1
7	21757701	• Guide	4
8	35087801	• Motor & Switch Assembly	1
9	35087701	• • Motor Assembly With Crank	1
10	70121706	• • Spacer	2
	70143010	• • External Retaining Ring	1
	21894203	• • Switch and Plate Assembly	1
	25054801	• • • Insulator - Switch	1
	21083001	• • • Nut - Twin	1
11	21073102	• • • Switch	1
12	21082901	• • • Switch Actuator	1
13	21795801	• • • Switch Bracket	1
14	30781802	• • Switch Cam	1
15	30785602	• Bill Box Cover	1
16	35084301	• Lock Bracket	1
17	40712703	• • Rear Cover Assembly	1
18	30859002	• Cover Plate	1
19	21792403	• Carriage Link	1
20	45062308	• DC Bill Stacker Harness Assembly	1
	70075505	• • Connector Housing (5 Circuit)	1
	70075701	• • Keying Plug	1
	70219228	• • Insulated Tubing	1
	70075601	• • Contact	1
	70091304	• • Terminal Lug - Slip On	4
	70800107	• • Cable Tie	10
21	70146006	• Nyliner Bearing	2
22	70143004	• External Retaining Ring	2
23	21572605	• Fall Stop Cable	1
	20922502	• Spacer	2
	70093103	• Cable Clamp	1

Figure 8-13. CD-100B Amplifier Compartment



Ref.	Part No.	Description	Qty
	61046001	CD-100B Phonograph Assembly (60 Hz)	Ref.
	61046002	CD-100B Phonograph Assembly (50 Hz)	Ref.
1	61024902	• 250 Watt Stereo Amplifier (<i>see figure 8-14</i>)	1
2	40242601	• • Amplifier Mounting Bracket Assembly	1
3	20925601	• Main Power Supply Mounting Bracket	1
4	40770609	• Main Power Supply (<i>see figure 8-17</i>)	1
5	61052701	• Crossover Circuit Board Assembly	1
6	21955902	• Resistor Assembly	1
7	30934201	• • Cable Assembly - Audio	1

Figure 8-14. Stereo Amplifier Assembly



Ref.	Part No.	Description	Qty
	61024902	Stereo Amplifier Assembly (<i>see figure 8-13, item 1</i>)	Ref.
1	61024602	• Chassis Assembly	1
2	21488101	• Handle	1
3	21724102	• Terminal Strip	1
4	40737805	• Power Transformer	1
5	70078956	• Circuit Breaker	1
6	25218603	• 3 Conductor Cord and Plug	1
7	70232205	• Strain Relief	1
8	70021305	• Mylar Capacitor (.1 Mfd)	1
9	21823102	• Electrolytic Capacitor (10,000 Mfd)	2
10	21822501	• Bridge Rectifier	1
11	61023702	• Stereo Preamp. Assembly (<i>see schematic for parts list</i>)	1
12	40710303	• Heat Sink Detail (<i>see figure 8-15</i>)	1
13	70075505	• Connector Housing (5 Circuit)	2
14	70075503	• Connector Housing (3 Circuit)	1
15	21620703	• Amplifier Jumper Plug Assembly	1
16	21893401	• Speaker Overload Indicator (Left Channel)	1
	21893402	• Speaker Overload Indicator (Right Channel)	1
17	70500006	• Circuit Board Support	8
18	70500018	• Circuit Board Support	5
19	40710104	• Driver Circuit Board Assembly (<i>see power amplifier schematic for components list</i>)	2
20	30749003	• Cap Housing (4 Circuit)	1
21	30749004	• Cap Housing (6 Circuit)	1
	70097502	• • Contacts	6
22	21620704	• Shorting Plug	1
	70099201	• • Self - Stripping Terminal	1
	21943301	• • Capacitor Clamp	2
	70091706	• • Solder Lug	1
	70075505	• • Connector Housing (5 Circuit)	2
	70075502	• • Connector Housing (2 Circuit)	2
	70800101	• • Cable Tie	4
	70075601	• • Contact	9
	70091308	• • Terminal Lug - Slip On	2

Figure 8-15. Heat Sink Detail

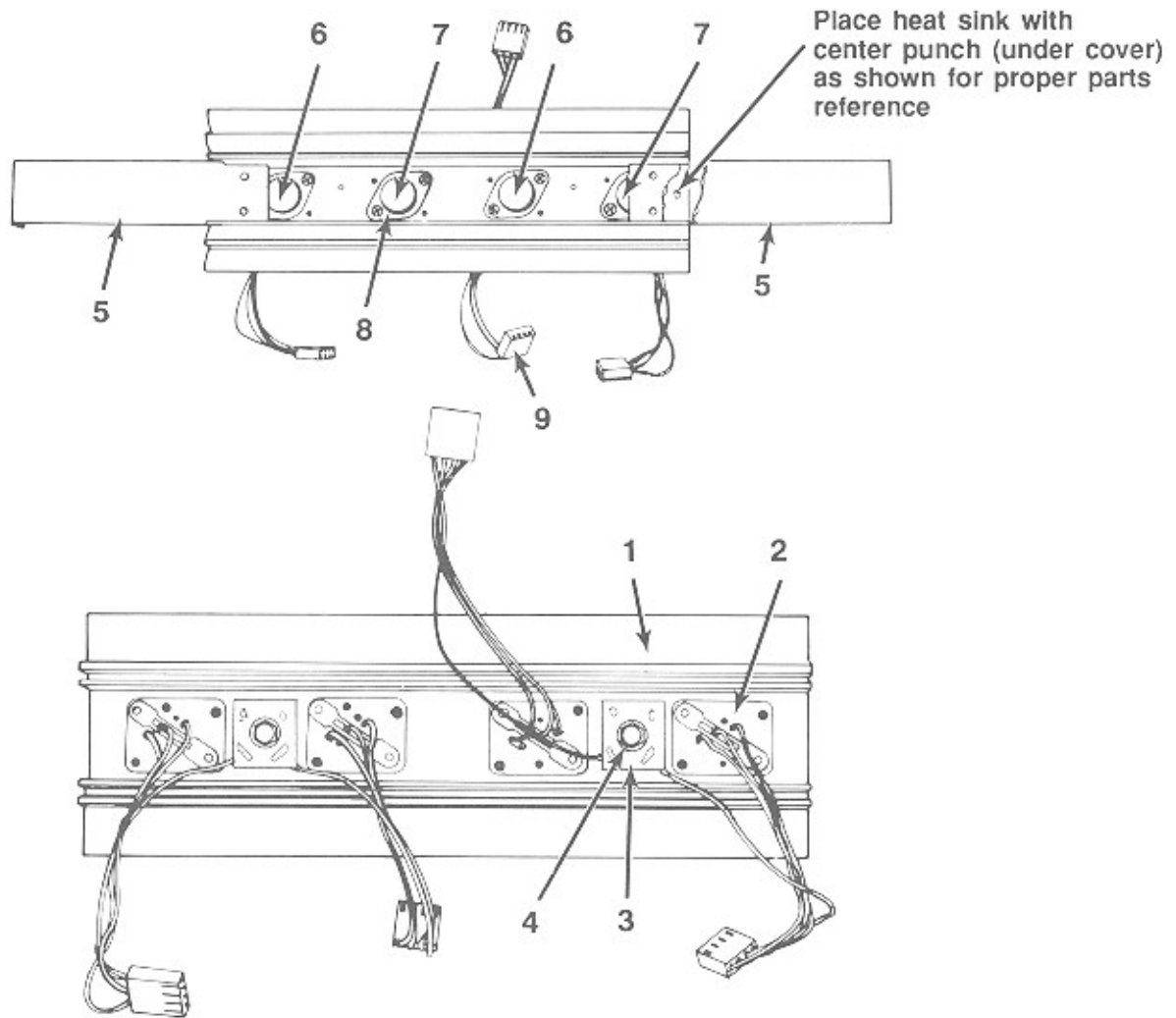


Figure 8-15. Heat Sink Detail

Ref.	Part No.	Description	Qty
1	40710303	• Heat Sink (see figure 8-14, item 12)	Ref.
2	21547301	• Power Transistor Socket	4
3	40837401	• Circuit Board Assembly - Bias Diode	2
4	21840201	• Compression Spring	2
5	21798001	• Cover	2
6	70030206	• Transistor (Darlington Amp, RCA- 2N6284) (NPN, Q101, 2 places)	2
7	70030207	• Transistor (Darlington Amp, RCA-2N6287) (PNP, Q102, 2 places)	2
8	21318902	• Precoated-Insulator	4
9	70075504	• Connector Housing	4

Figure 8-16. Output Transformer Assembly

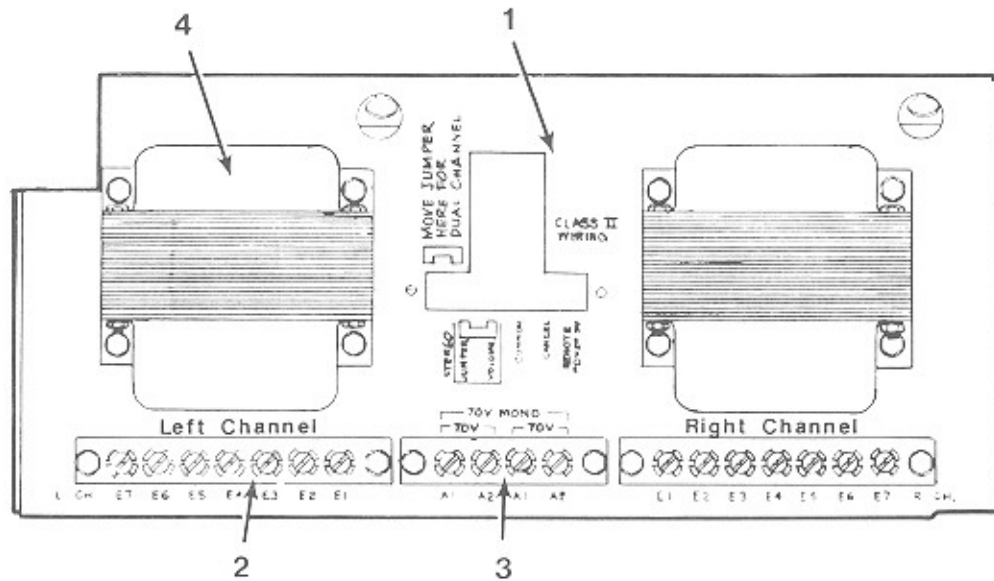
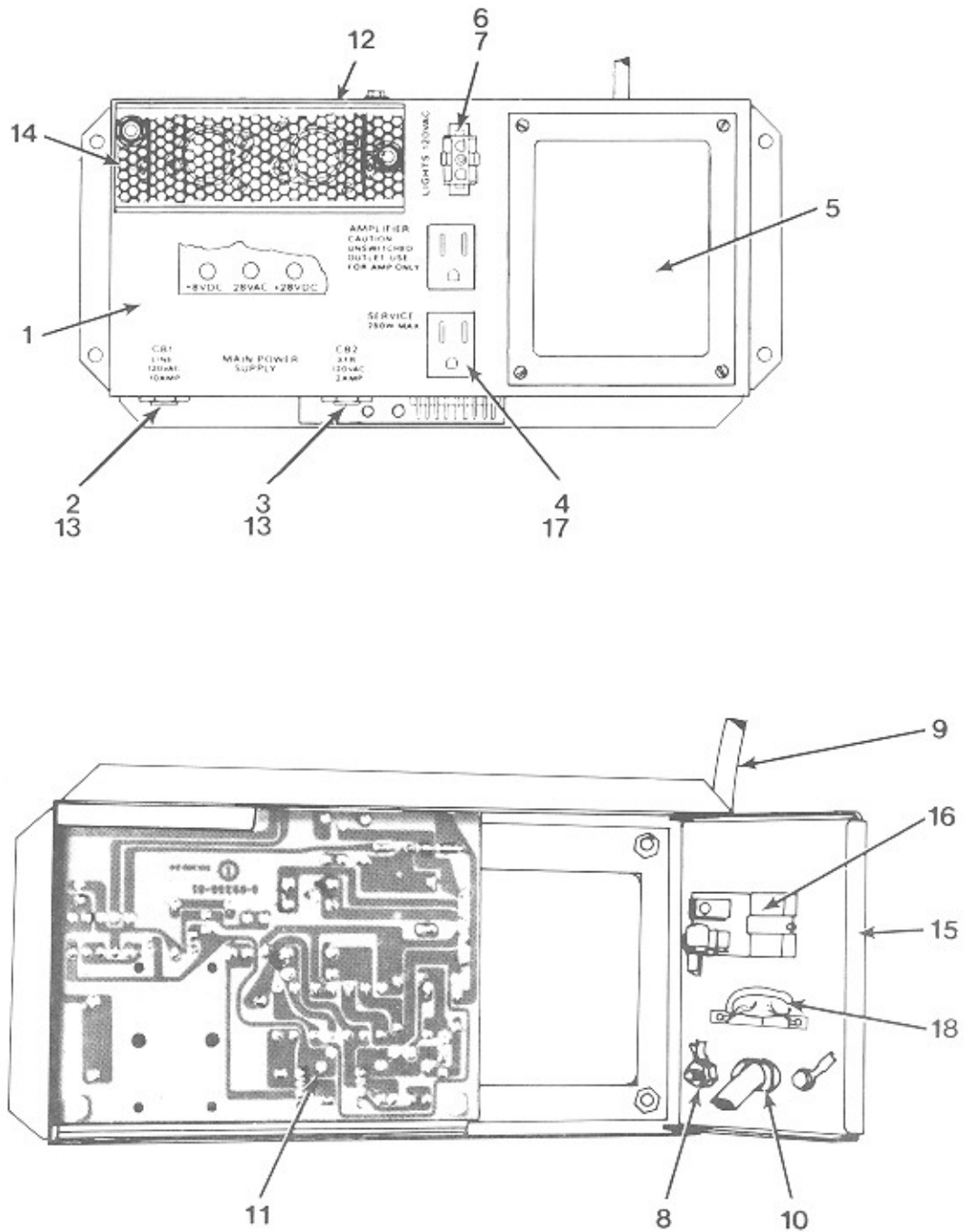


Figure 8-16. Output Transformer Assembly

Ref.	Part No.	Description	Qty
	40832101	Output Transformer Assembly (see figure 8-5, item 11) (See also figure 5-10, the Wiring Diagram)	
1	40832001	• Chassis With Lettering	1
2	30426707	• Terminal Strip	2
3	30426706	• Terminal Strip	1
4	40633502	• Output Transformer	2
5	21537401	• Label - Speaker Power	1

Figure 8-17. Main Power Supply

(120 Volt, 60 Hz Model)



Ref.	Part No.	Description	Qty
	40770610	Main Power Supply (120 V) Canada	Ref.
	46509214	Main Power Supply (100 V)	Ref.
	40770609	Main Power Supply (120 V) (see figure 8-13, item 4)	Ref.
	46509215	Main Power Supply (220 V)	Ref.
	46509216	Main Power Supply (240 V)	Ref.
1	40771905	• Chassis Assembly	1
2	70073613	• 10 Amp Circuit Breaker (120 V)	1
3	70073605	• 2 Amp Circuit Breaker (120 V)	1
4	21375901	• 3 Wire Convenience Outlet	2
5	40772001	• Transformer - Power (120 V)	1
	46509302	• • Transformer - Power (100/220/240 V)	1
	70075601	• • Post Contact (120 V)	6
	70075601	• • Post Contact (100/220/240 V)	5
	70097504	• • Contact	1
	70091308	• • Terminal Lug (120 V)	1
	70091308	• • Terminal Lug (100/220/240 V)	4
6	30749002	• Cap Housing	1
	70097504	• • Contact (100/220/240 V)	3
7	70097504	• Contact (120 V)	2
	70091308	• • Terminal Lug (120 V)	2
	70091308	• • Terminal Lug (100/220/240 V)	4
8	70091511	• Ring Terminal (120)	2
9	30834506	• Power Cord Assembly (120 V)	1
	36536501	• Power Cord Assembly (100/220 V/240 V)	1
10	70232104	• Strain Relief	1
11	60935704	• Circuit Board Assembly - Main Power Supply	1
12	40733102	• Heat Sink and Power Transistor Assembly	1
	30834301	• • Power Supply Heat Sink	1
	70030807	• • Transistor (Darlington) (2N6055) (Motorola, RCA)	2
	21318902	• • Insulator	2
	25158602	• • Power Transistor Socket	2
	70075504	• • Connector Housing	2
	70075601	• • Post Contact	6
	70075702	• • Keying Post	2
13	21408602	• Straight Receptacle (120 V)	4
	21408602	• Straight Receptacle (100/220/240 V)	8
	70073608	• Breaker 100/220/240 V (5A) (Not Shown)	2
	70073610	• Breaker 100/220/240 V (7A) (Not Shown)	1
14	21828101	• Heat Sink Cover	1
15	30867301	• Switch Panel	1
	30867302	• Switch Panel (Canada)	1
	21870501	• Base - Switch Cover (Canada)	1
	21870601	• Switch Cover (Canada)	1
	25077201	• Toggle Switch - SPST (Canada)	1
	21724101	• Terminal Strip (100/220/240 V)	1
16	30785701	• Rocker Switch - SPST (120 V)	1
	30785702	• Rocker Switch - SPST (100/220/240 V)	1
17	70096701	• Insulated Faston (120 V)	1
	70096701	• Insulated (220/240 V)	1
	70099201	• Self Stripping Terminal	7
	70099101	• Self Stripping Terminal	1
	70075508	• Connector Housing	1
	70075702	• Keying Plug	1
	70075601	• Post Contact (120 V)	4
	70075601	• Post Contact (220/240 V)	5
18	21943801	• MOV Assembly (100/120 V)	1
	21943701	• MOV Assembly (220/240 V)	1

Figure 8-18. Central Control Computer

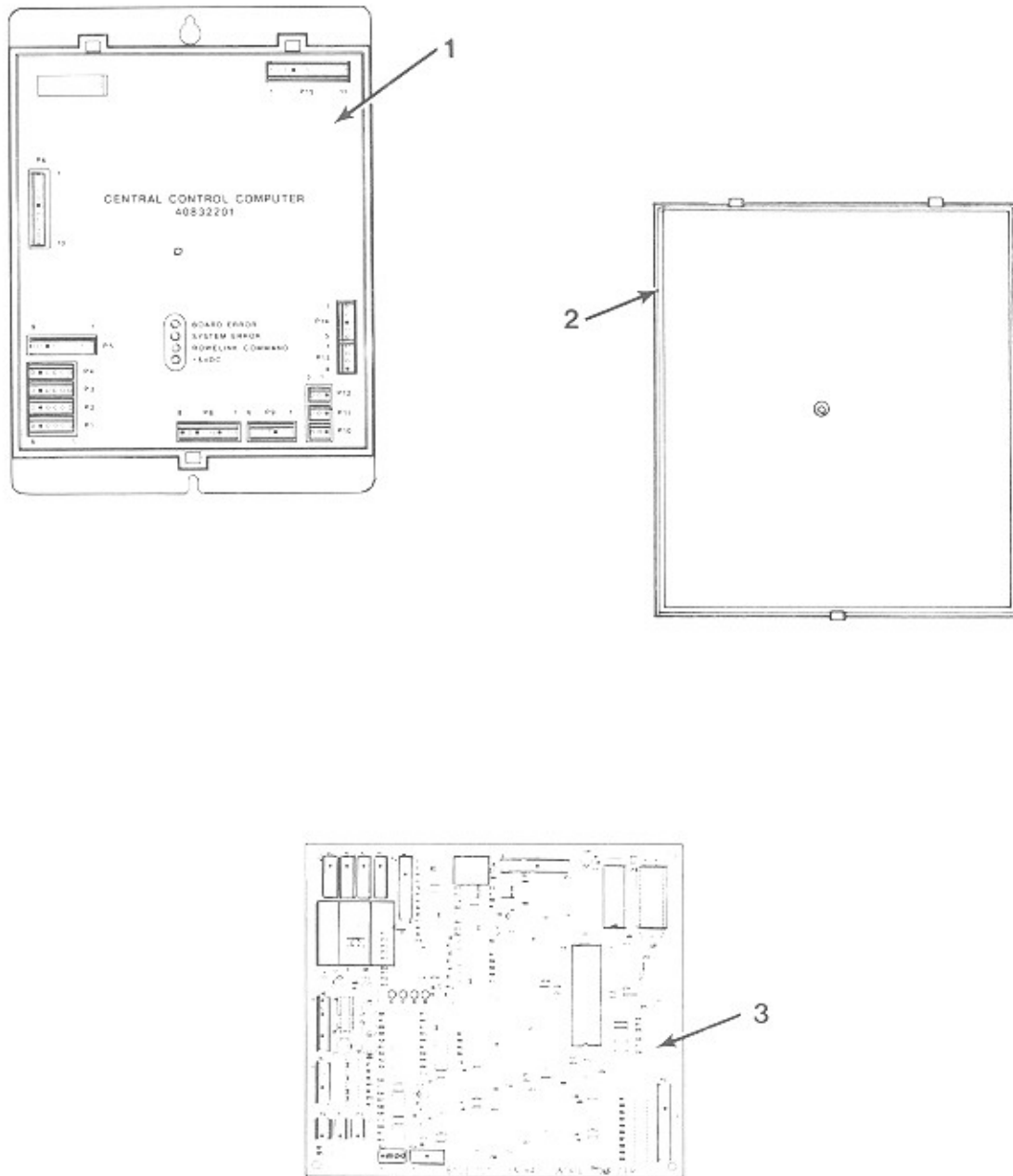
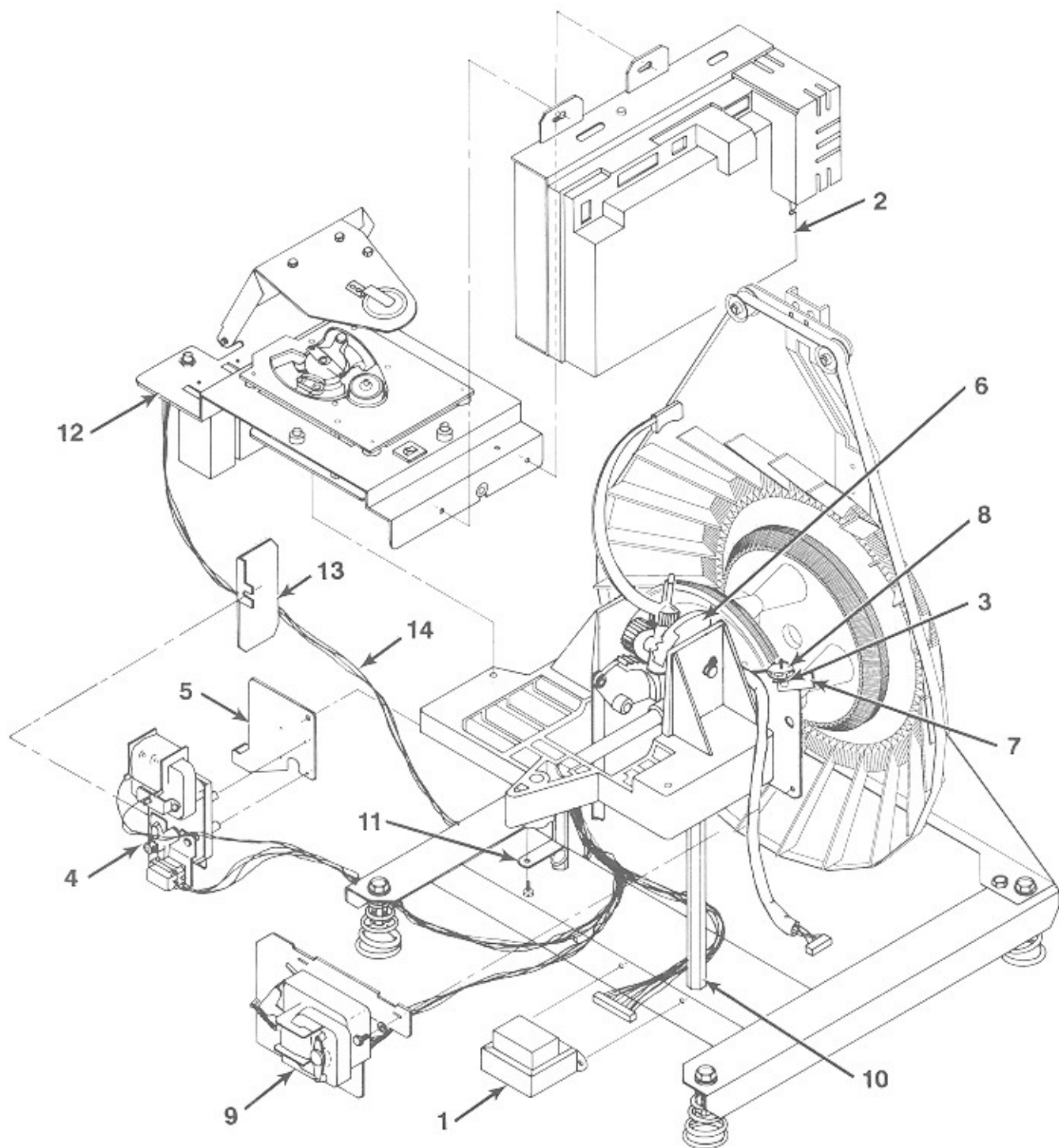


Figure 8-18. Central Control Computer Assembly

Ref.	Part No.	Description	Qty
	40832201	Central Control Computer Assembly (see figure 8-5, item 16)	Ref.
1	61031201	• Central Control Computer Cover	1
2	61031301	• Central Control Computer Base	1
3	61031101	• Central Computer Circuit Board Assembly (see figure 5-12 for the schematic and components list)	1

Figure 8-19. Mechanism Assembly

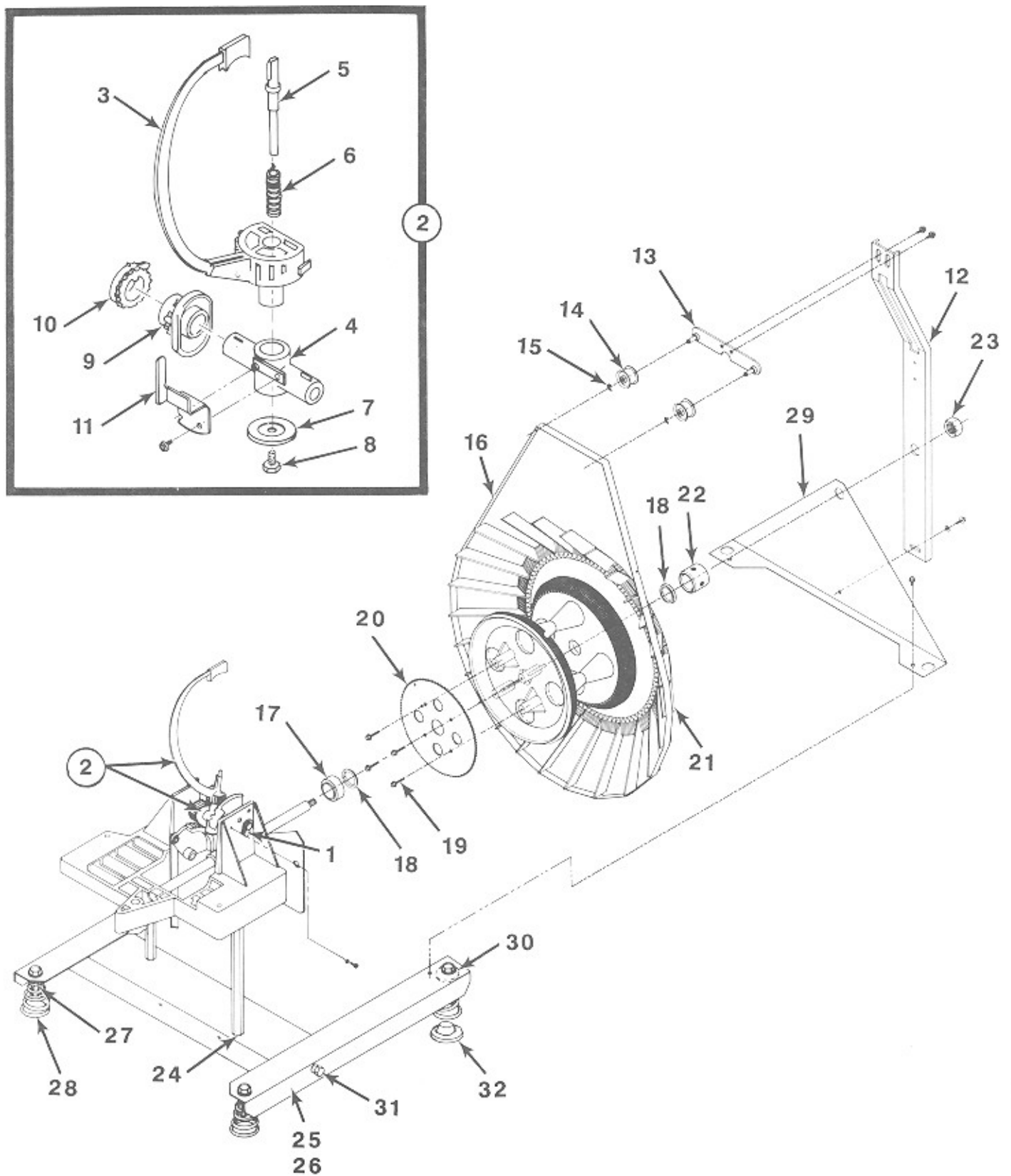
Sheet 1



Ref.	Part No.	Description	Qty
	61033001	Mechanism Assembly (<i>see figure 8-5, item 1</i>) (60 Hz)	Ref.
1	40830401	• CD Player Transformer	1
2	61030703	• Mechanism Control & Decoder Assembly (<i>see figure 8-19, sheet 3</i>)	1
3	30906801	• Optical Switch Assembly	1
	30794501	• • Mounting Bracket	1
	30905901	• • • Optical Switch and Connector Assembly	1
	40803701	• • • Optical Switch	1
	70075565	• • • Connector Housing (Red)	1
	70075702	• • • Keying Plug	1
	70075601	• • • Contact Post	4
	70219201	• • • Insulated Tubing	1
	70134111	• • • Screw - Special	2
	70800101	• • Cable Tie	2
4	40720802	• Cam Switch & Motor Assembly (<i>see figure 8-21</i>)	1
5	30790701	• Motor Mounting Plate	1
6	30790603	• Rotator Assembly (RH)	1
7	21818601	• Adjusting Bracket Assembly	1
8	21818401	• Adjusting Knob	1
9	40721901	• Sprag Assembly (<i>see figure 8-21</i>)	1
10	21812502	• Mechanism Support	2
11	70093401	• Cable Clamp (17/32)	1
12	Ref.	• Base and CD Player (<i>see figure 8-19, sheet 5</i>)	1
13	30946901	• Oil Spray Shield	1
14	40830002	• Mechanism Harness	1
	70075517	• • Connector Housing (17 Circuit)	1
	70075601	• • Contact	11
	70075701	• • Keying Plug	1
	21408602	• • Straight Receptacle	1
	70091308	• • Terminal Lug - Slip On	3
	70091512	• • Terminal Lug - Slip On	1
	70091314	• • Terminal Lug - Slip On	5
	70091306	• • Terminal Lug - Slip On	2
	70091302	• • Terminal Lug - Slip	4
	30930501	• Harness - CDM (Player)	1
	70075505	• • Connector Housing (5 Circuit)	1
	70075601	• • Contact	4
	70075701	• • Keying Plug	1
	70077803	• • Connector - Insulation Displacement	1
	70800101	• • Cable Tie	2
	30930601	• • Harness - Cam (Power)	1
	70077803	• • Connector - Insulation Displacement	2
	70800101	• • Cable Tie	2
	30930701	• • Harness - CDM (Signal)	1
	70077810	• • Connector - Insulation Displacement	2
	70800101	• • Cable Tie	2

Figure 8-19. Mechanism Assembly

Sheet 2

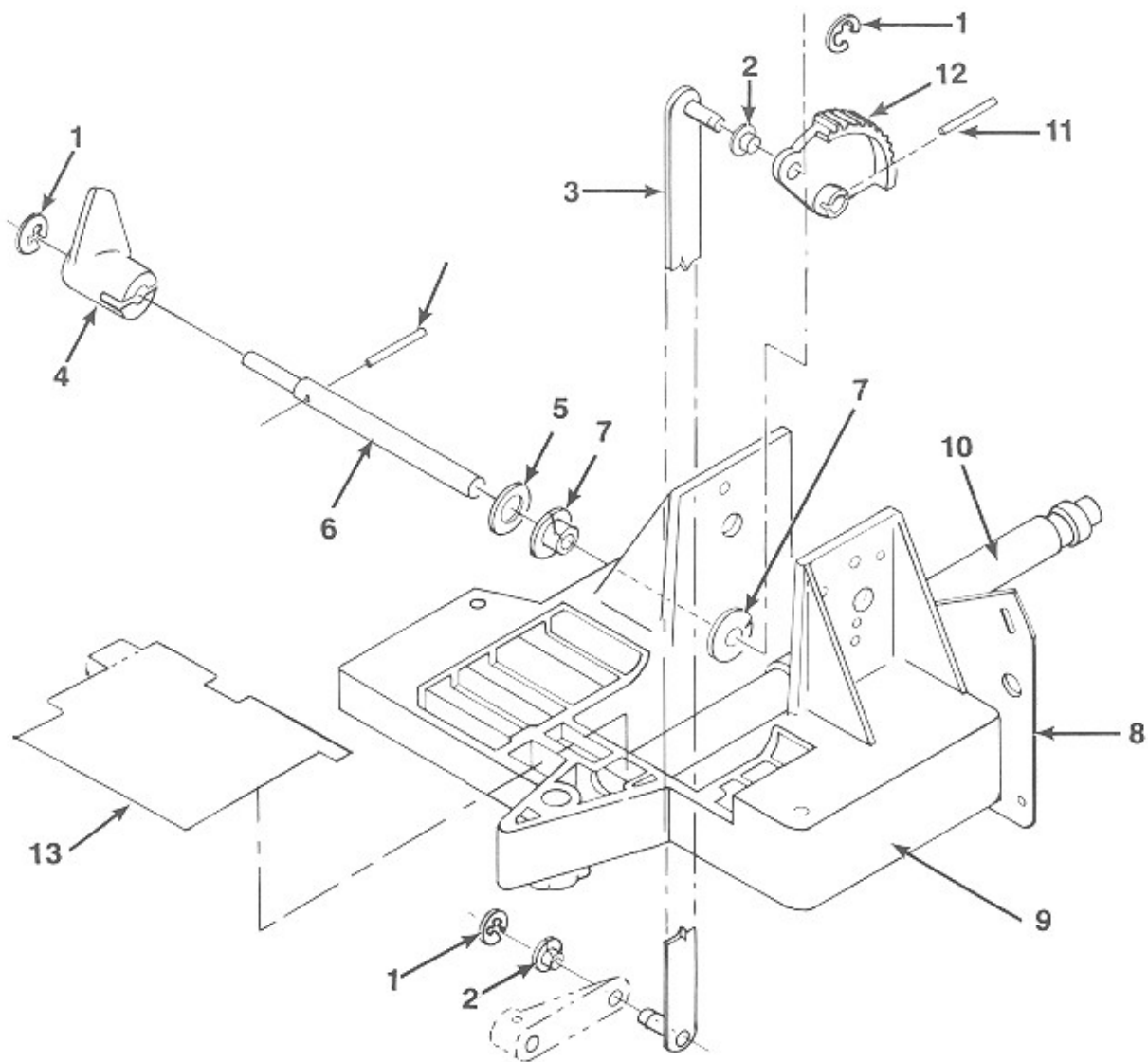


Ref.	Part No.	Description	Qty
	61033001	Mechanism Assembly	Ref.
1	21079202	• Trunnion Pin	2
	70120010	• Washer	2
2	40720703	• Gripper Bow and Trunnion Assembly	1
3	30519704	• Gripper Bow and Hub Assembly	1
4	30791002	• Trunnion	1
5	21080804	• Inner Shoe Assembly	1
6	21081101	• Compression Spring	1
7	21811501	• Cam Follower	1
8	21811701	• Lock Screw	1
9	40720401	• Cam Gear	1
10	40720601	• Trunnion Gear	1
11	30952601	• Stop - Gripper Bow	1
12	40721303	• Gripper Bow Guide Assembly	1
13	21089401	• Roller Bracket Assembly	1
14	20384301	• Belt - Roller	2
15	70143003	• Retaining Ring	2
16	21813802	• Belt	1
17	25156906	• Shoulder Washer	1
18	70146001	• Nyliner Bearing	2
19	70134128	• Special Screw (#8 X 5/8 Hi-Low)	4
20	30790401	• Magazine Gear	1
21	61045801	• Magazine Assembly	1
22	21812601	• Collar	1
23	70130109	• Jam Nut (9/16 X 18)	1
24	21101301	• Lock Nut (Under Supports)	2
25	30791402	• Mechanism Support and Spring Assembly	1
26	30791502	• Mechanism Support Assembly	1
27	20627202	• Spring Support (Upper)	4
28	20612804	• Mechanism Mounting Spring	4
29	61052901	• Magazine Support	1
30	70121517	• Spacer	2
31	70121738	• Spacer	2
32	21153701	• Spring Support	4
	20554502	• Cable Clip	1

Ref.	Part No.	Description	Qty
	61030703	Mechanism Control and Decoder Assembly <i>(see figure 8-19, sheet 1)</i>	1
1	61030603	• Mechanism Control Circuit Board Assembly <i>(see schematic for parts list)</i>	1
2	21771016	• Insulating Pad	2
3	21771113	• Insulating Base	2
4	40830201	• Decoder Base	1
5	61032703	• Decoder Cover	1
6	40830302	• Mechanism Control Cover	1
7	61032601	• Decoder Circuit Board Assembly <i>(no parts list or schematic available)</i>	1
	25142297	• • Jumper Assembly	2
	21944701	• Label - CD Player	1

Figure 8-19. Mechanism Assembly

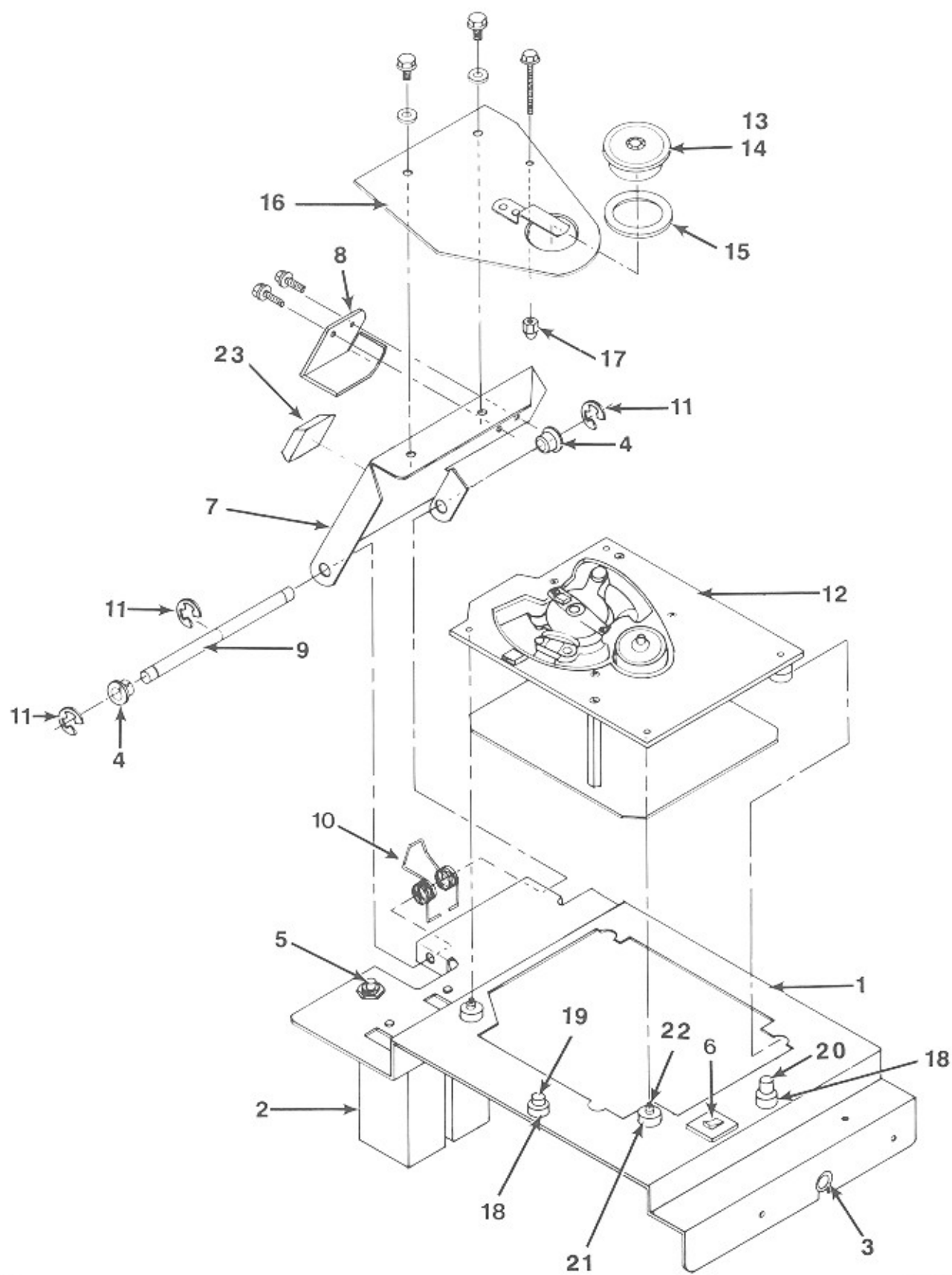
Sheet 4



Ref.	Part No.	Description	Qty
	40723403	Base and Motor Assembly	Ref.
1	70143004	• Retaining Ring	3
2	70146004	• Bearing	2
3	21810201	• Transfer Link Assembly	1
4	30930002	• Hold Down Cam	1
5	70122533	• Bowed Washer	1
6	21813202	• Cam Drive Shaft	1
7	70146005	• Bearing	2
8	40721801	• Intermediate Mounting Plate	1
9	60870702	• Mechanism Base	1
10	30791302	• Magazine Support Shaft	1
11	70113003	• Roll Pin	2
12	40720502	• Sector Gear (Plastic)	1
13	21952801	• CD Board Guard	1

Figure 8-19. Mechanism Assembly

Sheet 5



Ref.	Part No.	Description	Qty
	61033001	Mechanism Assembly	Ref.
1	61032901	• Mounting Plate	1
2	30933301	• Counter & Plug Assembly	1
	21538302	• • Counter - Money	1
	21441802	• • Electric Counter	1
	70075505	• • Connector Housing (5 Pin)	1
	70075601	• • Post Contact	4
	70075701	• • Keying Plug	1
3	70233202	• Snap Bushing (Split)	1
4	70146008	• Nyliner Bearing	2
5	21581801	• Pushbutton Switch (Momentary)	1
6	70073604	• Circuit Breaker (1 Amp)	1
7	40830101	• Hold Down Bracket	1
8	21942102	• Cam Bracket	1
9	21534709	• Pivot Pin	1
10	30941001	• Hold Down Spring	1
11	70143004	• External Retaining Ring	3
12	30933702	• Player - CDM-3 With Guide Pin	1
	21954601	• • Guide Pin	1
	30933702	• • Player - CDM-3	1
13	26711502	• Hub Assembly	1
14	30930401	• • Magnetic Hub Without Washer	1
15	21954901	• • Traction Washer	1
16	30930201	• Hold Down Assembly	1
17	21814002	• Acorn Nut (#6-32)	1
18	21813901	• Grommet	2
19	21941401	• Rest Rivet - Short (Front)	1
20	21941402	• Rest Rivet - Long (Side)	1
21	21940101	• Grommet	4
22	21940201	• Spacer	4
23	21377801	• Bumper	1

Figure 8-20. Sprag Assembly

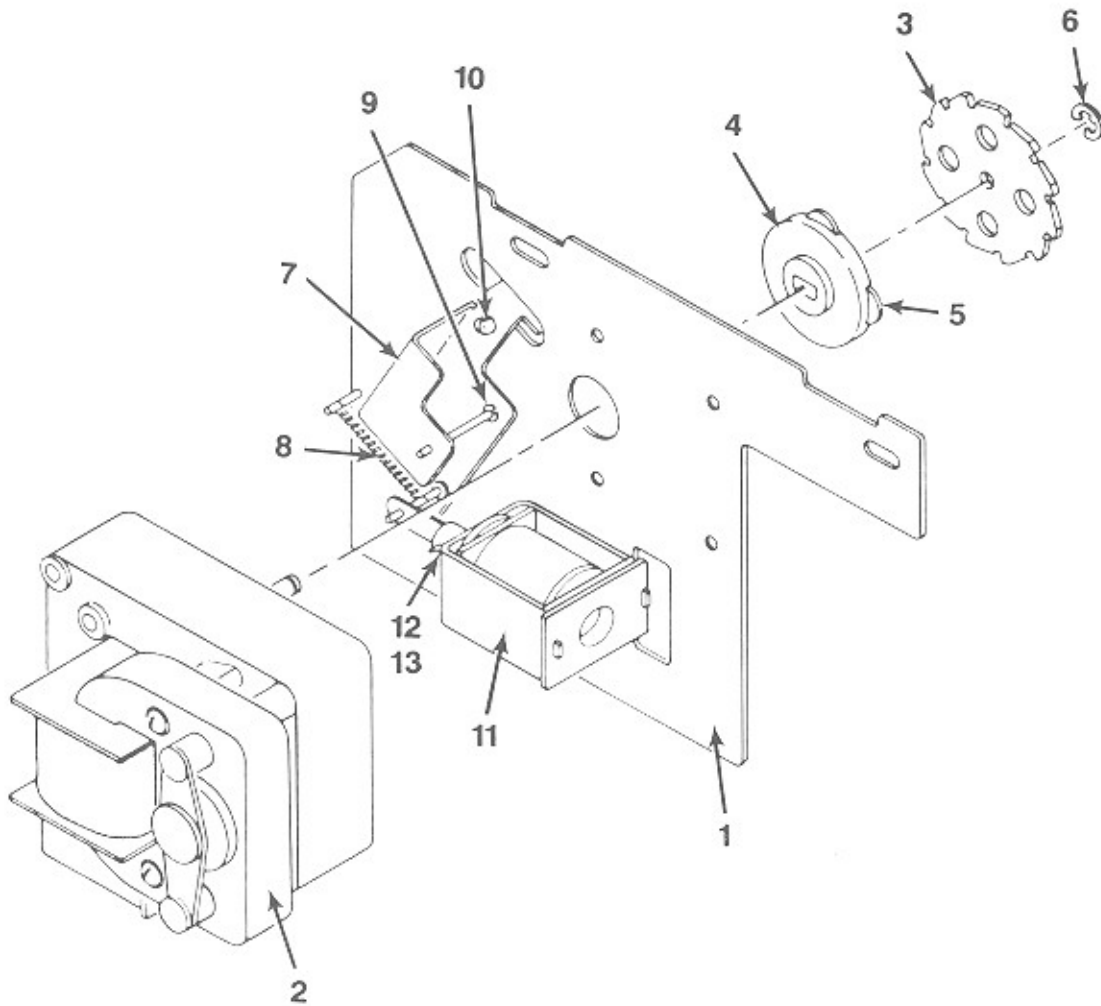


Figure 8-20. Sprag Assembly

Ref.	Part No.	Description	Qty
	40721901	Sprag Assembly (see figure 8-19, sheet 2, item 12)	Ref.
1	30793901	• Sprag Plate Assembly	1
2	40722701	• Magazine Motor	1
3	40722301	• Sprag Wheel	1
4	30793301	• Sprag Wheel Hub	1
5	21816103	• Stem Bushing (Rubber)	4
6	70143003	• Retaining Ring	1
7	21816001	• Sprag Lever Assembly	1
8	21256201	• Tension Spring	1
9	70143005	• Retaining Ring	1
10	25155901	• Split Stem Bumper	2
11	21150510	• Solenoid Assembly	1
12	21085701	• Plunger Assembly	1
13	21084902	• Plunger Stop	1

Figure 8-21. Cam Switch and Motor Assembly

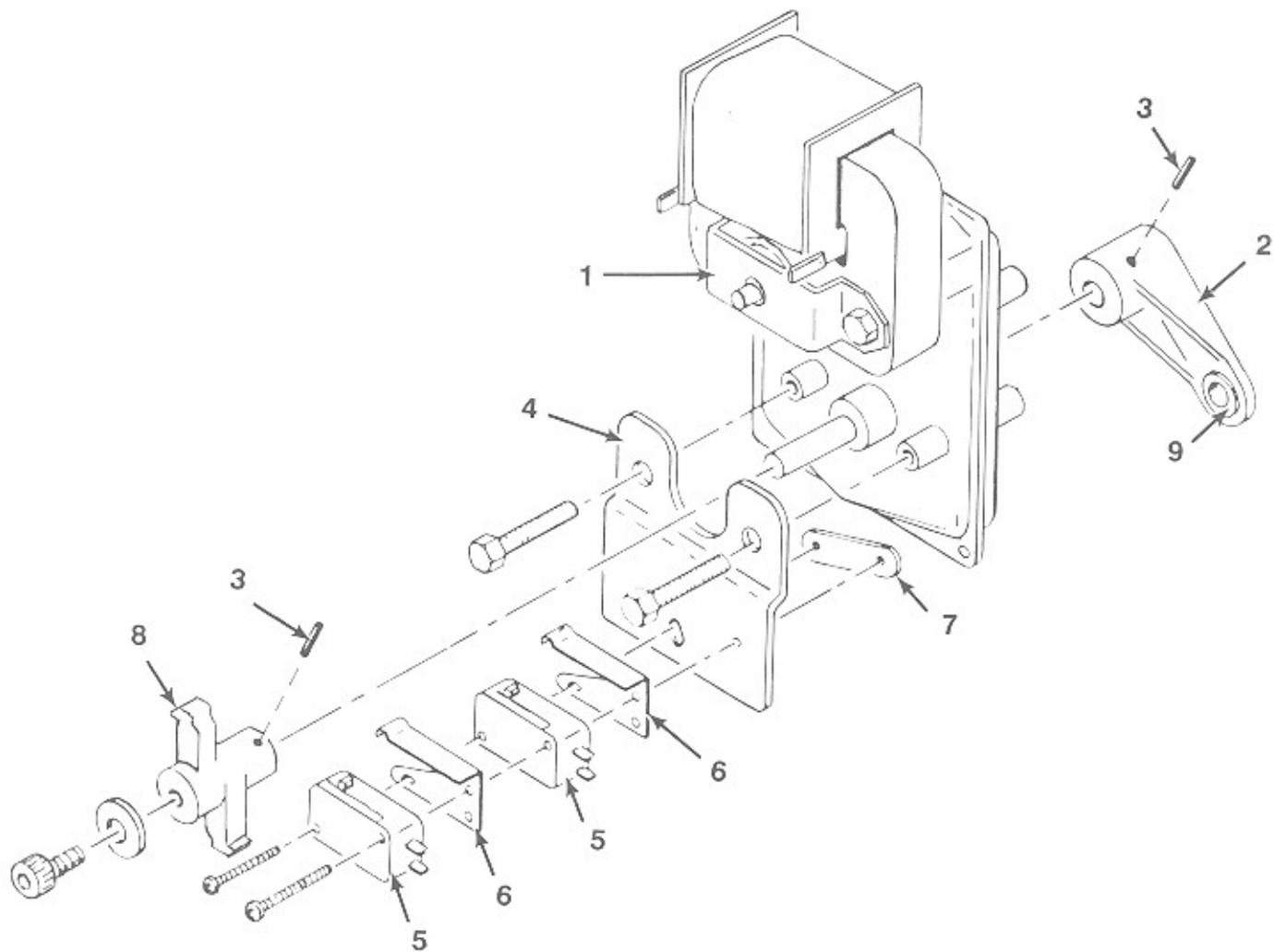


Figure 8-21. Cam Switch and Motor Assembly

Ref.	Part No.	Description	Qty
	40720802	Cam Switch and Motor Assembly (see figure 8-19, sheet 1, item 4)	Ref.
1	40720901	• Cam Motor	1
2	21810401	• Trunnion Crank	1
3	70113116	• Roll Pin	2
4	30790901	• Switch Plate	1
5	21073101	• Switch	2
6	21082901	• Switch Actuator	2
7	21083001	• Twin Nut	1
8	30793402	• Switch Cam	1
9	70146004	• Bearing	1

Table 8-1. Accessory Equipment

Part No.	Description	Function
26704401	Phono paging system With tabletop microphone	Paging system not affected by A.V.C. All plug-in unit, complete with microphone and 50 foot microphone cable.
26704402	Phonograph Paging System With hand-held microphone	Paging system not affected by A.V.C. All plug-in unit, complete with microphone and 50 foot microphone cable.
26694703	Amplifier Accessory Kit (Note: This kit will work with all 607925XX and 610237XX preamplifiers)	Provides access to auxiliary inputs and outputs of the preamplifier. Inputs will accept signals from most background music sources, such as tape players and AM/FM radios. Outputs are available to drive slave amplifiers before or after volume control.
21639701	Background Music Kit	Allows the phonograph to play Autoplay and customer selected music at different levels. Music can be played at different volumes in two different rooms or music can be switched to different rooms during either Autoplay or customer selections.
30632201	Remote volume and cancel control	The remote stereo volume control includes a cancel button. This kit does not include cable. A 3-conductor cable is required.
60898004	Remote volume power switch and cancel control	In addition to volume and cancel functions, the phonograph can be turned OFF and ON from a remote position. The CD currently playing is automatically canceled when the phonograph is turned OFF. The amplifier remains ON so that paging is possible. For domestic 120 volt phonographs only. Cable is not included. A four conductor cable is required.
30632209	Dual remote volume control	Controls volume of each channel separately. Does not include cable. A 4-conductor cable is required.
20819907	Remote volume and cancel control cable	This 3-conductor 50 foot cable connects a remote volume control to a phonograph.
20819908	Remote volume and cancel control cable	This 4-conductor 50 foot cable connects a remote volume control to a phonograph.
66505901	Service Kit	Includes central computer, digital display, power supply board, optical switch, power supply heat sink, blank titles, micro switches, peanut lamps, and fuses.
66505902	Service Kit	This kit includes: Mechanism controller and decoder assembly, CD player with mounting accessories.

Part No.	Description	Function
26711401	Amplifier Adapter Harness	Allows a 130 watt amplifier to be connected to a CD-100B as a replacement amplifier (the total amplifier output will be limited to 130 watts in this configuration).
26699503	Security Bar Kit	Heavy steel bar locks in place over cash box door. A padlock is required (not supplied by Rowe).
26711201 26712901	Pewter Touch-Up Paint Brown Metallic Touch-Up Paint	
21945601	Printer Interface Kit	Allows you to connect a serial RS-232 printer to a CD-100B. The printer must be at least a 40-column printer (Citizen Model iDP-560 RSL is recommended).
	Keyboard Cover	Provides a flexible shield that protects the selection keyboard (POPULAR, RESET, 0-9, <, >) from water and other fluid spills.
21957501	LaserStar IR (Infra-Red) Remote Control Kit	Wireless remote control of: volume, cancel, selections, and pause. Volume of each channel can be controlled separately, or both channels can be controlled at once.

Parts Included In The Handy Case

(Refer to Figure 8-5)

21730516	• Accessories Bag Assembly	1
21827201	•• Bag - Zip Lock	1
70097501	••• Contact - Univ Conn (Pin)	6
70097502	••• Contact - Univ Conn (Socket)	6
70075601	••• Contact - Post	10
70091012	••• Terminal Lug - Spade	10
70072002	••• Fuse Cartridge (8 amp.)	2
70072106	••• Fuse Cartridge (5 amp.)	2
26676802	••• Quality Card - Phonograph	1
21822617	• Manual - Service (CD-100B, Volume 1)	1
21822618	• Manual - Service (CD-100B, Volume 2)	1
21888604	• Programming Reference Guide	1
21957001	• Routine Service Guide	1
30931304	• Alternate Price Card	1
61031402	• Universal Price Sheet	1
30935903	• Blank Title Strip With Numbers	15
30940601	• Title Page Filler	8
30935904	• Blank Title Strip (Without Numbers)	15