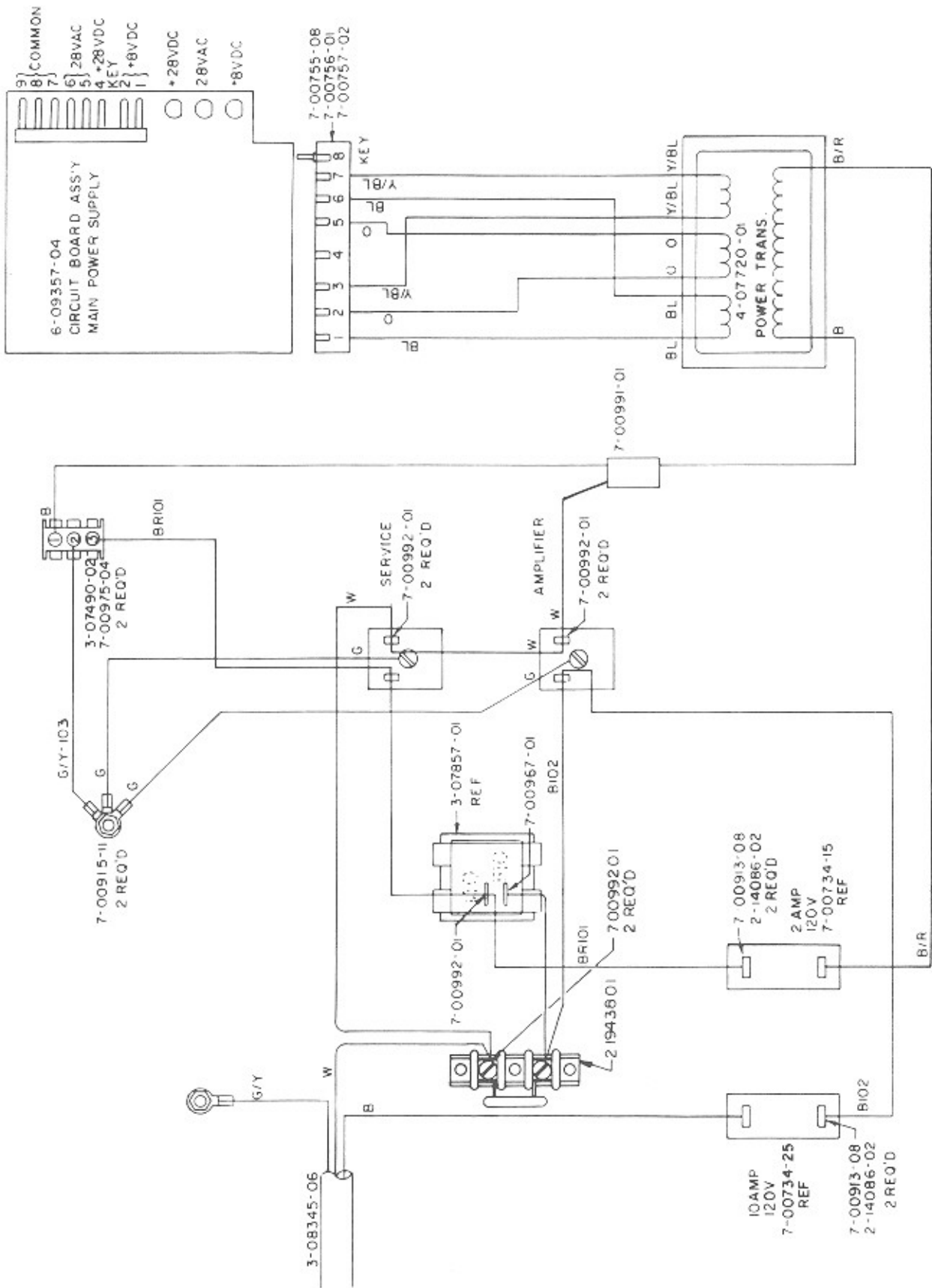


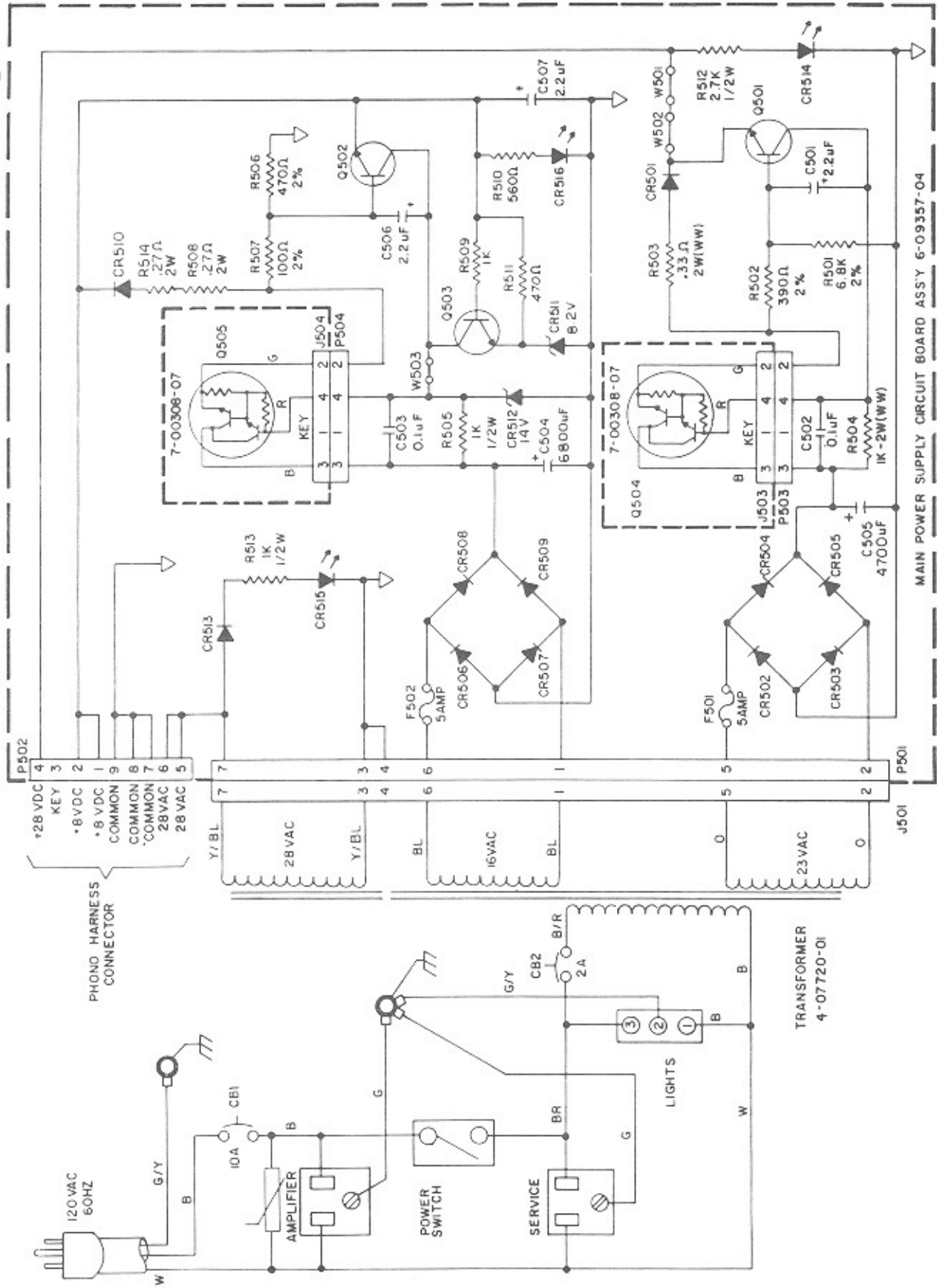
- A → HARNESS & SWITCH ASSY . . . . . 61035503
  1. Cancel To Computer
  2. Cancel Line To Terminal Block
  3. Remote Volume & Volume Control From Amplifier
  4. Volume Control
  5. 110 VAC To Amplifier
  6. Low Voltage Power To Switch
  7. 28 VAC To CD Player
  8. Low Voltage Power To Computer
  9. Page Control
  10. Amplifier Output (Audio)
  11. Audio Output To Crossover
  12. Audio Output To Bass Speakers
  13. Audio Output To Mid-High Frequency Speakers
  14. Mute
  15. Signal & VDC Power To CD Player
  16. Signal & VDC Power To Control Unit
  17. Signal-Coin Mechanism
  18. 26 VDC Power To Animation And Front Door Lighting
- B → HARNESS ASSY - DISPLAY . . . . . 40833402
  1. 28 VDC Power To Animation Lighting
  2. Signal And VDC Power To Title Rack
  3. Signal And VDC Power To Keyboard/Display
  4. Page Control
  5. Audio Input To Mid-High Frequency Speakers
- C → HARNESS ASSY - 110 VAC 60/50 HZ . . . 40832903/04
- D → HARNESS ASSY - TOP DOOR LIGHTING . . . 40834501
- E → HARNESS ASSY - AUDIO . . . . . 30934201
- F → CABLE ASSY - INTERCONNECT . . . . . 45070203
- G → MOTOR & HARNESS ASSY . . . . . 40824302
- H → HARNESS ASSY - INTERCONNECT . . . . . 30938501
  1. Switch - Signal To Display
  2. Switch - Signal To Display
  3. VDC Power From Display
- K → HARNESS ASSY - CD MECH. . . . . 40830002
  1. Cam Switch . . . . . To Mech. Control
  2. Magazine Motor . . . . . To Mech. Control
  3. Detent Solenoid . . . . . To Mech. Control
  4. Cancel Switch . . . . . To Mech. Control
  5. Transfer Motor . . . . . To Mech. Control
- L → COUNTER & PLUG ASSY . . . . . 30933301
- N → TRANSFORMER ASSY - POWER . . . . . 40830401
- R → OPTICAL SWITCH ASSY . . . . . 30906801
- S → HARNESS ASSY - PLAYER CONTROL . . . . . 30930501
- T → HARNESS ASSY - CD MECH. (SIGNAL) . . . 30930701
- U → HARNESS ASSY - CD MECH. (POWER) . . . 30930601
- V → HARNESS ASSY - DC BILL STACKER . . . . . 45062308
- W → HARNESS ASSY - DOOR LIGHT . . . . . 40846701

Figure 5-4. CD-100B Harness Diagram



For Equivalent Engineering Drawing See 40770609-Q1 A

Figure 5-5A. Main Power Supply Wiring Diagram - Domestic



21822618

For Equivalent Engineering Drawing See 40770609-02 A

Figure 5-5B. Main Power Supply Schematic - Domestic





**COMPONENTS LIST FOR  
MAIN POWER SUPPLY CIRCUIT BOARD 60935704**

C501	Capacitor - Electrolytic	2.2 MF @ 50V	70023805
C502	Capacitor - Monolithic Ceramic	0.1 MF @ 50V	70028511
C503	Capacitor - Monolithic Ceramic	0.1 MF @ 50V	70028511
C504	Capacitor - Electrolytic	6800 MF @ 35V	70023601
C505	Capacitor - Electrolytic	4700 MF @ 50V	70023604
C506	Capacitor - Electrolytic	2.2 MF @ 50V	70023805
C507	Capacitor - Electrolytic	2.2 MF @ 50V	70023805

CR501-CR510	Diode - Silicon		70035004
CR511	Diode - Zener (8.2 V, 5%)		70035528
CR512	Diode - Zener (14 V, 5%)		70035529
CR513	Diode - Silicon		70035005
CR514-CR516	Diode - Light Emitting		70035303

F501-F502	Fuse - 5 Amp		70072106
-----------	--------------	--	----------

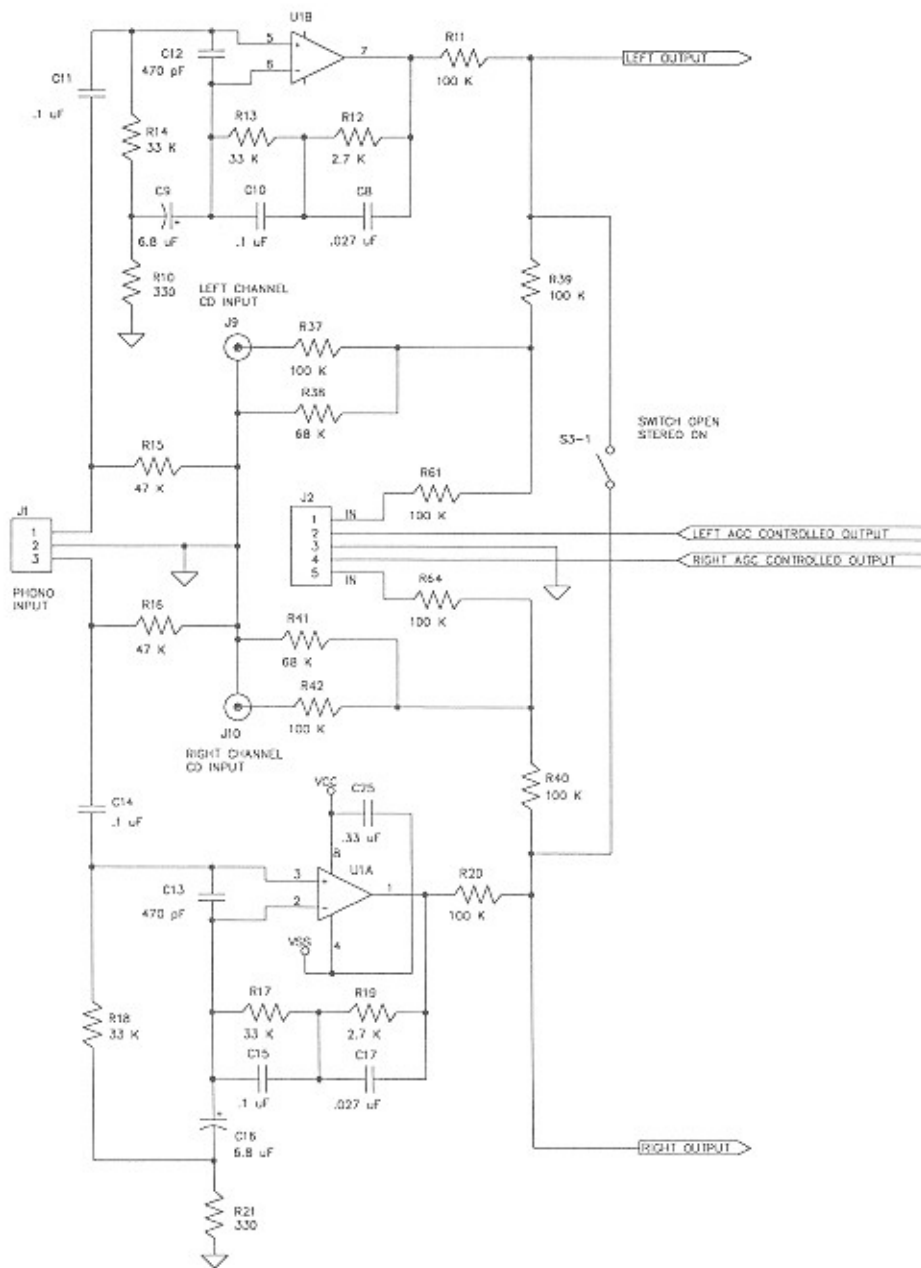
P501	Polarizing Wafer Assembly		70075007
P502	Polarizing Wafer Assembly - Right-angle mount		70076009
P503-P504	Polarizing Wafer Assembly		70075003

Q501-Q502	Transistor - Silicon (NPN)	70033005
Q503	Transistor - Silicon (NPN)	70030008

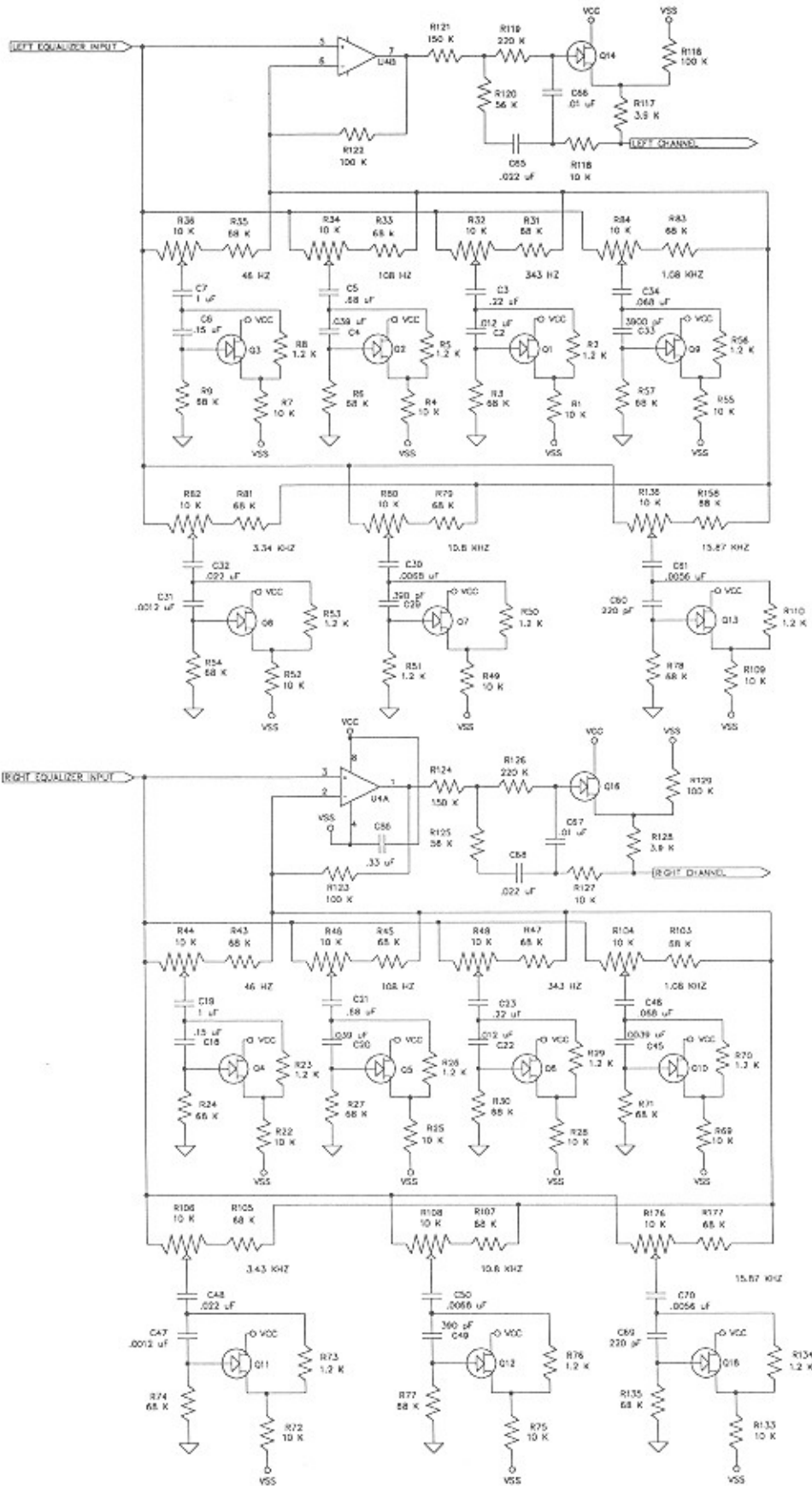
**Note:** All resistors are ¼ watt 5%, unless otherwise noted.

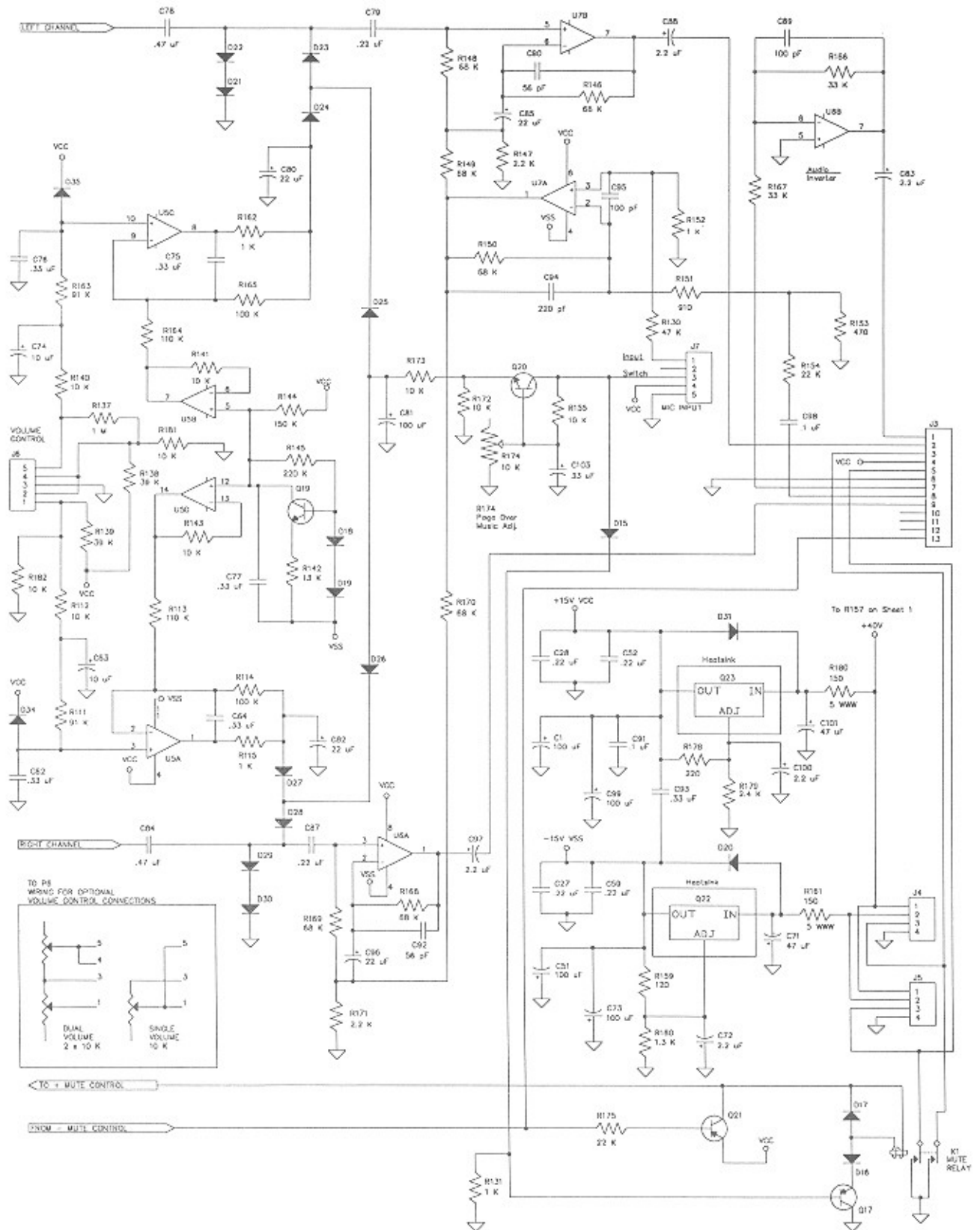
R501	Resistor - Carbon	6.8 K $\Omega$	(¼ w, 2%)	79902682
R502	Resistor - Carbon	390 $\Omega$	(¼ w, 2%)	79902391
R503	Resistor - Wire Wound	0.33 $\Omega$	(2 w, 5%)	79920338
R504	Resistor - Wire Wound	1 K $\Omega$	(2 w, 10%)	79920102
R505	Resistor - Carbon	1 K $\Omega$	(½ w, 10%)	70010619
R506	Resistor - Carbon	470 $\Omega$	(¼ w, 2%)	79902471
R507	Resistor - Carbon	100 $\Omega$	(¼ w, 2%)	79902101
R508	Resistor - Wire Wound	0.27 $\Omega$	(2 w, 5%)	79920278
R509	Resistor - Carbon	1 K $\Omega$	(¼ w, 5%)	79901102
R510	Resistor - Carbon	560 $\Omega$	(¼ w, 5%)	79901561
R511	Resistor - Carbon	470 $\Omega$	(¼ w, 5%)	79901471
R512	Resistor - Carbon	2.7 K $\Omega$	(½ w, 5%)	70012007
R513	Resistor - Carbon	1 K $\Omega$	(½ w, 10%)	70010619
R514	Resistor - Carbon	.27 $\Omega$	(2 w, 5%)	79920278











For Equivalent Engineering Drawing See 61023702-Q2 B

Figure 5-7A. Schematic Diagram - Stereo Preamp Assembly, Sheet 2

## COMPONENT LIST FOR PREAMPLIFIER BOARD (61023702-B)

C1	Capacitor - Electrolytic	100 MF	70023814
C2	Capacitor - Monolithic Ceramic	.012 MF	70028638
C3	Capacitor - Monolithic Ceramic	.22 MF	70028510
C4	Capacitor - Monolithic Ceramic	.039 MF	70028644
C5	Capacitor - Monolithic Ceramic	.68 MF	70028522
C6	Capacitor - Monolithic Ceramic	.15 MF	70028512
C7	Capacitor - Monolithic Ceramic	1 MF	70028521
C8	Capacitor - Monolithic Ceramic	.027 MF	70028642
C9	Capacitor - Electrolytic	6.8 MF	70023807
C10	Capacitor - Monolithic Ceramic	.1 MF	70028649
C11	Capacitor - Monolithic Ceramic	.1 MF	70028649
C12	Capacitor - Monolithic Ceramic	470 PF	70028612
C13	Capacitor - Monolithic Ceramic	470 PF	70028612
C14	Capacitor - Monolithic Ceramic	.1 MF	70028649
C15	Capacitor - Monolithic Ceramic	.1 MF	70028649
C16	Capacitor - Electrolytic	6.8 MF	70023807
C17	Capacitor - Monolithic Ceramic	.027 MF	70028642
C18	Capacitor - Monolithic Ceramic	.15 MF	70028512
C19	Capacitor - Monolithic Ceramic	1 MF	70028521
C20	Capacitor - Monolithic Ceramic	.039 MF	70028644
C21	Capacitor - Monolithic Ceramic	.68 MF	70028522
C22	Capacitor - Monolithic Ceramic	.012 MF	70028638
C23	Capacitor - Monolithic Ceramic	.22 MF	70028510
C24	Capacitor - Monolithic Ceramic	.1 MF	70028649
C25	Capacitor - Monolithic Ceramic	.33 MF	70028515
C26	Capacitor - Monolithic Ceramic	.1 MF	70028649
C27	Capacitor - Monolithic Ceramic	.22 MF	70028510
C28	Capacitor - Monolithic Ceramic	.22 MF	70028510
C29	Capacitor - Monolithic Ceramic	390 PF	70028611
C30	Capacitor - Monolithic Ceramic	.0068 MF	70028633
C31	Capacitor - Monolithic Ceramic	.0012 MF	70028620
C32	Capacitor - Monolithic Ceramic	.022 MF	70028641
C33	Capacitor - Monolithic Ceramic	.0059 MF	70028629
C34	Capacitor - Monolithic Ceramic	.068 MF	70028647
C35	Capacitor - Monolithic Ceramic	.1 MF	70028649
C36	Capacitor - Electrolytic	100 MF	70023814
C37	Capacitor - Monolithic Ceramic	100 PF	70028601
C38	Capacitor - Monolithic Ceramic	100 PF	70028601
C39	Capacitor - Monolithic Ceramic	.33 MF	70028515
C40	Capacitor - Monolithic Ceramic	100 PF	70028601
C41	Capacitor - Monolithic Ceramic	100 PF	70028601
C42	Capacitor - Monolithic Ceramic	.1 MF	70028649
C43	Capacitor - Electrolytic	100 MF	70023814
C44	Capacitor - Electrolytic	33 MF	70023811
C45	Capacitor - Monolithic Ceramic	.0039 MF	70028629
C46	Capacitor - Monolithic Ceramic	.068 MF	70028647
C47	Capacitor - Monolithic Ceramic	.0012 MF	70028620
C48	Capacitor - Monolithic Ceramic	.022 MF	70028641
C49	Capacitor - Monolithic Ceramic	390 PF	70028611
C50	Capacitor - Monolithic Ceramic	.0056 MF	70028632
C51	Capacitor - Electrolytic	100 MF	70023814

C52	Capacitor - Monolithic Ceramic	.22 MF	70028510
C53	Capacitor - Monolithic Ceramic	.1 MF	70028649
C54	Capacitor - Electrolytic	2.2 MF	70023805
C55	Capacitor - Electrolytic	2.2 MF	70023805
C56	Capacitor - Monolithic Ceramic	.01 MF	70028636
C57	Capacitor - Electrolytic	100 MF	70023814
C58	Capacitor - Electrolytic	2.2 MF	70023805
C59	Capacitor - Monolithic Ceramic	.22 MF	70028510
C60	Capacitor - Monolithic Ceramic	220 PF	70028606
C61	Capacitor - Monolithic Ceramic	.0056 MF	70028632
C62	Capacitor - Monolithic Ceramic	.33 MF	70028515
C63	Capacitor - Electrolytic	10 MF	70023808
C64	Capacitor - Monolithic Ceramic	.33 MF	70028515
C65	Capacitor - Monolithic Ceramic	.022 MF	70028641
C66	Capacitor - Monolithic Ceramic	.01 MF	70028636
C67	Capacitor - Monolithic Ceramic	.01 MF	70028636
C68	Capacitor - Monolithic Ceramic	.022 MF	70028641
C69	Capacitor - Monolithic Ceramic	220 PF	70028606
C70	Capacitor - Monolithic Ceramic	.0056 MF	70028632
C71	Capacitor - Electrolytic	47 MF	70023812
C72	Capacitor - Electrolytic	2.2 MF	70023805
C73	Capacitor - Electrolytic	100 MF	70023814
C74	Capacitor - Electrolytic	10 MF	70023808
C75	Capacitor - Monolithic Ceramic	.33 MF	70028515
C76	Capacitor - Monolithic Ceramic	.33 MF	70028515
C77	Capacitor - Monolithic Ceramic	.33 MF	70028515
C78	Capacitor - Monolithic Ceramic	.47 MF	70028516
C79	Capacitor - Monolithic Ceramic	.22 MF	70028510
C80	Capacitor - Electrolytic	22 MF	70023810
C81	Capacitor - Electrolytic	100 MF	70023814
C82	Capacitor - Electrolytic	22 MF	70023810
C83	Capacitor - Electrolytic	2.2 MF	70023805
C84	Capacitor - Monolithic Ceramic	.47 MF	70028516
C85	Capacitor - Electrolytic	22 MF	70023810
C86	Capacitor - Monolithic Ceramic	.33 MF	70028515
C87	Capacitor - Monolithic Ceramic	.22 MF	70028510
C88	Capacitor - Electrolytic	2.2 MF	70023805
C89	Capacitor - Monolithic Ceramic	100 PF	70028601
C90	Capacitor - Monolithic Ceramic	56 PF	70028710
C91	Capacitor - Monolithic Ceramic	.1 MF	70028649
C92	Capacitor - Monolithic Ceramic	56 PF	70028710
C93	Capacitor - Monolithic Ceramic	.33 MF	70028515
C94	Capacitor - Monolithic Ceramic	220 PF	70028606
C95	Capacitor - Monolithic Ceramic	100 PF	70028601
C96	Capacitor - Electrolytic	22 MF	70023810
C97	Capacitor - Electrolytic	2.2 MF	70023805
C98	Capacitor - Monolithic Ceramic	.1 MF	70028649
C99	Capacitor - Electrolytic	100 MF	70023814
C100	Capacitor - Electrolytic	2.2 MF	70023805
C101	Capacitor - Electrolytic	47 MF	70023812
C102	Capacitor - Monolithic Ceramic	.47 MF	70028516
C103	Capacitor - Electrolytic	33 MF	70023811

## COMPONENT LIST FOR PREAMPLIFIER BOARD

(Continued)

D1	Diode - Silicon	1N4148	70035012
D2	Diode - Silicon	1N4148	70035012
D3	Diode - Silicon	1N4148	70035012
D4	Diode - Silicon	1N4148	70035012
D5	Diode - Silicon	1N4148	70035012
D6	Diode - Silicon	1N4148	70035012
D7	Diode - Silicon	1N4148	70035012
D8	Diode - Silicon	1N4148	70035012
D9	Diode - Silicon	1N4148	70035012
D10	Diode - Silicon	1N4148	70035012
D11	Diode - Silicon	1N4148	70035012
D12	Diode - Silicon	1N4148	70035012
D13	Diode - Silicon	1N4148	70035012
D14	Diode - Silicon	1N4148	70035012
D15	Diode - Silicon	1N4148	70035012
D16	Diode - Silicon	1N4148	70035012
D17	Diode - Silicon	1N4148	70035012
D18	Diode - Silicon	1N4148	70035012
D19	Diode - Silicon	1N4148	70035012
D20	Diode - Silicon	1N4148	70035012
D21	Diode - Silicon	1N4148	70035012
D22	Diode - Silicon	1N4148	70035012
D23	Diode - Silicon	1N4148	70035012
D24	Diode - Silicon	1N4148	70035012
D25	Diode - Silicon	1N4148	70035012
D26	Diode - Silicon	1N4148	70035012
D27	Diode - Silicon	1N4148	70035012
D28	Diode - Silicon	1N4148	70035012
D29	Diode - Silicon	1N4148	70035012
D30	Diode - Silicon	1N4148	70035012
D31	Diode - Silicon	1N4148	70035012
D32	Diode - Silicon	1N4148	70035012
D33	Diode - Silicon	1N4148	70035012
D34	Diode - Silicon	1N4148	70035012
D35	Diode - Silicon	1N4148	70035012
HS1	Heatsink - Vertical Mount		21541405
HS2	Heatsink - Vertical Mount		21541405
P1	Header - Non-Polarizing (3 CKT)		70074921
P2	Header - Non-Polarizing (5 CKT)		70074923
P3	Header - Non-Polarizing (13 CKT)		70074931
P4	Connector - Top Entry (4 CKT)		70074802
P5	Connector - Top Entry (4 CKT)		70074802
P6	Header - Non-Polarizing (5 CKT)		70074923
P7	Header - Non-Polarizing (5 CKT)		70074923
P8	Header - Polarizing (2 CKT)		70075002
P9	Receptacle - Phono Jack		21540902
P10	Receptacle - Phono Jack		21540902
K1	Relay - Reed		70042208

Q1	Transistor - J-FET (N-channel)	2N5484	70030901
Q2	Transistor - J-FET (N-Channel)	2N5484	70030901
Q3	Transistor - J-FET (N-Channel)	2N5484	70030901
Q4	Transistor - J-FET (N-Channel)	2N5484	70030901
Q5	Transistor - J-FET (N-Channel)	2N5484	70030901
Q6	Transistor - J-FET (N-Channel)	2N5484	70030901
Q7	Transistor - J-FET (N-Channel)	2N5484	70030901
Q8	Transistor - J-FET (N-Channel)	2N5484	70030901
Q9	Transistor - J-FET (N-Channel)	2N5484	70030901
Q10	Transistor - J-FET (N-Channel)	2N5484	70030901
Q11	Transistor - J-FET (N-Channel)	2N5484	70030901
Q12	Transistor - J-FET (N-Channel)	2N5484	70030901
Q13	Transistor - J-FET (N-Channel)	2N5484	70030901
Q14	Transistor - J-FET (N-Channel)	2N5484	70030901
Q15	Transistor - Silicon (PNP)	MPSA56	70030104
Q16	Transistor - J-FET (N-Channel)	2N5484	70030901
Q17	Transistor - Silicon (PNP)	MPSA56	70030104
Q18	Transistor - J-FET (N-Channel)	2N5484	70030901
Q19	Transistor - Silicon (NPN)	MPSA06	70030008
Q20	Transistor - Silicon (NPN)	MPSA06	70030008
Q21	Transistor - Silicon (PNP)	MPSA56	70030104
Q22	Regulator - Voltage (ADJ NEG)	LM337T	70036508
Q23	Regulator - Voltage (ADJ POS)	LM317T	70036507

**Note:** All resistors are ¼ watt 5%, unless otherwise noted.

R1	Resistor - Carbon	10 K $\Omega$	79901103
R2	Resistor - Carbon	1.2 K $\Omega$	79901122
R3	Resistor - Carbon	68 K $\Omega$	79901683
R4	Resistor - Carbon	10 K $\Omega$	79901103
R5	Resistor - Carbon	1.2 K $\Omega$	79901122
R6	Resistor - Carbon	68 K $\Omega$	79901683
R7	Resistor - Carbon	10 K $\Omega$	79901103
R8	Resistor - Carbon	1.2 K $\Omega$	79901122
R9	Resistor - Carbon	68 K $\Omega$	79901683
R10	Resistor - Carbon	330 $\Omega$	79901331
R11	Resistor - Carbon	100 K $\Omega$	79901104
R12	Resistor - Carbon	2.7 K $\Omega$	79901272
R13	Resistor - Carbon	33 K $\Omega$	79901333
R14	Resistor - Carbon	33 K $\Omega$	79901333
R15	Resistor - Carbon	47 K $\Omega$	79901473
R16	Resistor - Carbon	47 K $\Omega$	79901473
R17	Resistor - Carbon	33 K $\Omega$	79901333
R18	Resistor - Carbon	33 K $\Omega$	79901333
R19	Resistor - Carbon	2.7 K $\Omega$	79901272
R20	Resistor - Carbon	100 K $\Omega$	79901104
R21	Resistor - Carbon	330 $\Omega$	79901331
R22	Resistor - Carbon	10 K $\Omega$	79901103
R23	Resistor - Carbon	1.2 K $\Omega$	79901122
R24	Resistor - Carbon	68 K $\Omega$	79901683
R25	Resistor - Carbon	10 K $\Omega$	79901103



**COMPONENT LIST FOR PREAMPLIFIER BOARD***(Continued)*

R26	Resistor - Carbon	1.2 K $\Omega$	79901122
R27	Resistor - Carbon	68 K $\Omega$	79901683
R28	Resistor - Carbon	10 K $\Omega$	79901103
R29	Resistor - Carbon	1.2 K $\Omega$	79901122
R30	Resistor - Carbon	68 K $\Omega$	79901683
R31	Resistor - Carbon	68 K $\Omega$	79901683
R32	Potentiometer - Special	10 K $\Omega$	70040018
R33	Resistor - Carbon	68 K $\Omega$	79901683
R34	Potentiometer - Special	10 K $\Omega$	70040018
R35	Resistor - Carbon	68 K $\Omega$	79901683
R36	Potentiometer - Special	10 K $\Omega$	70040018
R37	Resistor - Carbon	100 K $\Omega$	79901104
R38	Resistor - Carbon	68 K $\Omega$	79901683
R39	Resistor - Carbon	100 K $\Omega$	79901104
R40	Resistor - Carbon	100 K $\Omega$	79901104
R41	Resistor - Carbon	68 K $\Omega$	79901683
R42	Resistor - Carbon	100 K $\Omega$	79901104
R43	Resistor - Carbon	68 K $\Omega$	79901683
R44	Potentiometer - Special	10 K $\Omega$	70040018
R45	Resistor - Carbon	68 K $\Omega$	79901683
R46	Potentiometer - Special	10 K $\Omega$	70040018
R47	Resistor - Carbon	68 K $\Omega$	79901683
R48	Potentiometer - Special	10 K $\Omega$	70040018
R49	Resistor - Carbon	10 K $\Omega$	79901103
R50	Resistor - Carbon	1.2 K $\Omega$	79901122
R51	Resistor - Carbon	68 K $\Omega$	79901683
R52	Resistor - Carbon	10 K $\Omega$	79901103
R53	Resistor - Carbon	1.2 K $\Omega$	79901122
R54	Resistor - Carbon	68 K $\Omega$	79901683
R55	Resistor - Carbon	10 K $\Omega$	79901103
R56	Resistor - Carbon	1.2 K $\Omega$	79901122
R57	Resistor - Carbon	68 K $\Omega$	79901683
R58	Resistor - Carbon	18 K $\Omega$	79901183
R59	Resistor - Carbon	1.8 K $\Omega$	79901182
R60	Resistor - Carbon	470 K $\Omega$	79901474
R61	Resistor - Carbon	100 K $\Omega$	79901104
R62	Resistor - Carbon	100 $\Omega$	79901101
R63	Resistor - Carbon	100 $\Omega$	79901101
R64	Resistor - Carbon	100 K $\Omega$	79901104
R65	Resistor - Carbon	470 K $\Omega$	79901474
R66	Resistor - Carbon	1.8 K $\Omega$	79901182
R67	Resistor - Carbon	18 K $\Omega$	79901183
R68	Resistor - Carbon	39 K $\Omega$	79901393
R69	Resistor - Carbon	10 K $\Omega$	79901103
R70	Resistor - Carbon	1.2 K $\Omega$	79901122
R71	Resistor - Carbon	68 K $\Omega$	79901683
R72	Resistor - Carbon	10 K $\Omega$	79901103
R73	Resistor - Carbon	1.2 K $\Omega$	79901122
R74	Resistor - Carbon	68 K $\Omega$	79901683
R75	Resistor - Carbon	10 K $\Omega$	79901103
R76	Resistor - Carbon	1.2 K $\Omega$	79901122

R77	Resistor - Carbon	68 K $\Omega$	79901683
R78	Resistor - Carbon	68 K $\Omega$	79901683
R79	Resistor - Carbon	68 K $\Omega$	79901683
R80	Potentiometer - Special	10 K $\Omega$	70040018
R81	Resistor - Carbon	68 K $\Omega$	79901683
R82	Potentiometer - Special	10 K $\Omega$	70040018
R83	Resistor - Carbon	68 K $\Omega$	79901683
R84	Potentiometer - Special	10 K $\Omega$	70040018
R85	Resistor - Carbon	22 K $\Omega$	79901223
R86	Resistor - Carbon	330 K $\Omega$	79901334
R87	Resistor - Carbon	330 K $\Omega$	79901334
R88	Resistor - Carbon	24 K $\Omega$	79901243
R89	Resistor - Carbon	820 $\Omega$	79901821
R90	Resistor - Carbon	20 K $\Omega$	79901203
R91	Resistor - Carbon	33 K $\Omega$	79901333
R92	Resistor - Carbon	33 K $\Omega$	79901333
R93	Resistor - Carbon	820 $\Omega$	79901821
R94	Resistor - Carbon	20 K $\Omega$	79901203
R95	Resistor - Carbon	91 K $\Omega$	79901913
R96	Resistor - Carbon	10 K $\Omega$	79901103
R97	Resistor - Carbon	100 K $\Omega$	79901104
R98	Resistor - Carbon	2.7 M $\Omega$	79901275
R99	Resistor - Carbon	22 K $\Omega$	79901223
R100	Resistor - Carbon	270 K $\Omega$	79901274
R101	Resistor - Carbon	11 K $\Omega$	79901113
R102	Resistor - Carbon	5.6 K $\Omega$	79901562
R103	Resistor - Carbon	68 K $\Omega$	79901683
R104	Potentiometer - Special	10 K $\Omega$	70040018
R105	Resistor - Carbon	68 K $\Omega$	79901683
R106	Potentiometer - Special	10 K $\Omega$	70040018
R107	Resistor - Carbon	68 K $\Omega$	79901683
R108	Potentiometer - Special	10 K $\Omega$	70040018
R109	Resistor - Carbon	10 K $\Omega$	79901103
R110	Resistor - Carbon	1.2 K $\Omega$	79901122
R111	Resistor - Carbon	91 K $\Omega$	79901913
R112	Resistor - Carbon	10 K $\Omega$	79901103
R113	Resistor - Carbon	110 K $\Omega$	79901114
R114	Resistor - Carbon	100 K $\Omega$	79901104
R115	Resistor - Carbon	1 K $\Omega$	79901102
R116	Resistor - Carbon	100 K $\Omega$	79901104
R117	Resistor - Carbon	3.9 K $\Omega$	79901392
R118	Resistor - Carbon	10 K $\Omega$	79901103
R119	Resistor - Carbon	220 K $\Omega$	79901224
R120	Resistor - Carbon	56 K $\Omega$	79901563
R121	Resistor - Carbon	150 K $\Omega$	79901154
R122	Resistor - Carbon	100 K $\Omega$	79901104
R123	Resistor - Carbon	100 K $\Omega$	79901104
R124	Resistor - Carbon	150 K $\Omega$	79901154
R125	Resistor - Carbon	56 K $\Omega$	79901563
R126	Resistor - Carbon	220 K $\Omega$	79901224
R127	Resistor - Carbon	10 K $\Omega$	79901103

## COMPONENT LIST FOR PREAMPLIFIER BOARD

(Continued)

R128	Resistor - Carbon	3.9 K $\Omega$	79901392
R129	Resistor - Carbon	100 K $\Omega$	79901104
R130	Resistor - Carbon	47 K $\Omega$	79901473
R131	Resistor - Carbon	1 K $\Omega$	79901102
R132	Resistor - Carbon	47 K $\Omega$	79901473
R133	Resistor - Carbon	10 K $\Omega$	79901103
R134	Resistor - Carbon	1.2 K $\Omega$	79901122
R135	Resistor - Carbon	68 K $\Omega$	79901683
R136	Potentiometer - Special	10 K $\Omega$	70040018
R137	Resistor - Carbon	1 M $\Omega$	79901105
R138	Resistor - Carbon	39 K $\Omega$	79901393
R139	Resistor - Carbon	39 K $\Omega$	79901393
R140	Resistor - Carbon	10 K $\Omega$	79901103
R141	Resistor - Carbon	10 K $\Omega$	79901103
R142	Resistor - Carbon	13 K $\Omega$	79901133
R143	Resistor - Carbon	10 K $\Omega$	79901103
R144	Resistor - Carbon	150 K $\Omega$	79901154
R145	Resistor - Carbon	220 K $\Omega$	79901224
R146	Resistor - Carbon	68 K $\Omega$	79901683
R147	Resistor - Carbon	2.2 K $\Omega$	79901222
R148	Resistor - Carbon	68 K $\Omega$	79901683
R149	Resistor - Carbon	68 K $\Omega$	79901683
R150	Resistor - Carbon	68 K $\Omega$	79901683
R151	Resistor - Carbon	910 $\Omega$	79901911
R152	Resistor - Carbon	1 K $\Omega$	79901102
R153	Resistor - Carbon	470 $\Omega$	79901471
R154	Resistor - Carbon	22 K $\Omega$	79901223
R155	Resistor - Carbon	10 K $\Omega$	79901103
R156	NOT USED		
R157	Resistor - Carbon	100 K $\Omega$	79901104
R158	Resistor - Carbon	68 K $\Omega$	79901683
R159	Resistor - Carbon	120 $\Omega$ (1/4 W, 2%)	71102121
R160	Resistor - Carbon	1.3 K $\Omega$ (1/4 W, 2%)	79902132
R161	Resistor - Wirewound	150 $\Omega$ (5 Watt)	70012510
R162	Resistor - Carbon	1 K $\Omega$	79901102
R163	Resistor - Carbon	91 K $\Omega$	79901913
R164	Resistor - Carbon	110 K $\Omega$	79901114
R165	Resistor - Carbon	100 K $\Omega$	79901104
R166	Resistor - Carbon	33 K $\Omega$	79901333
R167	Resistor - Carbon	33 K $\Omega$	79901333
R168	Resistor - Carbon	68 K $\Omega$	79901683
R169	Resistor - Carbon	68 K $\Omega$	79901683
R170	Resistor - Carbon	68 K $\Omega$	79901683
R171	Resistor - Carbon	2.2 K $\Omega$	79901222
R172	Resistor - Carbon	10 K $\Omega$	79901103
R173	Resistor - Carbon	10 K $\Omega$	79901103
R174	Potentiometer	10 K $\Omega$	70040014
R175	Resistor - Carbon	22 K $\Omega$	79901223
R176	Potentiometer - Special	10 K $\Omega$	70040018
R177	Resistor - Carbon	68 K $\Omega$	79901683
R178	Resistor - Carbon	220 $\Omega$ (1/4 W, 2%)	79902221

R179	Resistor - Carbon	2.4 K $\Omega$ (1/4 W, 2%)	79902242
R180	Resistor - Wirewound	150 $\Omega$ (5 Watt)	70012510
R181	Resistor -Carbon	10 K $\Omega$	79901103
R182	Resistor -Carbon	10 K $\Omega$	79901103
R183	Resistor - Carbon	910 $\Omega$	79901911
R184	Resistor - Carbon	680 $\Omega$	79901681
R185	Resistor - Carbon	4.7 K $\Omega$	79901472
R186	Resistor - Carbon	4.7 K $\Omega$	79901472
S3	Switch - DIP		70043302 OR 70042902
U1	IC - Dual OP Amp. (LM833 or XR1458/4558)		30800238
U2	IC - Dual OP Amp. (LM833 or XR1458/4558)		30800238
U3	IC - Dual OP Amp. (LM833 or XR1458/4558)		30800238
U4	IC - Dual OP Amp. (LM833 or XR1458/4558)		30800238
U5	IC - Quad OP Amp. (LM348 or XR-4741)		30800215
U6	IC - Dual OP Amp. (LM833 or XR1458/4558)		30800238
U7	IC - Dual OP Amp. (LM833 or XR1458/4558)		30800238

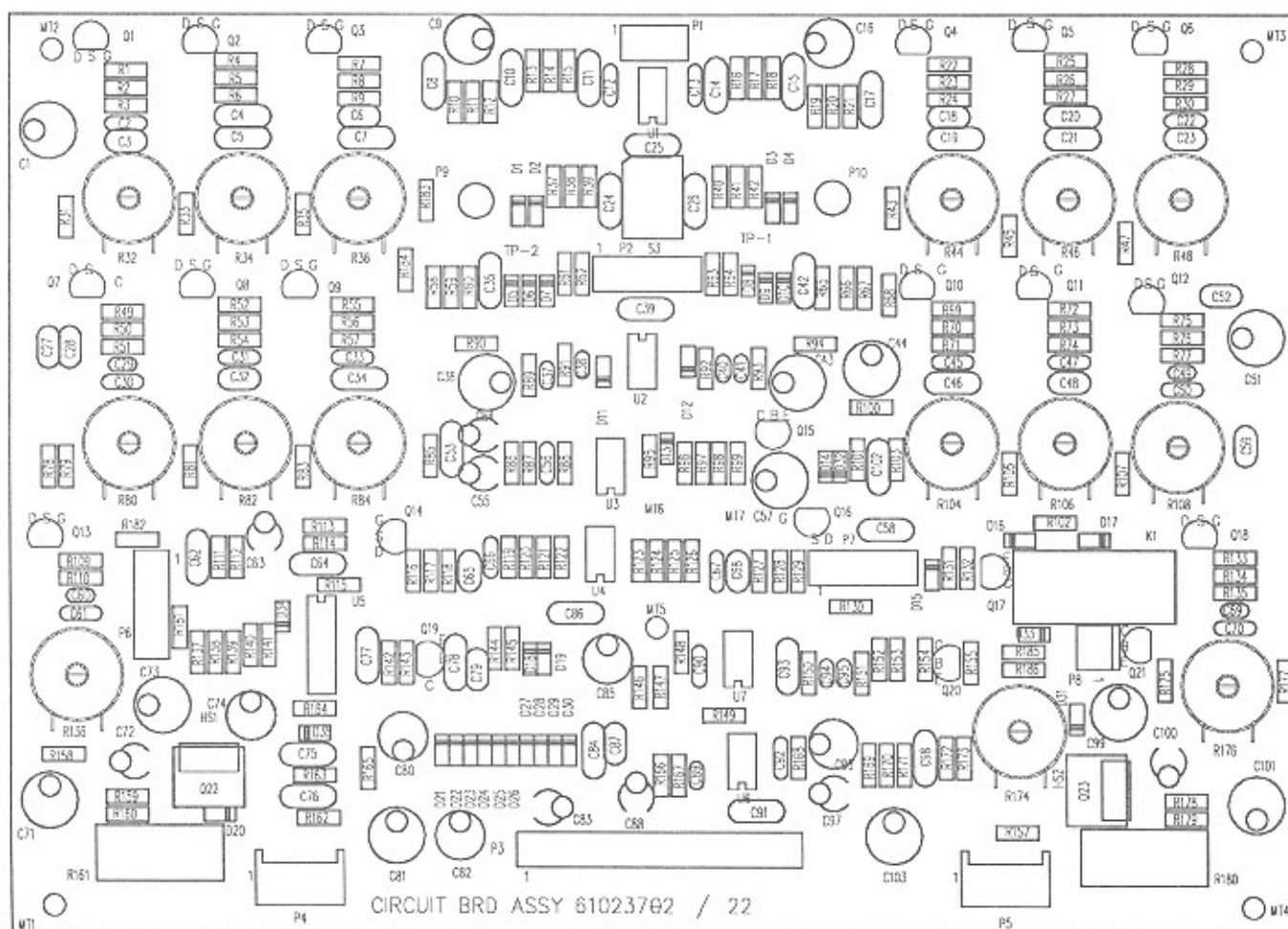
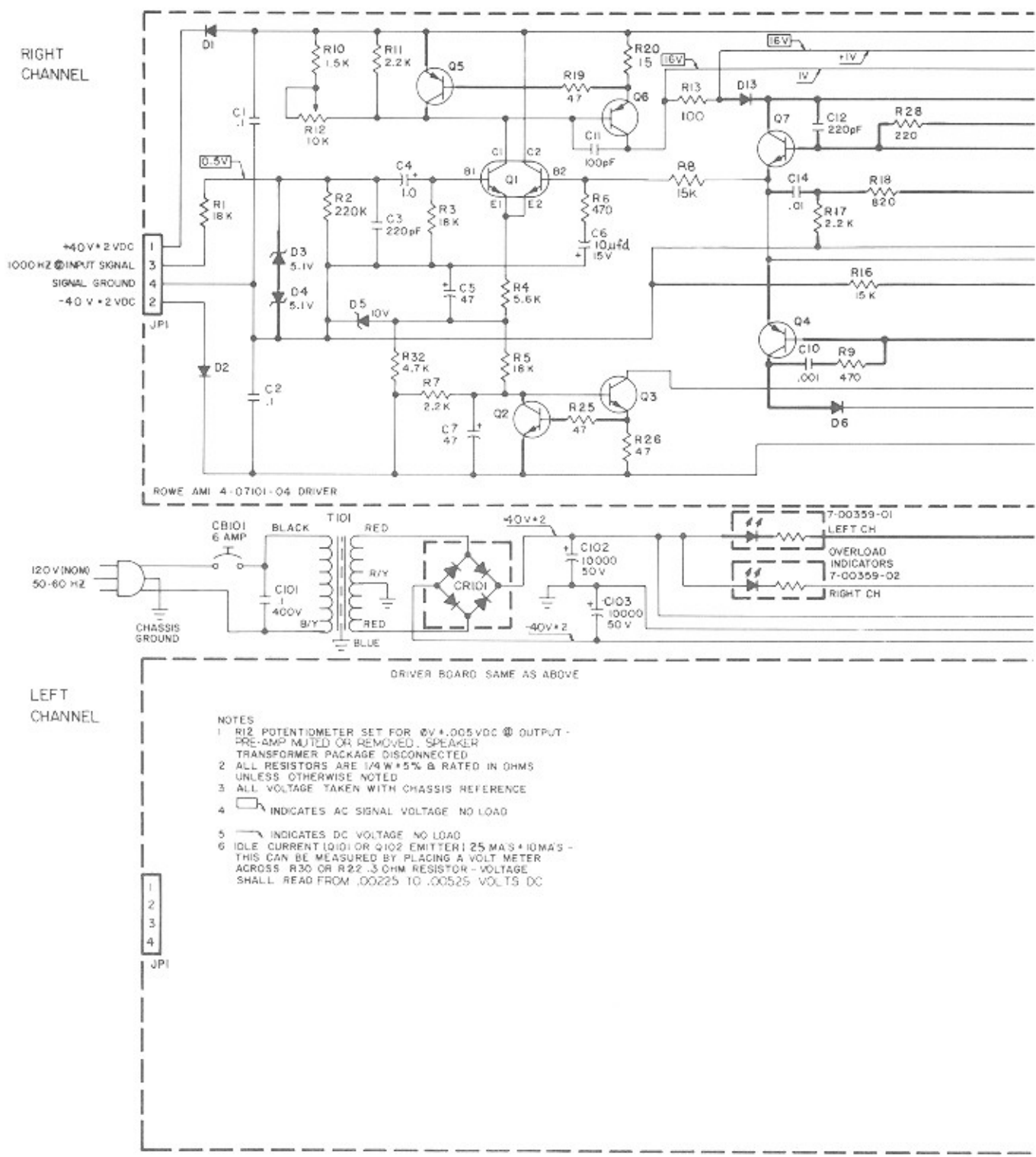
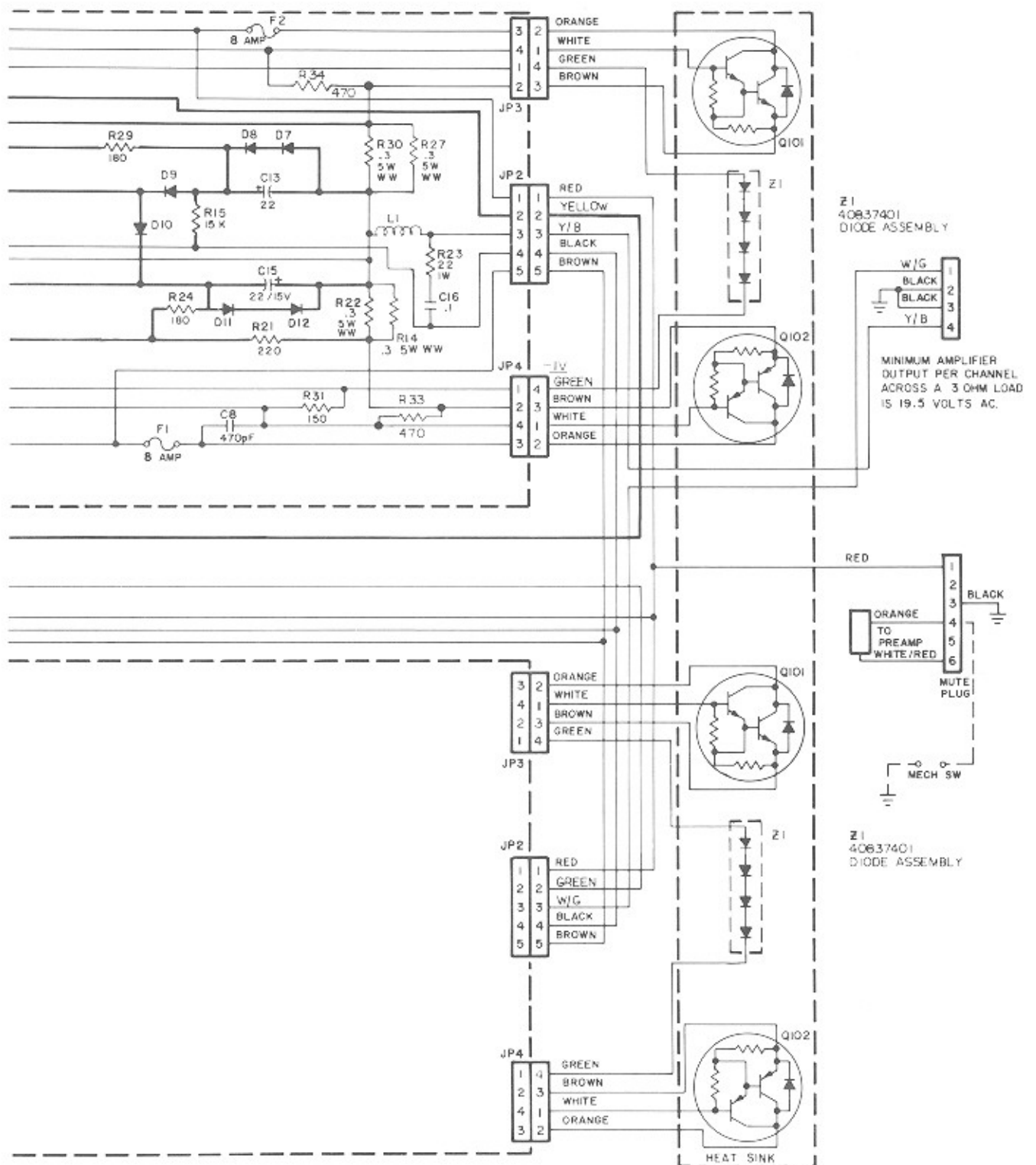


Figure 5-7B. Preamplifier Circuit Board Layout





## COMPONENT LIST FOR AMPLIFIER DRIVER BOARD 40710104-K

C1	Capacitor - Mylar	.1 MF	70021549
C2	Capacitor - Mylar	.1 MF	70021549
C3	Capacitor - Monolithic Ceramic	220 PF	70028606
C4	Capacitor - Electrolytic	1 MF	70023804
C5	Capacitor - Electrolytic	47 MF	70023812
C6	Capacitor - Electrolytic	10 MF	70023808
C7	Capacitor - Electrolytic	47 MF	70023812
C8	Capacitor - Monolithic Ceramic	470 PF	70028612
C9	NOT USED		
C10	Capacitor - Monolithic Ceramic	.001 MF	70028618
C11	Capacitor - Monolithic Ceramic	100 PF	70028601
C12	Capacitor - Monolithic Ceramic	220 PF	70028606
C13	Capacitor - Electrolytic	22 MF	70023810
C14	Capacitor - Monolithic Ceramic	.01 MF	70028636
C15	Capacitor - Electrolytic	22 MF	70023810
C16	Capacitor - Mylar	.1 MF	70021549
CR1	Diode - Silicon		70035005
CR2	Diode - Silicon		70035005
CR3	Diode - Zener	(5.1 V)	70035527
CR4	Diode - Zener	(5.1 V)	70035527
CR5	Diode - Zener	(10 V)	70035514
CR6	Diode - Silicon		70035005
CR7	Diode - Silicon		70035005
CR8	Diode - Silicon		70035005
CR9	Diode - Silicon		70035005
CR10	Diode - Silicon		70035005
CR11	Diode - Silicon		70035005
CR12	Diode - Silicon		70035005
CR13	Diode - Silicon		70035005
F1	Fuse (8 Amp)		70072002
F2	Fuse (8 Amp)		70072002
L1	Inductor - Coil		21940701
P1	Wafer - Non-Polarizing	(4 CKT)	70074904
P2	Wafer - Polarizing	(5 CKT)	70075005
P3	Wafer - Polarizing	(4 CKT)	70075004
P4	Wafer - Polarizing	(4 CKT)	70075004
Q1	Transistor - Silicon (Dual)	(NPN)	70030301
Q2	Transistor - Silicon	(NPN)	70030008
Q3	Transistor - Silicon	(NPN)	70033006
Q4	Transistor - Silicon	(PNP)	70030104
Q5	Transistor - Silicon	(PNP)	70030104
Q6	Transistor - Silicon	(PNP)	70030403
Q7	Transistor - Silicon	(NPN)	70030008



Note: All resistors are 1/4 watt 5%, unless otherwise noted.

R1	Resistor - Carbon	18 K $\Omega$	79901183
R2	Resistor - Carbon	220 K $\Omega$	79901224
R3	Resistor - Carbon	18 K $\Omega$	79901183
R4	Resistor - Carbon	5.6 K $\Omega$	79901562
R5	Resistor - Carbon	18 K $\Omega$	79901183
R6	Resistor - Carbon	470 $\Omega$	79901471
R7	Resistor - Carbon	2.2 $\Omega$	79901222
R8	Resistor - Carbon	15 K $\Omega$	79901153
R9	Resistor - Carbon	470 $\Omega$	79901471
R10	Resistor - Carbon	1.5 K $\Omega$	79901152
R11	Resistor - Carbon	2.2 K $\Omega$	79901222
R12	Resistor - Potentiometer	10 K $\Omega$	70040014
R13	Resistor - Carbon	100 $\Omega$	79901101
R14	Resistor - Wire Wound	.3 $\Omega$	70011805
R15	Resistor - Carbon	15 K $\Omega$	79901153
R16	Resistor - Carbon	15 K $\Omega$	79901153
R17	Resistor - Carbon	2.2 K $\Omega$	79901222
R18	Resistor - Carbon	820 $\Omega$	79901821
R19	Resistor - Carbon	47 $\Omega$	79901470
R20	Resistor - Carbon	15 $\Omega$	79901150
R21	Resistor - Carbon	180 $\Omega$	79901181
R22	Resistor - Wire Wound	.3 $\Omega$	70011805
R23	Resistor - Wire Wound	22 $\Omega$	79920220
R24	Resistor - Carbon	180 $\Omega$	79901181
R25	Resistor - Carbon	47 $\Omega$	79901470
R26	Resistor - Carbon	47 $\Omega$	79901470
R27	Resistor - Wire Wound	.3 $\Omega$ (5 W, 10%)	70011805
R28	Resistor - Carbon	180 $\Omega$	79901181
R29	Resistor - Carbon	180 $\Omega$	79901181
R30	Resistor - Wire Wound	.3 $\Omega$ (5 W, 10%)	70011805
R31	Resistor - Carbon	220 $\Omega$	79901221
R32	Resistor - Carbon	4.7 K $\Omega$	79901472
R33	Resistor - Carbon	470 $\Omega$	79901471
R34	Resistor - Carbon	470 $\Omega$	79901471

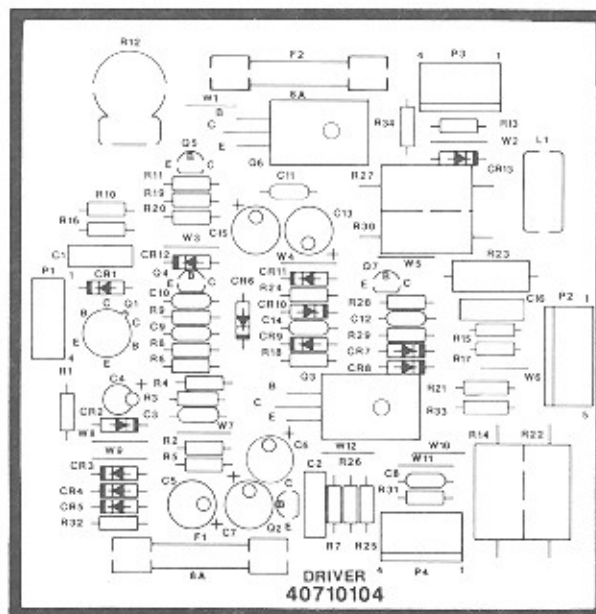
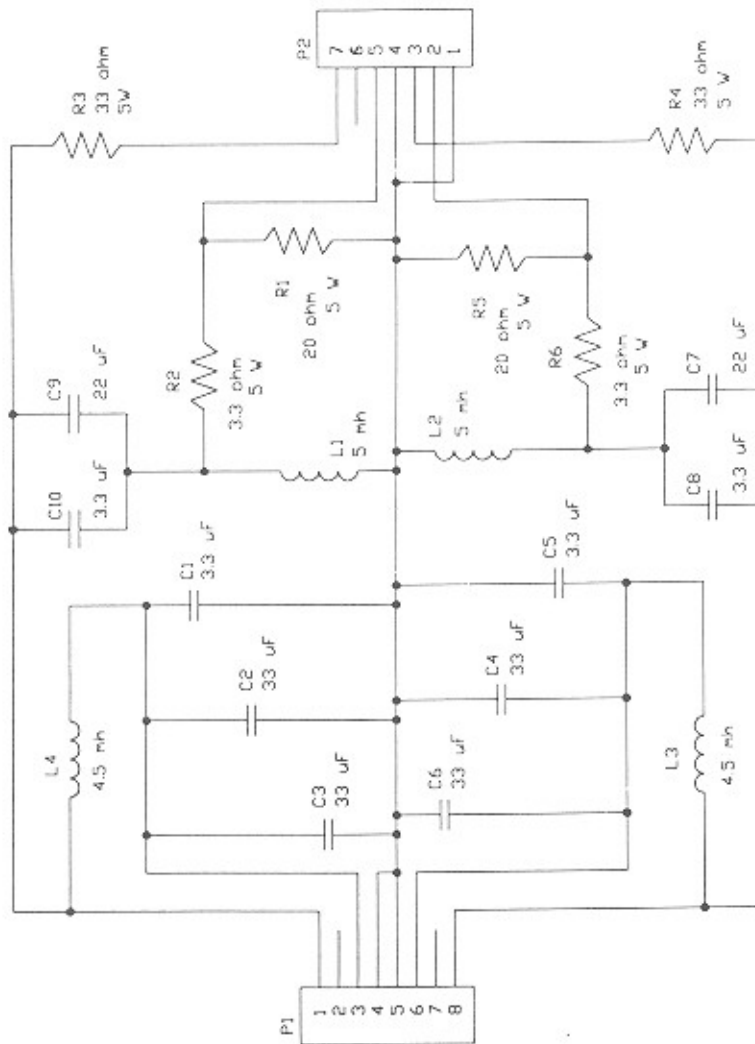


Figure 5-8B. Amplifier Driver Board Layout





For Equivalent Engineering Drawing See 61052701-Q2 A

Figure 5-8C. Schematic Diagram - Crossover Network

**COMPONENTS LIST FOR  
CROSSOVER NETWORK (61052701)**

C1	Capacitor - Bi-Polar Electrolytic	3.3 uF	70022801
C2	Capacitor - Bi-Polar Electrolytic	33 uF	70022811
C3	Capacitor - Bi-Polar Electrolytic	33 uF	70022811
C4	Capacitor - Bi-Polar Electrolytic	33 uF	70022811
C5	Capacitor - Bi-Polar Electrolytic	3.3 uF	70022801
C6	Capacitor - Bi-Polar Electrolytic	33 uF	70022811
C7	Capacitor - Bi-Polar Electrolytic	22 uF	70022809
C8	Capacitor - Bi-Polar Electrolytic	3.3 uF	70022801
C9	Capacitor - Bi-Polar Electrolytic	22 uF	70022809
C10	Capacitor - Bi-Polar Electrolytic	3.3 uF	70022801
L1	Inductor	5 mH	70041302
L2	Inductor	5 mH	70041302
L3	Inductor	4.5 mH	70041301
L4	Inductor	4.5 mH	70041301
P1	Header - Vertical Polarized (8 CKT)		70075008
P2	Header - Vertical Polarized (7 CKT)		70075007
R1	Resistor - Wire Wound 5W	20 $\Omega$	70012514
R2	Resistor - Wire Wound 5W	3.3 $\Omega$	70012513
R3	Resistor - Wire Wound 5W	33 $\Omega$	70012512
R4	Resistor - Wire Wound 5W	33 $\Omega$	70012512
R5	Resistor - Wire Wound 5W	20 $\Omega$	70012514
R6	Resistor - Wire Wound 5W	3.3 $\Omega$	70012513

## AMPLIFIER FULL POWER OUTPUT VOLTAGES (PER CHANNEL)

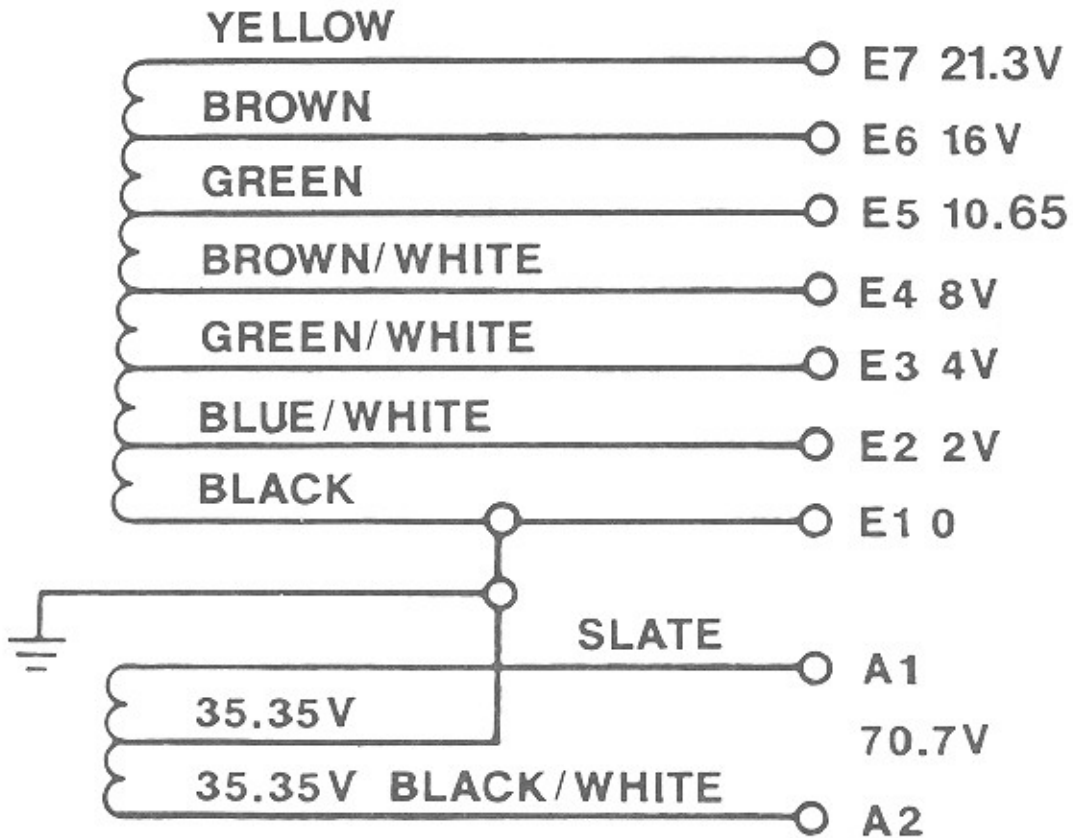
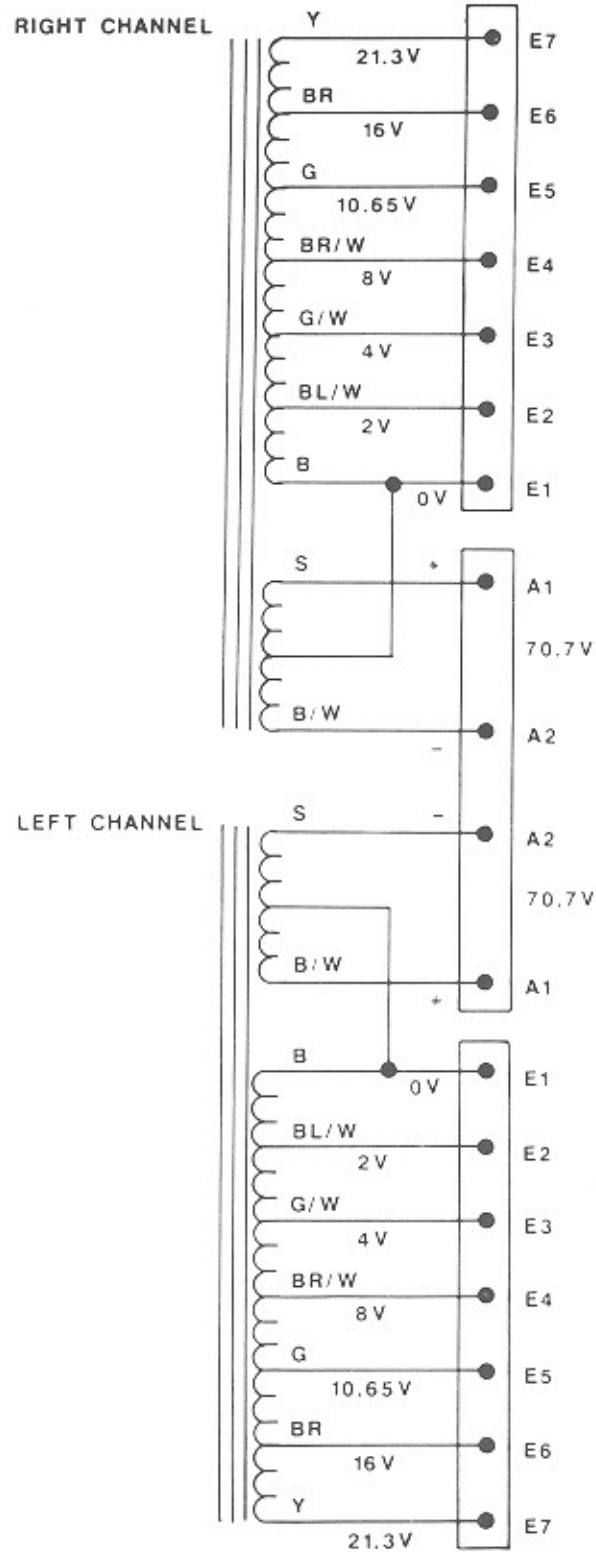


Figure 5-9. Transformer Output Voltages



For Equivalent Engineering Drawing See 40832101-Q2 A

Figure 5-10. Transformer Wiring Diagram

