

# Installation Instructions

## Dual Channel Remote Volume Control Assembly

This control can be used with any of Rowe's 250 W (610249XX) or 1000 W (611320XX) amplifiers in systems that do not include a Studio Sound® pre-amplifier. It converts their output from stereo L & R operation into two separate monoural channels with independent volume controls. In this manner a single jukebox can serve two separate areas each with its own volume control.

### INSTALLATION INSTRUCTIONS:

- Floor jukeboxes only :** Disconnect the Violet, Black and Pink wires from the Audio Output Transformer Assembly. Reconnect these wires to channel one or two, as shown in figure 1. The Pink and Violet wires must be equally spaced, voltage wise, from the Black wire for best jukebox sound and level. See figure 1 below for jukebox power levels available.

Wire	Pink	Black	Violet	Jukebox Power		Power Available for External Speakers	
				125 Watt Amp	500 Watt Amp	125 Watt Amp	500 Watt Amp
Terminal	E1	E2	E3	0.5	0.5	124.5	499.5
	E1	E3	E4	2	2	123	497
	E1	E5	E7	14	32	111	468
	E1	E4	E6	8	---	117	---
	E4	E5	E6	---	8	---	492

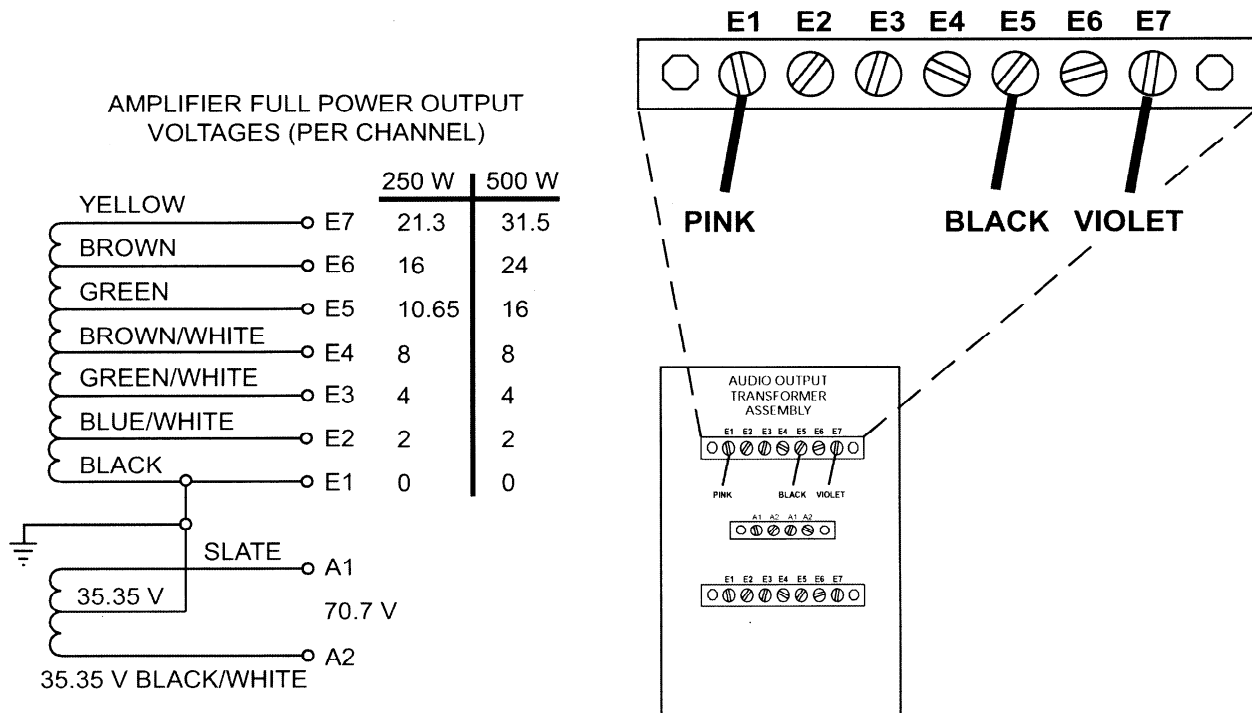


FIGURE 1



2. **Wall Jukebox Only:** Use figure 2 for terminal connections to provide power to external speakers. This includes both channels 1 and 2, at 500 watts each.
3. **Floor Jukeboxes Only:** Use figure 2 for terminal connections to provide power from the second channel.

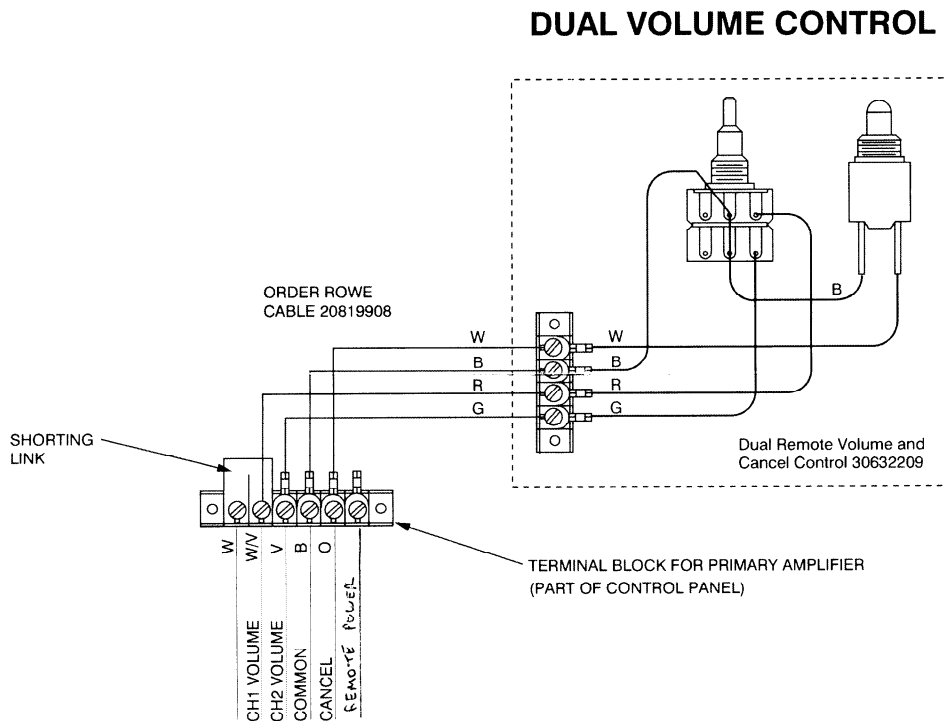
	Terminals	250 Watt Amp Watts Per Speaker	1000 Watt Amp Watts Per Speaker
2 Ohm Speakers	E1-E2 -----	2	2
	E1-E3 -----	8	8
	E1-E4 -----	32	32
	E1-E5 -----	128	128
	E1-E6 -----	288	288
	E1-E7 -----	496	496
	3 Ohm Speakers	E1-E2 -----	1.33
E1-E3 -----		5.33	5.33
E1-E4 -----		21.3	21.3
E1-E5 -----		37.8	88.3
E1-E6 -----		88.3	192
E1-E7 -----		125	330
4 Ohm Speakers		E1-E2 -----	1
	E1-E3 -----	4	4
	E1-E4 -----	16	16
	E1-E5 -----	28.4	64
	E1-E6 -----	64	144
	E1-E7 -----	95	248
	8 Ohm Speakers	E1-E2 -----	0.5
E1-E3 -----		2	2
E1-E4 -----		8	8
E1-E5 -----		14	32
E1-E6 -----		32	72
E1-E7 -----		47.5	124
45 Ohm Wallbox Speakers		E1-E3 -----	0.35
	E1-E4 -----	1.4	(NORMAL) 1.4
	E3-E5 -----	1	3.2
	E1-E5 -----	2.5	

**FIGURE 2**

4. Locate the Mono/Stereo switch on the amplifier (250 watt) or Pre-amplifier (1000 watt) and switch to the MONO position.
5. Locate the auxiliary equipment terminal block in the jukebox as shown in figure 3. Disconnect the two wires coming from the present included volume control from the terminal block, leave the remaining internal wires connected as shown below in figure 3.

Install Remote Volume Control 30632210, with cable, or 30632209, without cable. Connect auxiliary equipment to terminal block in the jukebox as shown in figure 3. Move the metal jumper to the position shown. The outer knob will control one channel and the inside knob will control the second channel. Adjust the tone controls on each channel for optimal sound.

NOTE: If control does not work properly on 250 watt amplifier systems pull volume control plug from the pre-amplifier and rotate 180 degrees and plug back in.



**FIGURE 3**

## # 30632209 Dual Remote Volume Control Assembly

This kit is supplied without cable (4 conductors). If cable is needed, order Rowe # 20819908 (50 foot lengths).

### INSTALLATION INSTRUCTIONS FOR WALL MOUNT CD JUKEBOXES:

1. Connect "Zone 1" speakers to the appropriate terminals on the left channel speaker terminal strip on the output transformer assembly. Follow the speaker wattage guide in the service manual for your jukebox model. Terminal E1 is common to one side of the speaker load. The other side of the speaker load connects to E2 through E7 depending on wattage available. Terminal E2 provides the lowest output wattage and E7 provides the most output wattage. **WARNING:** Do not exceed amplifier wattage or amplifier will be damaged!
2. Same as above except connect "Zone 2" speakers to the appropriate terminals on the right channel speaker terminal strip on the output transformer assembly.
3. Set the "Mono/Stereo" dip switch S1 on the amplifier to the mono (closed) position. Do not change the AVC dip switch S2 setting on the amplifier (not present on early amplifiers).
4. Install the dual remote volume control. Connect as shown on this sheet or in your manual. Be sure to move the jumper strap on the volume terminal strip from it's normal position to the "Dual" position. The outer (larger) knob controls the right channel (Zone 2) speakers and the smaller inner knob controls the left channel (Zone 1) speakers. **NOTE:** If volume on one channel goes high with no control, reverse the volume control connector on the amplifier. This also pertains to the wireless IR remote volume control accessory.
5. Adjust the graphic equalizers for the best tone quality in each zone.