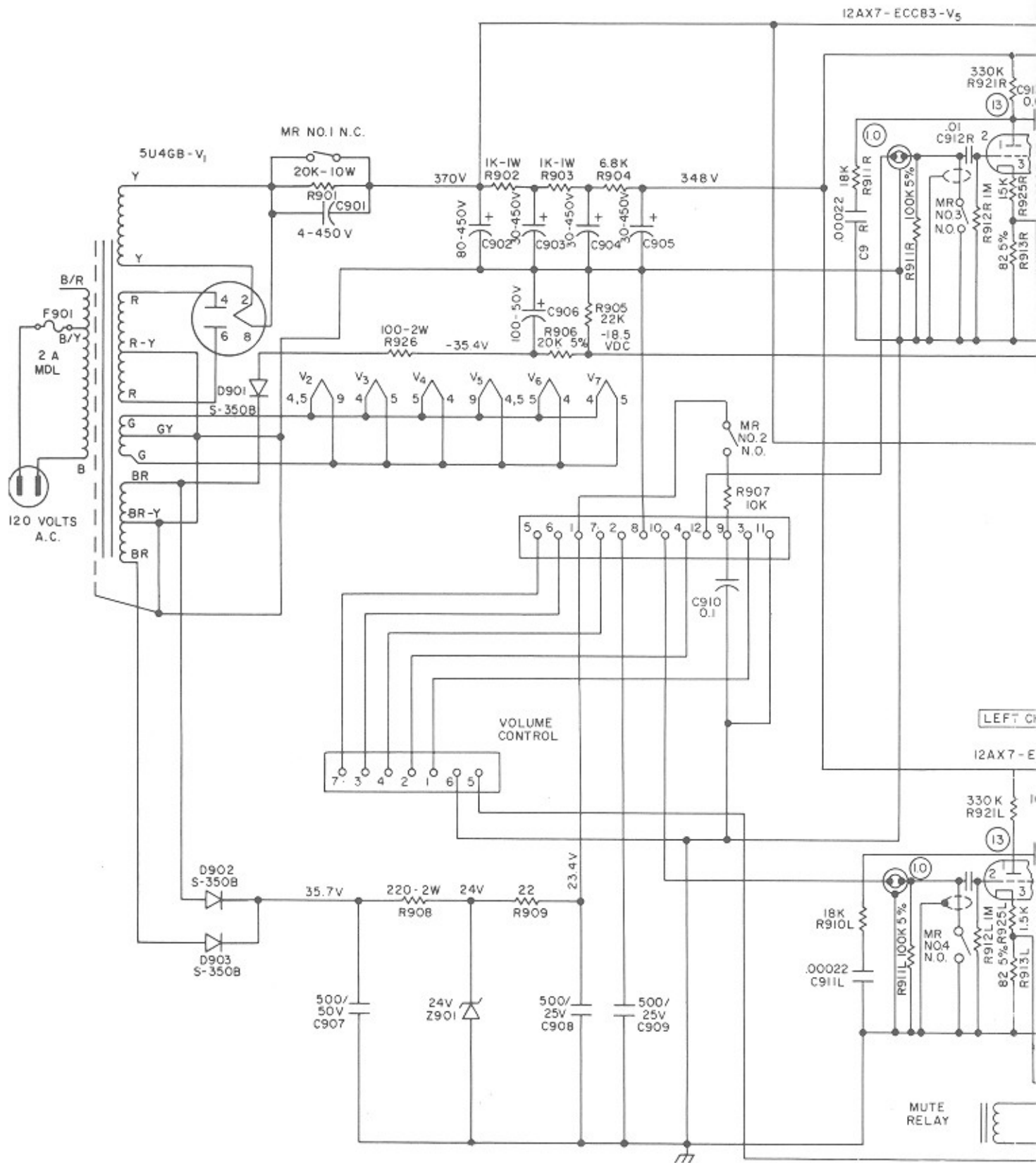
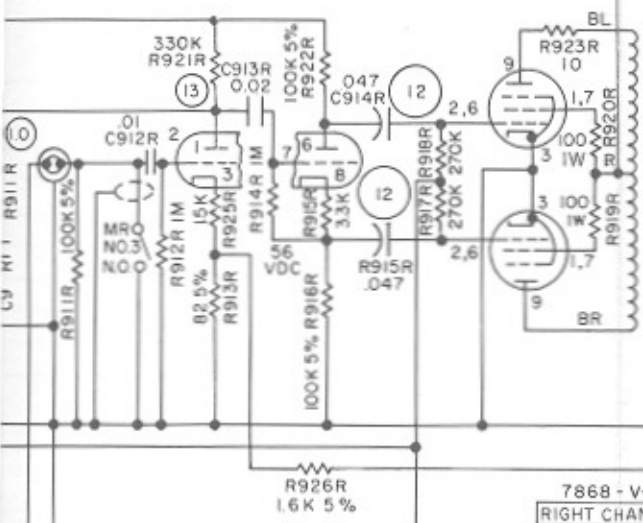


Figure 3-1. MM-6 Phonograph Schematic Diagram



X7-ECC83-V5

7868-V6

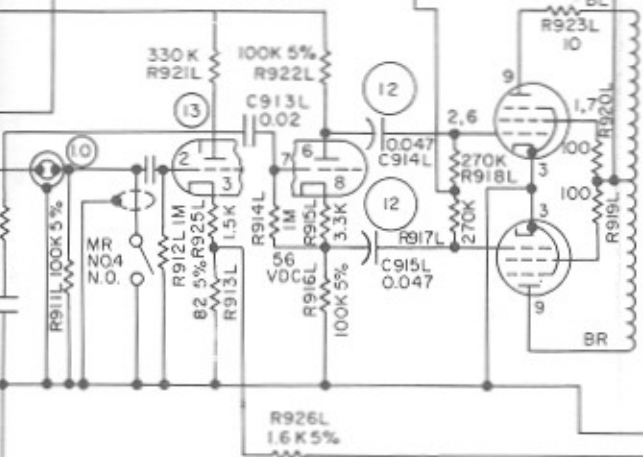


7868-V7  
RIGHT CHANNEL

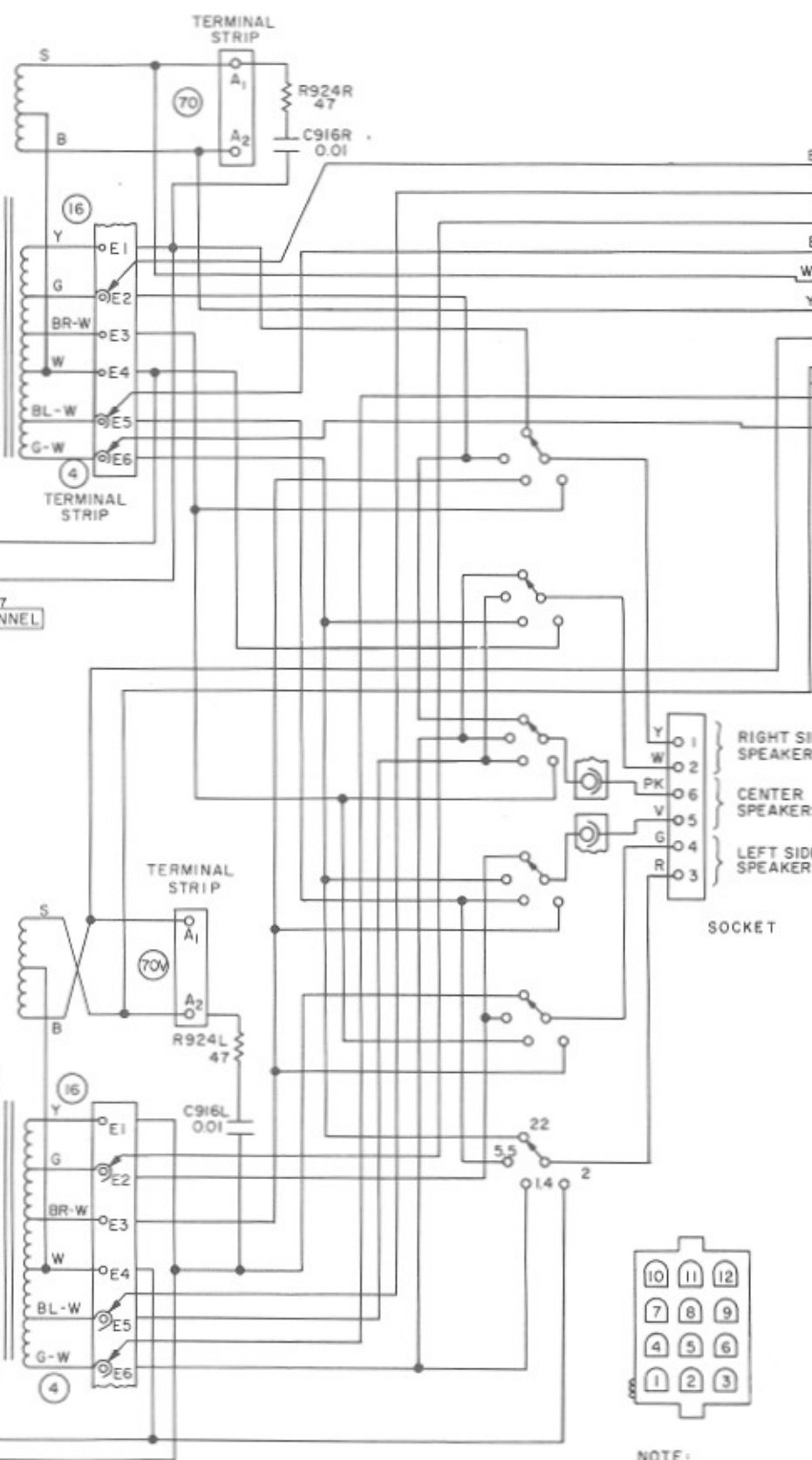
LEFT CHANNEL

12AX7-ECC83-V2

7868-V3



7868-V4



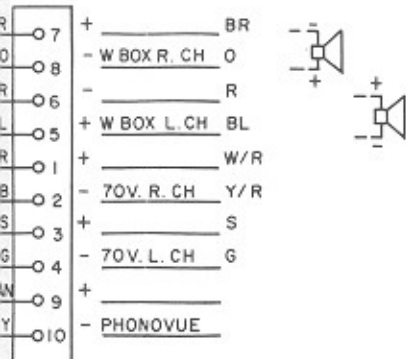
RIGHT SIDE SPEAKER  
CENTER SPEAKER  
LEFT SIDE SPEAKER  
SOCKET



NOTE: SOCKET VIEW IS S UNDER SIDE OF CH



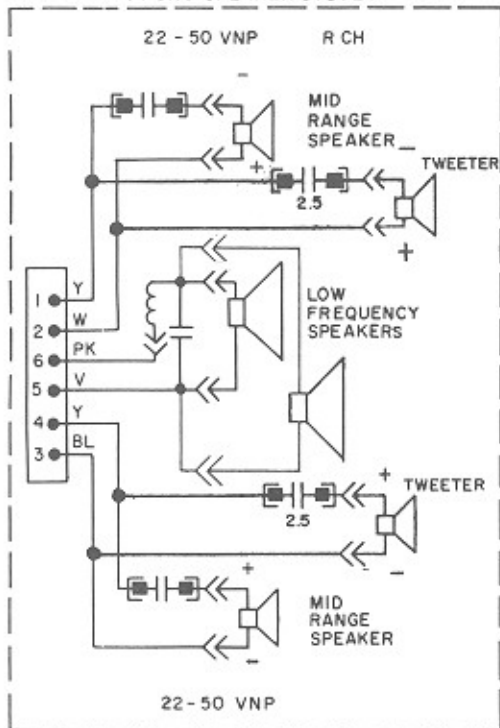
MATE-N-LOK  
EXT SPEAKERS



WIRE COLOR CHART

BL	BLUE	W	WHITE
BR	BROWN	G - W	GREEN - WHITE
B	BLACK	BL - W	BLUE - WHITE
O	ORANGE	BR - W	BROWN - WHITE
S	SLATE	R - Y	RED - YELLOW
Y	YELLOW	R - B	RED - BLACK
G	GREEN	R - G	RED - GREEN
R	RED		

PHONO SPEAKER SYSTEM



D. C. VOLTAGE READINGS

		PIN #1	PIN #2	PIN #3	PIN #4	PIN #5	PIN #6	PIN #7	PIN #8	PIN #9
V <sub>1</sub>	5U4GB		370		320VAC		320 VAC		370	
V <sub>2</sub>	12AX7-ECC83	130	0	1.0			277		60	
V <sub>3</sub>	7868	370	-16.2	0			-16.2	370		369
V <sub>4</sub>	7868	370	-16.2	0			-16.2	370		369
V <sub>5</sub>	12AX7-ECC83	130	0	1.0			277		60	
V <sub>6</sub>	7868	370	-16.2	0			-16.2	370		369
V <sub>7</sub>	7868	370	-16.2	0			-16.2	370		369

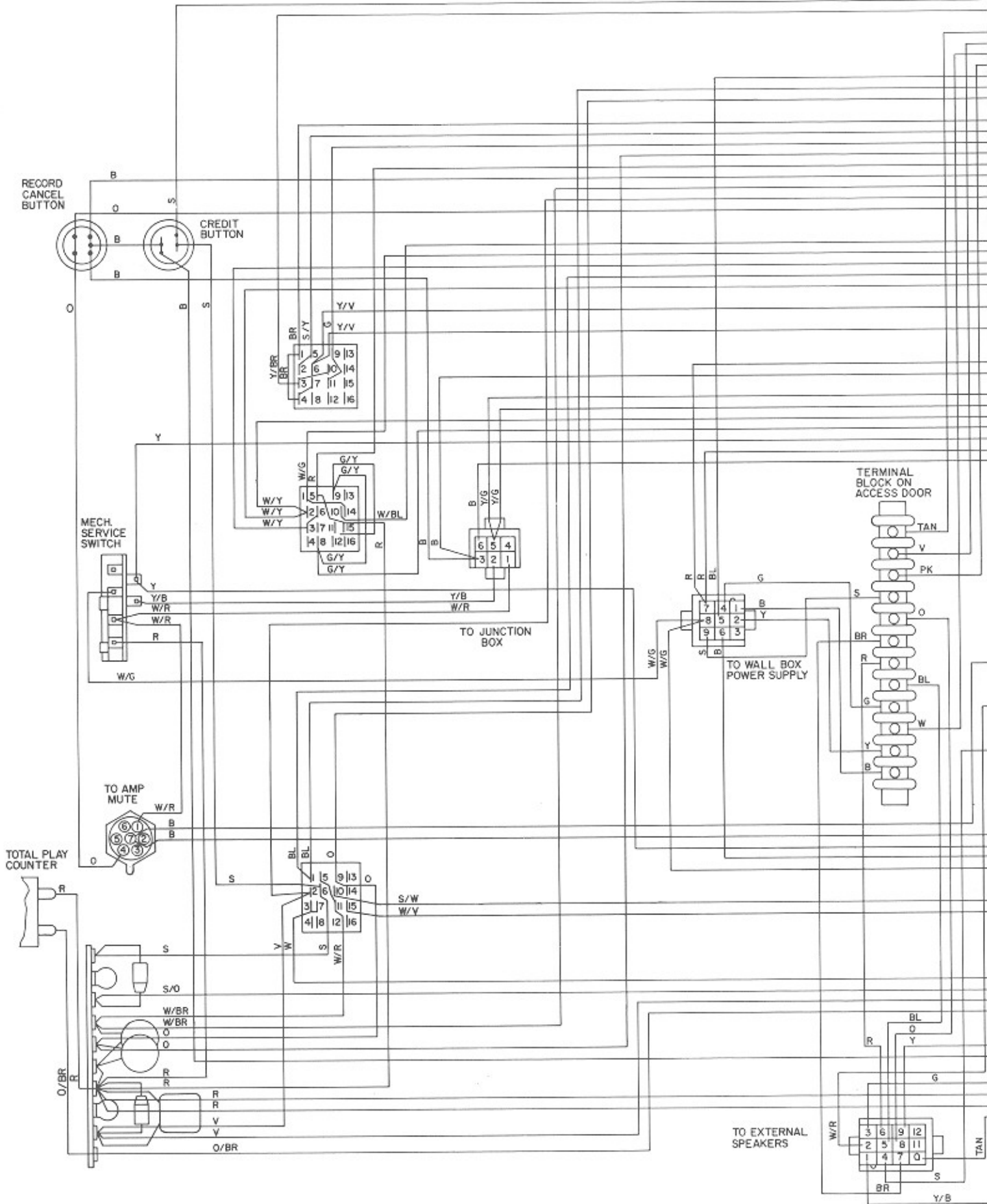
NOTES:

1. D. C. VOLTAGES ARE MEASURED TO CHASSIS USING A 20,000 OHMS PER VOLT METER WITH NO SIGNAL INPUT UNLESS OTHERWISE INDICATED.
2. LINE VOLTAGE IS 120 VOLTS.
3. D. C. MEASUREMENTS TAKEN WITH NO OTHER UNIT CONNECTED.
4. SIGNAL VOLTAGES ARE ENCIRCLED (1.0 V) AND ARE MEASURED TO GROUND USING AN A. C. V.T.V.M. WITH SIGNAL INPUT 1,000CPS.
5. CAPACITANCE IS IN MFD. UNLESS OTHERWISE INDICATED.
6. RESISTANCE IS IN OHMS UNLESS OTHERWISE INDICATED.
7. CAPACITOR VOLTAGE RATINGS 500 V. MINIMUM UNLESS OTHERWISE INDICATED.
8. RESISTORS ARE 1/2 WATT AND ± 10% TOLERANCE UNLESS OTHERWISE INDICATED.
9. POWER LEVEL SWITCH SHOWN IN MAXIMUM POWER POSITION.

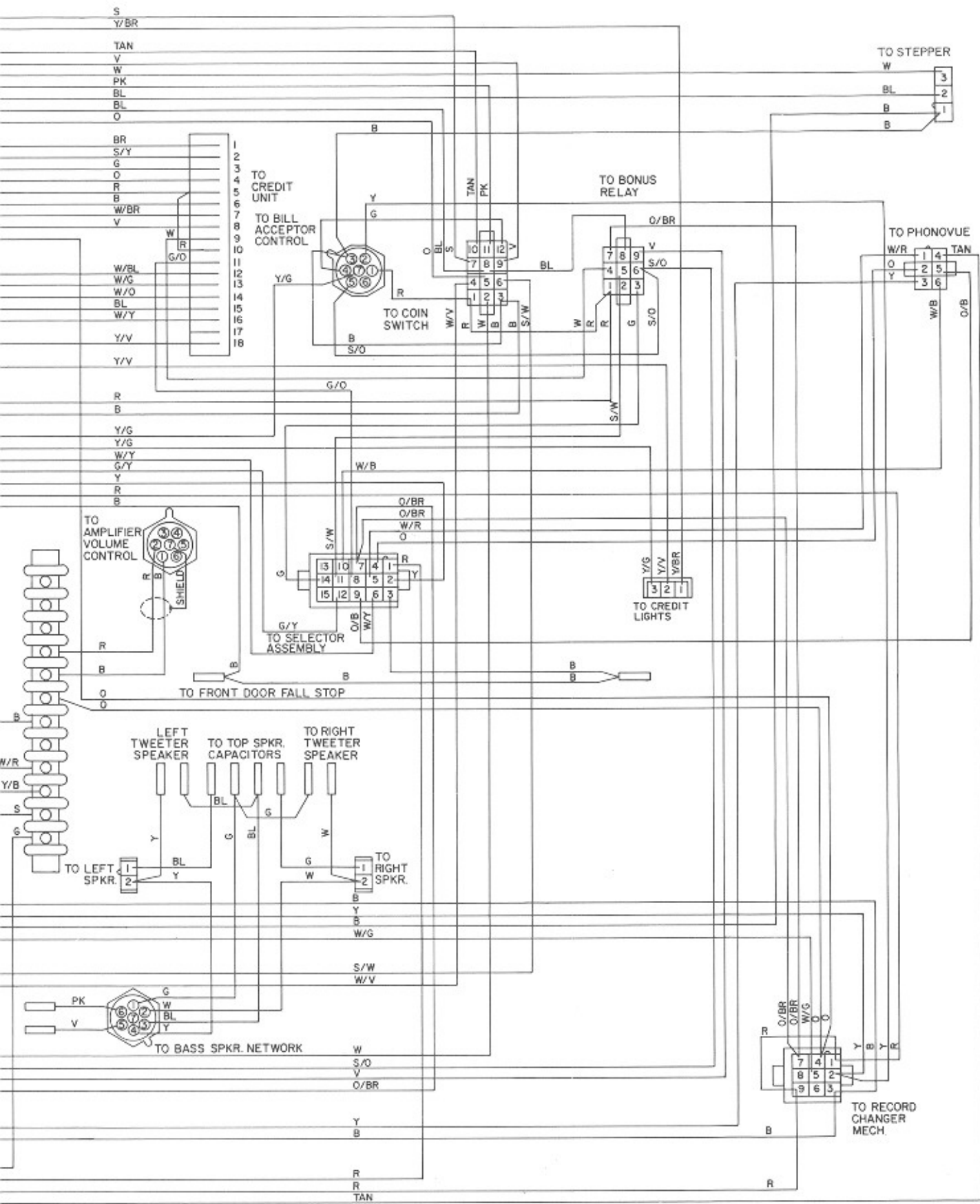
R-4359A-Q-2 [D]

EN FROM  
SSIS

Figure 3-2. 5

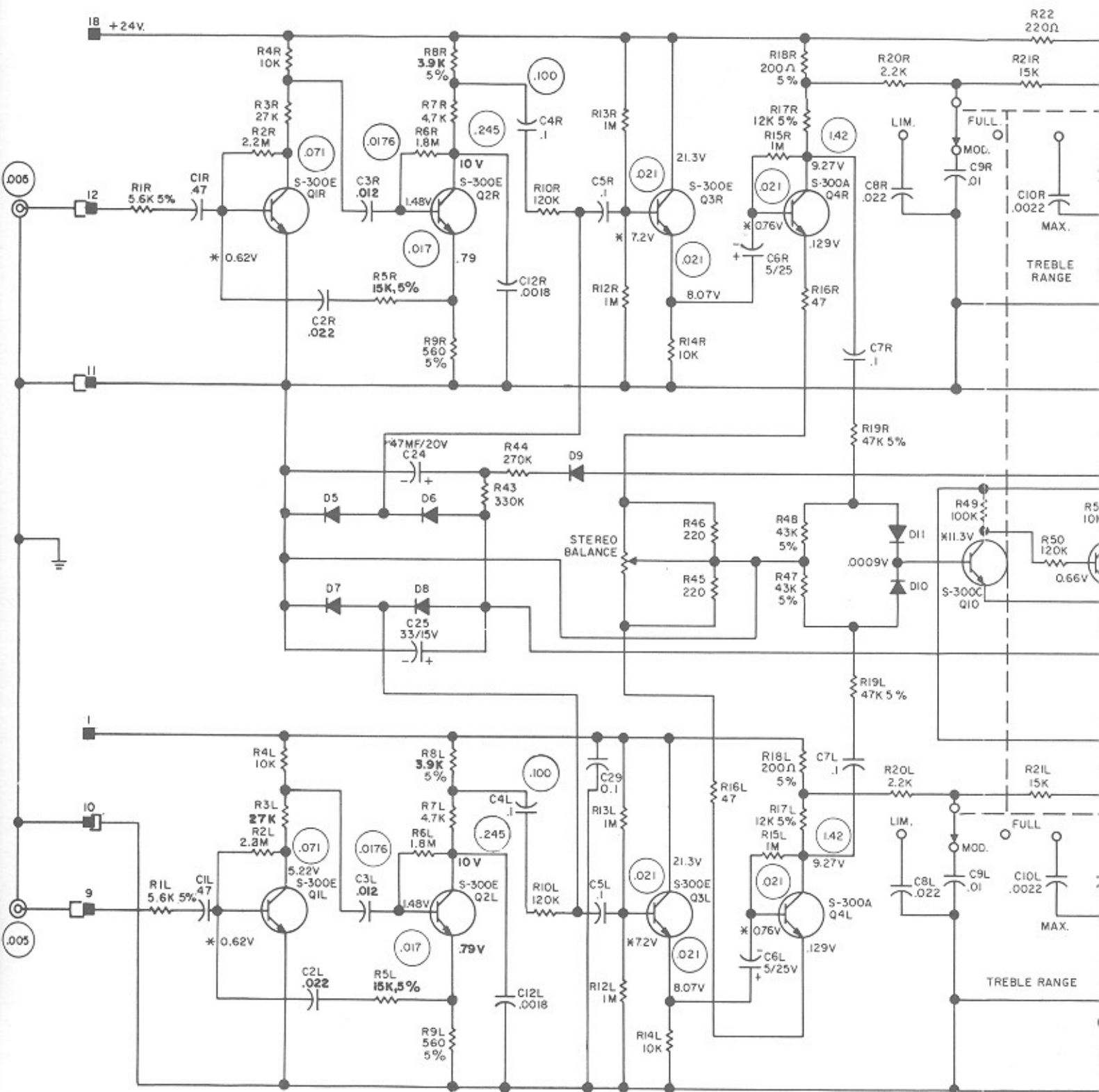




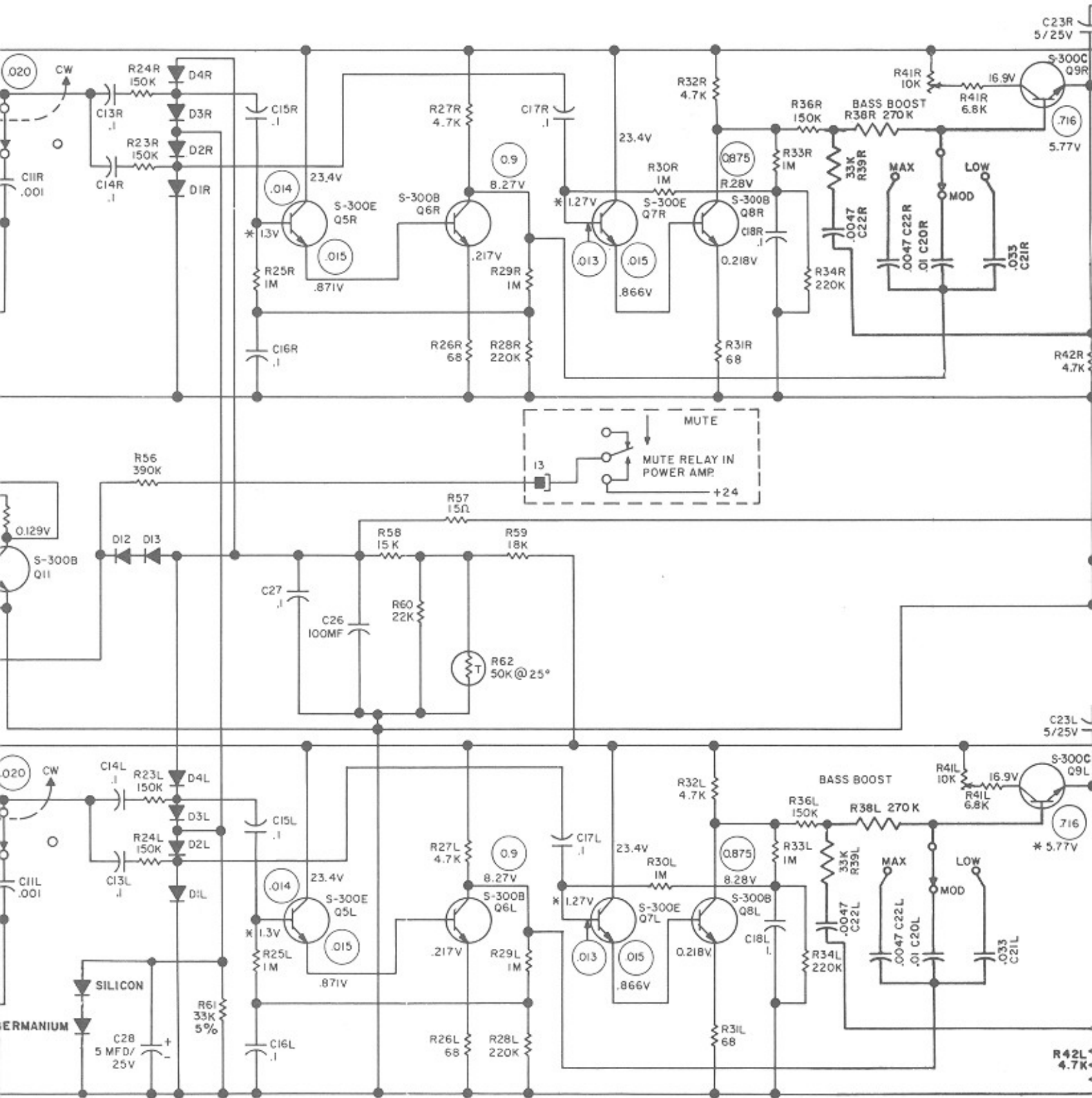


R-5895-A-Q-1 [REL]

Figure 3-3. Phonograph Harness Wiring Diagram

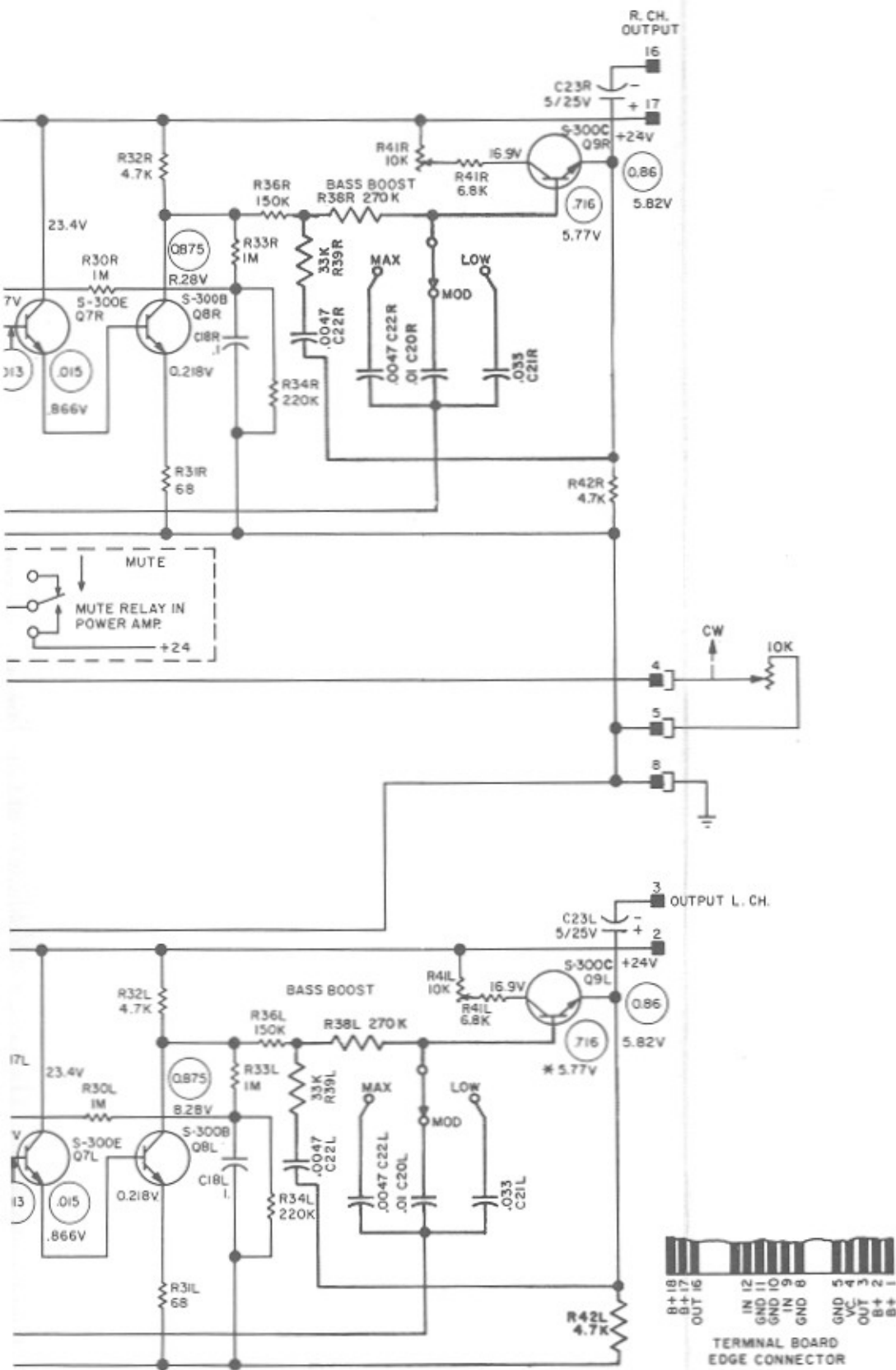


- NOTES:
1. CAPACITOR RATINGS ARE 100V UNLESS OTHERWISE SPECIFIED.
  2. ALL RESISTORS ARE 1/2 WATT AND 10% TOLERANCE UNLESS OTHERWISE SPECIFIED.
  3. CAPACITOR VALUES ARE IN MFD. UNLESS OTHERWISE SPECIFIED.
  4. AC SIGNAL VOLTAGES (CIRCLED) ARE MEASURED AT THE INDICATED POINTS.
  5. THE SIGNAL FREQUENCY IS 1KC, VOLUME CONTROL IS AT 10.



USE SPECIFIED.  
 RANGE UNLESS OTHERWISE SPECIFIED.  
 UNLESS SPECIFIED.  
 TO CHASSIS WITH AN AC VTVM.  
 L AT MAX.

6. TREBLE RANGE CONTROL AT FULL AND BOOST CONTROL AT MOD.
7. DC VOLTAGES ARE AS INDICATED BY AN 11 MEGOHM VTVM AND ARE APPROXIMATE FOR A 20,000 OHMS PER VOLT METER.
8. NO INPUT SIGNAL.
9. \* INDICATES VOLTAGE SEVERELY AFFECTED BY LOADING WITH 20000 OHMS PER VOLT METER.

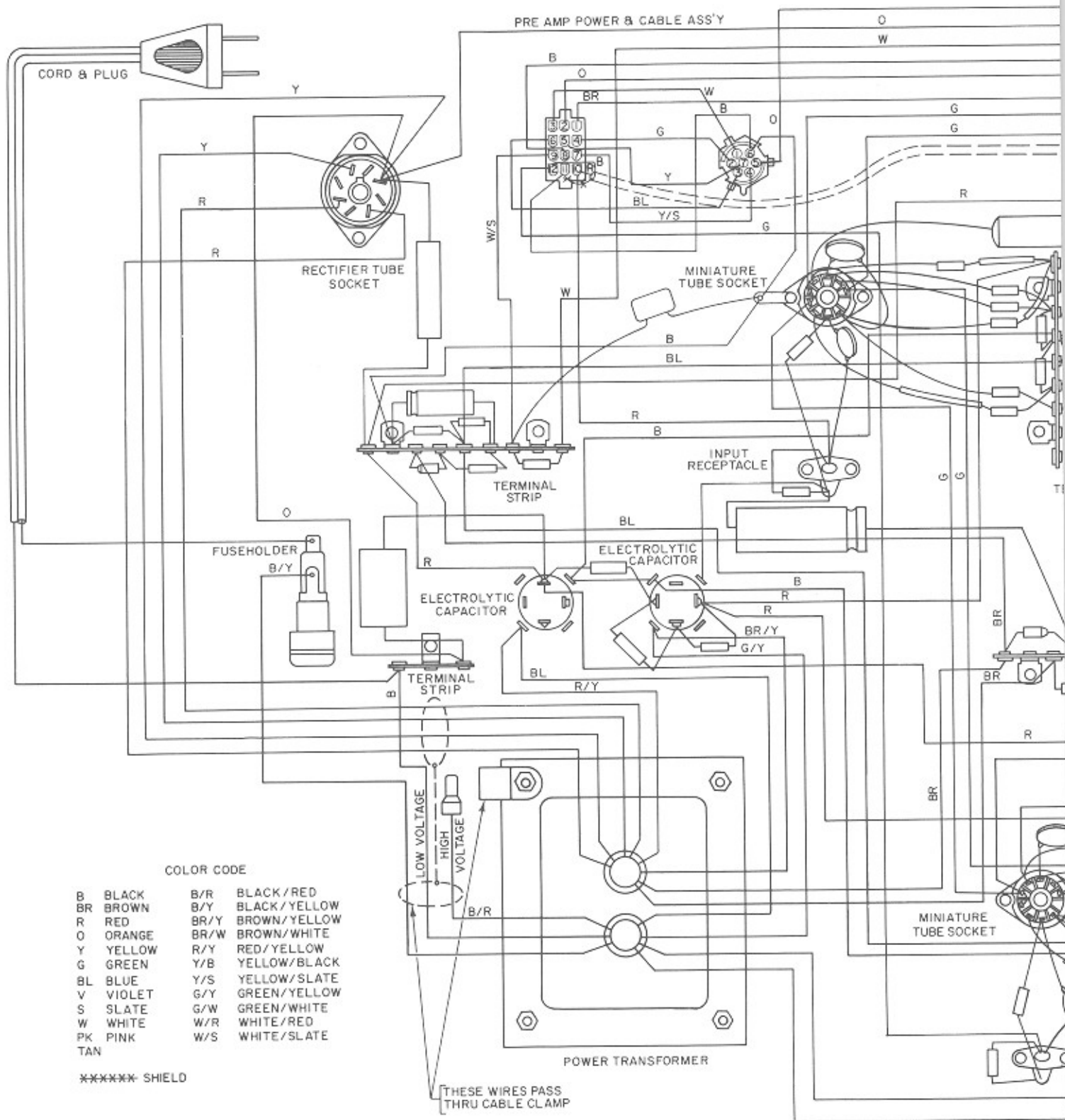


IT CONTROL AT MOD.  
30HM VTVM AND ARE  
R VOLT METER.

CTED BY LOADING  
R.

R3756B-Q-2 REL

Figure 3-5. Pream



COLOR CODE

B	BLACK	B/R	BLACK/RED
BR	BROWN	B/Y	BLACK/YELLOW
R	RED	BR/Y	BROWN/YELLOW
O	ORANGE	BR/W	BROWN/WHITE
Y	YELLOW	R/Y	RED/YELLOW
G	GREEN	Y/B	YELLOW/BLACK
BL	BLUE	Y/S	YELLOW/SLATE
V	VIOLET	G/Y	GREEN/YELLOW
S	SLATE	G/W	GREEN/WHITE
W	WHITE	W/R	WHITE/RED
PK	PINK	W/S	WHITE/SLATE
TAN			

\*\*\*\*\* SHIELD

THESE WIRES PASS THRU CABLE CLAMP

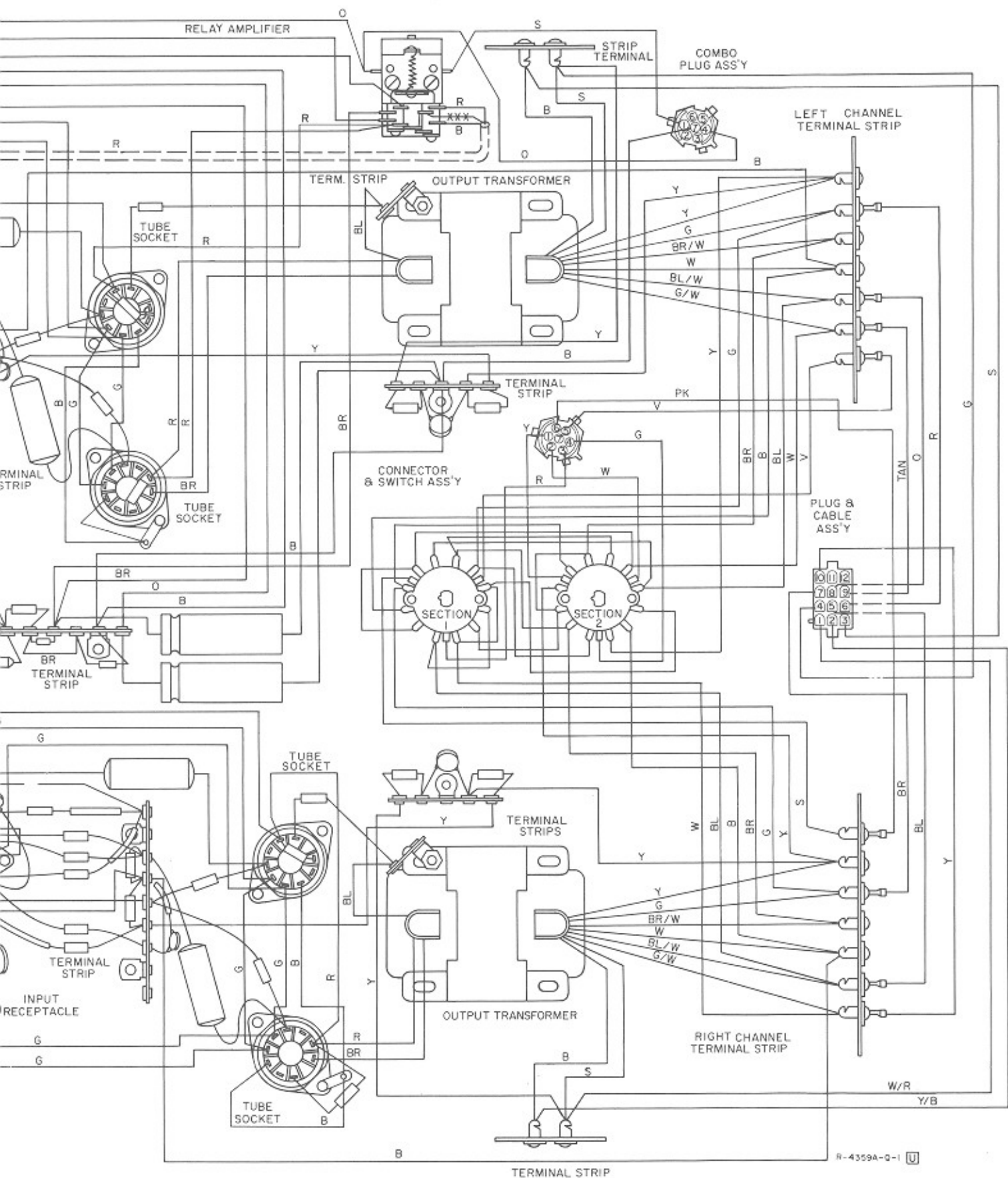
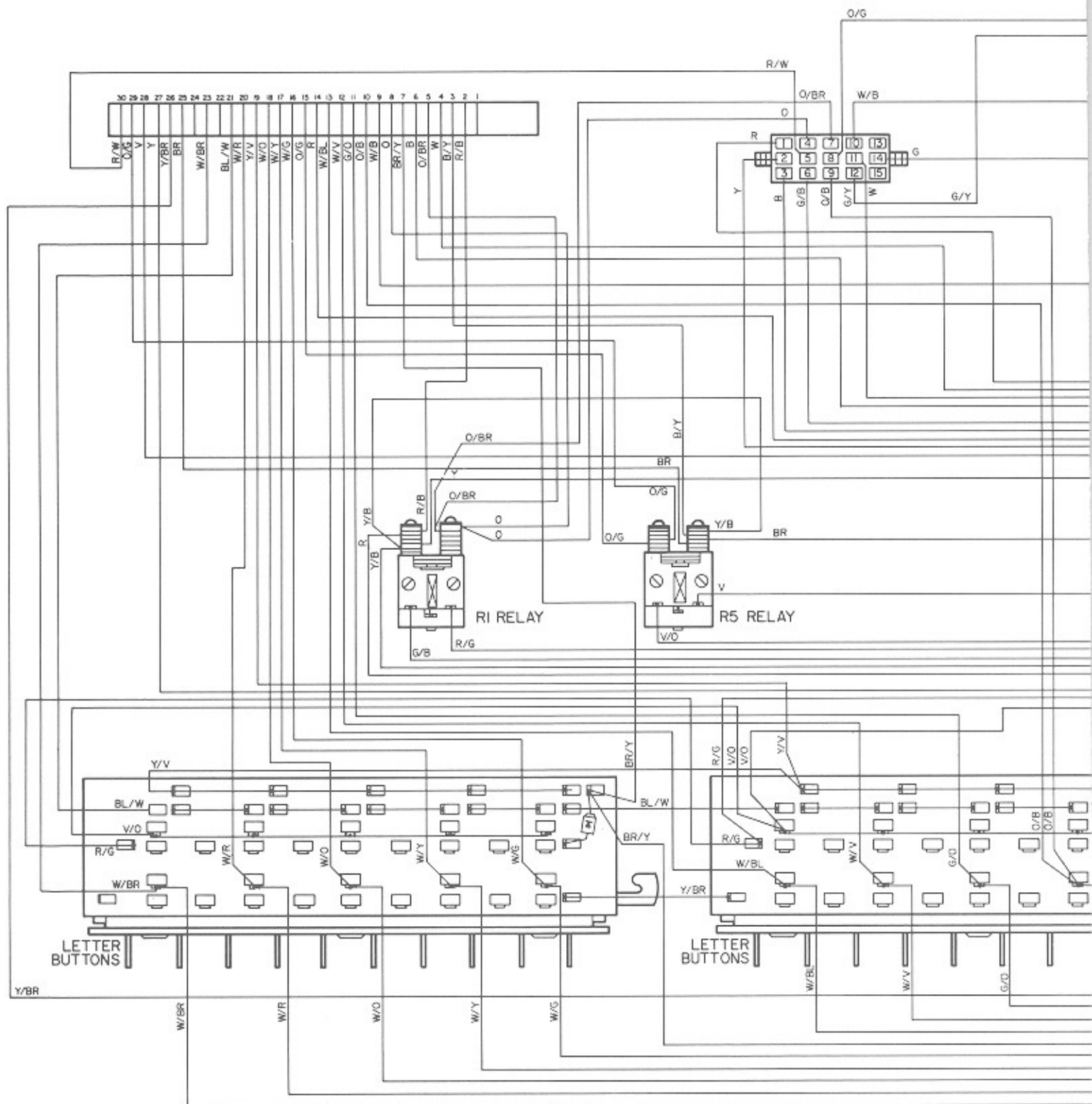


Figure 3-6. 50 W Power Amplifier Wiring Diagram



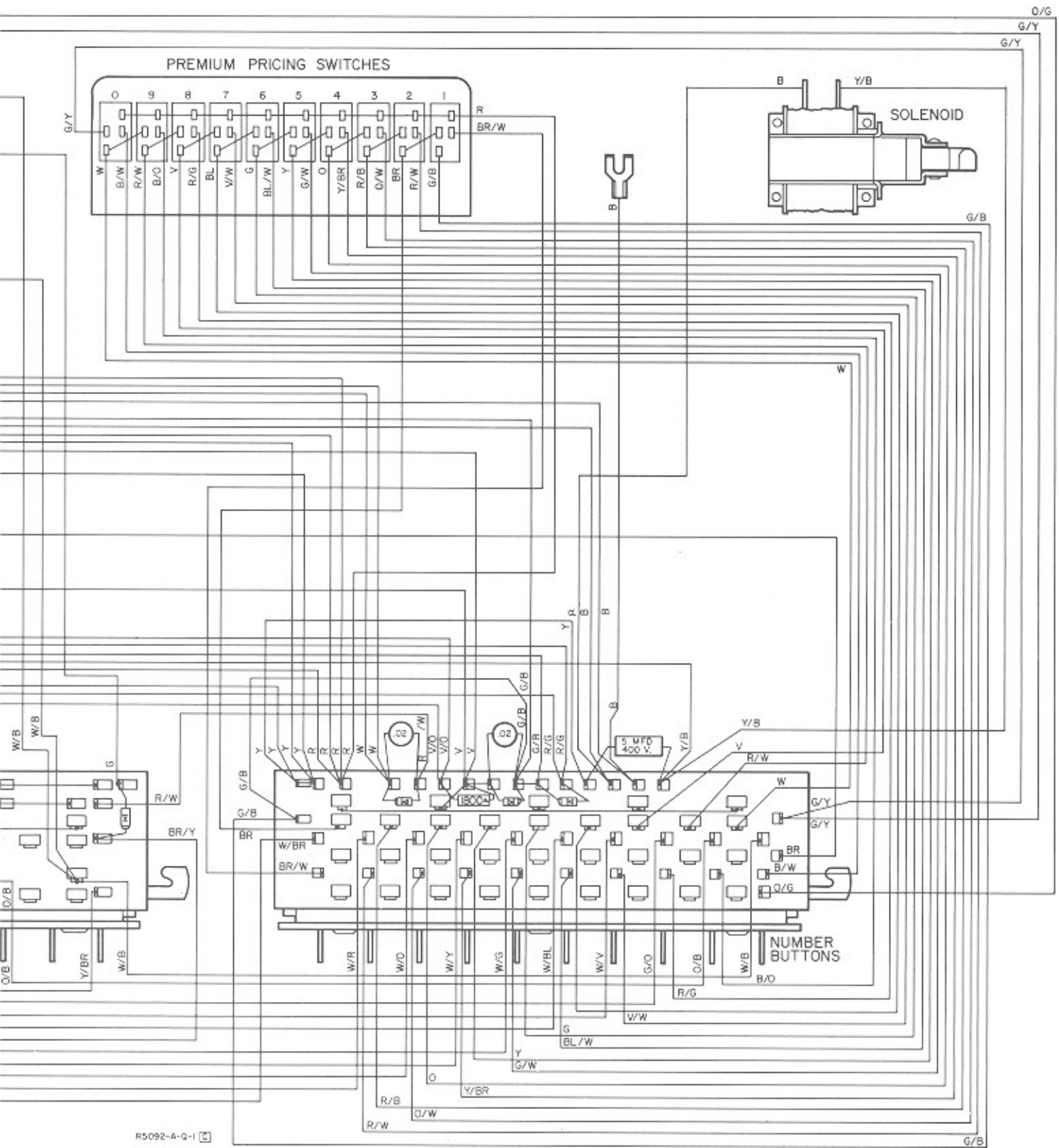


Figure 3-7. Selector Assembly Wiring Diagram



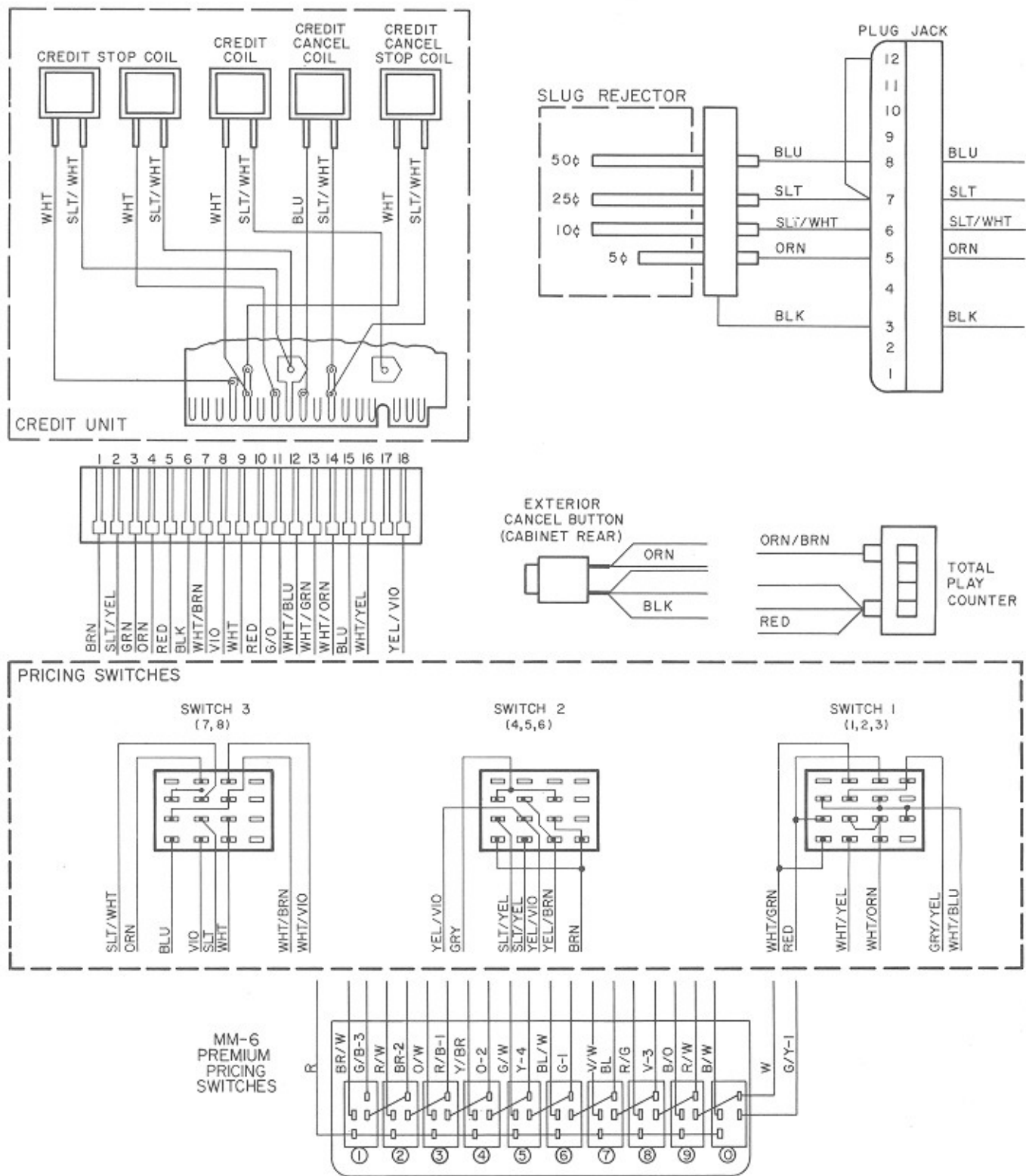


Figure 3-13. Credit and Pricing System Wiring Diagram

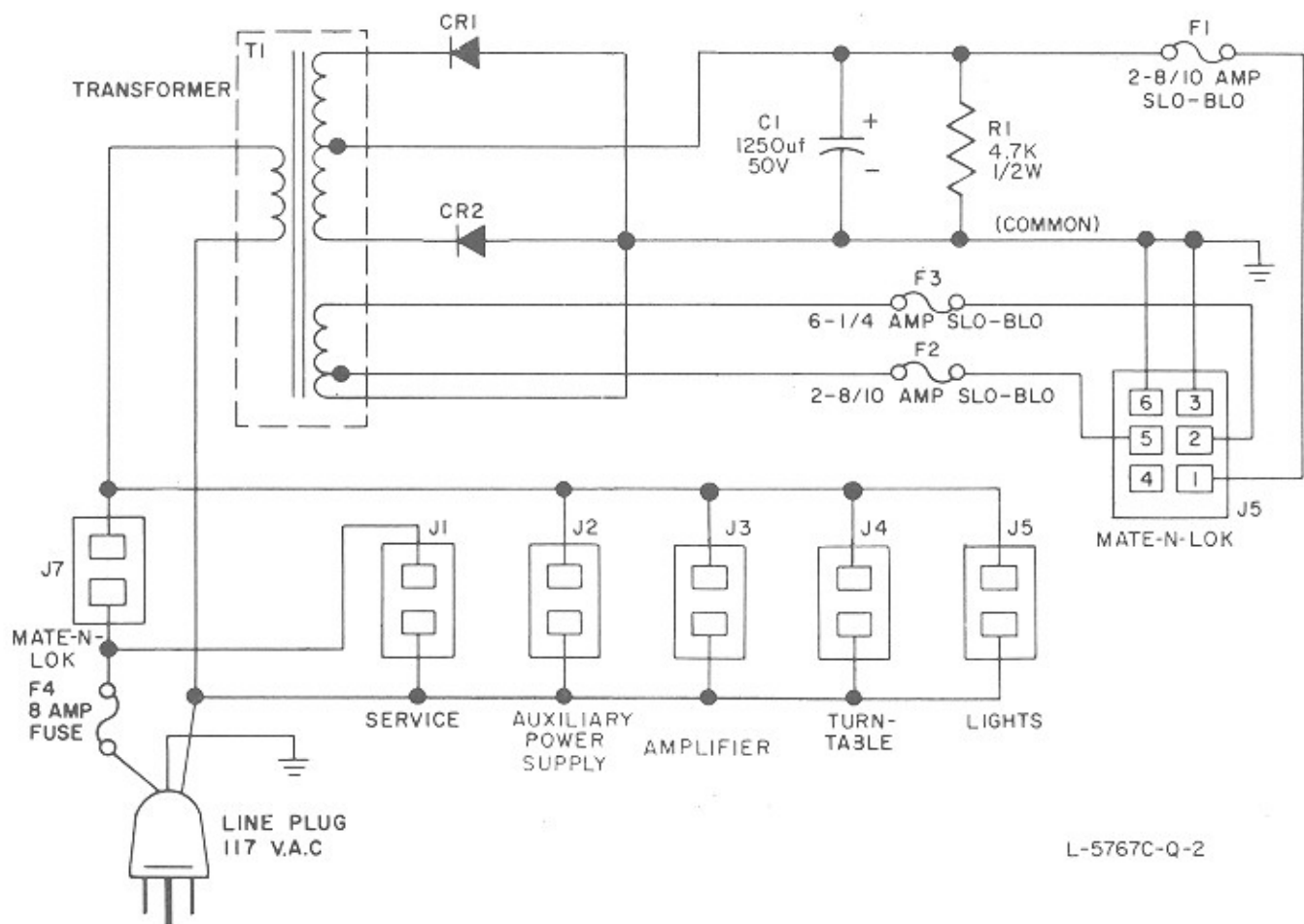
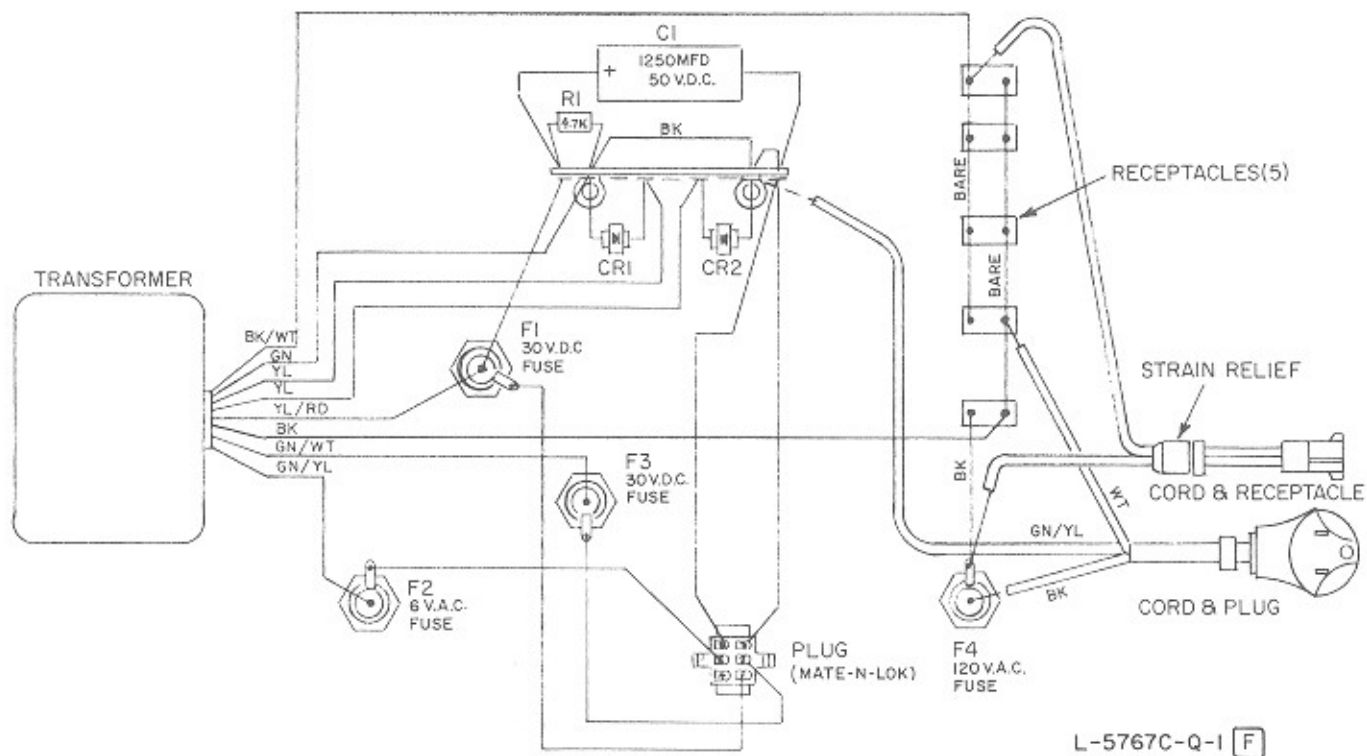


Figure 3-14. Junction Box Wiring Diagram and Schematic