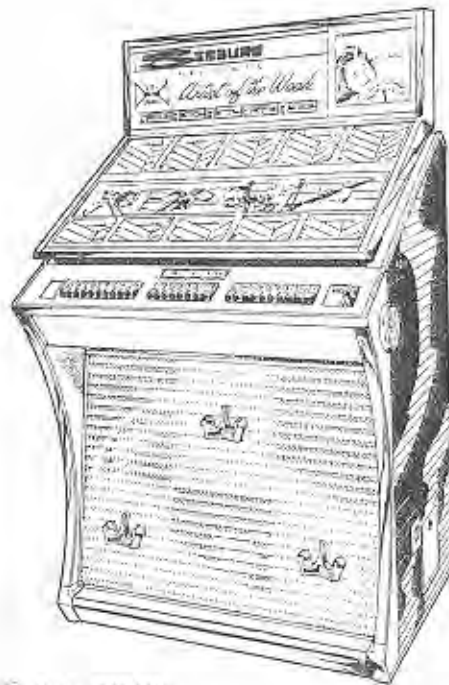
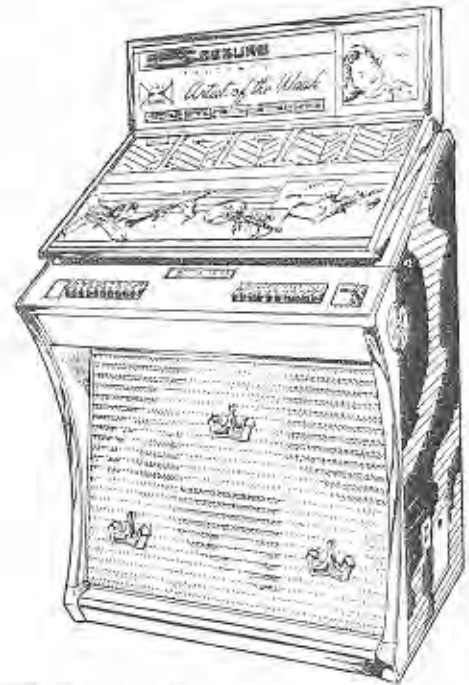


# INDEX

## SELECT-O-MATIC "160" AND SELECT-O-MATIC "100"



AY160 & AY160U



AY100 & AY100U

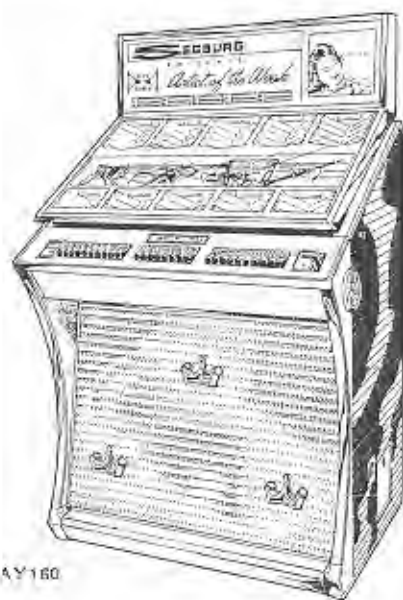
SPECIFICATIONS .....	1411	Auto Speed Unit .....	13018
ADJUSTMENTS		Auto Speed Unit - Transistorized .....	13026
Auto Speed Unit, ASU1 .....	13017	Auto Speed Unit Power & Control Wiring .....	13016
Auto Speed Unit - Transistorized, TASU1 .....	13024	Auto Speed Unit - Transistorized - Power & Control Wiring .....	13022
Coin Switches .....	1427	Cabinet Cabling .....	1428
Credit Accumulators, CAU1 & CAU5 .....	16036	Credit Accumulators, CAU1 & CAU5 .....	16039
Electrical Selectors, AY100 & Y100 Models .....	3141	Credit System .....	1419, 1421, 1423, 1425
Electrical Selectors, AY160 & Y160 Models .....	3145	Electrical Selector (Tormat), TES106 .....	3144
Electrical Selectors, AY100U Models .....	3153	Electrical Selector (Tormat), TES165 .....	3151
Electrical Selectors, AY160U Models .....	3157	Electrical Selector (Tormat), TES107 .....	3156
Mechanism .....	24271	Electrical Selector (Tormat), TES167 .....	3163
Pricing Unit - Half Dollar, HDU1 .....	16028	Junction Unit (Tormat) .....	13013
Pricing Unit - Single, SPU1 .....	16010	Mechanism .....	2468E
Pricing Unit - Single, SPU1H .....	16014	Pricing Unit - Half Dollar .....	16029
Pricing Unit - Universal .....	16034	Pricing Unit - Single, SPU1 .....	16011
Step Switch .....	16031	Pricing Unit - Single, SPU1H .....	16015
ASSEMBLY DATA		Pricing Unit - Universal .....	16047
Cam & Gear Segment .....	2430	Read-Out Circuits .....	1417
Clamp Arm .....	2432	Remote Control Stepper Unit .....	16034
Clutch .....	2433	Selector Unit (Tormat) .....	13012
Transfer Arm .....	2432	Speaker Circuits .....	1427
Turntable, Shaft & Gear .....	2431	Speakers, Twin Stereo, TW1 & TC1 .....	7051
LUBRICATION CHART .....	2468A	Speakers, Twin Stereo, TR1 .....	7053
DIAGRAMS		Speakers, Twin Stereo, EBTCT1 .....	7055
Amplifier, Type SHFA3 .....	4084	Trip & Sensing Circuits .....	1418
Amplifier, Types C1HFA2 & C2HFA2 .....	4088	Volume Control, Automatic, AVCU10 .....	8029
Amplifier, Type SHFA4 .....	4092	Volume Control, Powered Remote, PRVC1 .....	8027
		Volume Control, Powered Remote, PRVC2 .....	8033
		Write-In Circuits .....	1414, 1415

# SEEBURG

## SELECT-O-MATIC AY100, AY160, Y100 and Y160 MODELS



AY100



AY160

The Select-O-Matic AY100 and AY160 Models are coin-operated phonographs for selective playing of 45 rpm and 33-1/3 rpm, 7-inch monaural and stereophonic records. The two models differ in the record capacity and the resultant title strip arrangement and in the selector key panel. The AY100 Model is for 100 selections; the AY160 Model is for 160 selections. Both models are equipped for stereophonic sound reproduction but monaural records may also be used. The basic models are set up with non-accumulative 5, 10 and 25 cent coin equipment and no stepper is included for operation with remote control Wall-O-Matics. Accessory equipment is available for expansion of these basic models to include 50-cent coin operation and for remote control operation.

The Y100 and Y160 Models are similar to the respective "AY" Models but the standard equipment of the basic models is for operation only with 45 rpm records and monaural sound. The basic "Y" Models are equipped with non-accumulative 5, 10 and 25 cent coin equipment and are without remote control facilities. Accessory equipment is available for conversion of these basic models for stereophonic sound, for 50-cent coin operation, for operation from remote control Wall-O-Matics, and for operation with 33-1/3 rpm 7-inch records.

The difference in the appearance of the Y and

AY Models is in the display panel above the title strip holders. The AY models feature "Artist of the Week" programming to stimulate equipment use and earnings.

An accumulative credit unit is available to replace the non-accumulative credit units in both the "Y" and "AY" Models. The accumulative credit unit may also be used if dual selection pricing is desired.

The titles for the records are displayed on standard size dual title strips. They are back lighted by fluorescent lamps that also illuminate the mechanism, the selector keys, and the speaker grille.

The Seeburg Stereophonic Magnetic Pickup is standard equipment on all models and will operate with monaural as well as stereophonic records. It assures long record life and high quality reproduction unaffected by temperature or humidity conditions. The sound equipment for all models, whether monaural or stereophonic, consists of a high-fidelity audio amplifier connected to two 12-inch speakers. Terminal strips are provided for connection to external speakers. Provision is made in these amplifiers for the addition of an accessory automatic volume compensator that will provide uniform volume level from a wide variation of loudness of records. Provision is also made for remote volume control.

The popularity meter is part of the mechanism and indicates the number of times (up to 40) each record has been played. A selection counter is part of the credit system and totals the number of selections made. The counter total includes selections made at the phonograph and through the remote control Wall-O-Matics if they are used.

A Tormat Selector Unit is the power distribution and control circuit junction for all models. It has sockets for plug-in connections for the mechanism, cabinet lighting and some of the control circuits. It also provides mounting space for a remote control stepper unit if remote control

facilities are added.

The Tormat Selector Unit and the audio amplifier equipment are mounted on the rear cabinet door. The door is hinged at the side to give access to the cabinet interior and to tubes, plugs, tone controls, and all connections.

A selection cancel switch is operated by a push button on the back of the rear door. A remote cancel switch may be connected to terminals on the Tormat Selector Unit where a switching link is located to permit either the remote cancel switch, the included switch, or both, to be used.

### SPECIFICATIONS

**Power Requirements:**

117 volts A.C., 60 cycles

**Standby    Operating**

45 rpm Phonograph with RCSU2... 150W    285W  
2-Speed Phonograph with RCSU2... 217W    485W

**Cabinet Lighting**

25 watt, 28 inch Cool White Fluorescent Lamps  
(FS25 Starter)

**Cabinet Key Number** ..... F264

**Select-O-Matic Mechanism:**

AY160 & Y160 - Type 160ST5  
AY100 & Y100 - Type 145ST7

**Tormat Memory Assembly:**

AY160 & Y160 - Type 160TM1  
AY100 & Y100 - Type 100TM3

**Record Capacity:**

AY160 & Y160..... 80 Records (160 Selections)  
AY100 & Y100..... 50 Records (100 Selections)

**Record Type:**

45 rpm, 7 inch diameter.  
With 33-1/3 Auto Speed Unit - 45 rpm, 7 inch dia.  
and 33-1/3 rpm, 7 inch dia.

**Pickup**.....Seeburg Stereophonic High Fidelity Magnetic

**Phonograph Speakers**, 2 heavy duty 12 inch permanent magnet.

**Finish**..... Satin silver on ebony

**Coin Equipment:**

5, 10 & 25¢.....Type SPUI, Single Pricing Unit or  
Type CAU1, Credit Accumulator Unit.  
5, 10, 25 & 50¢Type SPUIB, Single Pricing Unit,  
Type CAU1, Credit Accumulator Unit  
and Type HDU1, Half Dollar Unit.

**Audio Amplifier:**

(Stereo) Type SHFA3    (Monaural) Type C1HFA2

**Tormat Electrical Selector:**

AY160 & Y160 - Type TES165  
AY100 & Y100 - Type TES106

**Tormat Selector Unit**..... Type TSU3  
With Remote Control Stepper Unit, Type RCSU2, or  
With Tormat Junction Unit, Type TJU2.

**Remote Speakers:**

Twin Stereo Speakers, Type TW1-B, TR1-B,  
EBYCI-12

**Transistors:**

Amplifier Type SHFA3    Amplifier Type C1HFA2  
2-2N591    1-2N591

**Tubes:**

Amplifier Type SHFA3    Amplifier Type C1HFA2  
1-6EU7    1-7199  
2-7199    2-6973  
4-6973    1-5Y3-GT  
1-5U4-GB    1-6EU7

(In Models with Remote Control,  
Stereo & Auto-Speed Units)

**Auto-Speed Unit ASU:**    Tormat Selector Unit TSU3  
2-6L6-GC    1-6X4  
2-12BH7-A    2-0A2  
1-0A2    2-2050  
1-5U4-GB

**Fuses:**

1-5 amp. Type MFB    (Tormat Selection Unit)  
1-3.2 amp. Type GMQ 3-2/10 (Remote Control Stepper  
Unit)  
1-5 amp. Pig Tail Fuse Type H1V (Select-O-Matic  
Mechanism)

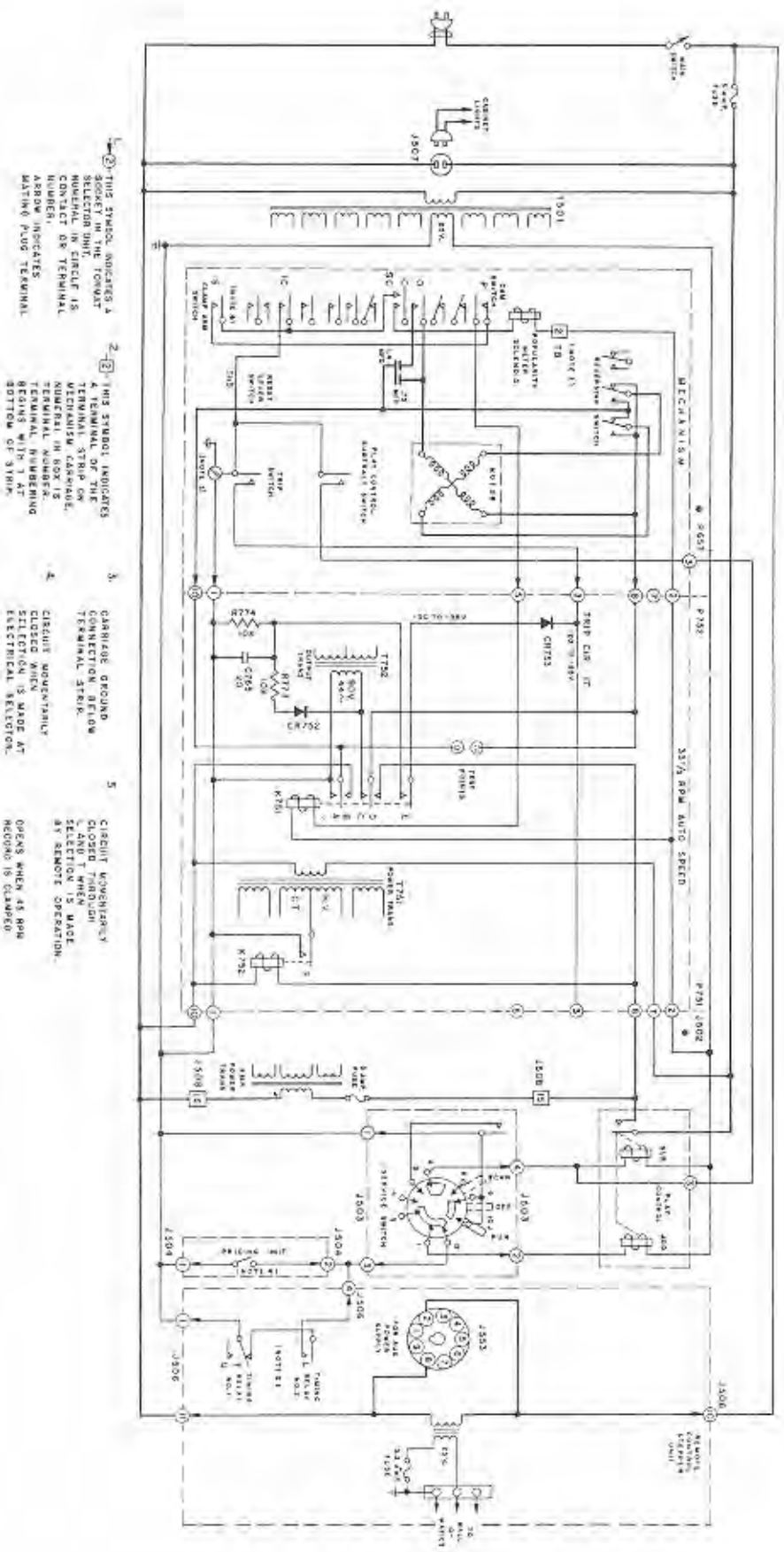
**Dimensions:**

	AY160 & Y160	AY100 & Y100
Height.....	56½ inches	56½ inches
Width.....	32½ inches	32½ inches
Depth.....	24½ inches	24½ inches
Net Weight.....	320 pounds	310 pounds
Shipping Weight.....	355 pounds	345 pounds

**Accessory Equipment Kits:**

Part No. 508700 PRVC1 Powered Remote Volume Control.  
Part No. 508680 AVCU10 Automatic Volume Control  
Part No. 508472 "Y" Stereo Kit (C2HFA2)  
Part No. 508770 Half Dollar Kit  
Part No. 508500 RCSU2 Remote Control Stepper Kit  
Part No. 508480 33-1/3 Auto-Speed Unit, 33-1/3 ASU1  
Part No. 508780 Dual Pricing Kit (DPU1)  
Part No. 508490 Credit Accumulator Kit (CAU1)

SELECT-O-MATIC AY100, AY160, Y100 and Y160 MODELS

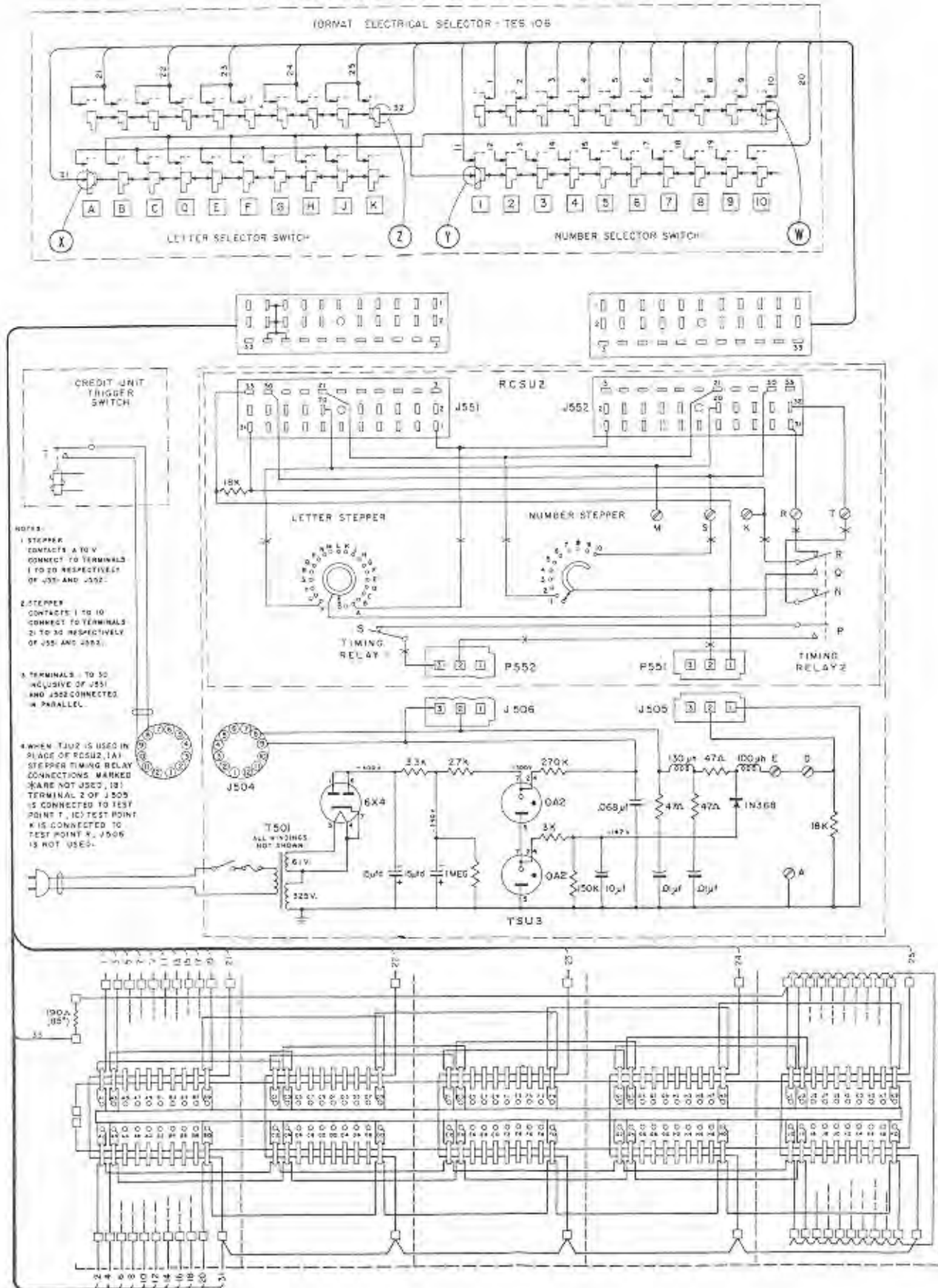


1. THIS SYMBOL INDICATES A SOCKET IN THE FORWARD SELECTOR UNIT. GENERAL IN CIRCUIT IS NUMBERED BY TERMINAL NUMBER. ARROW INDICATES MATING PLUG TERMINAL.
2. THIS SYMBOL INDICATES A TERMINAL OF THE TERMINAL STRIP OR MECHANISM CARTRIDGE. NUMBERED IN BOX IS TERMINAL NUMBER. REGION WILL BE INDICATED BOTTOM OF SYMBOL.
3. SHOWN AS GROUND CONNECTION TERMINAL STRIP.
4. CIRCUIT IDENTIFICATION SYMBOLS MADE AT ELECTRICAL SELECTION.
5. CIRCUIT IDENTIFICATION SYMBOLS MADE AT ELECTRICAL SELECTION BY REMOTE OPERATION.

Power and Control Wiring with 33-1/3 RPM. Auto-Speed Unit. (AY100 & AY160 Models)  
*\*In Y100 & Y160 Models, Mechanism Plug, P657 is plugged into TSU socket J502.*

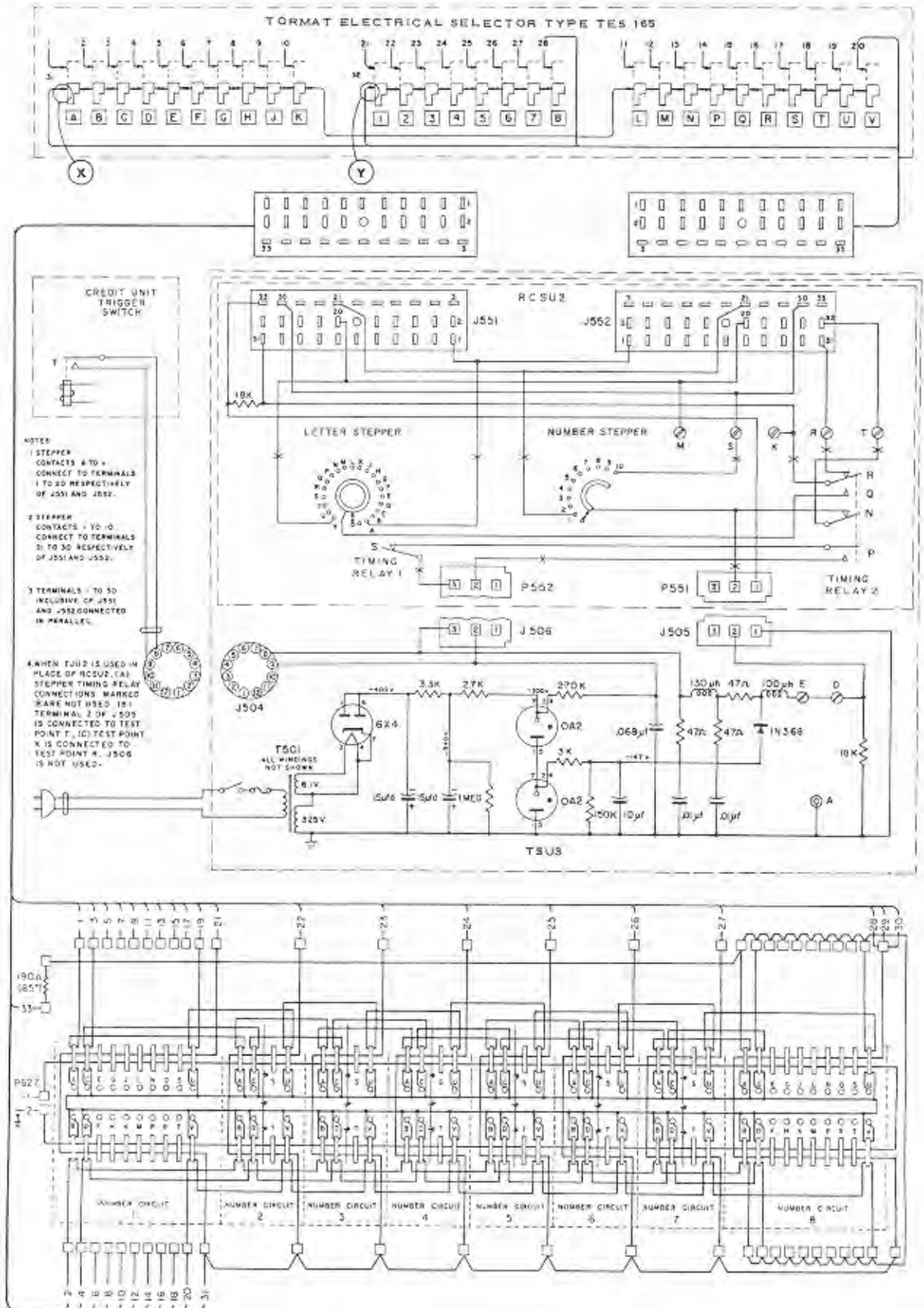
SELECT-O-MATIC AY100, AY160, Y100 and Y160 MODELS

WRITE-IN CIRCUITS, AY100 & Y100 MODELS



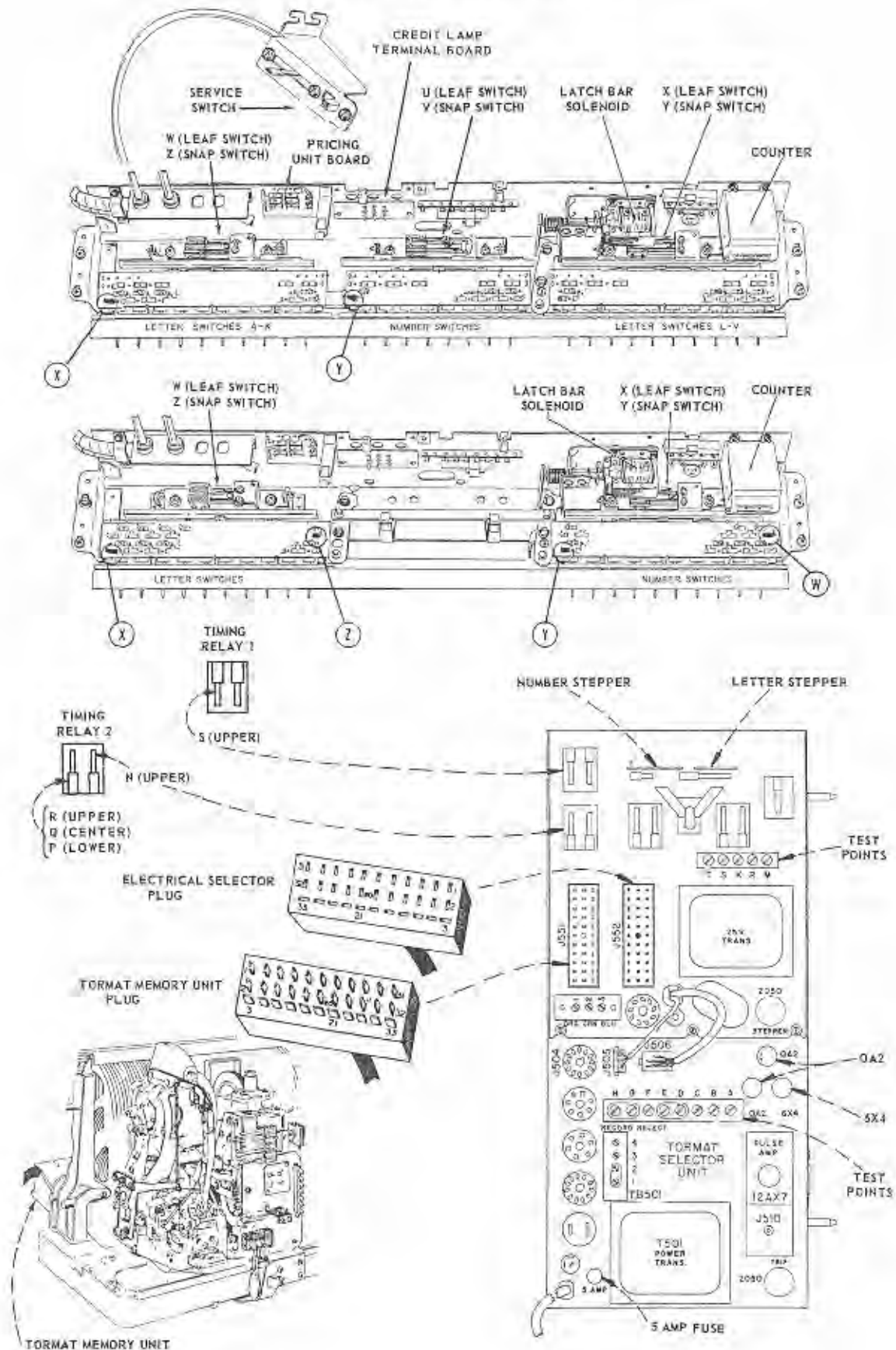
# SELECT-O-MATIC AY100, AY160, Y100 and Y160 MODELS

## WRITE-IN CIRCUITS, AY160 & Y160 MODELS



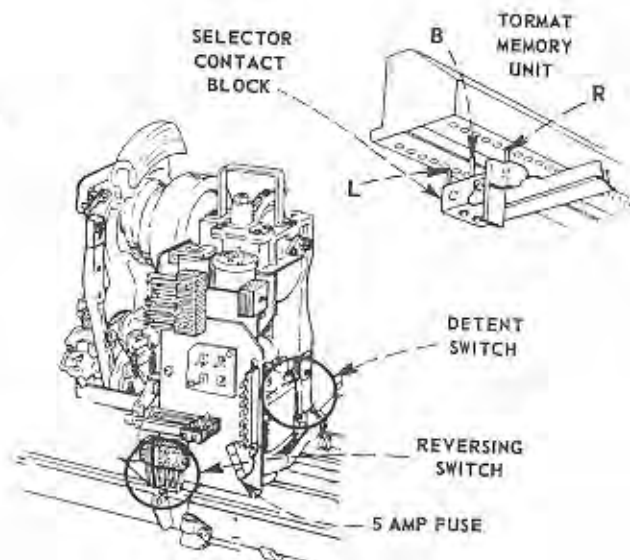
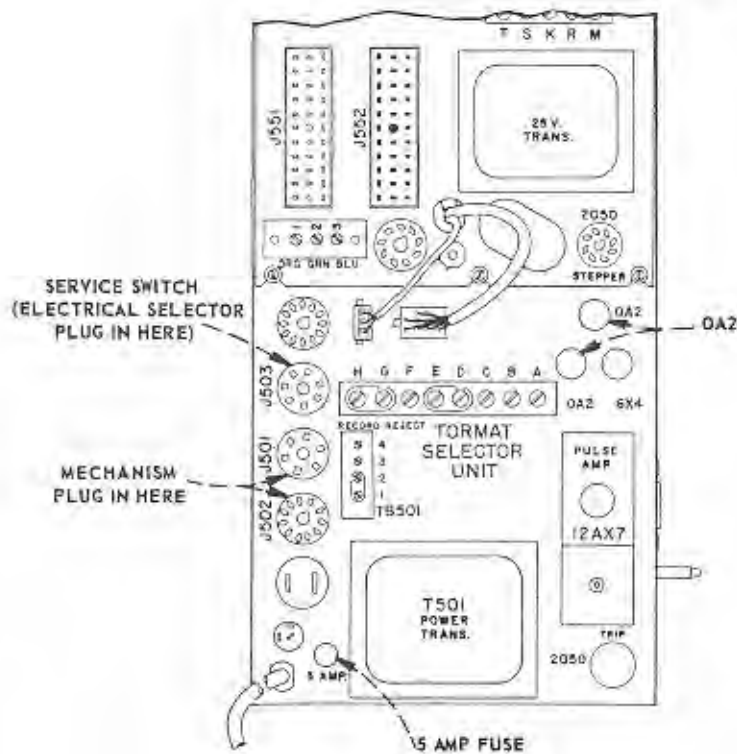
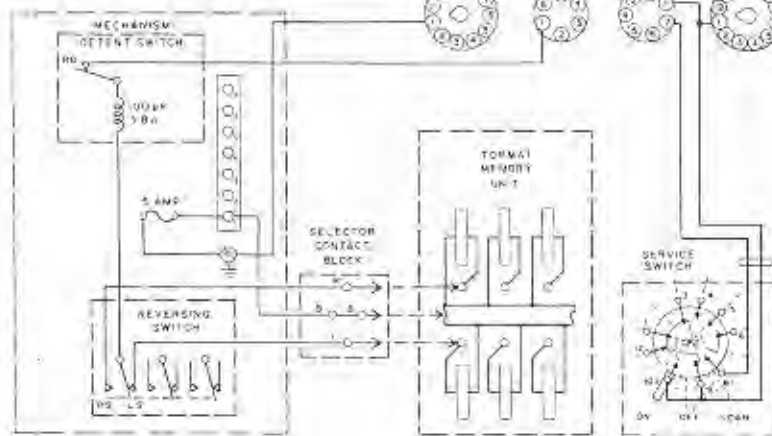
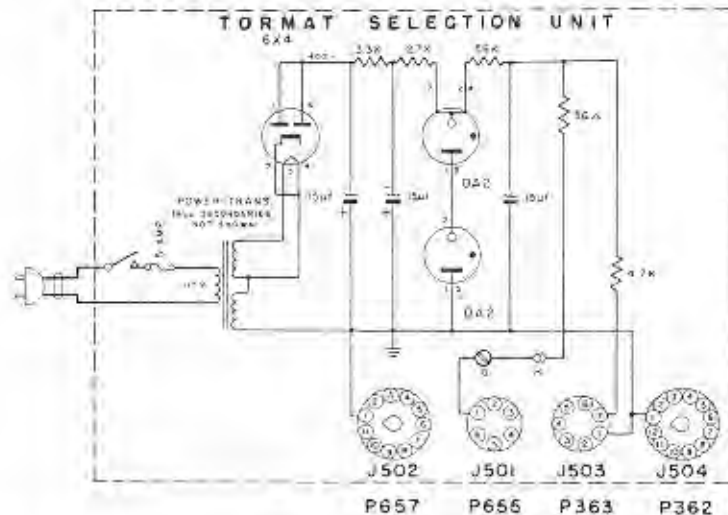
SELECT-O-MATIC AY100, AY160, Y100 and Y160 MODELS

WRITE-IN CIRCUIT COMPONENTS



SELECT-O-MATIC AY100, AY160, Y100 and Y160 MODELS

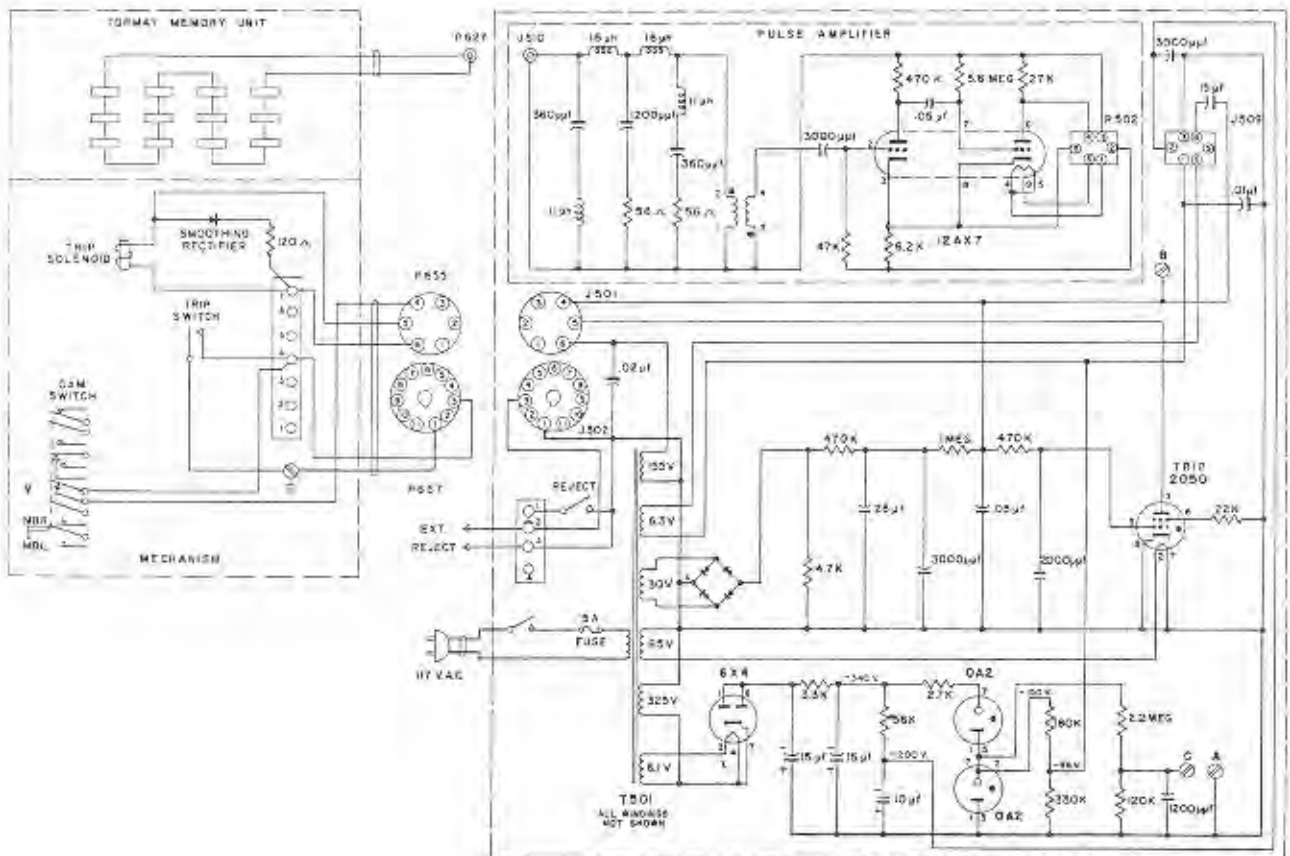
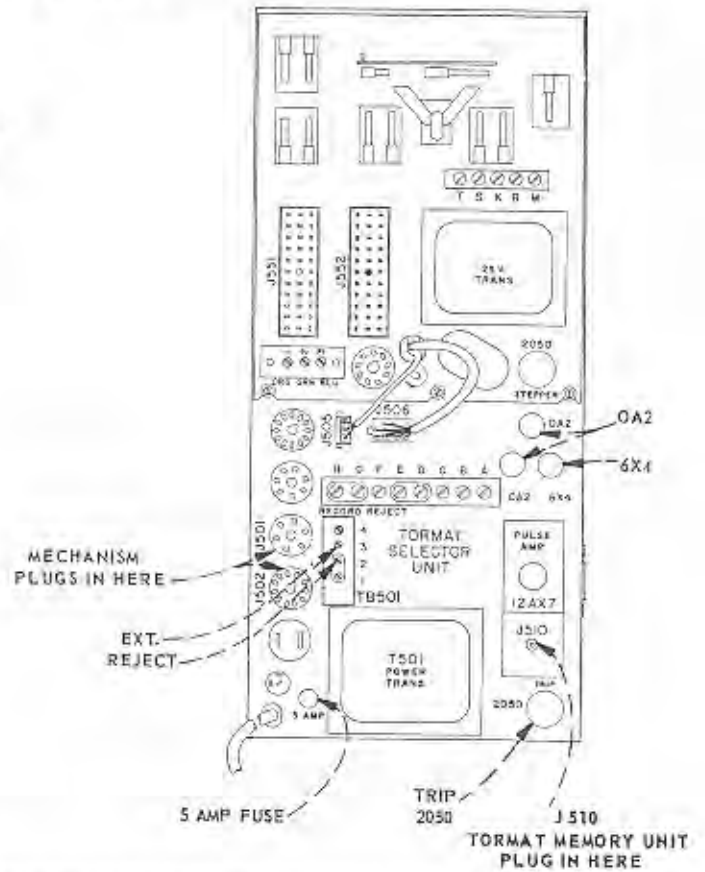
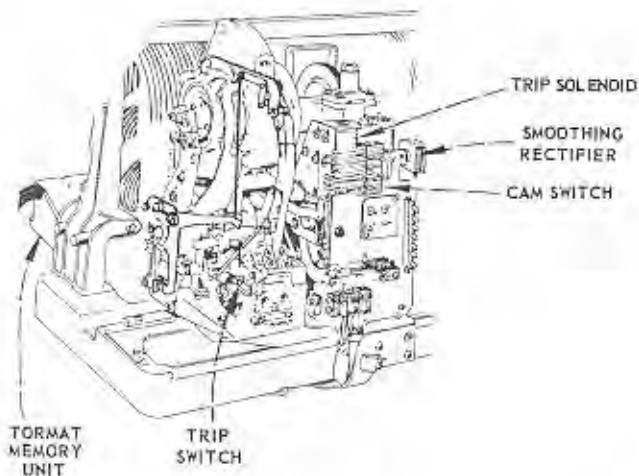
READ-OUT CIRCUIT



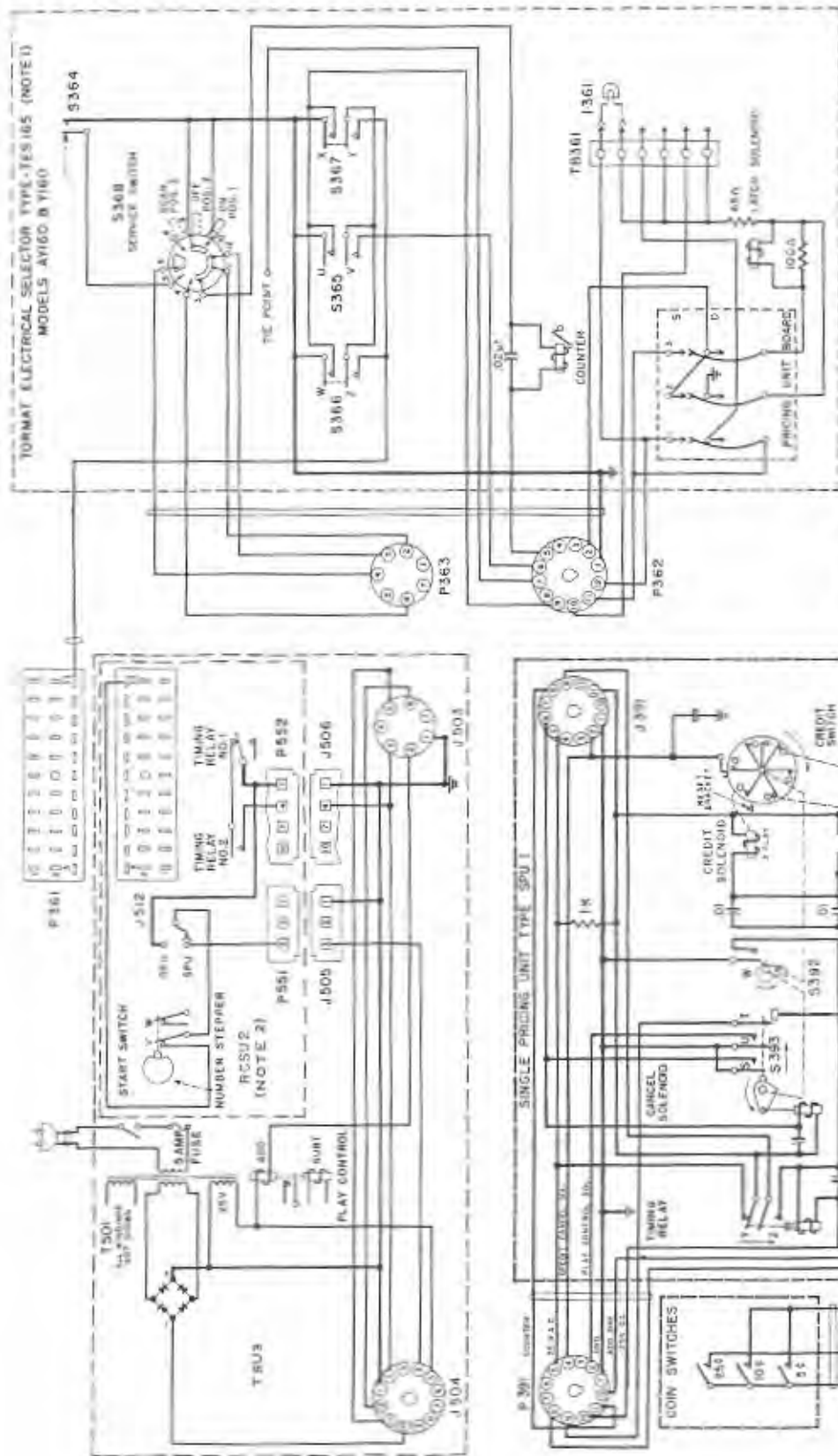


SELECT-O-MATIC AY100, AY160, Y100 and Y160 MODELS

TRIP & SENSING CIRCUITS



SELECT-O-MATIC AY100, AY160, Y100 and Y160 MODELS  
CREDIT SYSTEM WITH SINGLE PRICING UNIT (SPU)

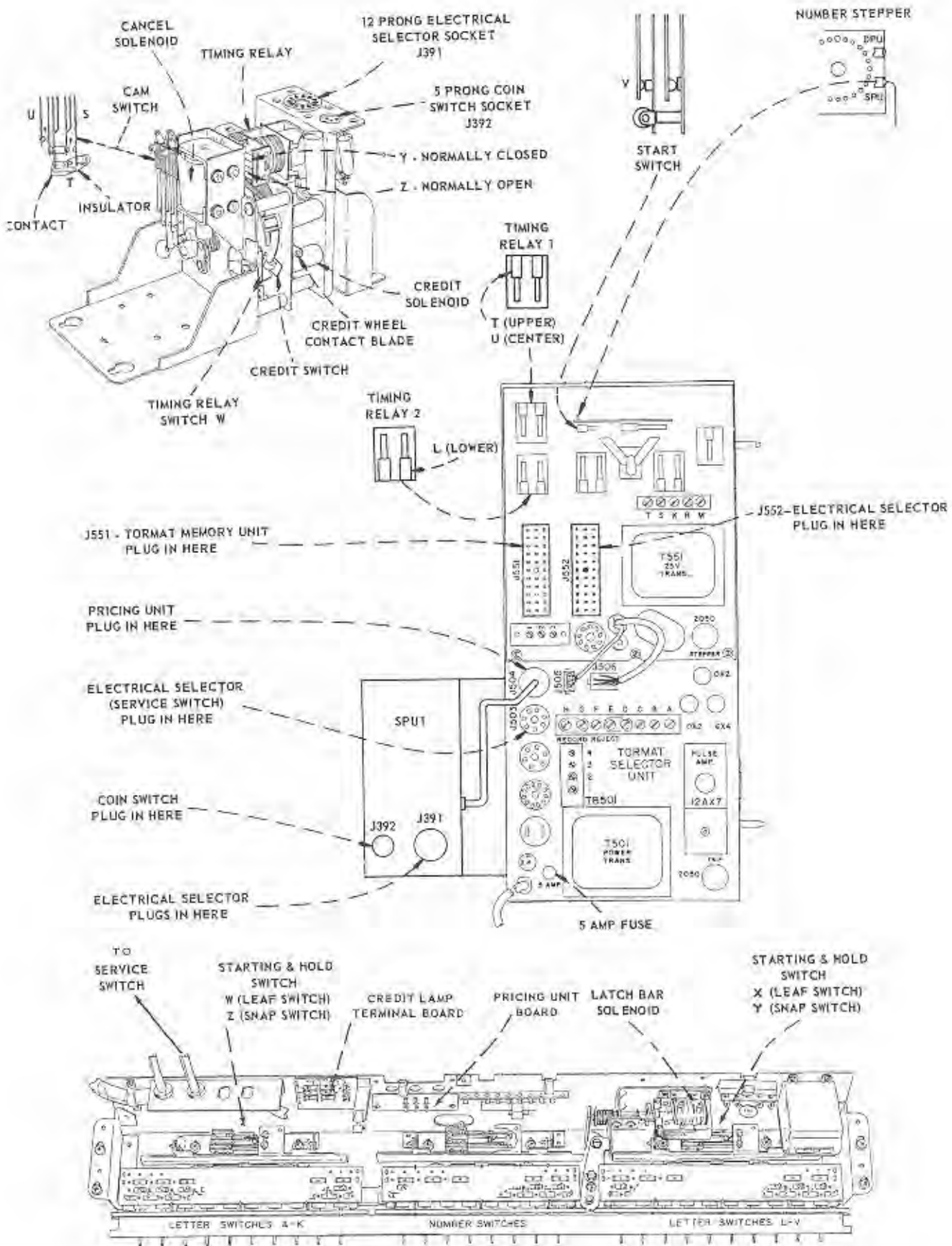


NICKEL, DIME AND QUARTER COIN EQUIPMENT. 1 SELECTION-  
DIME OR 2 NICKELS, 3 SELECTIONS - QUARTER.

NOTE 1: ALL CIRCUITS AS SHOWN FOR AY100, AY160, Y100 & Y160  
MODELS EXCEPT ELECTRICAL SELECTOR TYPE TES106 IS USED  
WITH AY100 & Y100.

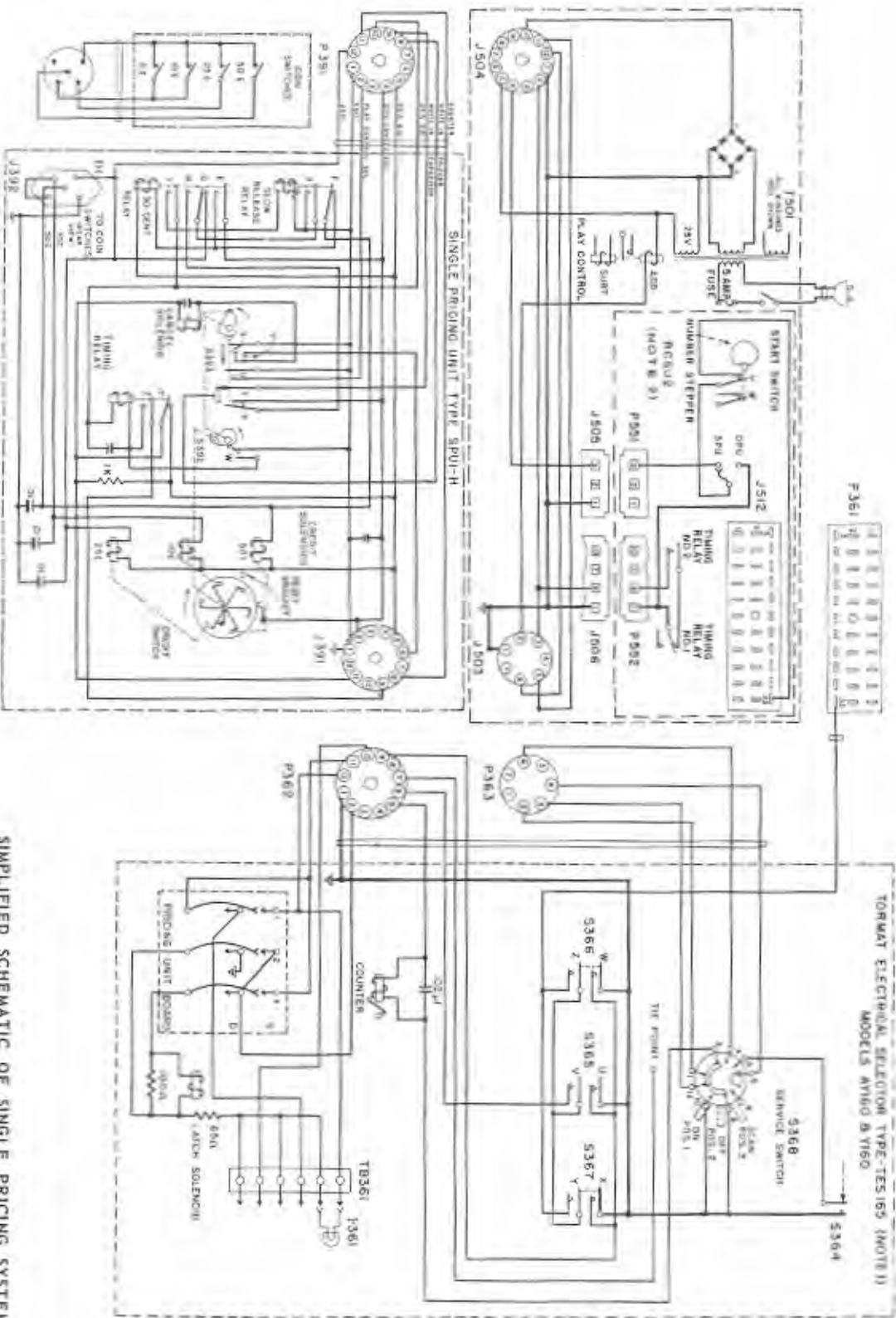
NOTE 2: WHEN T302 IS USED IN PLACE OF RCSU2, J306 IS NOT  
USED AND CONNECTION SHOWN FROM "DRU" TO TERMINAL 1 OF  
P352 IS TO TERMINAL 1 OF P351.

SELECT-O-MATIC AY100, AY160, Y100 and Y160 MODELS  
CREDIT SYSTEM



SELECT-O-MATIC AY100, AY160, Y100 and Y160 MODELS

CREDIT SYSTEM WITH SINGLE PRICING UNIT (TYPE SPUI-H)



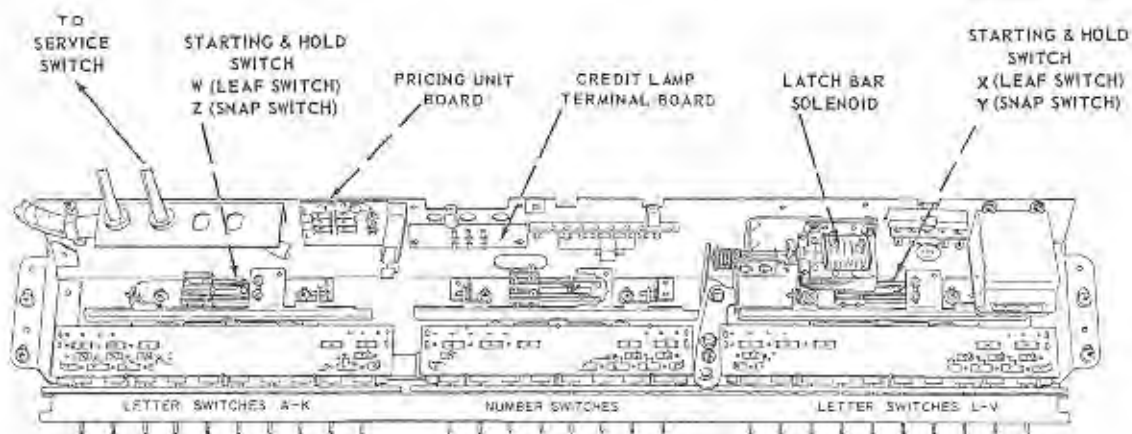
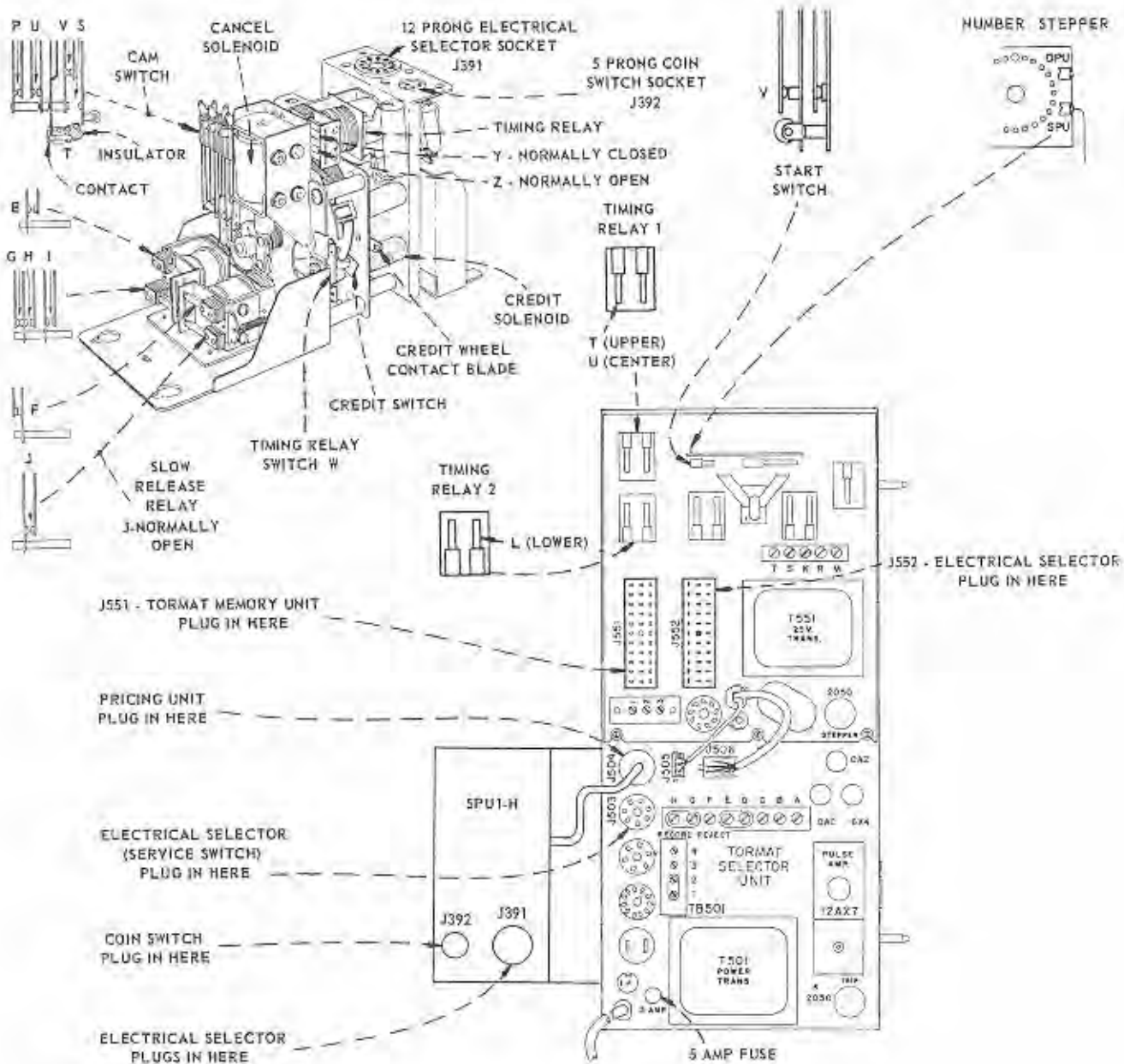
SIMPLIFIED SCHEMATIC OF SINGLE PRICING SYSTEM FOR NICKEL, DIME, QUARTER & HALF DOLLAR COIN EQUIPMENT.

1 SELECTION - DIME OR 2 NICKELS, 3 SELECTIONS - QUARTER, 7 SELECTIONS - HALF DOLLAR.

NOTE: ALL CIRCUITS AS SHOWN FOR AY100, AY160, Y100 AND Y160 MODELS EXCEPT ELECTRICAL SELECTOR DESIGN IS USED WITH AY100 AND Y100.

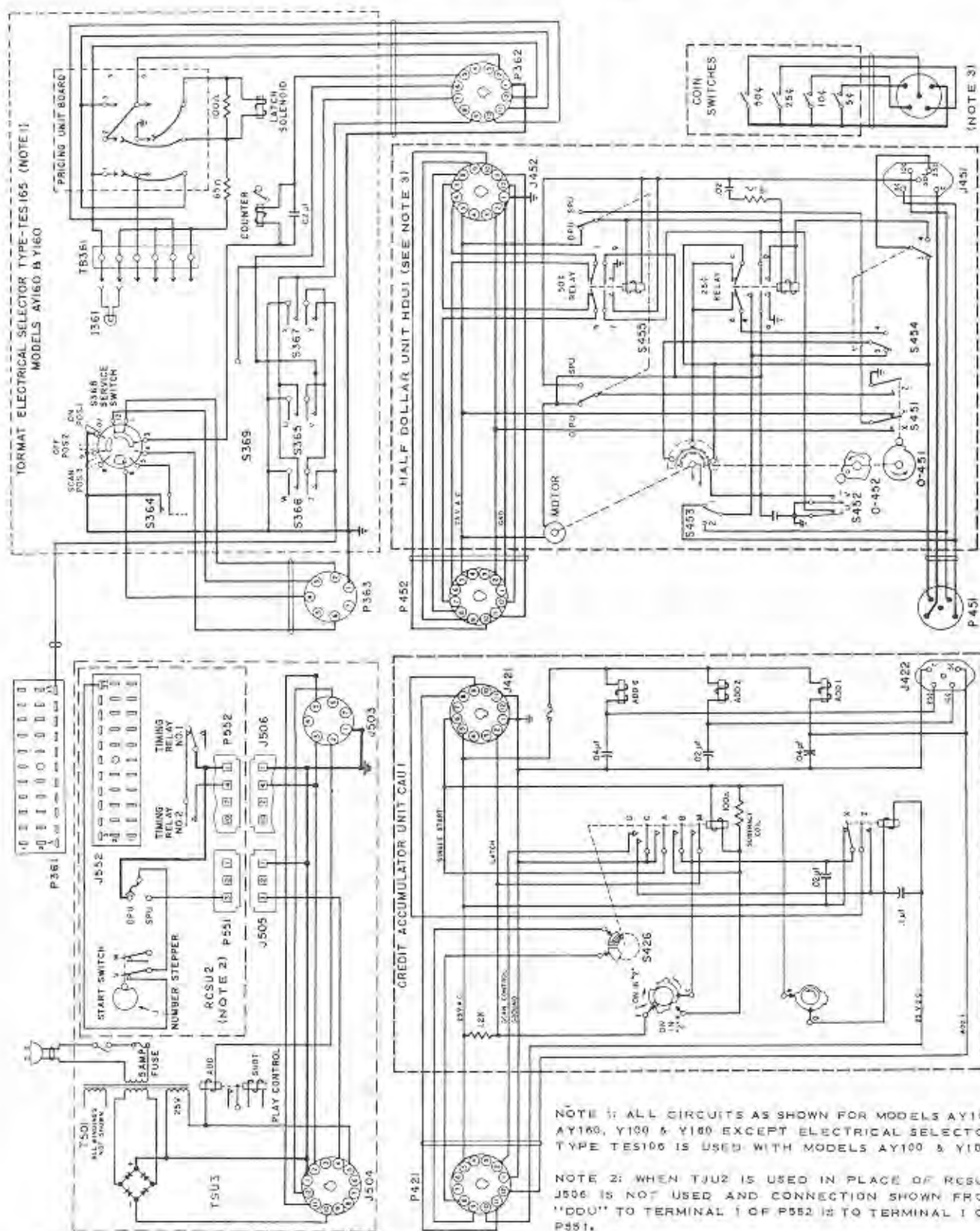
NOTE: WHEN TJC2 IS USED IN PLACE OF RCSUS, J506 IS NOT USED AND CONNECTION SHOWN FROM "OPU" TO TERMINAL 1 OF P352 IS TO TERMINAL 1 OF P351.

SELECT-O-MATIC AY100, AY160, Y100 and Y160 MODELS  
CREDIT SYSTEM



# SELECT-O-MATIC AY100, AY160, Y100 and Y160 MODELS

CREDIT SYSTEM WITH CREDIT ACCUMULATOR UNIT (CAU1) AND HALF DOLLAR UNIT (HDU1)



**SIMPLIFIED SCHEMATIC OF ACCUMULATIVE PRICING SYSTEM FOR NICKEL, DIME, QUARTER & HALF DOLLAR COIN EQUIPMENT, SINGLES 10¢, 3 FOR QUARTER, 7 FOR HALF DOLLAR.**

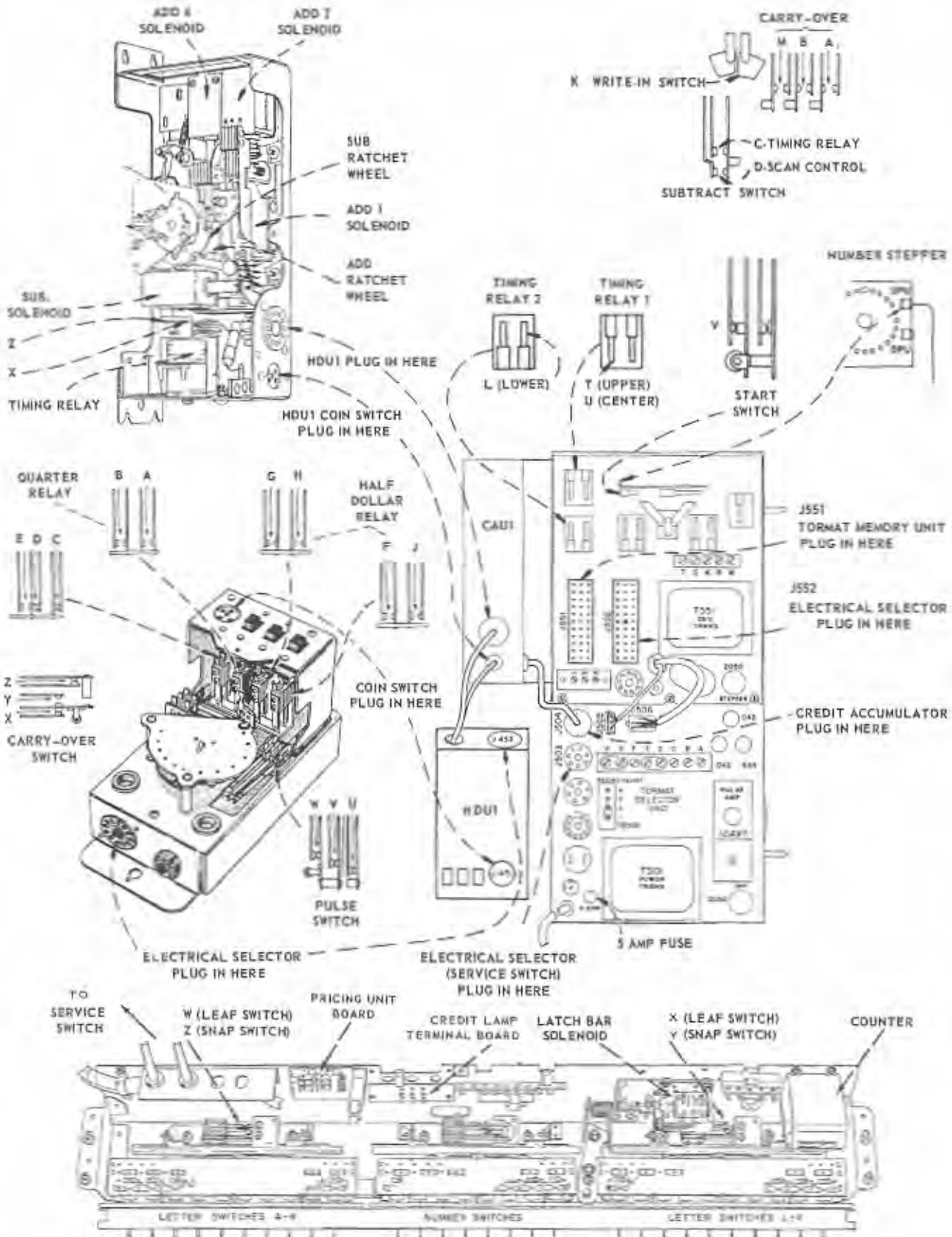
**NOTE 1:** ALL CIRCUITS AS SHOWN FOR MODELS AY100, AY160, Y100 & Y160 EXCEPT ELECTRICAL SELECTOR TYPE TES100 IS USED WITH MODELS AY100 & Y100.

**NOTE 2:** WHEN TJU2 IS USED IN PLACE OF RCSU2, J506 IS NOT USED AND CONNECTION SHOWN FROM "DDU" TO TERMINAL 1 OF P552 IS TO TERMINAL 1 OF P551.

**NOTE 3:** IF HALF DOLLAR UNIT IS NOT USED, P362 PLUGS INTO J421 AND COIN SWITCHES PLUG INTO J422.

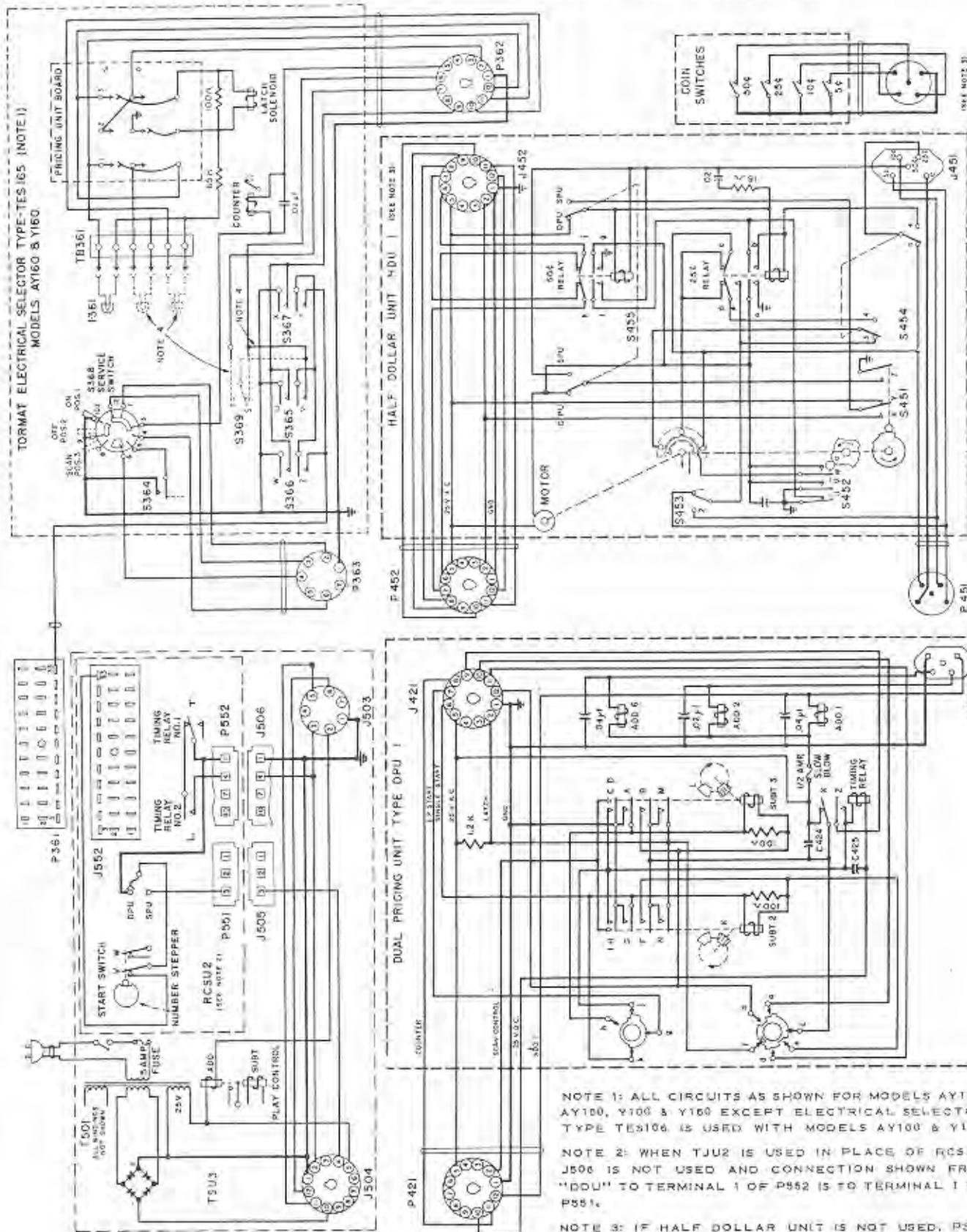
SELECT-O-MATIC AY100, AY160, Y100 and Y160 MODELS

CREDIT SYSTEM



# SELECT-O-MATIC AY100, AY160, Y100 and Y160 MODELS

CREDIT SYSTEM WITH ACCUMULATIVE PRICING UNIT (DPU) AND HALF DOLLAR UNIT (HDU)



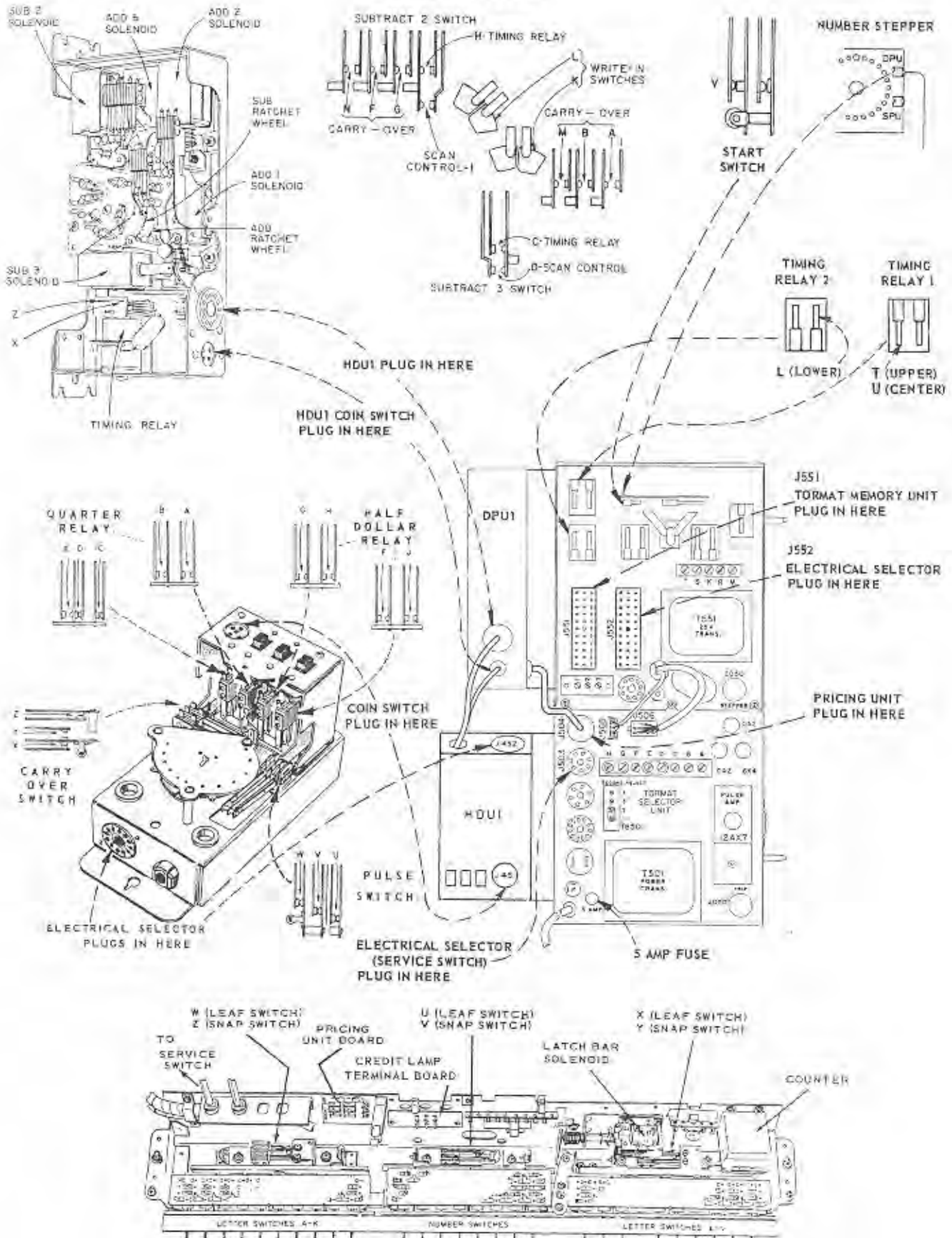
**SIMPLIFIED SCHEMATIC OF ACCUMULATIVE PRICING SYSTEM FOR NICKEL, DIME, QUARTER & HALF DOLLAR COIN EQUIPMENT. SINGLES 10¢, 3 FOR QUARTER, 7 FOR HALF DOLLAR.**

- NOTE 1: ALL CIRCUITS AS SHOWN FOR MODELS AY100, AY160, Y100 & Y160 EXCEPT ELECTRICAL SELECTOR TYPE TES106 IS USED WITH MODELS AY100 & Y100.
- NOTE 2: WHEN TJU2 IS USED IN PLACE OF RCSU2, J506 IS NOT USED AND CONNECTION SHOWN FROM "100U" TO TERMINAL 1 OF P361 IS TO TERMINAL 1 OF P351.
- NOTE 3: IF HALF DOLLAR UNIT IS NOT USED, P361 PLUGS INTO J421 AND COIN SWITCHES PLUG INTO J451.
- NOTE 4: IF DUAL PRICING IS DESIRED ADD S369. REMOVE JUMPER, MOVE CONNECTION ON PRICING UNIT BOARD TO D TERMINALS AND CONNECT TWO ADDITIONAL CREDIT LAMPS TO TB361.



SELECT-O-MATIC AY100, AY160, Y100 and Y160 MODELS

CREDIT SYSTEM



## COIN SWITCHES

### CLEANING

Clean the switch contacts carefully with carbon tetrachloride using a No. 2 camel hair brush.

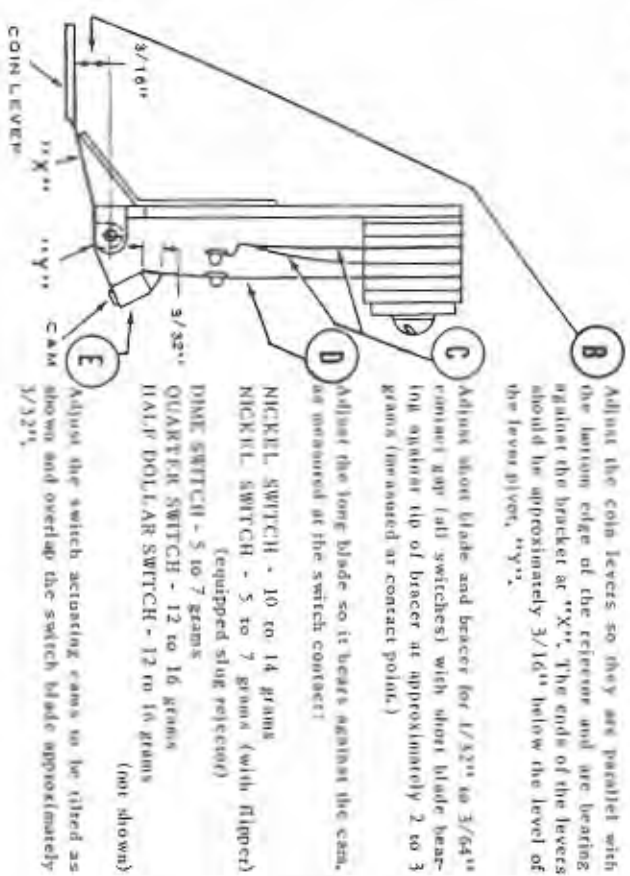
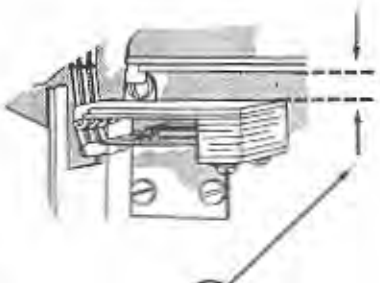
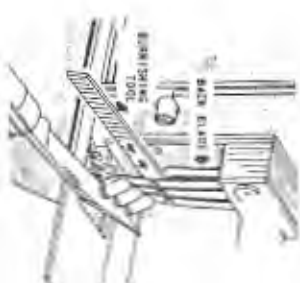
Remove by inserting a burnishing tool between the contacts, raising the switch lever with a knife blade as shown. NEVER USE A FILE OR SAND-PAPER FOR CONTACT CLEANING.

### COIN LEVER ALIGNMENT

The coin switch levers should be parallel and centered with the openings of their respective coin exits in the slug rejector. Lateral play of the lever should be taken into account when checking the position of the switch levers.

### SWITCH ADJUSTMENT

Adjust the coin switch mounting so the bracket is vertical and parallel with the vertical edge of the slug rejector frame.



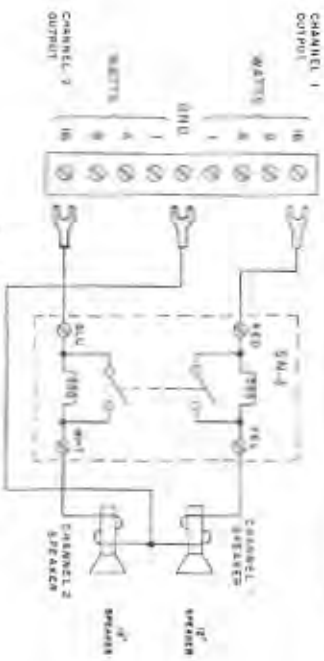
**B** Adjust the coin levers so they are parallel with the bottom edge of the reference and are bearing against the bracket at "X". The ends of the levers should be approximately  $3/16$ " below the level of the lever pivot, "Y".

**C** Adjust short blade and brace for  $1/32$ " to  $3/64$ " contact gap (all switches) with short blade bearing against tip of brace at approximately 2 to 3 grams (measured at contact point.)

**D** Adjust the long blade so it bears against the cam, as measured at the switch contact:

- NICKEL SWITCH - 10 to 14 grams
- NICKEL SWITCH - 5 to 7 grams (with flipped) (equipped slug rejector)
- DIME SWITCH - 5 to 7 grams
- QUARTER SWITCH - 12 to 16 grams
- HALF DOLLAR SWITCH - 12 to 16 grams (not shown)

**E** Adjust the switch actuating cam so be fitted as shown and overlap the switch blade approximately  $3/32$ ".



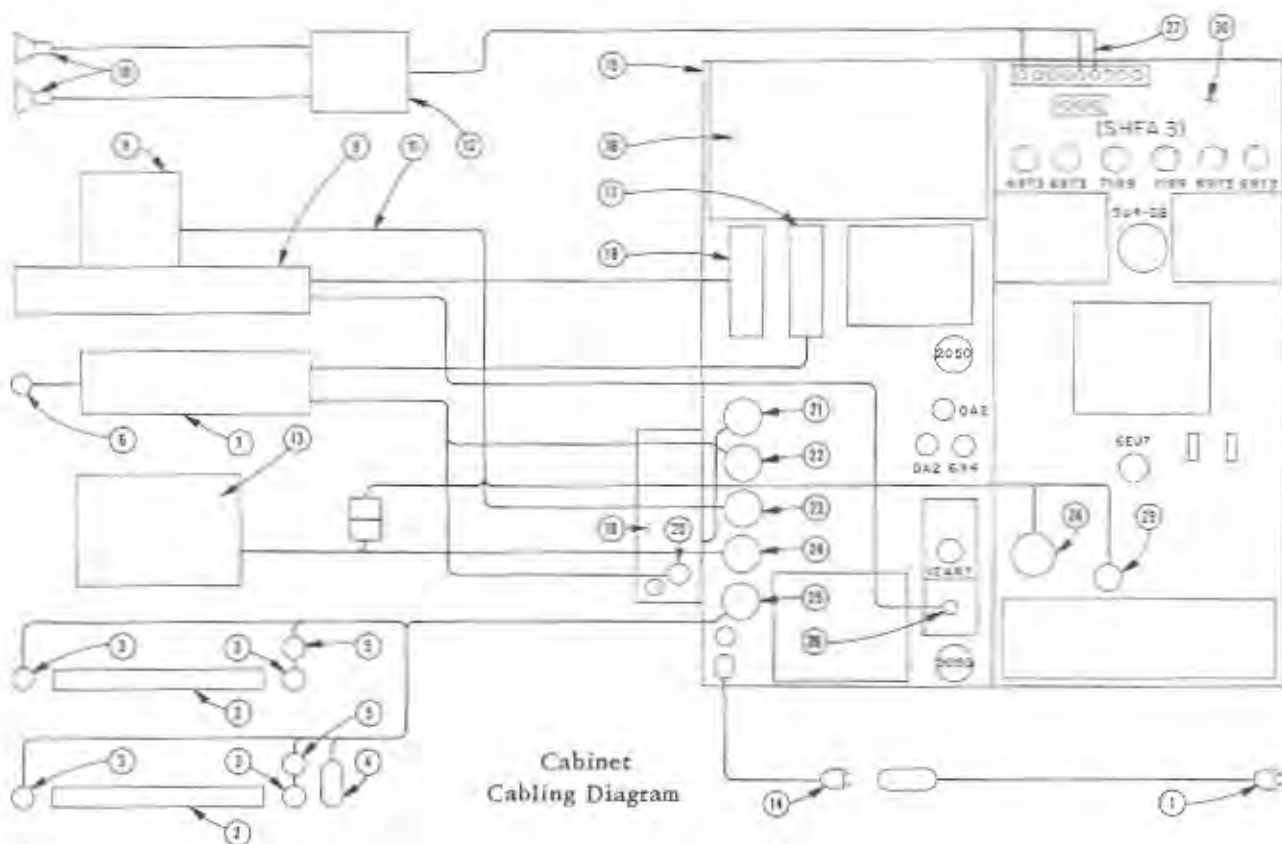
NOTE: SWITCH OPER. AT 100MA. 0.150" VOLTAGE. OPEN THIS STEREO RELAY AND WIRE.

Stereo Speaker Circuit



Monaural Speaker Circuit

SELECT-O-MATIC AY100, AY160, Y100 and Y160 MODELS



Item	Part No.	Description
1	402152	2-Wire Line Cord & Outlet Assembly
	503526	3-Wire Line Cord & Outlet Assem. (Acc.)
2	409084	Fluorescent Lamp (25 watt)
3	407352	Fluorescent Lamp Socket
4	409947	Ballast
	409945	Ballast (Alternate)
5	911913	Starter Socket
	405138	Fluorescent Light Starter (25 watt)
6	411365	Credit Light Cable Assembly
7	411016	"TES165", Tormat Elec. Selector (160)
	411018	"TES106", Tormat Elec. Selector (100)
8	248472	"160ST5", Select-O-Matic Mech. (160)
	249424	"145ST7", Select-O-Matic Mech. (100)
9	304900	"160TM1", Tormat Memory Assembly
	304701	"100TM3", Tormat Memory Assembly
10	485814	12 Inch Speaker
	485813	Alternate Speaker
11	249451	Control Cable
	249936	11 Prong Plug
12	503603	"SN-3" Stereo Network
13	307400	Type 33-1/3 ASU1, Auto Speed Unit
14	307152	Line Cord (TSU3)
15	307134	"TSU3", Tormat Selector Unit
16	307030	"RCSU2", R.C. Stepper Unit
	307090	"TJU2", Tormat Junction Unit

Item	Part No.	Description
17	410608	33 Prong Socket
	411292	Cable Assembly (Matrix) (100) *
	411259	Cable Assembly (Matrix) (160)
18	304662	33 Prong Plug
	304923	Cable Assembly (160)
	304729	Cable Assembly (100)
19	400450	"SPU1", Single Pricing Unit
	400454	"SPU1-H", Single Pricing Unit (Half Dollar)
	450800	"CAU1", Credit Accumulator Unit
	450510	"DPU1", Dual Pricing Unit
20	411359	Control Cable Assembly
21	410708	12 Prong Plug
22	408258	7 Prong Plug
23	65323	6 Prong Plug
24	249936	11 Prong Plug
	307418	Cable Assembly (ASU1)
25	484388	Fluorescent Light & Cable Assem. (Lower)
	484389	Fluorescent Light & Cable Assem. (Upper)
25	304732	Cable Assembly
	246957	Single Prong Plug
27	495817	Speaker Cable Assembly (Stereo)
	485866	Speaker Cable Assembly (Monaural)
28	F200241	5 Prong Plug
29	250938	3 Prong Plug
30	305604	SHFA3, Amplifier (Stereo)
	305800	CHFA2, Amplifier (Monaural) (Not Shown)