

SEEBURG

POWERED REMOTE VOLUME CONTROL, Type PRVC1

The Powered Remote Volume Control, Type PRVC1, is an accessory which may be used with the Seeburg Select-O-Matic phonograph to remotely control the volume and to cancel selections. It consists of a volume control drive motor and control box which are interconnected by means of a five-wire cable (not included). Any reasonable length of cable may be used without introducing losses or having any affect on the sound. 100 to 150 foot cable length is practical. The cable, Part No. 508712, is available from your Seeburg Distributor in any length required.

NOTE: Existing remote volume control cable installations may be used by removing the plug and the remote volume control unit.

CAUTION: Do NOT use shields as conductors.

A slip clutch drive permits volume adjustment at the phonograph independently of the remote volume control.

INSTALLATION INSTRUCTIONS

1. Determine location for the Remote Volume Control and best routing for the cable, keeping in mind appearance and possibility of physical damage to the cable as well as convenience of control.
2. Remove and discard fibre volume control cover. Install the volume control drive motor on the amplifier as shown in Figure 2. Tighten retaining screws.

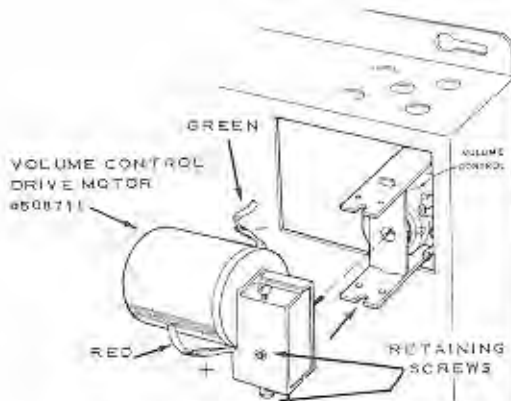


Figure 2. Drive Motor Installation.

3. Strip and trim the phonograph end of the 5-wire cable as shown in Figure 3. Connect cable to drive motor and terminal strip on the Tormat Selector Unit as shown in Figure 4.

NOTE: If it is desirable to deactivate the phonograph cancel button, open the jumper between terminal 1 and 2 of TB501.

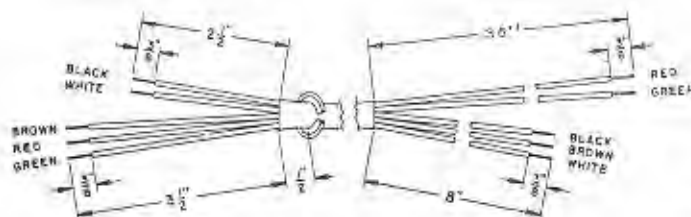


Figure 3. Cable Preparation.

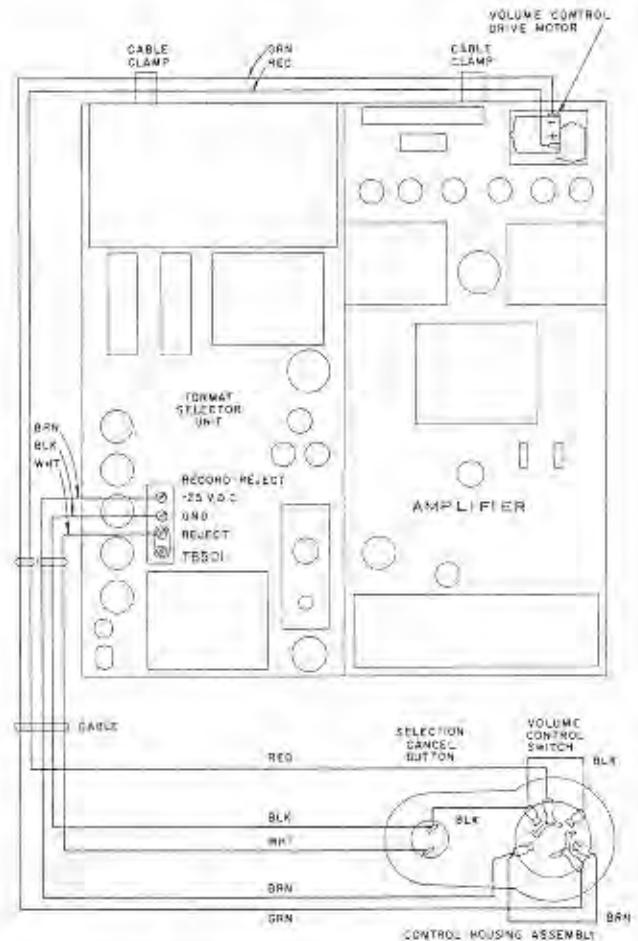
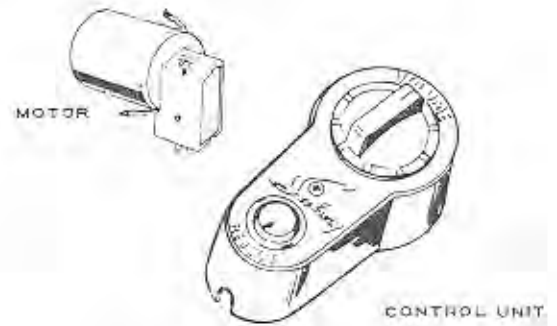


Figure 4. Wiring Diagram.

4. Arrange the cable so it feeds through the cable clamps and passes through the hole in the rear left cabinet vertical riser.
5. Fasten the cable to the wall of the cabinet with one of the clamps, allowing enough slack cable in the cabinet to avoid strain on the cable or connections.
6. Lay the cable from the cabinet to the Remote Volume Control, passing the cable loosely over pipes and through necessary holes in walls and floors.



Figure 5.

7. Strip three short lengths of wire, Figure 5, and make the internal connections in the control box, Figure 4. Connect the 5-wire cable from the phonograph and apply the strain relief clamp.

8. If the control box is to be permanently attached, remove the bottom plate by unscrewing the center bolt and fastening with No. 8 wood screws. Then remount control box to the plate.

If portable usage is desired, press the three rubber feet supplied into the holes in the bottom plate.

9. Fasten the cable securely, starting at the control with a clamp adjacent to the control box. Take up excess cable as it is fastened.

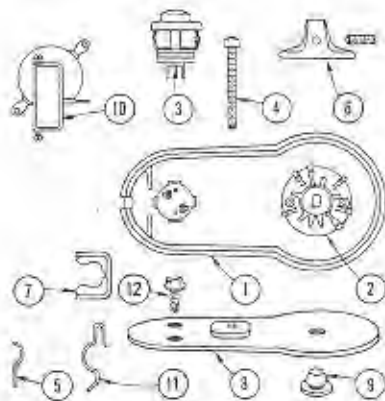


Figure 6.

10. When the cable is installed, leave enough slack to permit moving the phonograph from the wall for maintenance and cleaning.

NOTE: Solder all connections. Do not use acid core solder or acid solder flux.

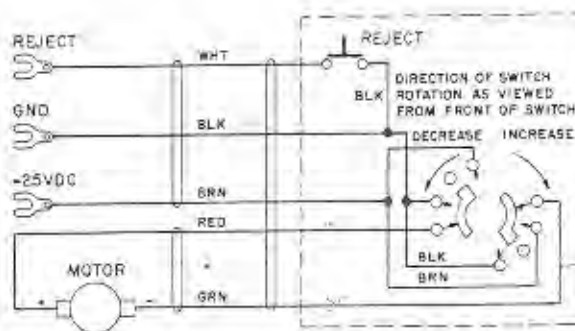


Figure 7. Schematic Diagram.

PARTS LIST

ITEM	PART NO.	DESCRIPTION
1	506705	CONTROL HOUSING ASSEMBLY
	503884	CONTROL HOUSING
2	506704	VOLUME CONTROL SWITCH
	925712	1220-12 LOCKWASHER
	904801	3/8-32 HEX NUT
3	503885	SELECTION CANCEL BUTTON
4	913675	6-32 X 1-3/15 PHILLIPS FIL. HMS
5	402098	CABLE CLAMP
6	305315	KNOB
	918580	8-32 X 3/8 SOCKET H. CUP PT. SET SCREW
7	503182	STRAIN RELIEF
8	508715	BOTTOM PLATE ASSEMBLY
	508716	NAME PLATE
9	508183	RUBBER FOOT
10	506713	VOLUME CONTROL DRIVE MOTOR
11	409974	CABLE CLAMP
12	960658	HEX WASHER HD. SHT. METAL SCREW