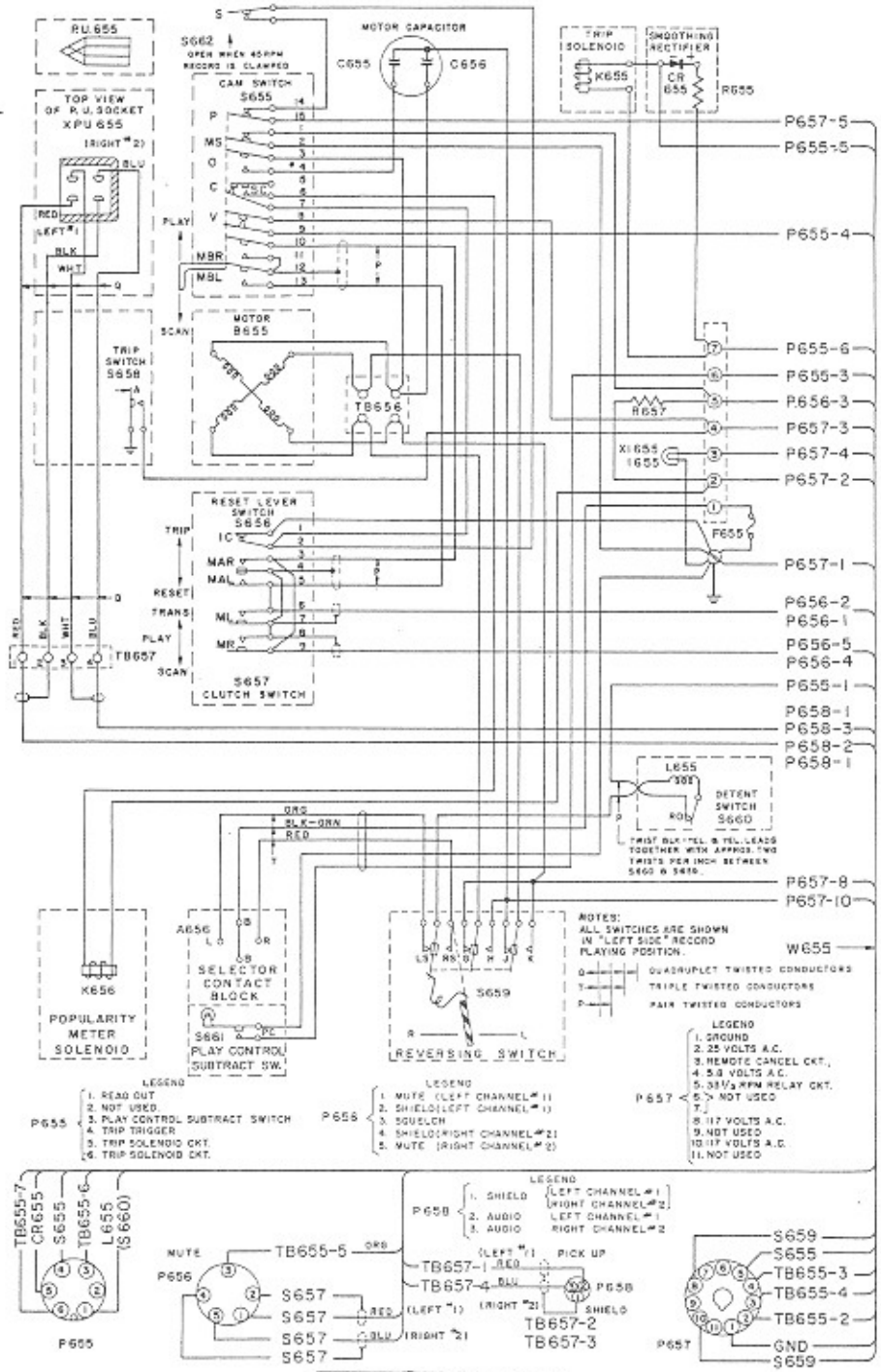


SELECT-O-MATIC MECHANISM

Item	Parts List	Description
A656	249148	Contact Block
B655	250251	Motor Assembly
C655	86321	1.65 MFD. Motor
C656		
CR655	247843	Selenium Rectifier
F655	247850	Fuse - 5 Amp.
I655	249198	Indicator Lamp
K655	247510	Trip Solenoid
K656	249122	Pop. Meter Solenoid
L655	303702	Choke, 100 μ Henry
P655	65319	Six Prong Plug
P656	F200241	Five Prong Plug
P657	250942	Eleven Prong Plug
P658	250938	Three Prong Plug
PU655	249730	Magnetic Pickup
R655	82413	120 Ohm $\frac{1}{4}$ W. $\pm 10\%$
R657	82752	2200 Ohm 1 W. $\pm 10\%$
S655	249463	Cam Switch
S656	249939	Reset Lever Switch
S657		Clutch Switch
S658	245816	Trip Switch
S659	247846	Reversing Switch
S660	249235	Detent Switch
S661	248127	Play Control Subtract Switch
S662	249506	Clamp Arm Switch
TB655	305113	Terminal Strip
TB656	245909	Motor Terminal Strip
TB657	305112	Terminal Strip
W655	249461	Control Cable
XI655	249193	Lamp Socket
XP655	249727	P. U. Cartridge Socket



Schematic Diagram For Select-O-Matic Mechanism, Types 145ST5 & 160ST4.