

TERRIFIC in stereo quality! The unparalleled stereo system in the industry.

The Seeburg Electra is everything you want in a phonograph...



**APFEAI Models
of 1966**

SELECT-O-MATIC PHONOGRAPH, APPEA1 Models

- SPECIFICATIONS -

POWER REQUIREMENTS 120 volt, 60 cycle a.c.
 Phonograph with SSU2:
 Standby 150 watts, 2.1 amps.
 Operating 250 watts, 3.0 amps.

CABINET LIGHTING

One (1) 30-watt, 36-inch cool white fluorescent lamp
 Two (2) 30-watt, 36-inch black light fluorescent lamp
 Three (3) FS-4 Starters

LID KEY NUMBER F-336

SELECT-O-MATIC MECHANISM Type 133S5

TORMAT MEMORY UNIT Type 160TM4

RECORD TYPE..... 33-1/3 & 45 rpm, 7-inch diameter

RECORD CAPACITY 80 records (160 selections)

PICK-UP Seeburg Stereophonic High Fidelity
 Magnetic with two Diamond Styli.

PHONOGRAPH SPEAKERS

Two 12-inch low frequency
 Six 5-inch high frequency

STEREO NETWORK Type SN-9

CABINET FINISH High Pressure Decalite
 phenolic laminate, slate-blue color; bright chrome
 grilles.

INCOME TOTALIZER UNIT Type IT4R

ALBUM PRICING UNIT Type APU3

TRANSISTORIZED STEREO AMPLIFIER Type TSA4

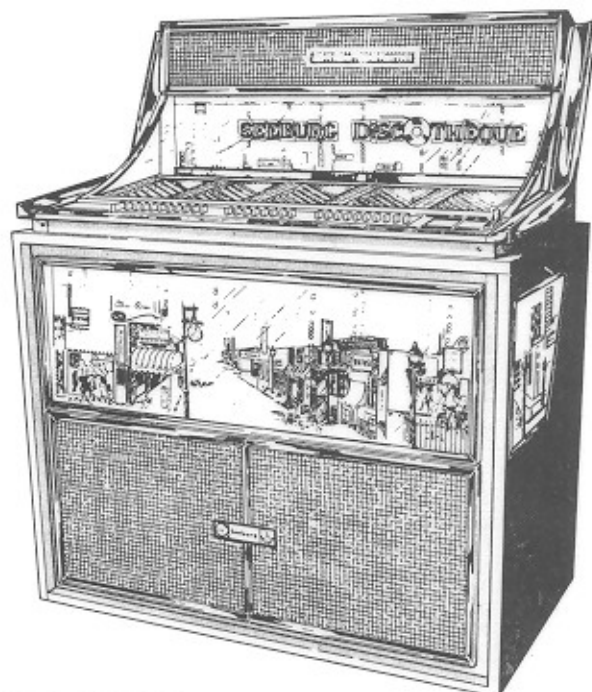
TORMAT ELECTRICAL SELECTOR. Type TES1610-56

SOLID STATE CONTROL CENTER Type SCC4

45 rpm. TRANSISTORIZED AUTO-SPEED UNIT
 Type 45TASU2

FUSES

1 - 15 amp. (Solid State Control Center)
 1 - 1½ amp. (Solid State Control Center)
 1 - 1/8 amp. (Solid State Control Center)
 1 - 5 amp. Pigtail (Select-O-Matic Mechanism)
 1 - 8/10 amp. Slo Blo (Trans. Stereo Amplifier)
 1 - ½ amp. Slo Blo (Album Pricing Unit)
 1 - 1.6 amp. Slo Blo (Album Pricing Unit)
 1 - 6¼ amp. (Power Junction Unit)



TRANSISTORS

Transistorized Stereo Amplifier

4 - 309412 (PNP) 2 - 309418 (NPN)
 2 - 309413 (PNP) 2 - 309419 (PNP)
 4 - 309414 (PNP) 2 - 309420 (PNP)
 2 - 309421 (PNP)

Transistorized Auto-Speed Unit

2 - 309422 (PNP)

SILICON CONTROLLED SWITCH & ZENER DIODES

Solid State Control Center

1 - 309375 (Zener Diode) (27 volt)
 1 - 309376 (Zener Diode) (150 volt)
 1 - 309377 (Silicon Controlled Switch)

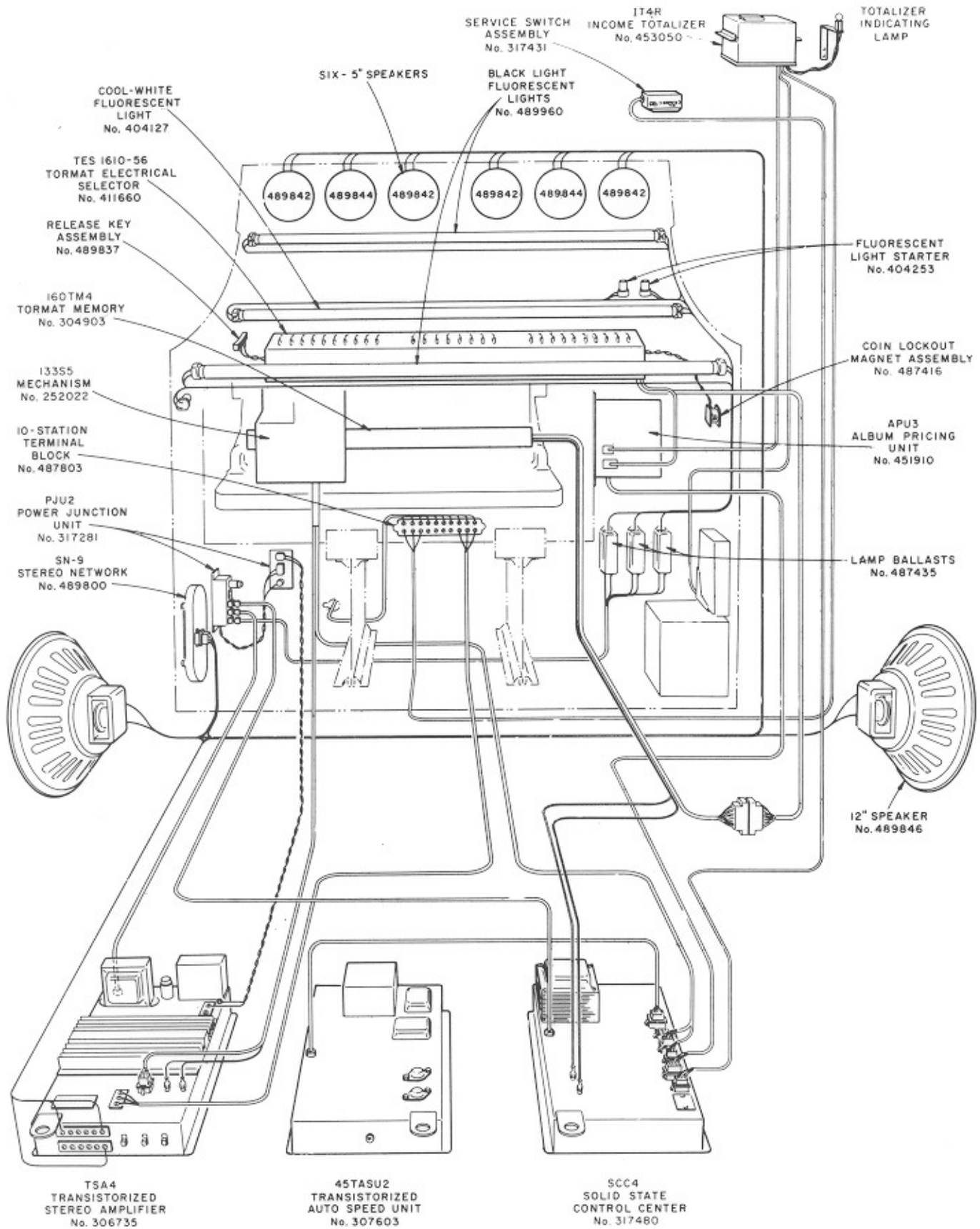
DIMENSIONS and WEIGHTS

Height 49½ Inches
 Width 40½ Inches
 Depth 26¼ Inches
 Net Weight 370 Pounds
 Shipping Weight 405 Pounds

ACCESSORIES

Solid State Stepper Kit Type SSU2K
 (Part No. 509370) (60 cycles)
 Solid State Stepper Kit Type SSU2K-5
 (Part No. 509371) (50 cycles)
 Discotheque Dance Conversion Kit Type DDCK3
 (Part No. 509715)

SELECT-O-MATIC PHONOGRAPH MODEL APFEA1



SELECT-O-MATIC PHONOGRAPH, Models PFEA1U & APFEA1

Item	Part No.	Description
S 3000	411278	Service Switch
S 3001	305635	Credit Switch
W3000	317435	Cable Assembly (Includes P3000, Part No. 710530)

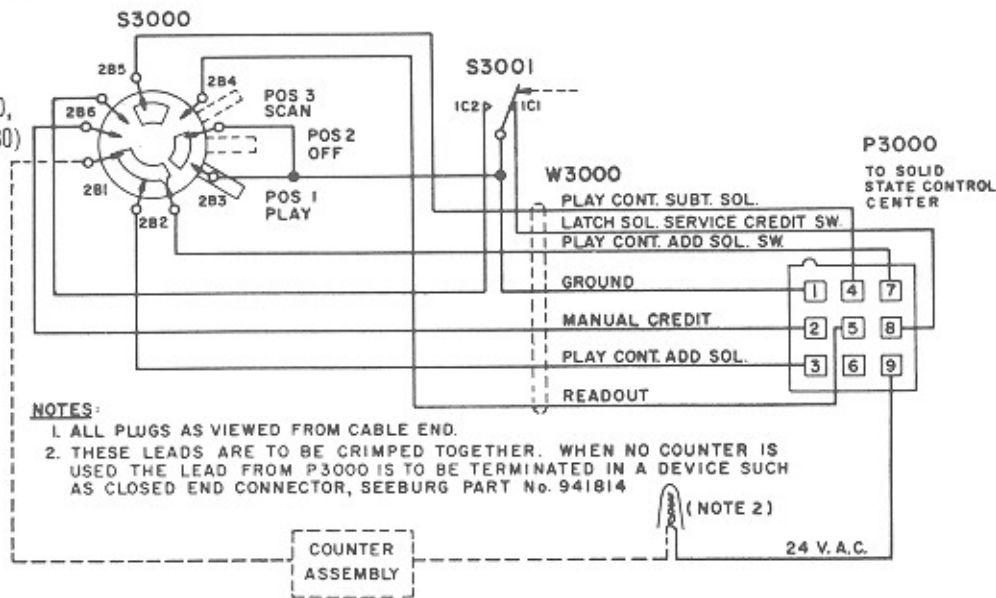


Fig. A - Service Switch for Model PFEA1U

Item	Part No.	Description
S 3000	411278	Service Switch
S 3001	305635	Credit Switch
TB3000	317448	Album Terminal Board
W3000	317447	Cable Assembly (Includes J3000)
W3001	317446	Cable Assembly (Includes P3000)
X3001	941814	Closed End Connector

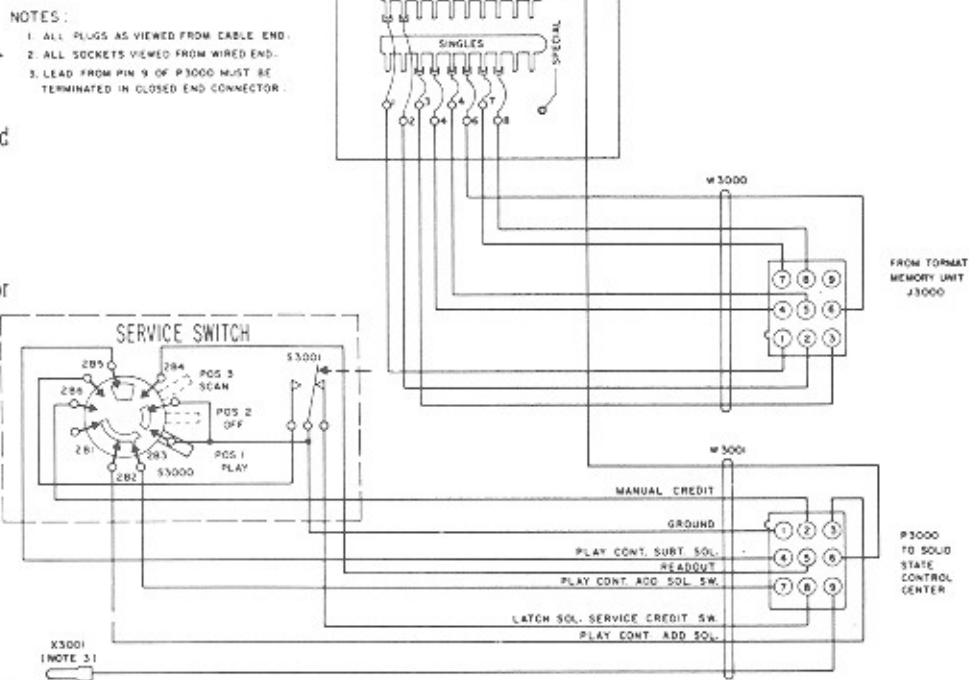
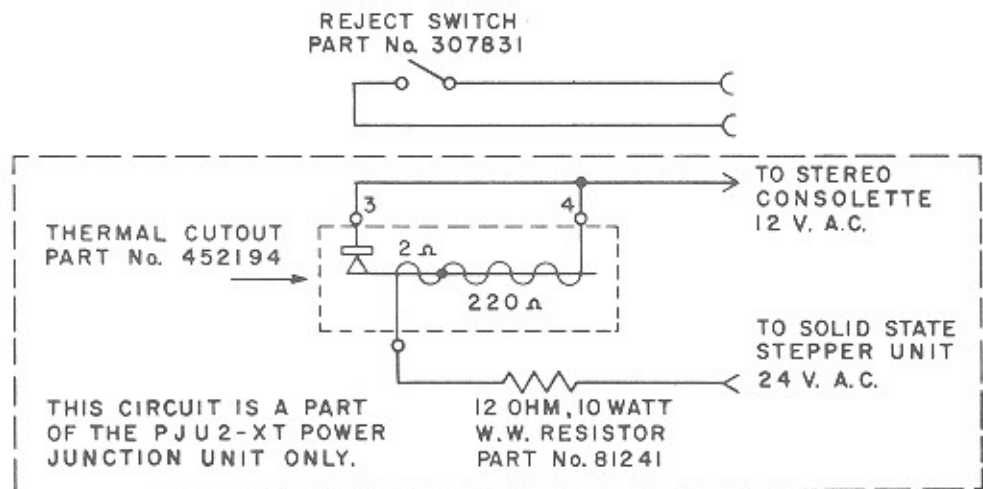
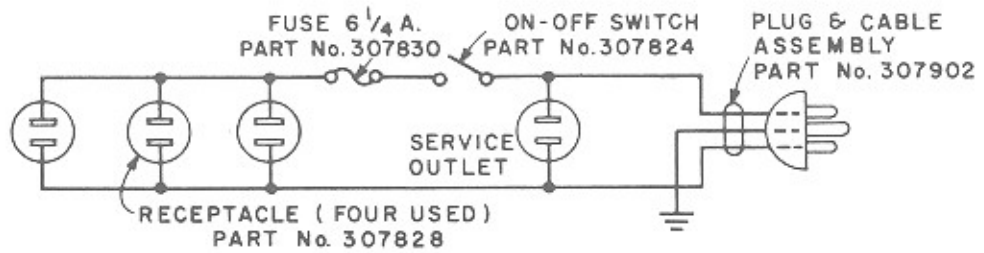
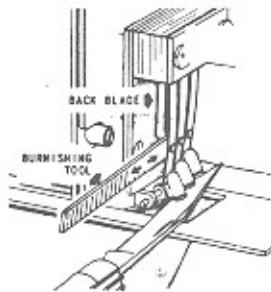


Fig. B - Service Switch for Model APFEA1

SELECT-O-MATIC, Models PFEA1U and APFEA1
 Power Junction Unit Types PJU2 and PJU2-XT, Schematic Diagram



COIN SWITCHES



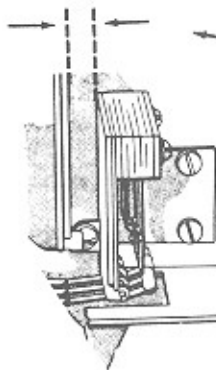
CLEANING

Clean the switch contacts carefully with denatured alcohol using a No. 2 camel hair brush.

Burnish by inserting a burnishing tool between the contacts, raising the switch lever with a knife blade as shown. *Never use a file or sandpaper for contact cleaning.*

COIN LEVER ALIGNMENT

The coin switch levers should be parallel and centered with the openings of their respective coin exits in the slug rejector. Lateral play of the lever should be taken into account when checking the position of the switch levers.



SWITCH ADJUSTMENT

A Adjust the coin switch mounting so the bracket is vertical and parallel with the vertical edge of the slug rejector frame.

B Adjust the coin levers so they are parallel with the bottom edge of the rejector and are bearing against the bracket at "X". The ends of the levers should be approximately $3/16''$ below the level of the lever pivot, "Y".

C Adjust short blade and bracer for $1/32''$ to $3/64''$ contact gap (all switches) with short blade bearing against tip of bracer at approximately 2 to 3 grams (measured at contact point).

D Adjust the long blade so it bears against the cam, as measured at the switch contact:

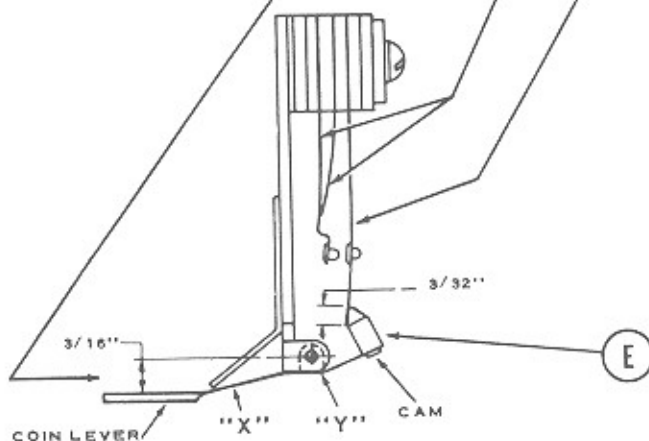
Nickel switch - 10 to 14 grams

Nickel switch (with flipper equipped slug rejector) - 5 to 7 grams

Dime switch - 5 to 7 grams

Quarter switch - 12 to 16 grams

Half Dollar switch (not shown) - 12 to 16 grams



E Adjust the switch actuating cams to be tilted as shown and overlap the switch blade approximately $3/32''$.