

INCOME TOTALIZER, Type IT4R-56

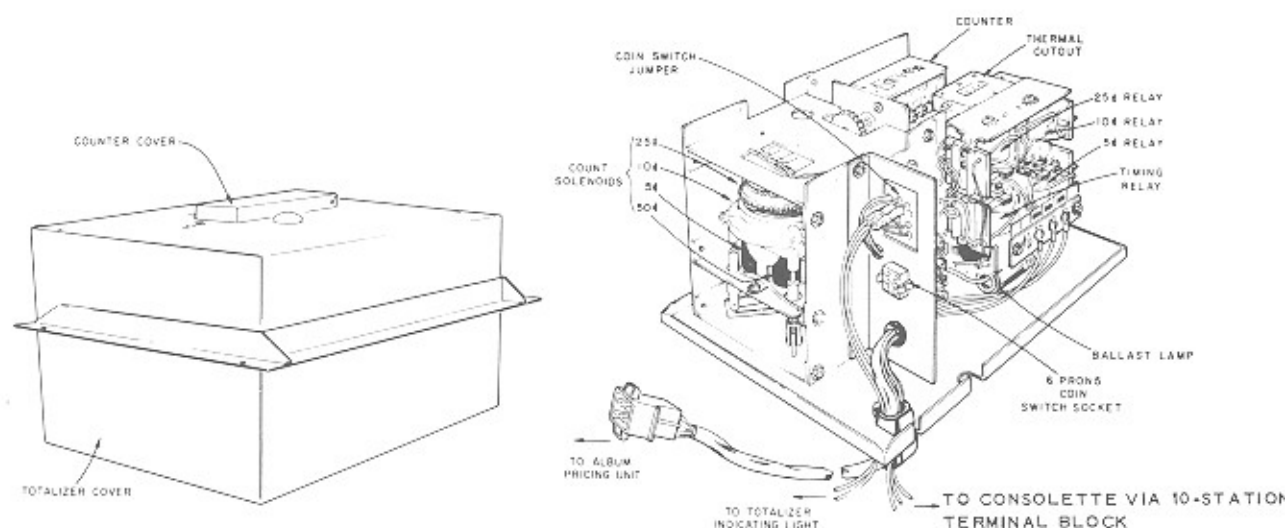


Figure 1. Type IT4R-56 Income Totalizer.

The Type IT4R-56 Income Totalizer is a coin recording device designed for use with the APFEA1 model phonograph. It totals nickels, dimes, quarters and half dollars deposited and indicates, on a dial, the total actual value of the coins. The Type IT4R-56 is equipped with a ITRAI Remote Adaptor which permits registration of total cash deposited in both the phonograph and all remote Stereo Consolettes connected to it.

An indicating light is connected to the Totalizer and is momentarily illuminated at the time a coin is deposited either at the phonograph or a Consolette. Duration of lighting depends on the value of the coin — shortest for nickels and longest for half dollars. This light is located in back of a diffusing disc at the right end of the record playing indicator and provides a visual test that the totalizer is functioning properly.

A 6-prong plug on the end of a cable connects the Income Totalizer to the Album Pricing Unit. A 6-prong socket under the locked cover of the Income Totalizer provides connection to the coin switch. The Type IT4R-56 has, in addition, a color coded 4-screw terminal strip, 3 screws of which are used for connection of remote Stereo Consolettes.

The Income Totalizer Counter Assembly includes a motor and four (4) counting solenoids which function in the registration of nickels, dimes, quarters and half dollars. Coin switches in the phonograph are wired in series with associated count solenoids, so that the deposit of a coin energizes a count solenoid. A solenoid lever closes a Transfer Switch which is in series with an add solenoid in the Album Pricing Unit and results in establishing a credit. Concurrently, the Ratchet Wheel is released by the Ratchet Holding Pawl and is permitted to move off its zero position and rotate a given distance determined by the Ratchet Advancing Pawl. Simultaneously, the Motor Switch closes. This switch is located at the top of the assembly.

The motor rotates to drive the Ratchet Wheel Assembly back to zero and advances the Counter to indicate the coin value credited. At the completion of the cycle, the Motor Switch opens and stops the motor.

The Type ITRAI Remote Adaptor Unit effectively duplicates the function of the 5, 10 and 25¢ coin switches in the phonograph. The half dollar function is not used for remote selection. Deposit of a coin in the remote Stereo Consolette energizes an appropriate coin relay in the Adap-

INCOME TOTALIZER, Type IT4R-56

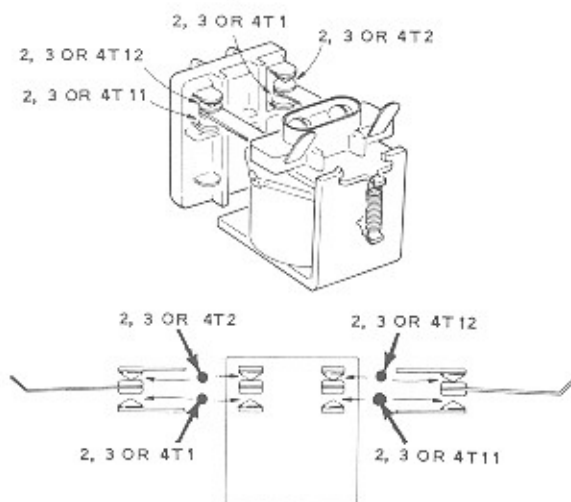
tor Unit. Relay contacts 2T11, 4T1 and 3T11 are in series with associated count solenoids, and their grounding circuit is completed through the 1T11 contact in the Time Delay Relay. The latter provides an 80 millisecond time lapse for correct operational sequence of components. The 1T12 contact opens the solenoid add circuit to

the Album Pricing Unit.

A Thermal Cutout (S4105) protects the relays and the Consolette coin circuits and, if a coin should lodge on a coin switch, the Cutout functions to release the relay so the phonograph coin system is not disabled.

RELAY AND SWITCH ADJUSTMENT

5¢, 10¢ and 25¢ RELAY

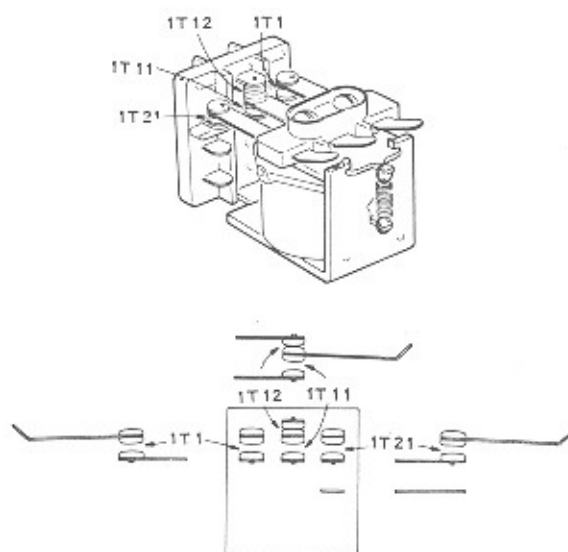


COIL RESISTANCE (D.C.) - 3.8 OHMS ± 10%

CONTACT GAPS - .018 MIN.

CONTACT FORCE - 20 GRAMS

TIMING RELAY



COIL RESISTANCE (D.C.) - 380 OHMS ± 10%

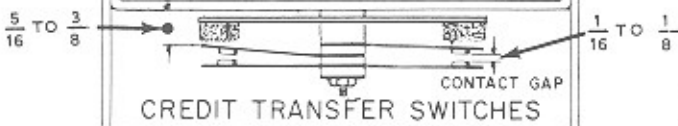
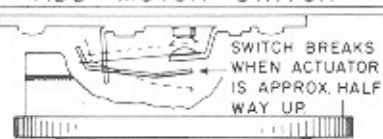
CONTACT GAP - .020 MIN.

CONTACT FORCE (1T11, 1T12) 14 GRAMS

CONTACT FORCE (1T1, 1T21) 40 GRAMS

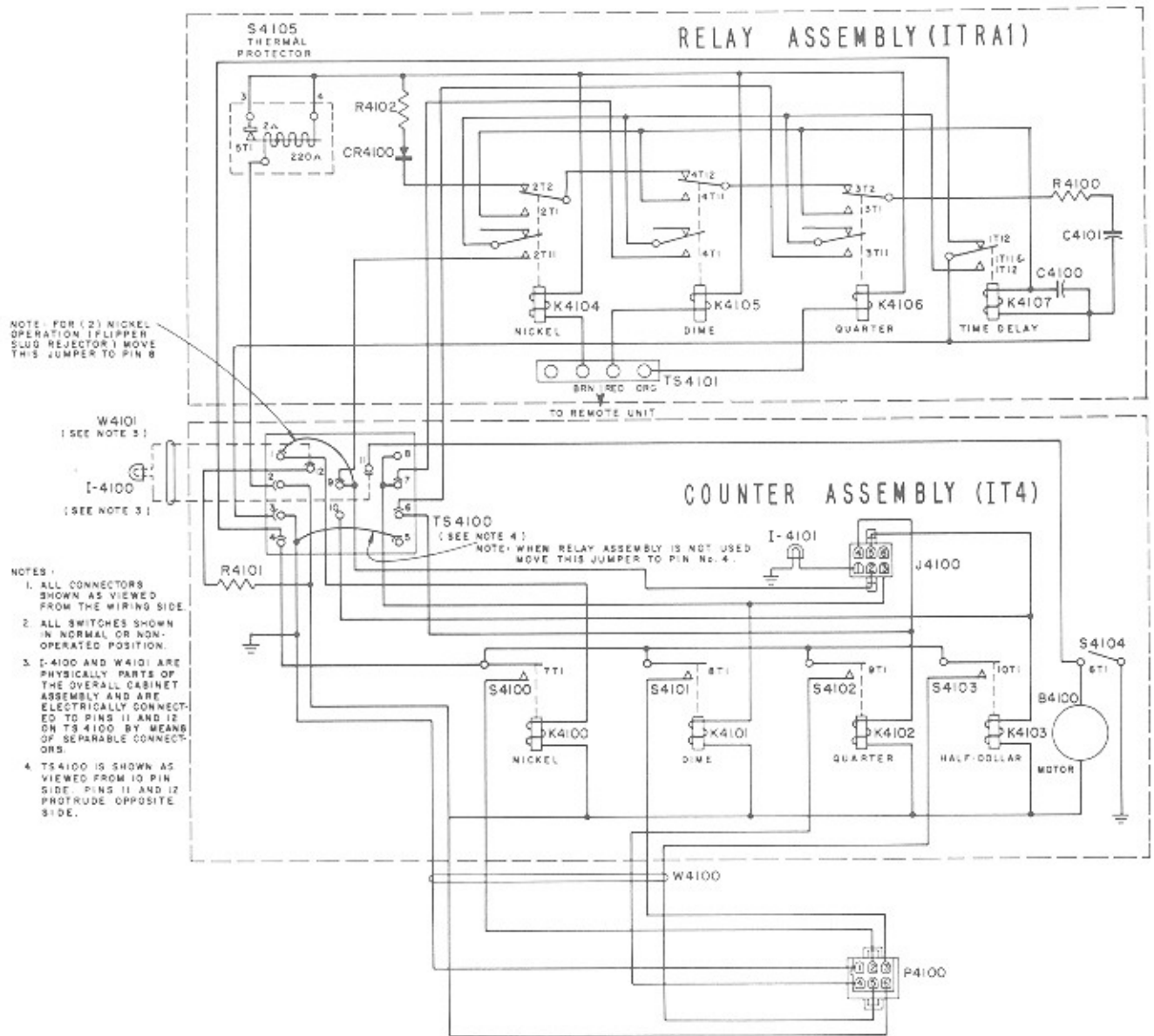
SWITCH ADJUSTMENTS

ADD MOTOR SWITCH



NOTE: Contacts 1T1 and 1T21 are used as springs and should be adjusted so that they make before contacts 1T11.

INCOME TOTALIZER, Type IT4R-56



Item	Part No.	Description	Item	Part No.	Description
B4100	452116	Motor & Gear Reduction Assem.	P4100	309306	6 Contact Pin Housing
C4100	87695	100 Mfd 50 V. Electrolytic	R4100	82403	Resistor 18 Ohm ½ W.
C4101	87695	100 Mfd 50 V. Electrolytic	R4101	81178	Resistor 65 Ohm 10 W.
CR4100	309387	Rectifier	R4102	82408	Resistor 47 Ohm ½ W.
I 4100	487788	No. 57 Panel Lamp	S4100		
I 4101	452386	No. 93 Lamp	S4101		
J 4100	309365	6 Contact Socket Housing	S4102	452102	Switch Assembly
K4100	452038	Solenoid Coil Nickel	S4103		
K4101	452039	Solenoid Coil Dime	S4104	452070	Switch
K4102	452040	Solenoid Coil Quarter	S4105	452194	Thermal Cutout
K4103	452041	Solenoid Coil Half - Dollar	TS4100	452119	Terminal Board Assembly
K4104	452154	Relay	TS4101	452147	Terminal Strip
K4105	452154	Relay	W4100	453177	Cable Assembly
K4106	452154	Relay	W4101	487779	Totalizer Aux. Light Cable Assem.
K4107	452155	Relay			