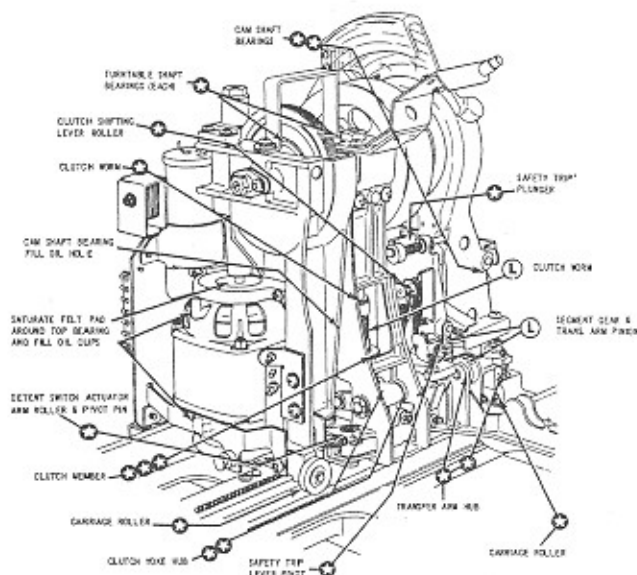


LUBRICATION CHART

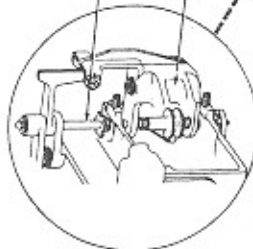
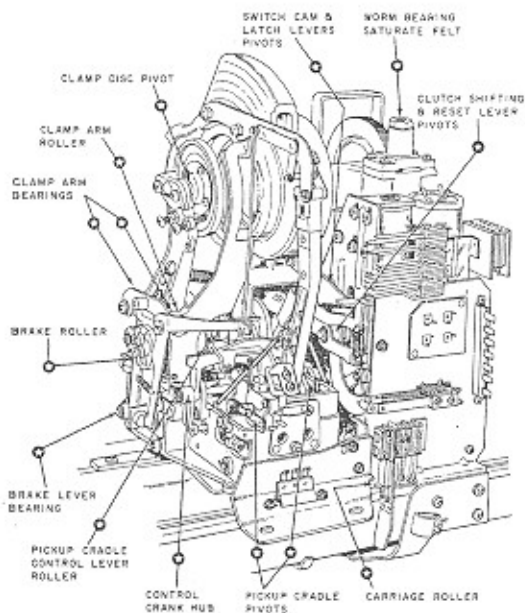
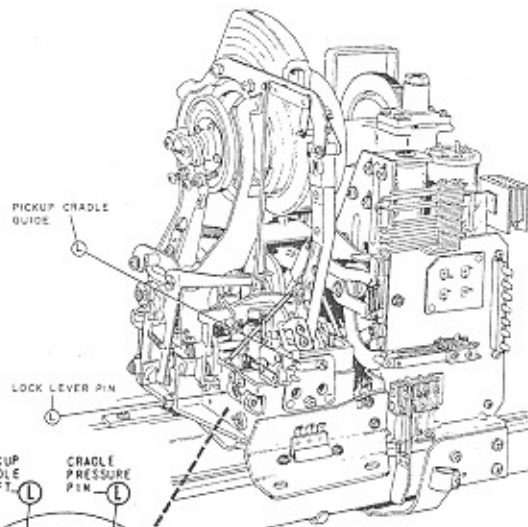
(Mechanism with Stereo Pickup)



OIL ALL ROLLER PIVOT BEARINGS - 1 OR 2 DROPS

USE AERO LUBRIPLATE** SPARINGLY EVERY SIX MONTHS

USE SEEBURG SPECIAL PURPOSE OIL* EVERY SIX MONTHS IN AMOUNT SHOWN 1 DROP FOR EACH

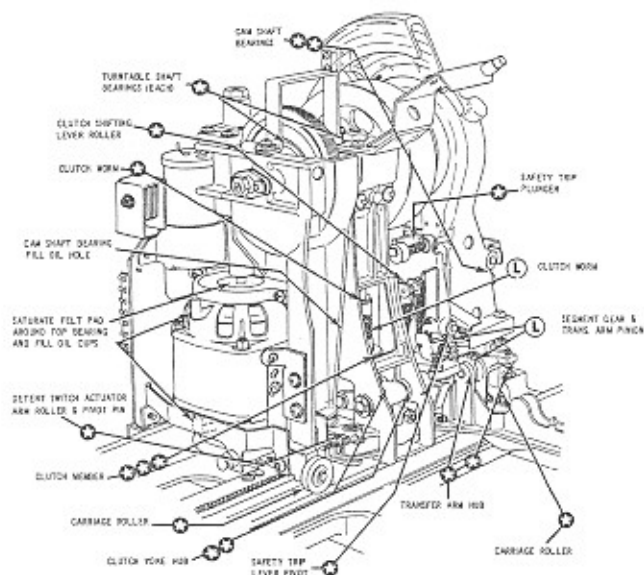


* SEEBURG SPECIAL PURPOSE OIL NO. 53014 MAY BE OBTAINED FROM YOUR SERVICE PARTS DEPARTMENT AT YOUR DISTRIBUTOR.

** AERO LUBRIPLATE MAY BE OBTAINED FROM YOUR SERVICE PARTS DEPARTMENT AT YOUR DISTRIBUTOR.

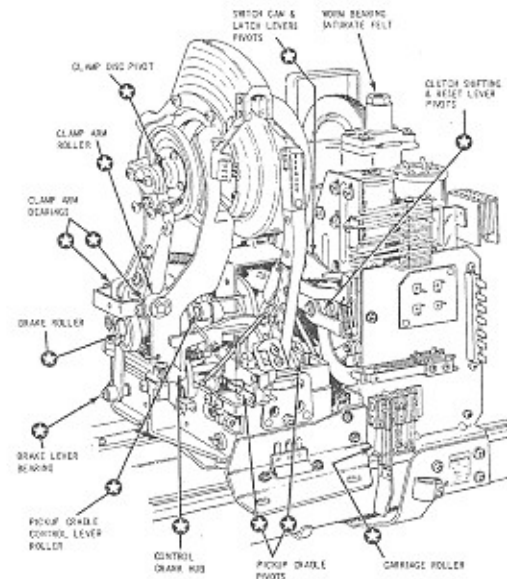
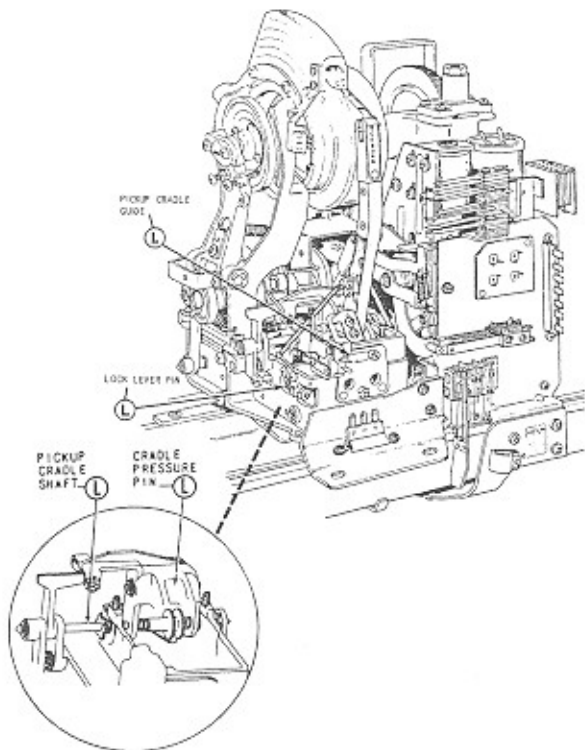
LUBRICATION CHART

OIL ALL ROLLER PIVOT BEARINGS - 1 OR 2 DROPS



USE AERO LUBRIPLATE** SPARINGLY EVERY SIX MONTHS

USE SEEBURG SPECIAL PURPOSE OIL* EVERY SIX MONTHS IN AMOUNT SHOWN 1 DROP FOR EACH



* SEEBURG SPECIAL PURPOSE OIL NO. 53014 MAY BE OBTAINED FROM YOUR SERVICE PARTS DEPARTMENT AT YOUR DISTRIBUTOR.

** AERO LUBRIPLATE MAY BE OBTAINED FROM YOUR SERVICE PARTS DEPARTMENT AT YOUR DISTRIBUTOR.