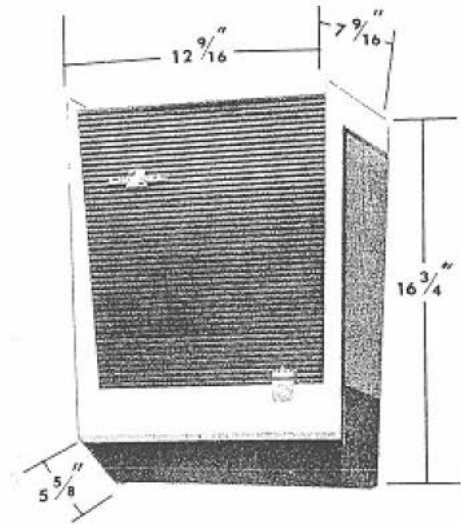
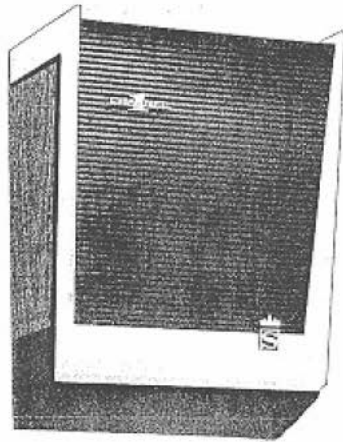


SEEBURG

SEEBURG TWIN STEREOPHONIC SPEAKERS Type TW1-8C1, TW1-8C2, TC1-8C1 and TC1-8C2

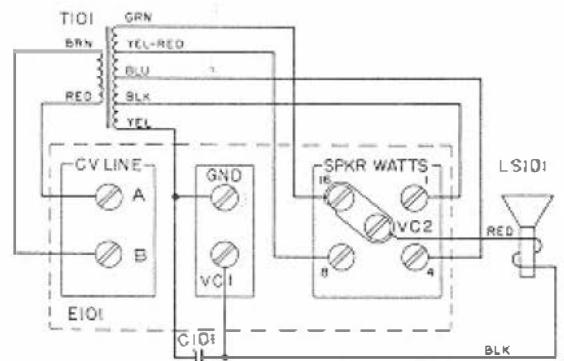


SPECIFICATIONS

- Size.....8 inch.
 Type.....Constant Voltage, 70-Volt line
 Power Rating.....16 watts (each)(Taps at
 16, 8, 4 and 1 watts)
 Net Weight.....15 Pounds (2 speakers)
 Shipping Weight ...22 Pounds (2 speakers)

The Seeburg Twin Stereophonic Speakers are specifically designed to be used in pairs. Each speaker carries its own channel identification. The TW1-8C1 and TW1-8C2 speakers illustrated above are intended for wall installation. The TC1-8C1 and TC1-8C2 are for corner mounting. The wall type TW1-8C1 and TW1-8C2 may be converted for corner mounting with the Type "CA1" Corner Adapter.

Connection to the speaker is made at the terminal board located at the top of the cabinet. The 70-volt CV line output terminals of the amplifier are connected by means of suitable speaker cable. To select the desired power output, move the SPEAKER WATTS link to the proper terminal.



Schematic Diagram

INSTALLATION INSTRUCTIONS

Using the template, mark the location of the speaker mounting holes. Screw in the No. 8 wood screws (provided) allowing about 1/2 inch clearance between the heads and the wall. Place the cabinet into position and, allowing the screw heads to enter the slots in the back, move the cabinet downward until the screw shanks are wedged in the slots.

PARTS LIST

| Part Number | Part Name |
|-------------|-----------------------|
| 502830 | Speaker Housing |
| 502848 | Transformer (T101) |
| 502850 | Terminal Panel (E101) |
| 87671 | Condenser (C101) |
| 502842 | 8 Inch Speaker |
| 502851 | Speaker Housing Back |

SEEBURG

CORNER ADAPTER, Type "CA1"

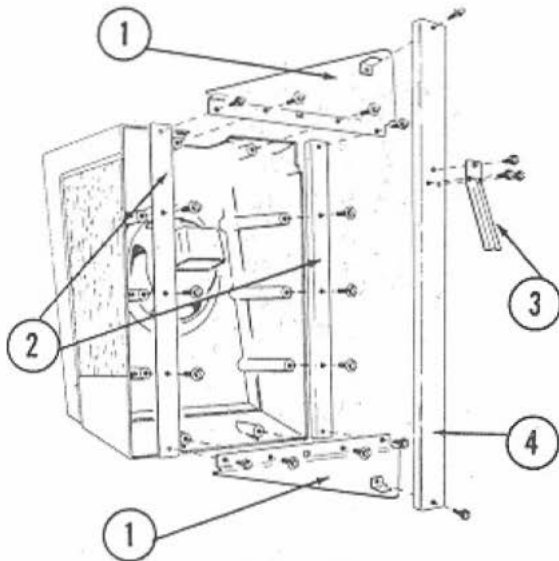


Figure 1



Figure 2

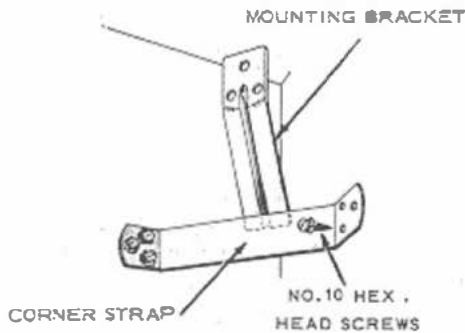


Figure 3

PARTS LIST

| Item No. | Part No. | Description |
|----------|----------|--|
| 1 | 502874 | End Plate Assembly |
| 2 | 502872 | Side Rail |
| 3 | 502726 | Mounting Bracket |
| 4 | 502877 | Channel |
| - | 502718 | Corner Strap |
| - | 502880 | Mounting Screw Kit |
| - | 960980 | 8-32 X 1/4 Slotted Indent. Hex Washer H. Self Tap. Screw |

The Seeburg Corner Adapter, Part No. 502881 is to be used in converting the TW1 series Seeburg Twin Stereo Speakers so they are the same as type TCI-8C1 and TCI-8C2 for corner mounting.

The adapter is shipped disassembled as a package of 2 each and must be put together as shown in *Figure 1*.

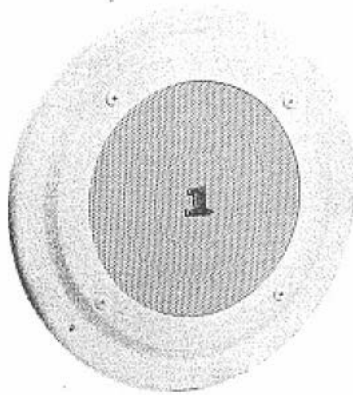
The speaker housing back is then removed and the corner adapter screwed in its place (*Figure 2*).

Attach the mounting strap to the wall with the No. 10 self tapping screws (two different lengths are provided). A minimum of 11 inches should be allowed between the ceiling and the top of the mounting strap to insure sufficient clearance so that the cabinet may be lifted high enough for the cabinet hanger to clear the mounting strap (*Figure 3*).

SEEBURG

SEEBURG TWIN STEREO RECESSED SPEAKERS

Type "TR1-8C1" and "TR1-8C2"



SPECIFICATIONS

Size..... 8 Inch
Type..... Constant Voltage, 70-Volt line
Power Rating..... 16 watts (each) (Taps at
16, 8, 4 and 1 watts)
Net Weight..... 10 Pounds (2 speakers)
Shipping Weight..... 13 Pounds (2 speakers)

The Type "TR1-8C1" and "TR1-8C2" speakers are specifically designed to be used in pairs for recessed wall and ceiling installations. Each speaker carries its own channel identification.

INSTALLATION

The speakers may be installed directly in a wall or ceiling as follows:

1. THE MINIMUM DEPTH REQUIRED FOR RECESSING THIS SPEAKER IS $4\frac{1}{2}$ " FROM THE SURFACE OF THE WALL OR CEILING. However, sufficient additional clearance should be available to prevent any interference. Locate the exact position in which the speaker is to be mounted. Make certain no stud will interfere with mounting of the speaker by tapping the surface or drilling a series of very fine holes.
2. Scribe an $8\frac{1}{4}$ " diameter circle.

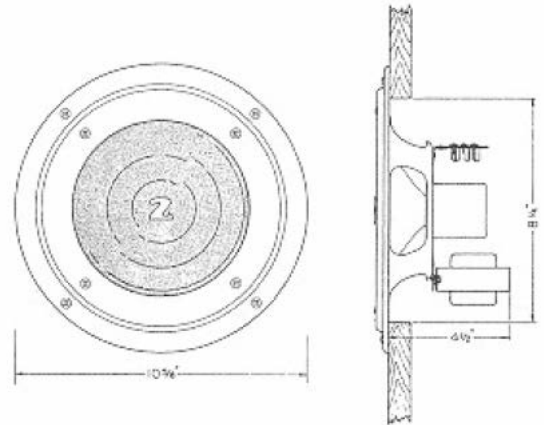


Figure 3.

3. Cut out with a compass saw.
4. The speaker, with its attached grille, is now ready to be fastened in place after wiring.
5. The volume of the space in back of the speaker should be as large as possible. The back of the speaker should not be enclosed or "boxed" in. For optimum performance, the minimum air space in back of the speaker should not be less than 6 cubic feet.

Use Mounting Rings, Part number 502931, available from your Seeburg Distributor, when installing the speakers in a plaster or composition wall or ceiling

1. Follow the instructions outlined in previous step 1.

2. Mark midpoints on the ring. They must coincide with a plumb line (*figure 4a*) to insure vertical alignment of the installed wall speaker. A similar center-line mark should be used for orientation in ceiling installations.
3. Scribe a 9" diameter circle about the center mark and cut out the wall or ceiling along the circle.
4. Fasten the mounting ring as shown in *Figure 4b*.
5. The speaker, with its attached grille, is now fastened in place (*figure 4c*) after wiring.

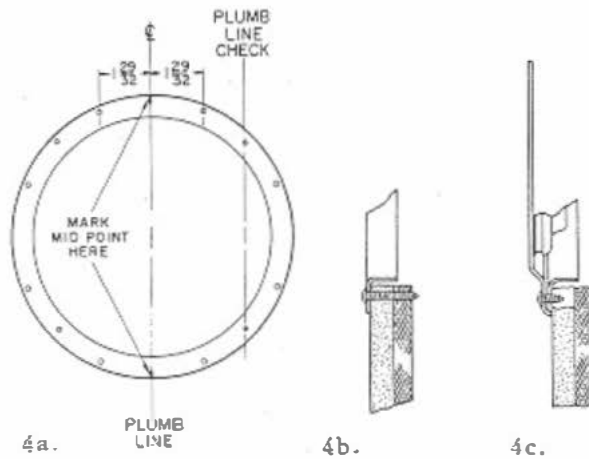


Figure 4.

Installations of speakers in new construction require the use of Plaster Rings, Part number 502932, available from your Seeburg Distributor.

1. Apply previous step 1.
2. Nail 2 by 2's in place and install Plaster Ring as shown in *figure 5* after lath has been applied.
3. After plastering is completed, install the speaker (*figure 6*).

The speaker and grille assembly can be removed for adjustment or service without disturbing the Mounting Ring or Plaster Ring. All that is necessary is the removal of four screws on the outer edge of the speaker grill.

SPEAKER WIRING

Connection to the speaker is made at the terminal board located at the top of the cabinet. The 70-Volt CV line output terminals of the amplifier are connected by means of suitable speaker cable. To select the desired power output, move the SPEAKER WATTS link to the proper terminal. Refer to the Stereo Phonograph Installation Manual for placement and connections of complete speaker system.

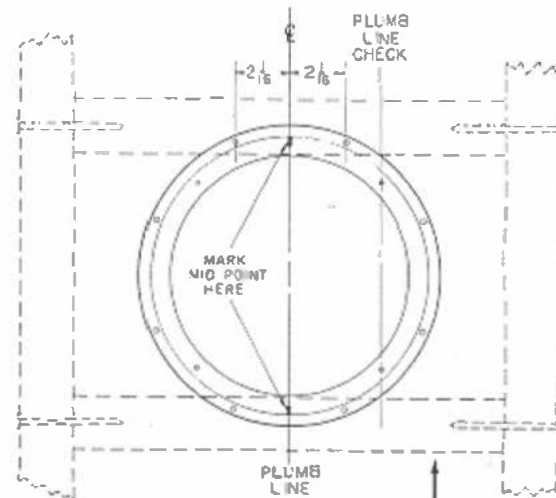


Figure 5.

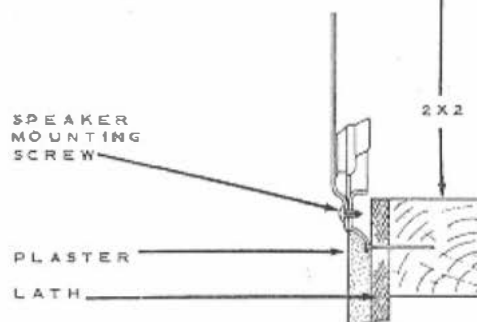


Figure 6.

PARTS LIST

| PART NO. | PART NAME |
|----------|-----------------------------|
| 502842 | SPEAKER |
| 502916 | SPEAKER GRILLE ASSEMBLY |
| 502866 | GRILLE ORNAMENT (CHANNEL 1) |
| 502917 | SPEAKER GRILLE ASSEMBLY |
| 502867 | GRILLE ORNAMENT (CHANNEL 2) |
| 502842 | SPEAKER |
| 502848 | TRANSFORMER (T 10 1) |
| 502919 | TERMINAL PANEL (E 10 1) |
| 87571 | CONDENSER (C 10 1) |