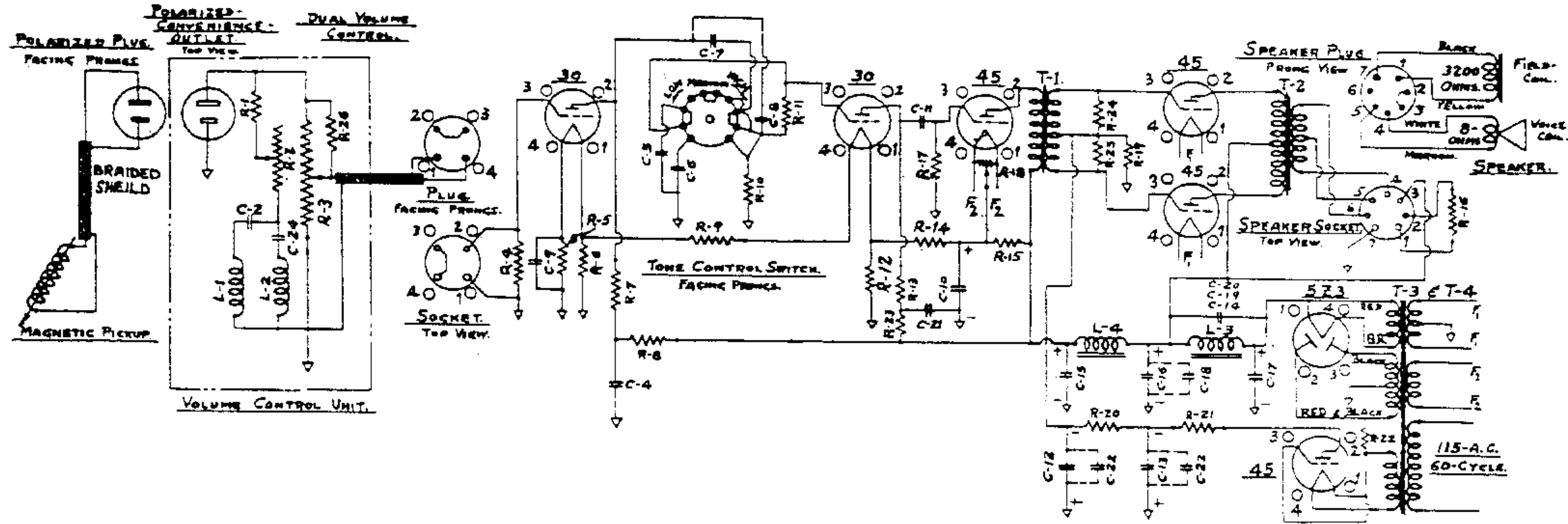
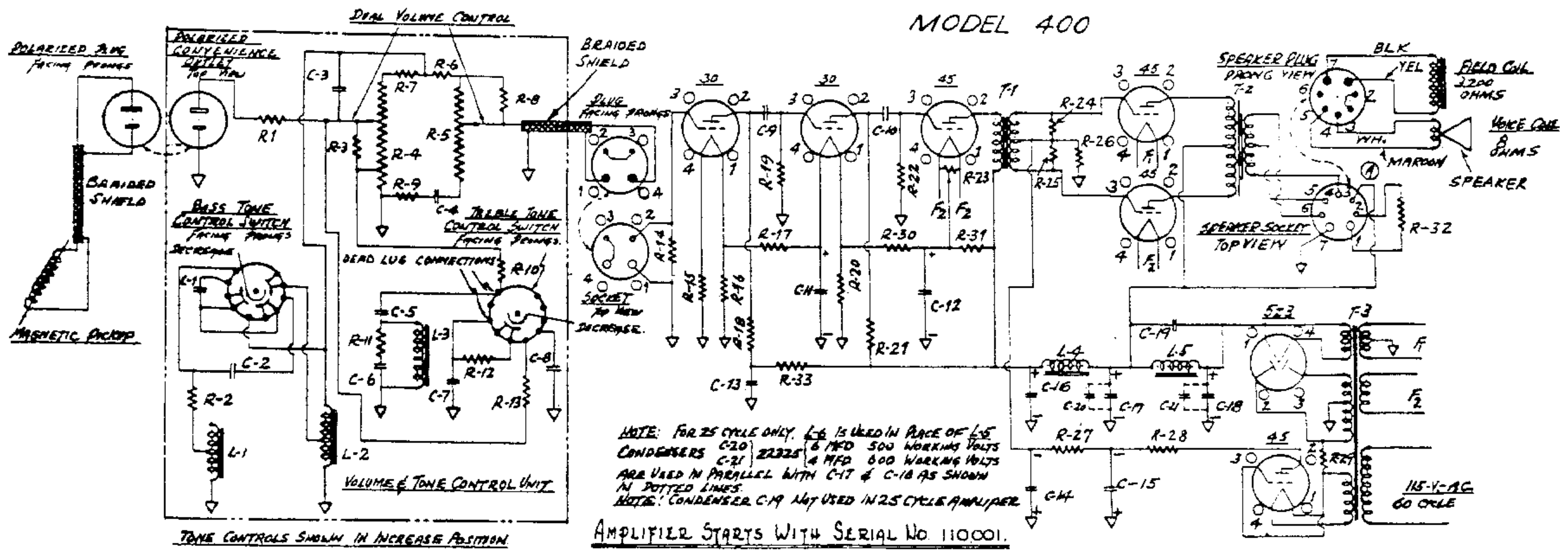


MODELS 316, 416, 616, 616 A & 716



MODEL 400



THE RUDOLPH WURLITZER CO.

MODELS 316, 416,
616, 616A, 716
MODEL 400

ITEM	PART NO.	VALUE	REMARKS
RESISTORS			
R-1	22530	1,000 OHMS	-10% 1/4 WATT
R-2	22765	12,000 "	-15% VOLUME CONTROL
R-3		150,000 "	-15% "
R-4	20750	500,000 "	-20% 1/4 WATT
R-5	22354	65 "	- 5% 1/2 "
R-6	22323	2,000 "	-10% 1 "
R-7	21938	100,000 "	-10% 1/4 "
R-8	21939	50,000 "	-10% 1/4 "
R-9	23014	100 "	- 5% 1/2 "
R-10	20750	500,000 "	-20% 1/4 "
R-11	20266	75,000 "	-10% 1/4 "
R-12	22323	2,000 "	-10% 1 "
R-13	23208	60,000 "	-10% 1/2 "
R-14		575 "	BLEEDER 4 "
R-15	23015	9,000 "	" 30 "
R-16		2,500 "	" 33 "
R-17	20728	250,000 "	-20% 1/4 "
R-18	20445	20 "	HUM CONTROL
R-19	23012	5,000 "	- 5% 10 WATT
R-20	23011	2,000 "	- 5% 10 "
R-21	23011	2,000 "	- 5% 10 "
R-22	23013	3,500 "	- 5% 10 "
R-23	23084	25,000 "	-10% 1/4 "
R-24	26358	7,000 "	-10% 1/2 "
R-25	26358	7,000 "	-10% 1/2 "
R-26	21939	50,000 "	-10% 1/4 "
CONDENSERS			
C-1	C		
C-2	20665	.25 MFD	-10% 200 VOLT
C-3			
C-4	24321	2. "	450 VOLT
C-5	24280	.00075 "	-10%-20% MICA
C-6	22241	.002 "	-10% "
C-7	21993	.05 "	-20% 400 VOLT
C-8	26560	.004 "	-10% 600 "
C-9	24279	10. "	25 "
C-10	24775	25. "	150 "
C-11	21736	.1 "	-20% 400 "
C-12		8. "	150 "
C-13	23021	8. "	150 "
C-14	20665	.25 "	FOR 60 - CYCLE
C-15	21720	25 "	450 VOLT
C-16	22325	6 "	500 "
C-17		4. "	600 "
C-18	21720	25. "	FOR 25 40 - CYCLE
C-19	24363	1. "	FOR 25 - 30 "
C-20	24364	.5 "	FOR 40 - CYCLE
C-21	24321	2. "	450 VOLT
C-22	23021	8 - 8 "	FOR 25 - 30 CYCLE
C-23			
C-24	22241	.002 MFD	-10% MICA

CHOKES			
L-1	21693	540 - M. H.	CHOKE COIL
L-2	24305	290 " "	" "
L-3	21550	8.75 HENRIES	#1 FILTER CHOKE
L-4	23017	2 " "	#2 " "

TRANSFORMERS			
T-1	21548		AUDIO INPUT
T-2	23019		AUDIO OUTPUT
T-3	24527	60 - CYCLE	POWER
T-4	24526	25 - CYCLE	POWER

VOLTAGES AND CURRENTS OF MODEL - #771 - AMPLIFIER. ALL MEASUREMENTS MADE WITH LINE VOLTAGE 115 - VOLTS. ALL VOLTAGES MEASURED WITH 1,000 OHMS PER VOLT VOLTMETER.

AVERAGE PLATE VOLTAGE MEASURED FROM PLATE TO CHASSIS -

OUTPUT	- 45	355 - VOLTS D.C.
DRIVER	- 45	#27 - VOLTS D.C.
	- 30	175 - VOLTS D.C.
	- 30	80 - VOLTS D.C.

AVERAGE PLATE CURRENT:-

OUTPUT	- 45	28.0 - M.A. D.C.
DRIVER	- 45	38.0 - " " " "
	- 30	2.1 - " " " "
	- 30	1.5 - " " " "

AVERAGE GRID VOLTAGE MEASURED FROM GRID TO FILAMENT

OUTPUT	- 45	87 - VOLTS D.C.
DRIVER	- 45	40 - " " " "

AVERAGE FILAMENT VOLTAGE:-

RECTIFIER	523	5.0 - VOLTS A.C.
OUTPUT	- 45	2.5 - " " " "
DRIVER	- 45	2.5 - " " " "
	- 30	2.1 - " D.C.

AVERAGE VOLTAGES ACROSS SPEAKER FIELDS AND ELECTROLYTIC CONDENSERS
 3,200 - OHM SPEAKER FIELD VOLTAGE MEASURED FROM #1 - CONTACT TO # 7 CONTACT ON SPEAKER SOCKET 205 - VOLTS D.C.
 2,500 - OHM AUXILIARY SPEAKER FIELD VOLTAGE MEASURED FROM #1 - CONTACT TO #3 CONTACT ON SPEAKER SOCKET 155 - VOLTS D.C.

C-17	ELECTROLYTIC	385 - VOLTS D.C.
C-16	"	360 - " " " FROM RECTIFIER - 45 PLATE -
C-15	"	355 - " " " TO CHASSIS 150 - VOLTS D.C.

ITEM	PART NO.	VALUE	REMARKS
RESISTORS			
R-1	22529	2,000 OHMS	-10% 1/4 WATT
R-2	21999	800 "	-10% 1/4 "
R-3	20267	15,000 "	-10% 1/4 "
R-4		100,000 "	-15% VOLUME CONTROL
R-5	23215	150,000 "	-15% "
R-6	23208	60,000 "	-10% 1/2 WATT
R-7	21938	100,000 "	-10% 1/4 "
R-8	20750	500,000 "	-20% 1/4 "
R-9	22529	2,000 "	-10% 1/4 "
R-10	20787	5,000 "	-10% 1/4 "
R-11	20787	5,000 "	-10% 1/4 "
R-12	20704	3,500 "	-10% 1/4 "
R-13	20704	3,500 "	-10% 1/4 "
R-14	20750	500,000 "	-10% 1/4 "
R-15	22354	65 "	- 5% 1/2 "
R-16	22323	2,000 "	- 5% 1 "
R-17	23014	100 "	- 5% 1/2 "
R-18	21938	100,000 "	-10% 1/4 "
R-19	20728	250,000 "	-20% 1/4 "
R-20	22323	2,000 "	- 5% 1 "
R-21	23204	60,000 "	-10% 1/2 "
R-22	20855	150,000 "	-10% 1/4 "
R-23	20445	20 "	HUM CONTROL
R-24	22322	25,000 "	-10% 1/2 WATT
R-25	22322	25,000 "	-10% 1/2 "
R-26	23012	5,000 "	- 5% " 10 "
R-27	23011	2,000 "	- 5% " 10 "
R-28	23011	2,000 "	- 5% " 10 "
R-29	23013	3,500 "	-10% " 10 "
R-30		575 "	BLEEDER 4 "
R-31	23015	9,000 "	" 30 "
R-32		2,500 "	" 33 "
R-33	20266	75,000 "	10% 1/4 "
CONDENSERS			
C-1	21990	.25 MFD	-10% 200 VOLT
C-2	22535	.75 "	-10% 20% 200 VOLT
C-3	23221	.18 "	-10% 200 VOLT
C-4	22544	.15 "	-10% 200 "
C-5	22544	.15 "	-10% 200 "
C-6	22589	.0025 "	-10% "
C-7	22532	.004 "	-10% "
C-8	22534	.015 "	-10% 200 VOLT
C-9	21993	.05 "	-20% 400 "
C-10	21736	.1 "	-20% 400 "
C-11	23010	10 "	25 "
C-12	23009	12 "	150 "
C-13	20775	.5 "	-25% 400 "
C-14		8 "	150 "
C-15	23021	8 "	150 "
C-16		25 "	450 "
C-17	23020	6 "	500 "
C-18		4 "	600 "
C-19	22121	1.25 "	-10% 200 "

		CHOKES
L-1	22514	CHOKE TONE CONTROL
L-2	223216	RESISTOR TONE CONTROL
L-3	23217	CHOKE ASSEMBLY
L-4	23018	#2 FILTER CHOKE
L-5	23017	#1 FILTER CHOKE
L-6	23746	CHOKE
		TRANSFORMERS
T-1	21548	AUDIO INPUT
T-2	23014	AUDIO OUTPUT
T-3	23016	POWER TRANSFORMER

VOLTAGES AND CURRENTS OF MODEL #671-AMPLIFIER. ALL MEASUREMENTS MADE WITH LINE VOLTAGE 115-VOLTS. ALL VOLTAGES MEASURED WITH 1,000-OHMS PER VOLT VOLTMETER

AVERAGE PLATE VOLTAGE MEASURED FROM PLATE TO CHASSIS-		
OUTPUT	-45	355-VOLTS D.C.
DRIVER	-45	327-VOLTS D.C.
	-30	175-VOLTS D.C.
	-30	80-VOLTS D.C.

AVERAGE PLATE CURRENT:-		
OUTPUT	-45	28.0-M.A. D.C.
DRIVER	-45	38.0-M.A. D.C.
	-30	2.1- M.A.D.C.
	-30	1.5-M.A. D.C.

AVERAGE GRID VOLTAGE MEASURED FROM GRID TO FILAMENT		
OUTPUT	-45	87 VOLTS D.C.
DRIVER	-45	40 VOLTS D.C.

AVERAGE FILAMENT VOLTAGE:-		
RECTIFIER	5Z3	5.0 VOLTS A.C.
OUTPUT	-45	2.5 VOLTS ALC.
DRIVER	-45	2.5 VOLTS A.C.
	-30	2.1 VOLTS D.C.

AVERAGE VOLTAGES ACROSS SPEAKER FIELDS AND ELECTROLYTIC CONDENSERS. 3200-OHM SPEAKER FIELD VOLTAGE MEASURED FROM #1-CONTACT TO #7-CONTACT ON SPEAKER SOCKET 205-VOLTS D.C. 2500-OHM AUXILIARY SPEAKER FIELD VOLTAGE MEASURED FROM #1-CONTACT TO #3 CONTACT ON SPEAKER SOCKET 155-VOLTS D.C.

C-18	ELECTROLYTIC	385-VOLTS D.C.
C-17	ELECTROLYTIC	360-VOLTS D.C.
C-16	ELECTROLYTIC	355-VOLTS D.C.

FROM RECTIFIER - 45PLATE - TO CHASSIS 150-VOLTS D.C.