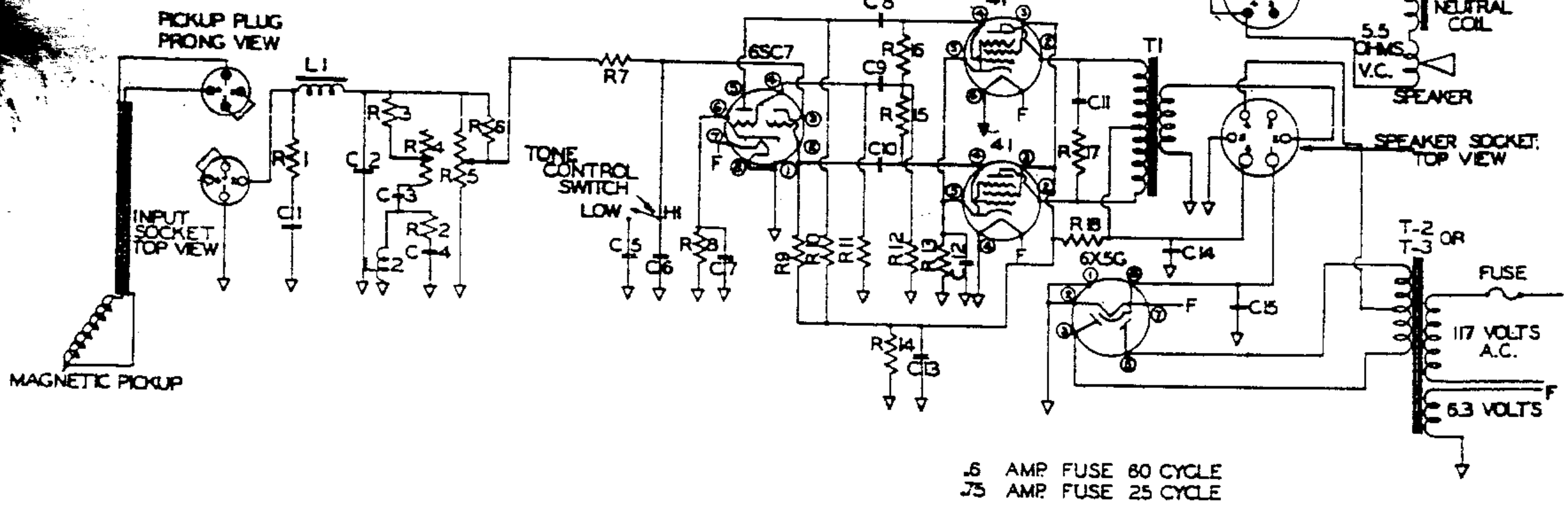


MODEL 41  
MODEL 51

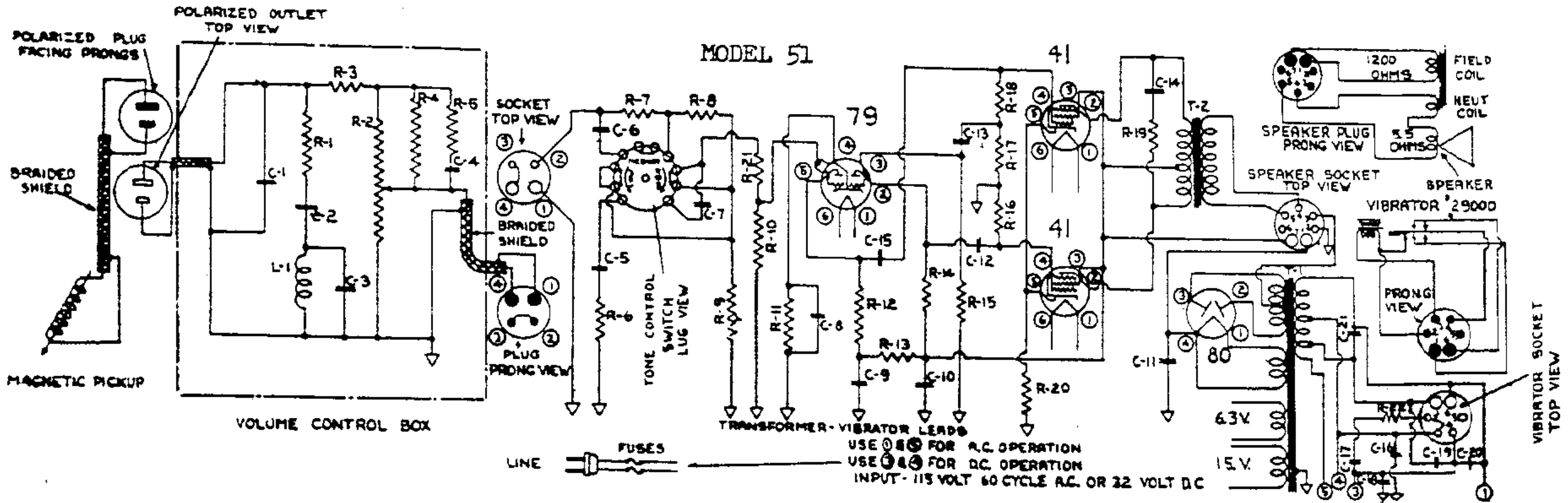
THE RUDOLPH WURLITZER CO.

### MODEL 41



.6 AMP FUSE 60 CYCLE  
75 AMP FUSE 25 CYCLE

### MODEL 51



TRANSFORMER-VIBRATOR LEADS  
USE ①②③ FOR A.C. OPERATION  
USE ④⑤⑥ FOR D.C. OPERATION  
INPUT - 115 VOLT 60 CYCLE A.C. OR 22 VOLT D.C.

ITEM	PART NO.	VALUE	REMARKS	CHOKES
RESISTORS				
R-1	22530	1,000 OHMS	-10% 1/3 WATT	L-1 35933 290 M.H. COIL
R-2	22530	1,000 "	-10% 1/3 "	L-2 35917 400 " " COIL
R-3	35945	100 "	-10% 1/3 "	
R-4	35931	1,000 "	DUAL VOLUME CONTROL	TRANSFORMERS
R-5	150,000	"		T-1 35919 AUDIO OUTPUT
R-6	35946	27,000 "	-10% 1/3 WATT	T-2 35915 50-60 CYCLE POWER
R-7	35925	82,000 "	-10% 1/3 "	T-3 37264 25 CYCLE POWER
R-8	35926	2,700 "	-10% 1/3 "	
R-9	22528	220,000 "	-10% 1/3 "	VOLTAGES AND CURRENST OF MODEL 041 AMPLIFIER
R-10	22528	220,000 "	-10% 1/3 "	ALL MEASUREMENTS MADE WITH LINE VOLTAGE 117 VOLTS
R-11	35924	560,000 "	-10% 1/3 "	60 OR 25 CYCLES A.C.
R-12	20855	150,000 "	-10% 1/3 "	ALL VOLTAGES MEASURED WITH 1000 OHMS PER VOLT
R-13	35928	390 "	-10% 1 "	VOLTMETER
R-14	35922	82,000 "	-10% 1 "	(ALL VOLTAGES OVER 50 VOLTS USE 500 VOLT SCALE)
R-15	35923	330,000 "	-10% 1/3 "	
R-16	35923	330,000 "	-10% 1/3 "	
R-17	35929	15,000 "	-10% 1/2 "	AVERAGE PLATE AND SCREEN VOLTAGE
R-18	35921	4,700 "	-10% 1 "	MEASURED TO CHASSIS
CONDENSERS				
C-1	35940	.003 MFD	-10% 100 W.V.	6SC7 PLATE 149 VOLTS D.C.
C-2	35943	.005 "	-20% 100 " "	41 PLATE 321 VOLT D.C. SCR'N 258 VOLT D.C.
C-3	35941	.5 "	-10% 100 " " "	AVERAGE PLATE CURRENT
C-4	35942	.008 "	-10% 100 " " "	6SC7 .4 MILLS. D.C.
C-5	35927	.001 "	-10% 200 " " "	41 23. MILLS. D.C.
C-6	35930	.0006 "	-10% 200 " " "	AVERAGE BIAS VOLTAGE MEASURED
C-7	36432	20 "	25 " " "	FROM CATHODE TO CHASSIS
C-8	22850	.01 "	-10% 400 " " "	6SC7 2.25 VOLTS D.C.
C-9	22850	.01 "	-10% 400 " " "	41 20.5 VOLTS D.C.
C-10	22850	.01 "	-10% 400 " " "	
C-11	35989	.006 "	-10% 1200 " " "	AVERAGE FILAMENT VOLTAGE
C-12	35920	20 "	25 " " "	6SC7 6.3 VOLTS A.C.
C-13		10 "	350 " " "	41 6.3 VOLTS A.C.
C-14	35920	10 "	350 " " "	6X5G 6.3 VOLTS A.C.
C-15		10 "	450 " " "	

AVERAGE VOLTAGE ACROSS C ONDENSER C13 267 VOLTS D.C.  
 CONDENSER C14 323 VOLTS D.C. - CONDENSER C15 370 VOLTS D.C.

SPEAKER F IELD 820-OHMS. BETWEEN T ERMINALS 1 & 6 ON  
 SPEAKER SOCKET 48 VOLTS D.C.

ITEM	PART NO.	VALUE	REMARKS
RESISTORS			
R-1	25418	1,500 OHMS	-10% 1/4 WATT
R-2	25679	100,000 "	VOLUME CONTROL
R-3	22588	3,000 "	-10% 1/4 WATT
R-4	21936	100,000 "	-10% 1/4 "
R-5	25575	200,000 "	-10% 1/4 "
R-6	21200	10,000 "	-10% 1/4 "
R-7	20266	75,000 "	-10% 1/4 "
R-8	21200	10,000 "	-10% 1/4 "
R-9	21938	100,000 "	-10% 1/4 "
R-10	25911	250,000 "	-10% 1/4 1/2 "
R-11	22588	3,000 "	-10% 1/4 "
R-12	25575	200,000 "	-10% 1/4 "
R-13	20266	75,000 "	-10% 1/4 "
R-14	20728	250,000 "	-20% 1/4 "
R-15	20728	250,000 "	-20% 1/4 "
R-16	25432	500,000 "	-10% 1/4 "
R-17	21200	10,000 "	-10% 1/4 "
R-18	25432	500,000 "	-10% 1/4 "
R-19	25574	15,000 "	-10% 1 "
R-20	25573	250 "	- 5% 10 "
R-21	25910	50,000 "	- 5% 1/4 "
R-22	22530	1,000 "	-10% 1/4 "
CONDENSERS			
C-1	25680	.008 MFD	-10% 200 W.V.
C-2	20665	.25 "	-10% 200 " "
C-3	22531	.003 "	-10% MICA
C-4	25680	.008 "	-10% 200 W.V.
C-5	22589	.0025 "	-10% MICA
C-6	22532	.004 "	-10% "
C-7	22589	.0025 "	-10% "
C-8	23010	10. " 1/2	25 W.V.
C-9	22320	.3 " 1/2	20%-10% 400 W.V.
C-10	25570	25. "	450 W.V.
C-11	21993	8. "	500 " "
C-12	21993	.05 "	-10% 400 " "
C-13	21993	.05 "	-10% 400 " "
C-14	22531	.003 "	-10% MICA
C-15	21993	.05 "	-10% 400 W.V.
C-16	29016	.25 "	-10% 200 " "

C-17	24329	.1	"	-10%	200	"	"
C-18	29017	.01	"	-10%	200	"	"
C-19	24364	.5	"	-10%	200	"	"
C-20	24364	.5	"	-10%	200	"	"
C-21	29164	10.	"		65	"	" AC

CHOKES			
L-1	25598	290 M.H.	CHOKER COIL
TRANSFORMERS			
T-1	29136	60 CYCLE	POWER
T-2	25571		AUDIO OUTPUT

ALL VOLTAGES MEASURED WITH 1000 OHMS PER VOLT VOLTMETER

AVERAGE PLATE VOLTAGE MEASURED FROM PLATE TO CHASSIS			
	79	115	VOLTS D.C.
	41	270	VOLTS D.C.
AVERAGE PLATE CURRENT			
	79	.35	MILLS D.C.
	41	30.	MILLS D.C.

AVERAGE BIAS VOLTAGE MEASURED FROM CATHODE TO GROUND			
	79	APPROX. 15-2	VOLTS
	41	18	VOLTS

AVERAGE FILAMENT VOLTAGE			
	79	6.3	VOLTS A.C.
	41	6.3	VOLTS A.C.
	80	5.0	VOLTS A.C.

VOLTAGE ACROSS CONDENSER C-10 - 275 VOLTS D.C.  
 VOLTAGE ACROSS CONDENSER C-11 - 360 VOLTS D.C.

SPEAKER FIELD - 1200 OHMS BETWEEN TERMINALS #1 & #7 ON SPEAKER SOCKET 90 VOLTS D.C.

VOLTAGES AND CURRENTS OF MODEL #743 AMPLIFIER ALL MEASUREMENTS MADE WITH LINE VOLTAGE 115 VOLTS 60 CYCLE A.C. OR 32 VOLTS D.C.