

ITEM	PART NO.	VALUE	REMARKS
RESISTORS			
R-1	31144	1,000 OHMS	- 5% 1/4 WATT
R-2	25679	100,000 "	VOLUME CONTROL
R-3	28153	15,000 "	- 5% 1/4 WATT
R-4	31644	100,000 "	- 5% 1/4 "
R-5	31152	200,000 "	- 5% 1/4 "
R-6	21200	10,000 "	-10% 1/4 "
R-7	20266	75,000 "	-10% 1/4 "
R-8	21200	10,000 "	-10% 1/4 "
R-9	21938	100,000 "	-10% 1/4 "
R-10	20703	300,000 "	-10% 1/4 "
R-11	22588	3,000 "	-10% 1/4 "
R-12	25575	200,000 "	-10% 1/4 "
R-13	20266	75,000 "	-10% 1/4 "
R-14	20728	250,000 "	-20% 1/4 "
R-15	20728	250,000 "	-20% 1/4 "
R-16	25432	500,000 "	-10% 1/4 "
R-17	21200	10,000 "	-10% 1/4 "
R-18	25432	500,000 "	-10% 1/4 "
R-19	25574	15,000 "	-10% 1 "
R-20	25573	250 "	- 5% 10 "
R-21	25910	50,000 "	- 5% 1/4 "
R-22	22530	1,000 "	-10% 1/4 "
CONDENSERS			
C-1	22532	.004 MFD	-10% MICA
C-2	20665	.25 "	-10% 200 W.V.
C-3	22758	.001 "	-10% MICA
C-4	25680	.008 "	-10% 200 W.V.
C-5	22589	.0025 "	-10% MICA
C-6	22532	.004 "	-10% "
C-7	22589	.0025 "	-10% "
C-8	23010	10. "	25 W.V.
C-9	22320	.5 "	20%-10% 400 W.V.
C-10	25570	25. "	450 W.V.
C-11	21993	8. "	500 W.V.
C-12	21993	.05 "	-10% 400 " "
C-13	21993	.05 "	-10% 400 " "
C-14	22531	.003 "	-10% MICA
C-15	21993	.05 "	-10% 400 W.V.
C-16	29016	.25 "	-10% 200 " "
C-17	24329	.1 "	-10% 200 " "
C-18	29017	.01 "	-10% 200 " "
C-19	24364	.5 "	-10% 200 " "
C-20	24364	.5 "	-10% 200 " "
C-21	29155	1. "	220 W.V. A.C.
C-22	25680	.008 "	-10% 200 W.V.

VOLTAGES AND CURRENTS OF MODEL #842 AMPLIFIER. ALL MEASUREMENTS MADE WITH LINE VOLTAGE 115 VOLTS D.C. OR 60 CYCLE A.C.

ALL VOLTAGES MEASURED WITH 1000 OHMS PER VOLT VOLTMETER

AVERAGE PLATE VOLTAGE MEASURED FROM PLATE TO CHASSIS:
 79 115-VOLTS D.C.
 41 270-VOLTS D.C.

AVERAGE PLATE CURRENT
 79 .35- MILLS D.C.
 41 30. - MILLS D.C.

AVERAGE BIAS VOLTAGE MEASURED FROM CATHODE TO GROUND
 79 APPROX. 1.5-2. VOLTS
 41 18 VOLTS

ITEM	PART NO.	VALUE	REMARKS
CHOKES			
L-1	25598	290 M.H.	CHOKER COIL
TRANSFORMERS			
T-1	29149	60 CYCLE	POWER
T-2	25571		AUDIO OUTPUT

AVERAGE FILAMENT VOLTAGES
 79 6.3 VOLTS A.C.
 41 6.3 VOLTS A.C.
 80 5.0 VOLTS A.C.

VOLTAGE ACROSS CONDENSER C-10 - 275 VOLTS D.C.
 VOLTAGE ACROSS CONDENSER C-11 - 360 VOLTS D.C.

THE RUDOLPH WURLITZER CO

MODELS 312, 412 D6

ITEM	PART NO.	VALUE	REMARKS
R-1	22783	RESISTORS 7,000 OHMS	-10% 1/4 WATT
R-2	22588	"	-10% 1/4 " CONTROL
R-3		15,000	DUAL VOLUME CONTROL
R-4	21600	"	DUAL VOLUME CONTROL
R-5	20787	1,500,000	-10% 1/4 WATT
R-6	22529	5,000	-10% 1/4 " WATT
R-7	22851	2,000	-10% 1/4 " WATT
R-8	21997	63	BLENDER
R-9	21200	50,000	-10% 1/2 WATT
R-10	22526	10,000	-10% 1/4 " WATT
R-11	22854	20,000	-10% 1/4 " WATT
R-12	22325	100	-5% R.D.
R-13	21841	2,000,000	-10% 1/4 WATT
C-1	22589	CONDENSERS .0025 MFD	-10% MICA
C-2	22774	.2	-10% 200 VOLT
C-3	20129	10.	25
C-4	22535	.75	-10% 200 VOLT
C-5	22850	.01	-10% 400 VOLT
C-6	21993	.05	-20% 400 " WATT
C-7	22865	1.0	(SEE NOTE) 200 VOLT
C-8	(SEE C-7)	20	" " " "
C-9	22861	.1	-20% 400 VOLT
L-1	21693	560 M. H.	AIR CORE
L-2	22866	1.35 HENRIES	POWER FILTER
T-1	22867		INPUT
T-2	22864		AUDIO OUTPUT

TRANSFORMERS

VOLTAGES AND CURRENTS OF MODEL - 651 - AMPLIFIER. ALL MEASUREMENTS MADE WITH LINE VOLTAGE 115-VOLTS D.C. ALL VOLTAGES MEASURED WITH 1000 - OHMS PER VOLT VOLTMETER

AVERAGE PLATE VOLTAGE MEASURED FROM HE PLATE TO CONTACT #7 - ON SPEAKER SOCKET

-48 110 VOLTS D.C. ~~20~~

-76 20

AVERAGE PLATE CURRENT

-48 350 - M.A.

-76 .6 - " "

AVERAGE BIAS VOLTAGE MEASURED FROM CATHODE OF TUBE TO 7 - CONTACT ON SPEAKER SOCKET

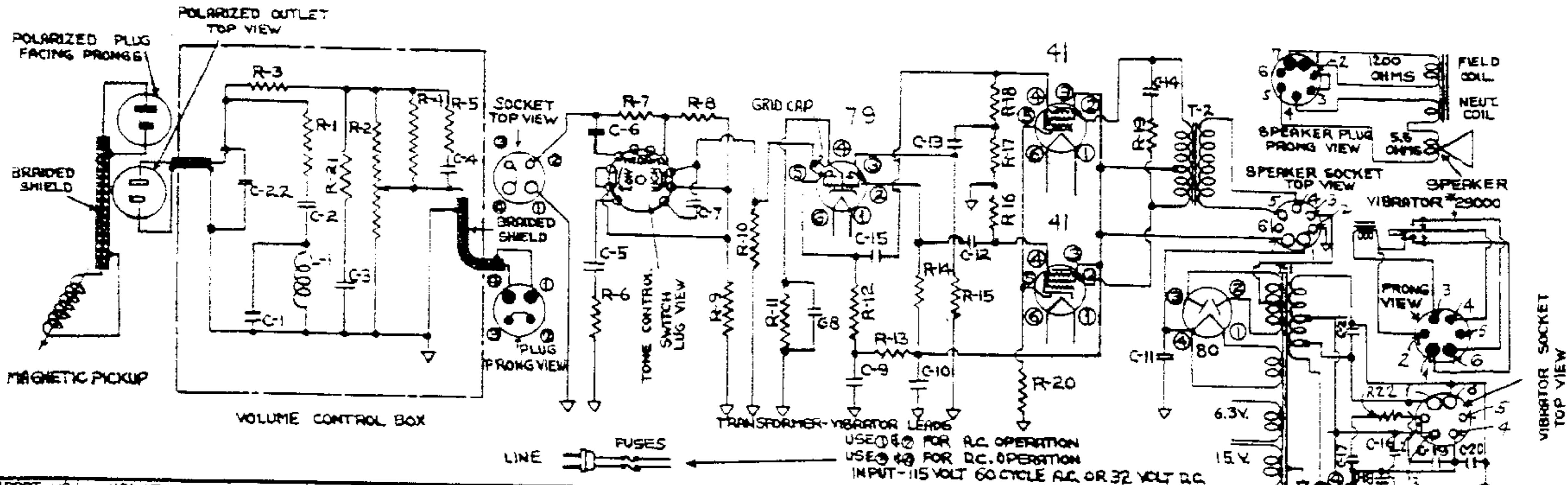
-48 19.5 - VOLTS D.C.

-76 1.0 - " "

AVERAGE FILAMENT VOLTAGE: -

-48 27.5 VOLTS D.C.

-76 6.1 " "



ITEM	PART NO.	VALUE	REMARKS	ITEM	PART NO.	VALUE	REMARKS	ITEM	PART NO.	VALUE	REMARKS	ITEM	PART NO.	VALUE	REMARKS
RESISTORS				CONDENSERS											
R-1	31144	1000 OHMS	± 5% 1/4 WATT	R-16	25432	500000 OHMS	± 10% 1/4 WATT	C-1	22532	.004 MFD	± 10% MICA	C-16	29016	.25 MFD	± 10% 200 W.V.
R-2	25679	100000 OHMS	VOLUME CONTROL	R-17	21200	10000 OHMS	± 10% 1/4 WATT	C-2	20665	.25 MFD	± 10% 200 W.V.	C-17	24329	.1 MFD	± 10% 200 W.V.
R-3	28153	15000 OHMS	± 5% 1/4 WATT	R-18	25432	500000 OHMS	± 10% 1/4 WATT	C-3	22758	.001 MFD	± 10% MICA	C-18	29017	.01 MFD	± 10% 200 W.V.
R-4	31644	100000 OHMS	± 5% 1/4 WATT	R-19	25574	15000 OHMS	± 10% 1 WATT	C-4	25680	.008 MFD	± 10% 200 W.V.	C-19	24364	.5 MFD	± 10% 200 W.V.
R-5	31152	200000 OHMS	± 5% 1/4 WATT	R-20	25573	250 OHMS	± 5% 10 WATT	C-5	22589	.0025 MFD	± 10% MICA	C-20	24364	.5 MFD	± 10% 200 W.V.
R-6	21200	10000 OHMS	± 10% 1/4 WATT	R-21	25910	50000 OHMS	± 5% 1/4 WATT	C-6	22532	.004 MFD	± 10% MICA	C-21	29164	10. MFD	65 W.V. A.C.
R-7	20266	75000 OHMS	± 10% 1/4 WATT	R-22	22530	1000 OHMS	± 10% 1/4 WATT	C-7	22589	.0025 MFD	± 10% MICA	C-22	25680	.008 MFD	± 10% 200 W.V.
R-8	21200	10000 OHMS	± 10% 1/4 WATT					CHOKES							
R-9	21938	100000 OHMS	± 10% 1/4 WATT					C-8	23010	10. MFD	25 W.V.	L-1	25598	290 MILLIHENRIES	CHOKES COIL
R-10	20703	300000 OHMS	± 10% 1/4 WATT					C-9	22320	.3 MFD	± 20% 400 W.V.				
R-11	22588	3000 OHMS	± 10% 1/4 WATT					C-10	25570	25. MFD	450 W.V.				
R-12	25575	200000 OHMS	± 10% 1/4 WATT					C-11	21993	.05 MFD	± 10% 400 W.V.	TRANSFORMERS			
R-13	20266	75000 OHMS	± 10% 1/4 WATT					C-12	21993	.05 MFD	± 10% 400 W.V.	T-1	29136	60-CYCLE	POWER
R-14	20728	250000 OHMS	± 20% 1/4 WATT					C-13	21993	.05 MFD	± 10% 400 W.V.	T-2	25571		AUDIO OUTPUT
R-15	20728	250000 OHMS	± 20% 1/4 WATT					C-14	22531	.003 MFD	± 10% MICA				
								C-15	21993	.05 MFD	± 10% 400 W.V.				

VOLTAGES AND CURRENTS OF MODEL #843 AMPLIFIER. ALL MEASUREMENTS MADE WITH LINE VOLTAGE 115 VOLTS 60 CYCLE AC OR 32 VOLTS D.C.
 ALL VOLTAGES MEASURED WITH 1000 OHMS PER VOLT VOLTMETER.

AVERAGE PLATE VOLTAGE MEASURED FROM PLATE TO CHASSIS		AVERAGE PLATE CURRENT		AVERAGE BIAS VOLTAGE MEASURED FROM CATHODE TO GROUND		AVERAGE FILAMENT VOLTAGE	
79	115 VOLTS D.C.	79	.35 MILLS D.C.	79	APPROX. 1.5-2. VOLTS	79	6.3 VOLTS A.C.
41	270 VOLTS D.C.	41	30. MILLS D.C.	41	18. VOLTS	41	6.3 VOLTS A.C.
						80	5.0 VOLTS A.C.

VOLTAGE ACROSS CONDENSER C-10 - 275 VOLTS D.C. VOLTAGE ACROSS CONDENSER C-11 - 360 VOLTS D.C.

SPEAKER FIELD - 1200 OHMS BETWEEN TERMINALS #1 & #7 ON SPEAKER SOCKET - 85 VOLTS D.C.