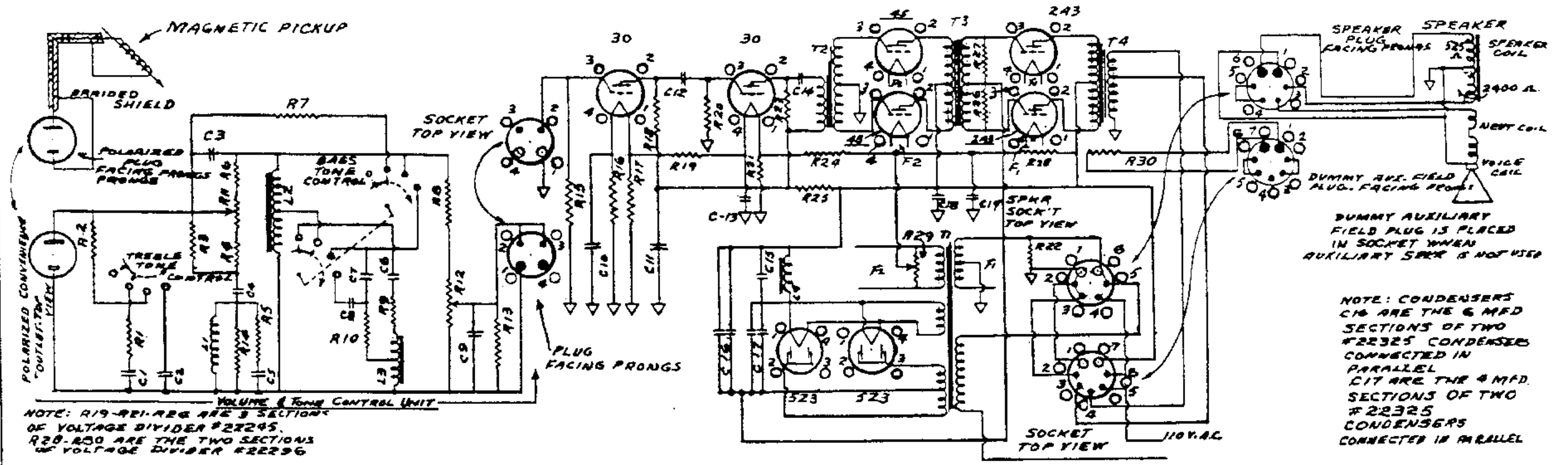


MODEL 35



ITEM	PART NO.	VALUE	REMARKS	TRANSFORMER	
				T-1 20590 AUDIO INPUT	
R-1	21200	10,000 OHMS	-10% 1/4 WATT	T-2 20767 AUDIO OUTPUT	
R-2	21200	10,000 "	-10% 1/4 "	T-3 5041 POWER TRANSFORMER	
R-3	20764	150,000 "	VOLUME CONTROL	T-4	
R-4	20750	500,000 "	-20% 1/4 WATT	T-5	
R-5	20159	65 "	- 5% 1/2 "	CHOKES	
R-6	20155	280 "	VOLTAGE DIVIDER	L-1 20765 AIR CORE	
R-7		1,850 "	" "	L-2 5048 POWER FILTER CHOKE	
R-8		7,000 "	" "	L-3	
R-9	20764	150,000 "	TONE CONTROL	SPEAKER	
R-10	4409	100,000 "	-20% 1/4 WATT	20757	FIELD - 2,500 OHMS VOICE COIL - 5.5 OHMS
R-11	20855	150,000 "	-10% 1/4 "	AVERAGE PLATE VOLTAGE MEASURED FROM	
R-12	20158	500 "	-10% 2 "	PLATE TO CHASSIS-	
R-13	20445	20 "	HUM CONTROL	OUTPUT -45	388-VOLTS D.C.
R-14	20779	1,200 "	10% 10 WATT	DRIVER -47	313-VOLTS D.C.
R-15	20264	1,500 "	10% 1/2 "	DRIVER -30	294-VOLTS D.C.
R-16	20145	4,500 "	VOLTAGE DIVIDER	AVERAGE PLATE CURRENT:-	
R-17	20145	775 "	" "	OUTPUT -45	37.0 - MA D.C.
				DRIVER -47	32.0 - MA D.C.
				AVERAGE BIAS VOLTAGE MEASURED FROM	
				CENTER TAP OF FILAMENT TO CHASSIS:-	
C-1	20133	.25 MFD	-10%-20% 200 VOLT	OUTPUT -45	57.5 - VOLTS D.C.
C-2	20865	.0015 "	-10%	DRIVER -47	19.0 - VOLTS D.C.
C-3	20129	10 "	25 VOLT	AVERAGE FILAMENT VOLTAGE:-	
C-4	20789	.02 "	-20%-10% 400 "	RECTIFIER 5Z3	5.0 - VOLTS A.C.
C-5	20131	.05 "	-20%-10% 400 "	OUTPUT -45	2.5 - VOLTS A.C.
C-6	20128	25 "	25 "	DRIVER -45	2.5 - VOLTS A.C.
C-7		8 "	450 "	DRIVER -45	2.0 - VOLTS D.C.
C-8	20778	8 "	450 "	-30	
C-9	20775	.5 "	-25% 400 "		
C-10	20139	30 "	400 "		
C-11	20513	8 "	475 "		

AVERAGE VOLTAGES ACROSS SPEAKER FIELDS AND ELECTROLYTIC CONDENSERS.
 2,500 OHM SPEAKER FIELD VOLTAGE MEASURED FROM #7-CONTACT TO #1-CONTACT
 ON SPEAKER SOCKET 170-VOLTS D.C.
 2,500 OHM AUXILIARY SPEAKER FIELD (PARALLEL WITH 7,000-OHM RESISTOR)
 VOLTAGE MEASURED FROM #3 -CONTACT TO #1-CONTACT ON SPKR. SOCKET. 160-VOLTS.

C-11	ELECTROLYTIC	365-VOLTS D.C.
C-10	ELECTROLYTIC	340-VOLTS D.C.
C-7	ELECTROLYTIC	170-VOLTS D.C.

VOLTAGES AND CURRENTS OF MODEL #651 - AMPLIFIER. ALL MEASUREMENTS MADE
 WITH LINE VOLTAGE 115 - VOLTS. ALL VOLTAGES MEASURED WITH 1,000-OHMS
 PER VOLT VOLTMETER.

ITEM	PART NO.	VALUE	REMARKS
RESISTORS			
R-1	22527	2,500 OHM	-10% 1/4 WATT
R-2	20787	5,000 "	-10% 1/4 "
R-3	22526	20,000 "	-10% 1/4 "
R-4	20704	3,500 "	-10% 1/4 "
R-5	20704	3,500 "	-10% 1/4 "
R-6	22526	20,000 "	-10% 1/4 "
R-7	21939	50,000 "	-10% 1/4 "
R-8	20266	75,000 "	-10% 1/4 "
R-9	22529	2,000 "	-10% 1/4 "
R-10	22530	1,000 "	-10% 1/4 "
R-11	22370	50,000 "	DUAL V.C. REAR SECT.
R-12	22370	50,000 "	DUAL V.C. PANEL SECT.
R-13	22578	220,000 "	-10% 1/4 WATT
R-14	21939	50,000 "	-10% 1/4 "
R-15	22329	500,000 "	-10% 1/2 "
R-16	32354	65 "	- 5% 1/2 "
R-17	22323	2,000 "	- 5% 1 "
R-18	20855	150,000 "	-10% 1/2 "
R-19	22295 (see note)	100 "	VOLTAGE DIVIDER
R-20	20855	150,000 "	-10% 1/2 WATT
R-21	22295 (see note)	400 "	VOLTAGE DIVIDER
R-22	22294	530 "	VOLTAGE DIVIDER
R-23	22321	35,000 "	-10% 1/2 WATT
R-24	22295 (see note)	485 "	VOLTAGE DIVIDER
R-25	22322	25,000 "	-10% 1/2 WATT
R-26	22322	25,000 "	-10% 1/2 "
R-27	22322	25,000 "	-10% 1/2 "
R-28	22296 (see note)	9,000 OHM	VOLTAGE DIVIDER
R-29	20445	20 "	HUM CONTROL
R-30	22296 (see note)	1,000 "	VOLTAGE DIVIDER
CONDENSERS			
C-1	22532	.004 MFD	-10%
C-2	22534	.015 "	-10% 200 VOLT
C-3	21738	.3 "	-10% 200 "
C-4	22549	.15 "	-10% 200 "
C-5	22521	.003 "	-10%
C-6	22545	.03 "	-10% 200 VOLT
C-7	22535	.75 "	-10% 20% 200 VOLT
C-8	21990	.25 "	-10%
C-9	22533	.0004 "	-10%
C-10	20612	10. "	25 VOLT
C-11	22309	2. "	500 "
C-12	22310	.022 "	-10% 600 "
C-13	20612	10. "	25 "
C-14	22320	.3 "	20%-10% 400 VOLT
C-15	22320	.3 "	20%-10% 400 "
C-16	22325	6 6 "	(see note) 500 "
C-17	22325	4 4 "	" " 600 "
C-18	21720	25 "	450 "
C-19	21546	16 "	150 "

ITEM	PART NO.	VALUE	REMARKS
CHOKES			
L-1	21693	560 M.H.	AIR CORE
L-2	22519	100 HENRIES	tone control
L-3	22520	100 "	tone control
L-4	22312	8 "	POWER FILTER
TRANSFORMERS			
T-1	22311		POWER
T-2	22315		INPUT
T-3	22314		DRIVER
T-4	22313		OUTPUT

VOLTAGES AND CURRENTS OF MODEL - 680 - AMPLIFIER. ALL VOLTAGES MEASURED WITH 1000 - OHMS PER VOLT VOLTMETER. ALL MEASUREMENTS MADE WITH LINE VOLTAGE 115-VOLTS, 60-CYCLE AT THE AMPLIFIER.

PLATE VOLTAGE MEASURED FROM PLATE TO FILAMENT-			
OUTPUT	2A3	360 VOLTS	D.C.
OUTPUT	2A3	360 VOLTS	D.C.
	-45	275 VOLTS	D.C.
	-45	275 VOLTS	D.C.
	-30	157 VOLTS	D.C.
	-30	57 VOLTS	D.C.

PLATE CURRENTS:-			
OUTPUT	2A3	37.0 M.A.	D.C.
OUTPUT	2A3	37.0 M.A.	D.C.
	-45	32.0 M.A.	D.C.
	-45	32.0 M.A.	D.C.
	-30	2.5 M.A.	D.C.
	-30	1.2 M.A.	D.C.

GRID VOLTAGE MEASURED FROM GRID - TO FILAMENT			
OUTPUT	2A3	74 VOLTS	D.C.
	2A3	74 VOLTS	D.C.
	-45	62 VOLTS	D.C.
	-45	62 VOLTS	D.C.

FILAMENT VOLTAGE MEASURED ACROSS FILAMENT.			
OUTPUT	2A3	2.5 VOLTS	A.C.
OUTPUT	2A3	2.5 VOLTS	A.C.
	-45	2.5 VOLTS	A.C.
	-45	2.5 VOLTS	A.C.
	-30	2.0 VOLTS	A.C.
	-30	2.0 VOLTS	A.C.

525-OHM SPEAKER FIELD VOLTAGE MEASURED FROM #1-CONTACT TO #6-CONTACT ON SPEAKER SOCKET. - 72.5 VOLTS D.C.
2400-OHM SPEAKER FIELD VOLTAGE MEASURED FROM #1-CONTACT TO #2-CONTACT ON SPEAKER SOCKET - 260 VOLTS D.C.