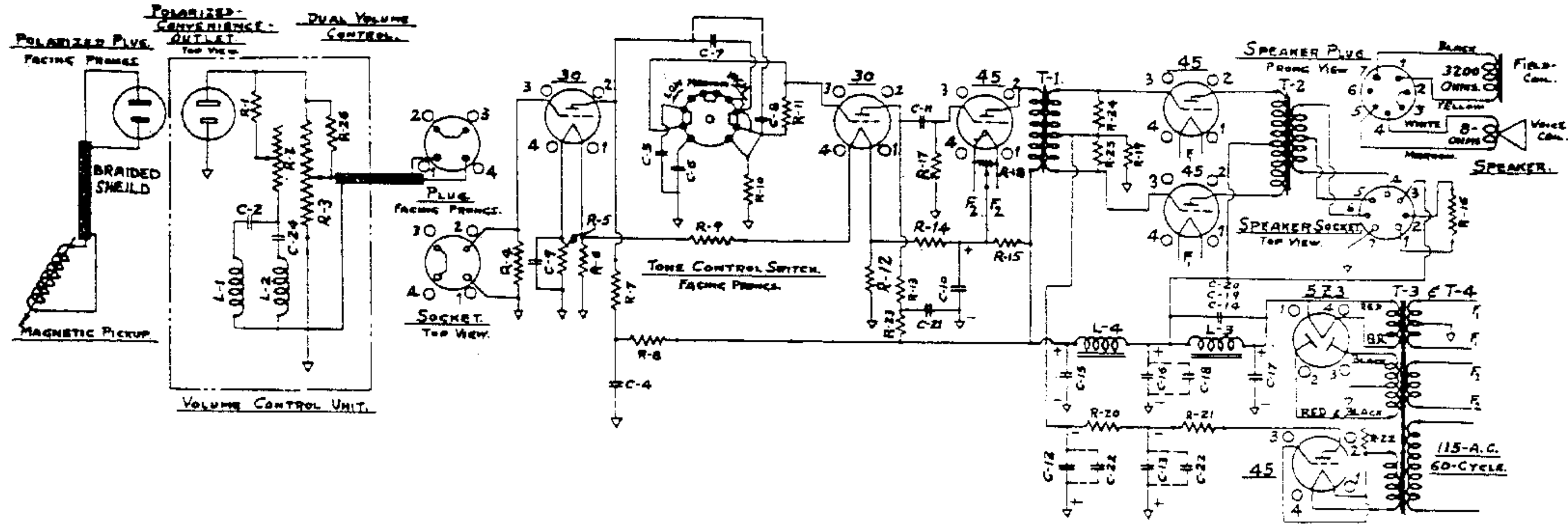
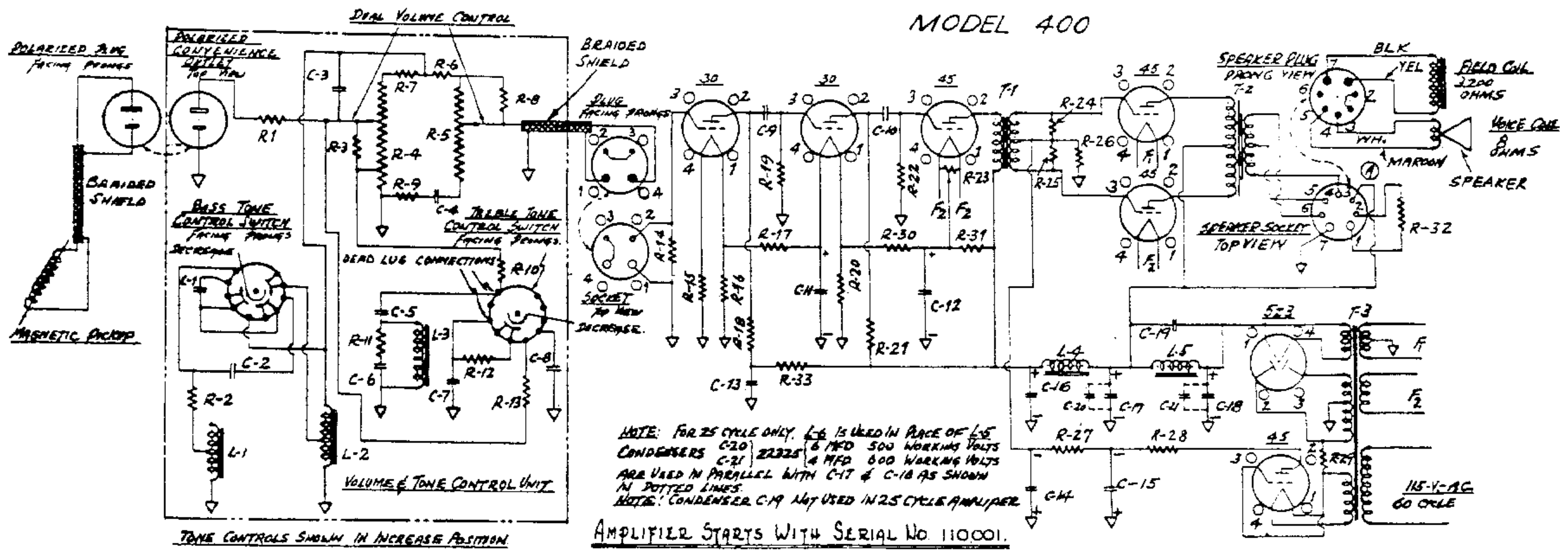


MODELS 316, 416, 616, 616 A & 716



MODEL 400



ITEM	PART NO.	VALUE	REMARKS				
				RESISTORS			
R-1	22530	1,000 OHMS	-10% 1/4 WATT	L-1	21693	540 - M. H.	CHOKE COIL
R-2	22765	12,000 "	-15% VOLUME CONTROL	L-2	24305	290 " "	" "
R-3		150,000 "	-15% "	L-3	21550	8.75 HENRIES	#1 FILTER CHOKE
R-4	20750	500,000 "	-20% 1/4 WATT	L-4	23017	2 " "	#2 " "
R-5	22354	65 "	-5% 1/2 "	TRANSFORMERS			
R-6	22323	2,000 "	-10% 1 "	T-1	21548		AUDIO INPUT
R-7	21938	100,000 "	-10% 1/4 "	T-2	23019		AUDIO OUTPUT
R-8	21939	50,000 "	-10% 1/4 "	T-3	24527	60 - CYCLE	POWER
R-9	23014	100 "	-5% 1/2 "	T-4	24526	25 - CYCLE	POWER
R-10	20750	500,000 "	-20% 1/4 "	VOLTAGES AND CURRENTS OF MODEL - #771 - AMPLIFIER. ALL MEASUREMENTS MADE WITH LINE VOLTAGE 115 - VOLTS. ALL VOLTAGES MEASURED WITH 1,000 OHMS PER VOLT VOLTMETER. AVERAGE PLATE VOLTAGE MEASURED FROM PLATE TO CHASSIS - OUTPUT - 45 355 - VOLTS D.C. DRIVER - 45 #27 - VOLTS D.C. - 30 175 - VOLTS D.C. - 30 80 - VOLTS D.C. AVERAGE PLATE CURRENT:- OUTPUT - 45 28.0 - M.A. D.C. DRIVER - 45 38.0 - " " " " - 30 2.1 - " " " " - 30 1.5 - " " " " AVERAGE GRID VOLTAGE MEASURED FROM GRID TO FILAMENT OUTPUT - 45 87 - VOLTS D.C. DRIVER - 45 40 - " " " " AVERAGE FILAMENT VOLTAGE:- RECTIFIER 523 5.0 - VOLTS A.C. OUTPUT - 45 2.5 - " " " " DRIVER - 45 2.5 - " " " " - 30 2.1 - " D.C.			
R-11	20266	75,000 "	-10% 1/4 "				
R-12	22323	2,000 "	-10% 1 "				
R-13	23208	60,000 "	-10% 1/2 "				
R-14		575 "	BLEEDER 4 "				
R-15	23015	9,000 "	" 30 "				
R-16		2,500 "	" 33 "				
R-17	20728	250,000 "	-20% 1/4 "				
R-18	20445	20 "	HUM CONTROL				
R-19	23012	5,000 "	-5% 10 WATT				
R-20	23011	2,000 "	-5% 10 "				
R-21	23011	2,000 "	-5% 10 "				
R-22	23013	3,500 "	-5% 10 "				
R-23	23084	25,000 "	-10% 1/4 "				
R-24	26358	7,000 "	-10% 1/2 "				
R-25	26358	7,000 "	-10% 1/2 "				
R-26	21939	50,000 "	-10% 1/4 "				
				CONDENSERS			
C-1	C			AVERAGE VOLTAGES ACROSS SPEAKER FIELDS AND ELECTROLYTIC CONDENSERS 3,200 - OHM SPEAKER FIELD VOLTAGE MEASURED FROM #1 - CONTACT TO # 7 CONTACT ON SPEAKER SOCKET 205 - VOLTS D.C. 2,500 - OHM AUXILIARY SPEAKER FIELD VOLTAGE MEASURED FROM #1 - CONTACT TO #3 CONTACT ON SPEAKER SOCKET 155 - VOLTS D.C. C-17 ELECTROLYTIC 385 - VOLTS D.C. C-16 " 360 - " " " FROM RECTIFIER - 45 PLATE - C-15 " 355 - " " " TO CHASSIS 150 - VOLTS D.C.			
C-2	20665	.25 MFD	-10% 200 VOLT				
C-3							
C-4	24321	2. "	450 VOLT				
C-5	24280	.00075 "	-10%-20% MICA				
C-6	22241	.002 "	-10% "				
C-7	21993	.05 "	-20% 400 VOLT				
C-8	26560	.004 "	-10% 600 "				
C-9	24279	10. "	25 "				
C-10	24775	25. "	150 "				
C-11	21736	.1 "	-20% 400 "				
C-12		8. "	150 "				
C-13	23021	8. "	150 "				
C-14	20665	.25 "	FOR 60 - CYCLE				
C-15	21720	25 "	450 VOLT				
C-16	22325	6 "	500 "				
C-17		4. "	600 "				
C-18	21720	25. "	FOR 25 40 - CYCLE				
C-19	24363	1. "	FOR 25 - 30 "				
C-20	24364	.5 "	FOR 40 - CYCLE				
C-21	24321	2. "	450 VOLT				
C-22	23021	8 - 8 "	FOR 25 - 30 CYCLE				
C-23							
C-24	22241	.002 MFD	-10% MICA				

ITEM	PART NO.	VALUE	REMARKS
RESISTORS			
R-1	22529	2,000 OHMS	-10% 1/4 WATT
R-2	21999	800 "	-10% 1/4 "
R-3	20267	15,000 "	-10% 1/4 "
R-4		100,000 "	-15% VOLUME CONTROL
R-5	23215	150,000 "	-15% "
R-6	23208	60,000 "	-10% 1/2 WATT
R-7	21938	100,000 "	-10% 1/4 "
R-8	20750	500,000 "	-20% 1/4 "
R-9	22529	2,000 "	-10% 1/4 "
R-10	20787	5,000 "	-10% 1/4 "
R-11	20787	5,000 "	-10% 1/4 "
R-12	20704	3,500 "	-10% 1/4 "
R-13	20704	3,500 "	-10% 1/4 "
R-14	20750	500,000 "	-10% 1/4 "
R-15	22354	65 "	- 5% 1/2 "
R-16	22323	2,000 "	- 5% 1 "
R-17	23014	100 "	- 5% 1/2 "
R-18	21938	100,000 "	-10% 1/4 "
R-19	20728	250,000 "	-20% 1/4 "
R-20	22323	2,000 "	- 5% 1 "
R-21	23204	60,000 "	-10% 1/2 "
R-22	20855	150,000 "	-10% 1/4 "
R-23	20445	20 "	HUM CONTROL
R-24	22322	25,000 "	-10% 1/2 WATT
R-25	22322	25,000 "	-10% 1/2 "
R-26	23012	5,000 "	- 5% 10 "
R-27	23011	2,000 "	- 5% 10 "
R-28	23011	2,000 "	- 5% 10 "
R-29	23013	3,500 "	-10% 10 "
R-30		575 "	BLEEDER 4 "
R-31	23015	9,000 "	" 30 "
R-32		2,500 "	" 33 "
R-33	20266	75,000 "	10% 1/4 "
CONDENSERS			
C-1	21990	.25 MFD	-10% 200 VOLT
C-2	22535	.75 "	-10% 20% 200 VOLT
C-3	23221	.18 "	-10% 200 VOLT
C-4	22544	.15 "	-10% 200 "
C-5	22544	.15 "	-10% 200 "
C-6	22589	.0025 "	-10% "
C-7	22532	.004 "	-10% "
C-8	22534	.015 "	-10% 200 VOLT
C-9	21993	.05 "	-20% 400 "
C-10	21736	.1 "	-20% 400 "
C-11	23010	10 "	25 "
C-12	23009	12 "	150 "
C-13	20775	.5 "	-25% 400 "
C-14		8 "	150 "
C-15	23021	8 "	150 "
C-16		25 "	450 "
C-17	23020	6 "	500 "
C-18		4 "	600 "
C-19	22121	1.25 "	-10% 200 "

		CHOKES
L-1	22514	CHOKE TONE CONTROL
L-2	223216	RESISTOR TONE CONTROL
L-3	23217	CHOKE ASSEMBLY
L-4	23018	#2 FILTER CHOKE
L-5	23017	#1 FILTER CHOKE
L-6	23746	CHOKE
		TRANSFORMERS
T-1	21548	AUDIO INPUT
T-2	23014	AUDIO OUTPUT
T-3	23016	POWER TRANSFORMER

VOLTAGES AND CURRENTS OF MODEL #671-AMPLIFIER. ALL MEASUREMENTS MADE WITH LINE VOLTAGE 115-VOLTS. ALL VOLTAGES MEASURED WITH 1,000-OHMS PER VOLT VOLTMETER

AVERAGE PLATE VOLTAGE MEASURED FROM PLATE TO CHASSIS-

OUTPUT	-45	355-VOLTS D.C.
DRIVER	-45	327-VOLTS D.C.
	-30	175-VOLTS D.C.
	-30	80-VOLTS D.C.

AVERAGE PLATE CURRENT:-

OUTPUT	-45	28.0-M.A. D.C.
DRIVER	-45	38.0-M.A. D.C.
	-30	2.1- M.A.D.C.
	-30	1.5-M.A. D.C.

AVERAGE GRID VOLTAGE MEASURED FROM GRID TO FILAMENT

OUTPUT	-45	87 VOLTS D.C.
DRIVER	-45	40 VOLTS D.C.

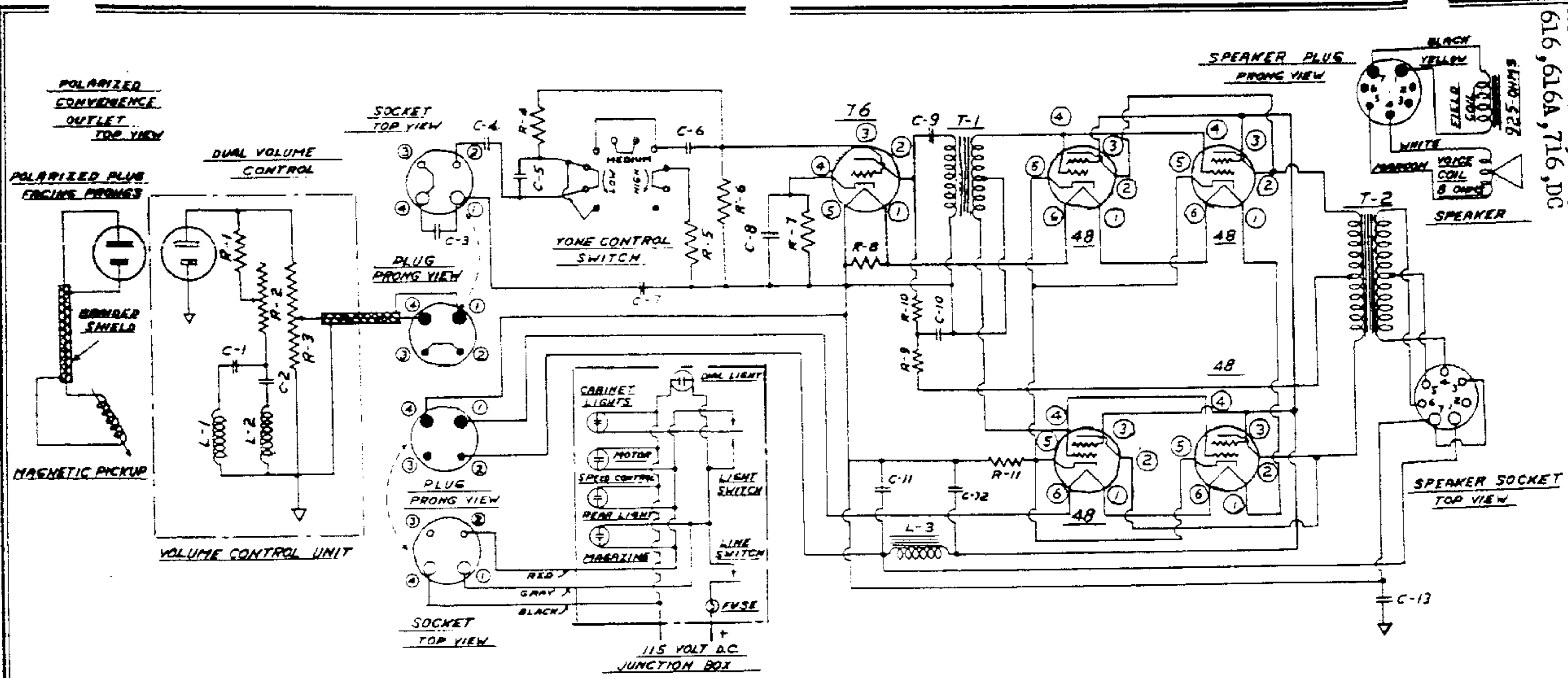
AVERAGE FILAMENT VOLTAGE:-

RECTIFIER	5Z3	5.0 VOLTS A.C.
OUTPUT	-45	2.5 VOLTS ALC.
DRIVER	-45	2.5 VOLTS A.C.
	-30	2.1 VOLTS D.C.

AVERAGE VOLTAGES ACROSS SPEAKER FIELDS AND ELECTROLYTIC CONDENSERS. 3200-OHM SPEAKER FIELD VOLTAGE MEASURED FROM #1-CONTACT TO #7-CONTACT ON SPEAKER SOCKET 205-VOLTS D.C. 2500-OHM AUXILIARY SPEAKER FIELD VOLTAGE MEASURED FROM #1-CONTACT TO #3 CONTACT ON SPEAKER SOCKET 155-VOLTS D.C.

C-18	ELECTROLYTIC	385-VOLTS D.C.
C-17	ELECTROLYTIC	360-VOLTS D.C.
C-16	ELECTROLYTIC	355-VOLTS D.C.

FROM RECTIFIER - 45PLATE - TO CHASSIS 150-VOLTS D.C.



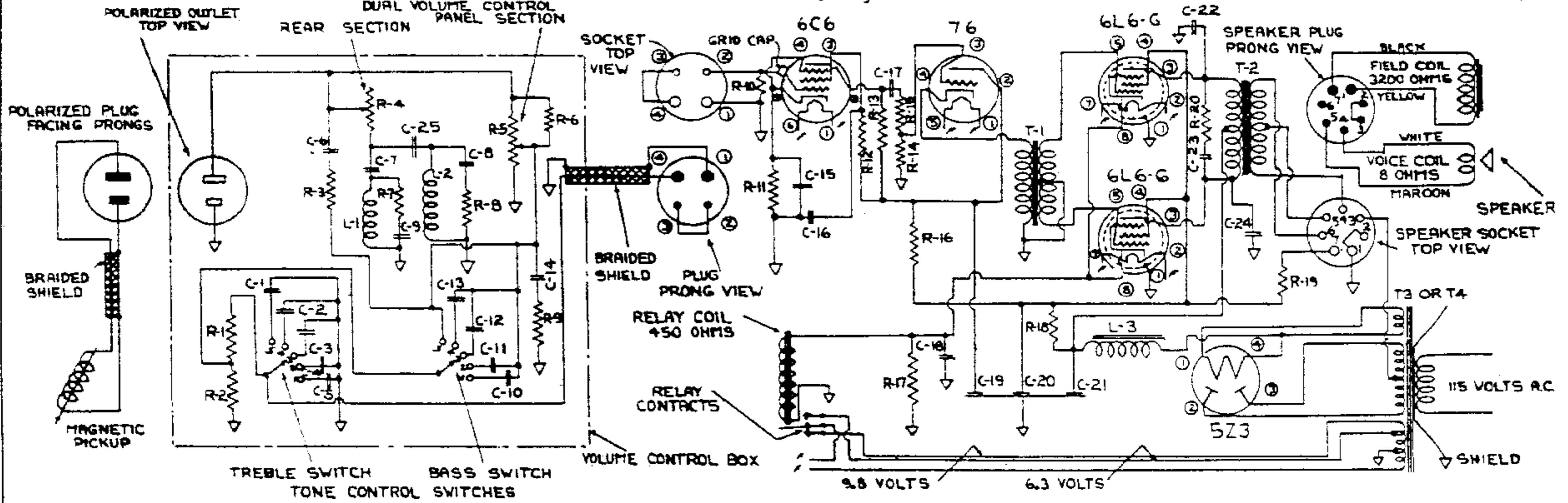
ITEM	PART NO.	VALUE	REMARKS	ITEM	PART NO.	VALUE	REMARKS	ITEM	PART NO.	VALUE	REMARKS	ITEM	PART NO.	VALUE	REMARKS
RESISTORS															
R-1	22530	1000 OHM	±10% 1/4 WATT	R-11	22851	63 OHM	±5% 10 WATT	C-4	24329	.1 - MFD.	±10% 200-W.VOLTS				
R-2	26378	7500 OHM	DUAL V.C. REAR SECT.					C-5	26372	.0075 - MFD.	±10% 200-W.VOLTS				
R-3		150000 OHM	DUAL V.C. PANEL SECT.					C-6	26372	.0075 - MFD.	±10% 200-W.VOLTS				
R-4	21939	50000 OHM	±10% 1/4 - WATT					C-7	24363	1.0 - MFD.	±10% 200-W.VOLTS				
R-5	21998	35000 OHM	±10% 1/4 - WATT					C-8	24279	10 - MFD.	ELEC. 25-W.VOLTS	L-1	24305	290-MILLIHENRIES	AIR CORE
R-6	20855	150000 OHM	±10% 1/4 - WATT					C-9	21736	.1 - MFD.	±20% 400-W.VOLTS	L-2	21693	540-MILLIHENRIES	AIR CORE
R-7	22529	2000 OHM	±10% 1/4 - WATT					C-10	22535	.75 - MFD.	-10%±20% 200 W.VOLTS	L-3	22866	1.35-HENRIES	POWER FILTER
R-8	22851	63 OHM	±5% 10 - WATT	CONDENSERS				C-11	22865	2.0 - MFD.	200 W.VOLTS	TRANSFORMERS			
R-9	21997	50000 OHM	±10% 1/2 - WATT	C-1	22241	.002 - MFD.	±10% MICA	C-12		1.0 - MFD.	200 W.VOLTS	T-1	22867	AUDIO	INPUT
R-10	21938	100,000 OHM	±10% 1/4 - WATT	C-2	20665	.25 - MFD.	±10% 200 W. VOLTS	C-13	21736	.1 - MFD.	±20% 400 W.VOLTS	T-2	22864	AUDIO	OUTPUT
				C-3	22241	.002 - MFD.	±10% MICA								

VOLTAGES AND CURRENTS OF MODEL #751 AMPLIFIER. ALL MEASUREMENTS MADE WITH LINE VOLTAGE 115 VOLTS D.C.

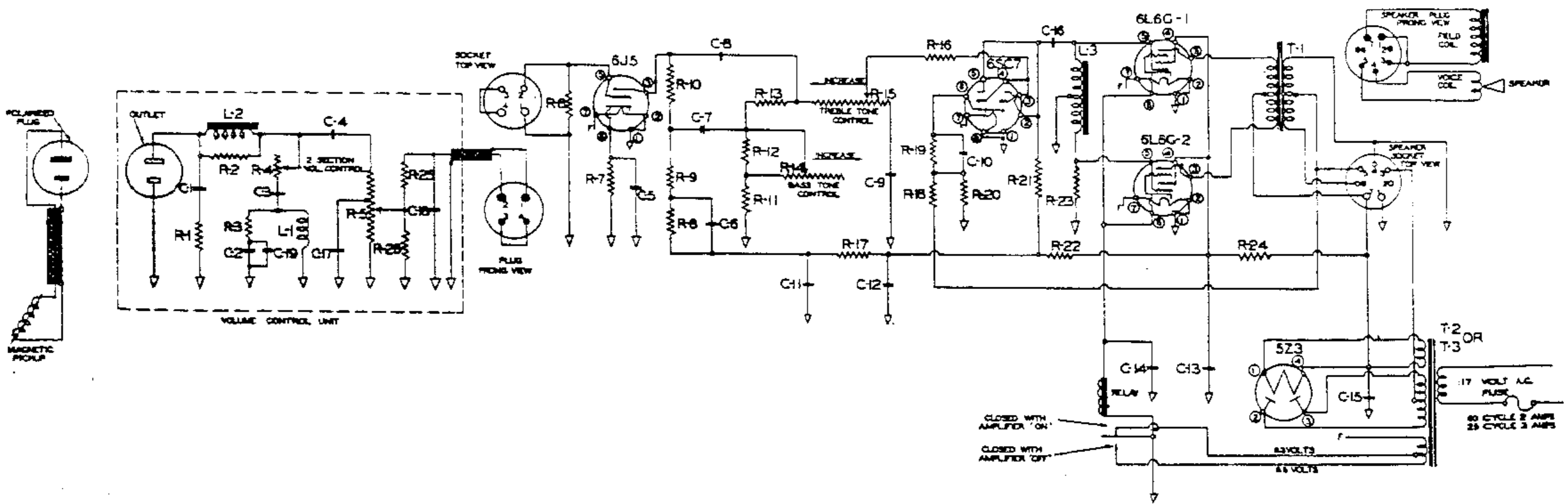
ALL VOLTAGES MEASURED WITH 1000 OHMS PER VOLT VOLTMETER

AVERAGE PLATE VOLTAGE MEASURED FROM	AVERAGE PLATE CURRENT	AVERAGE BIAS VOLTAGE MEASURED FROM CATHODE OF TUBE TO #7-CONTACT ON SPEAKER SOCKET	AVERAGE FILAMENT VOLTAGES:-
PLATE + TO CONTACT - #7 ON SPEAKER SOCKET	- 48 48.0 - MA	- 48 16.0 - VOLTS D.C.	- 48 27.5 - VOLTS D.C.
- 48 110 - VOLTS D.C.	- 76 .6 - M.A.	- 48 16.0 - VOLTS D.C.	- 76 6.1 - VOLTS D.C.
- 76 20 - VOLTS D.C.		- 76 1.0 - VOLT D.C.	

MODELS 500, 500A



MODEL 950



ITEM	PART NO.	VALUE	REMARKS
RESISTORS			
R-1	20267	15,000 OHMS	- 5% 1/4 WATT
R-2	31152	200,000 "	- 5% 1/4 "
R-3	31146	60,000 "	- 5% 1/4 "
R-4	26378	7,500 "	-15% DUAL VOL. CONTROL
R-5		150,000 "	-15% "
R-6	31146	60,000 "	- 5% 1/4 WATT
R-7	31144	1,000 "	- 5% 1/4 "
R-8	31151	500 "	- 5% 1/4 "
R-9	31153	82,000 "	- 5% 1/4 "
R-10	21841	2,000,000 "	-10% 1/4 "
R-11	28150	600 "	- 5% 1/4 "
R-12	25575	200,000 "	-10% 1/4 "
R-13	23208	60,000 "	-10% 1/2 "
R-14	20703	300,000 "	-10% 1/4 "
R-15	25575	200,000 "	-10% 1/4 "
R-16	28147	10,000 "	-10% 1 "
R-17	28146	390 "	- 5% 3 "
R-18	28133	950 OHMS BLEEDER	- 5% 20 "
R-19		1500 OHMS BLEEDER	- 5% 25 "
R-20	28148	18,000 OHMS	-10% 1 "
CONDENSERS			
C-1	22759	.0001 MFD	-10% MICA
C-2	20865	.0015 "	-10% "
C-3	31147	.0035 "	-10% "
C-4	31148	.006 "	-10% 200 VOLTS
C-5	28143	.01 "	-10% 200 VOLTS
C-6	31150	.05 "	-10% 200 VOLTS
C-7	22241	.002 "	-10% MICA
C-8	22753	.006 "	-10% 400 VOLTS
C-9	25680	.008 "	-10% 200 VOLTS
C-10	31149	.004 "	-10% 200 VOLTS
C-11	31148	.006 "	-10% 200 VOLTS
C-12	22534	.015 "	-10% 200 VOLTS
C-13	31150	.05 "	-10% 200 VOLTS
C-14	22531	.003 "	-10% MICA
C-15	28141	25 "	25 VOLTS
C-16	28211	.25 "	-10% 400 "
C-17	28142	.03 "	-10% 400 "
C-18	28139	16 "	50 "
C-19		4 "	350 "
C-20	28138	20 "	450 "
C-21		8 "	500 "
C-22	28924	.00035 "	-10% 1000 "
C-23	28145	.006 "	-10% 600 "
C-24	28924	.00035 "	-10% 1000 "
C-25	28123	.3 "	-10% 120 "

CHOKES			
L-1	25598	290 M.H.	CHOKE COIL-AIR CORE
L-2	28526	400 " "	CHOKE COIL-AIR CORE
L-3	28137	4.1 HENRIES-15%	POWER FILTER CHOKE

TRANSFORMERS			
T-1	28136		AUDIO INPUT
T-2	28135		AUDIO OUTPUT
T-3	28134	60 CYCLE	POWER
T-4	28470	25 CYCLE	POWER

VOLTAGES AND CURRENTS OF MODEL #854 AMPLIFIER.
 ALL MEASUREMENTS MADE WITH LINE VOLTAGE 115 VOLTS
 25 CYCLE OR 60 CYCLE A.C.
 ALL VOLTAGES MEASURED WITH 1000 OHMS PER VOLT VOLTMETER

AVERAGE PLATE VOLTAGE MEASURED FROM PLATE TO CHASSIS			
6L6-G	PLATE TO CHASSIS	400 VOLTS	D.C.
76	PLATE TO CHASSIS	220 VOLTS	D.C.
6C6	PLATE TO CHASSIS	65 VOLTS	D.C.

AVERAGE PLATE CURRENT			
6L6-G	PLATE CURRENT	5.1 MA	D.C.
76	PLATE CURRENT	6.5 MA	D.C.
6C6	PLATE CURRENT	2.5 MA	D.C.

AVERAGE D.C. VOLTAGES ACROSS 5Z3 FILAMENT & GROUND			
	ACROSS 5Z3 FILAMENT & GROUND	420 VOLTS	D.C.
	ACROSS C-21	405 VOLTS	D.C.
	ACROSS C-20	325 VOLTS	D.C.
	ACROSS C-18	24 VOLTS	D.C.
	ACROSS C-15	67 VOLTS	D.C.

AVERAGE FILAMENT VOLTAGES			
6L6-G	FILAMENT VOLTAGE	- 6.3 VOLTS	A.C.
76	FILAMENT VOLTAGE	- 6.3 VOLTS	A.C.
6C6	FILAMENT VOLTAGE	- 6.3 VOLTS	A.C.

THESE FIL. VOLTAGES ARE 9.8 VOLTS FOR ACCELERATED
 CATHODE HEATING WHEN FILAMENTS ARE COOL.
 5Z3 FILAMENT VOLTAGE - 5.0 VOLTS A.C.

SPEAKER FIELD - 3200 OHMS BETWEEN TERMINALS 1 & 7
 ON SPEAKER SOCKET - 220 VOLTS D.C.

ITEM	PART NO.	VALUE	REMARKS
RESISTORS			
R-1	36477	4,700 OHMS	-10% 1/3 WATT
R-2	44195	18,000 "	" " "
R-3	22529	2,000 "	" " "
R-4	44196	7,500 "	VOL CON REAR
R-5	44196	150,000 "	" " FRONT
R-6	35924	560,000 "	-10% 1/3 WATT
R-7	36324	3,300 "	" " "
R-8	22528	220,000 "	" " "
R-9	37370	8,200 "	" " "
R-10	36441	22,000 "	" " "
R-11	37446	339,000 "	" " "
R-12	28383	1,000,000 "	" " "
R-13	40226	33,000 "	" " "
R-14	40607	1,000,000 "	TONE CON BASS
R-15	40227	250,000 "	" " TREBLE
R-16	37446	39,000 "	-10% 1/3 WATT
R-17	21200	10,000 "	" " "
R-18	40229	5,100 "	- 5% 1/2 "
R-19	40225	910 "	" 1/3 "
R-20	40224	130 "	" " "
R-21	36326	56,000 "	-10% " " "
R-22	37370	8,200 "	" " "
R-23	35925	82,000 "	" " "
R-24	40223	100 "	" 1 " "
R-25	21200	10,000 "	" 1/3 " "
R-26	20855	150,000 "	" " "
RELAY			
	40144	130 OHMS	S.P.D.T.
CONDENSERS			
C-1	36320	.003 MFD	-10% 600 WV
C-2	25680	.008 "	" " "
C-3	28123	.3 "	" 120 "
C-4	22545	.03 "	" 200 "
C-5	36432	20 "	100%-10% 25 "
C-6	22545	.03 "	-10% 200 "
C-7	28145	.006 "	" 600 "
C-8	36440	.00075 MFD	" " "
C-9	36440	.00075 "	" " "
C-10	36432	20 "	100%-10% 25 "
C-11	36469	8 "	" " 350 "
C-12	40149	20 "	" " 350 "
C-13	40149	40 "	" " 400 "
C-14	40149	20 "	" " 25 "
C-15	40150	50 "	50% " 400 "
C-16	38548	.25 "	-10% 400 "
C-17	40283	.0035 "	" 600 "
C-18	36472	.001 "	" 600 "
C-19	23052	.005 "	" " "

ITEM	PART NO.	VALUE	REMARKS
TRANSFORMERS			
T-1	40146		OUTPUT
T-2	40147	50-60 CYCLES	POWER (501)
T-2	43451	" " "	" (501A)
T-3	40243	25 "	" (501)
T-3	43467	" " "	" (501A)
CHOKES			
L-1	41337	200 M.H.	COIL
L-2	37185	920 "	"
L-3	40145		INPUT

VOLTAGE & CURRENTS OF MODELS 501-501A - 502 -502A AMPLIFIERS.
ALL VOLTAGES MEASURED WITH 1000 OHMS PER VOLT VOLTMETER.

ALL MEASUREMENTS MADE WITH LINE AT 117 VOLTS 25 OR 60 CYCLES.
FOR VOLTAGES OVER 50 USE 500 VOLT SCALE.

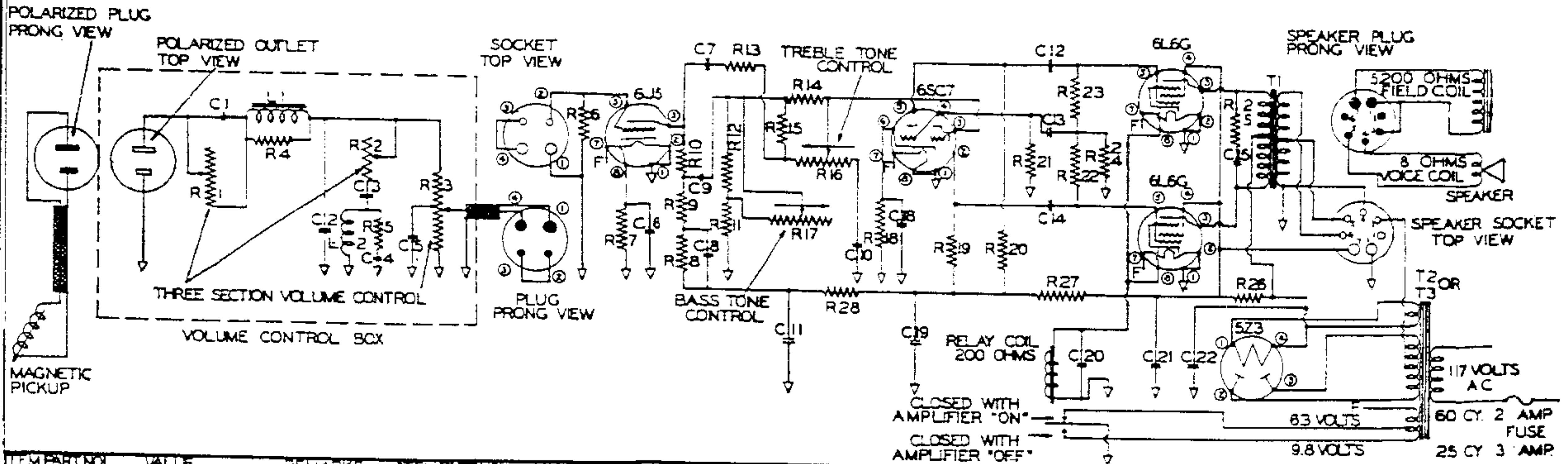
AVERAGE PLATE & SCREEN VOLTAGE MEASURED TO CHASSIS			
6L6G	PLATE	310 VOLTS	D.C.
6L6G	SCREEN	315 "	" "
6SC7	PLATE	170 "	" "
6J5	PLATE	70 "	" "

AVERAGE PLATE CURRENT			
6L6G	68	M.A.	D.C.
6SC7	1.8	" "	" "
6J5	.5	" "	" "

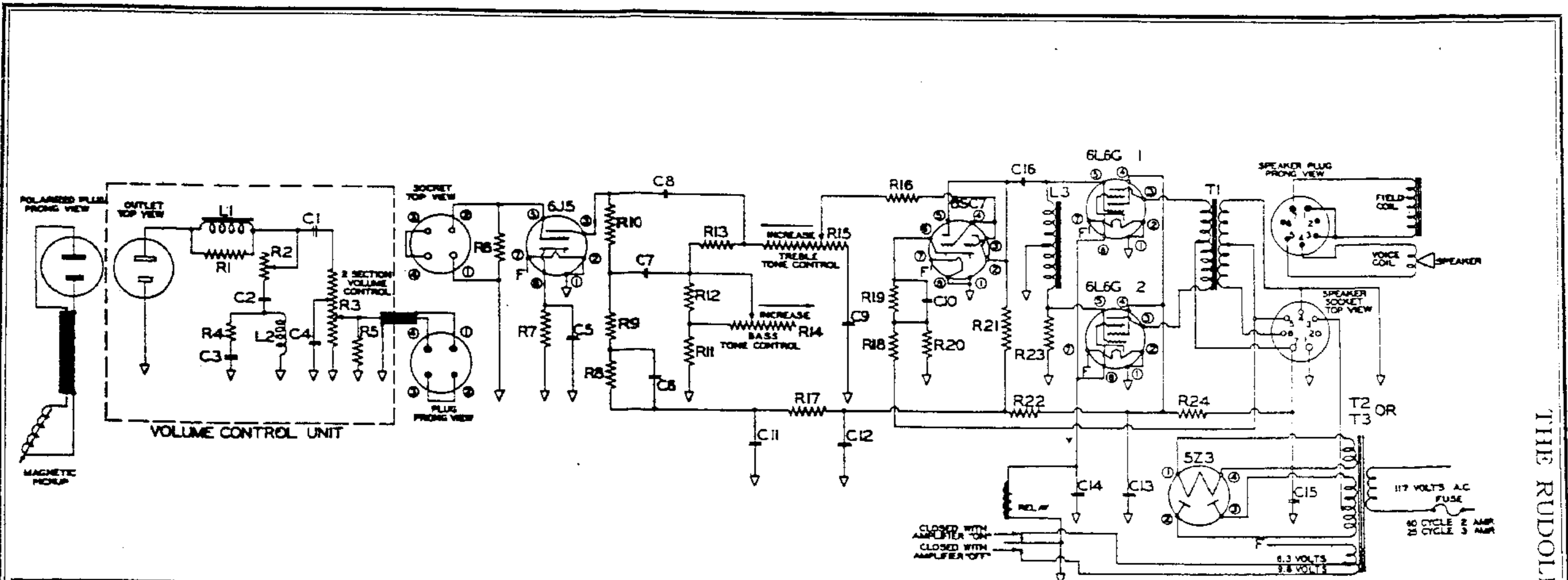
AVERAGE VOLTAGE ACROSS CONDENSERS			
C-15	320	VOLTS	D.C.
C-14	20	"	" "
C-13	315	"	" "
C-12	290	"	" "
C-11	275	"	" "

AVERAGE FILAMENT VOLTAGE			
6L6G	6.3	VOLTS	A.C.
6SC7	6.3	"	" "
6J5	6.3	"	" "
FILAMENT VOLTAGES ARE 9.3 FOR ACCELERATED CATHODE HEATING WHEN FILAMENTS ARE COOL			
5Z3	5.	VOLTS	A.C.

SPEAKER FIELD RESISTANCE 5200 OHMS. VOICE COIL 8 OHMS
320 VOLTS D.C. BETWEEN TERMINALS 1 & 7 OF SPEAKER SOCKET.



ITEM PART NO	VALUE	REMARKS	ITEM PART NO	VALUE	REMARKS	ITEM PART NO	VALUE	REMARKS	ITEM PART NO	VALUE	REMARKS
RESISTORS			RESISTORS			CONDENSERS			CONDENSERS		
R 1	10,000 OHMS	VOL. CON. REAR	R 17	36436	1,000,000 OHMS	TONE CON. BASS	C 1	22544	.5	MFD ±10%	200 WV
R 2	37052	4,000 OHMS	R 18	36325	1,200 OHMS	1/2 WATT	C 2	36320	.003	MFD ±10%	600 WV
R 3	150,000 OHMS	VOL. CON. PANEL	R 19	21938	100,000 OHMS	1/2 WATT	C 3	37053	.4	MFD ±10%	200 WV
R 4	30994	20,000 OHMS	R 20	21938	100,000 OHMS	1/2 WATT	C 4	25680	.008	MFD ±10%	600 WV
R 5	22538	3,000 OHMS	R 21	35924	560,000 OHMS	1/2 WATT	C 5	34126	.0025	MFD ±10%	200 WV
R 6	35924	560,000 OHMS	R 22	35925	82,000 OHMS	1/2 WATT	C 6	36432	20.	MFD	25 WV
R 7	36324	3,300 OHMS	R 23	35925	82,000 OHMS	1/2 WATT	C 7	36318	.00025	MFD ±10%	600 WV
R 8	20685	150,000 OHMS	R 24	36442	68,000 OHMS	1/2 WATT	C 8	31150	.25	MFD ±10%	200 WV
R 9	36443	6,800 OHMS	R 25	25574	15,000 OHMS	1 WATT	C 9	22850	.01	MFD ±10%	400 WV
R 10	36326	56,000 OHMS	R 26	36430	1,375 OHMS	FEEDER	C 10	35930	.0005	MFD ±10%	600 WV
R 11	36442	68,000 OHMS	R 27	36441	22,000 OHMS	1/2 WATT	C 11	36469	8.	MFD	350 WV
R 12	28383	1,000,000 OHMS	R 28	21200	0.000 OHMS	1/2 WATT	C 12	36431	.75	MFD ±10%	400 WV
R 13	36325	270,000 OHMS					C 13	22850	.01	MFD ±10%	400 WV
R 14	35924	560,000 OHMS					C 14	36431	.75	MFD ±10%	400 WV
R 15	36326	56,000 OHMS					C 15	35989	.006	MFD ±10%	1200 WV
R 16	36435	750,000 OHMS									
VOLTAGES & CURRENTS OF MODEL 700 AMPLIFIER			ALL MEASUREMENTS MADE WITH LINE AT 117 VOLTS 25 OR 60 CYCLE			CHOKES			TRANSFORMERS		
AVERAGE PLATE & SCREEN VOLTAGE MEASURED TO CHASSIS			AVERAGE PLATE CURRENT			AVERAGE DC VOLTAGES ACROSS CONDENSERS			AVERAGE FILAMENT VOLTAGES		
6L6G PLATE 390 VOLTS DC - SCR'N 308 VOLTS DC			6L6G PLATE CURRENT 54. MA. DC			C 22 396. VOLTS DC			6L6G FILAMENT VOLTAGE 63 VOLTS A.C.		
6SC7 PLATE 160 VOLTS DC			6SC7 PLATE CURRENT .8 MA. DC			C 21 307. VOLTS DC			6SC7 FILAMENT VOLTAGE 63 VOLTS A.C.		
6J5 PLATE 37 VOLTS DC			6J5 PLATE CURRENT .85 MA. DC			C 20 23.5 VOLTS DC			6J5 FILAMENT VOLTAGE 63 VOLTS A.C.		
SPEAKER FIELD RESISTANCE 5200 OHMS			307 VOLTS D.C. BETWEEN TERMINALS 1 & 7 OF SPEAKER SOCKET			C 19 248. VOLTS DC			FIL. VOLTAGES ARE 9.8 VOLTS FOR ACCELERATE		
						C 11 237. VOLTS DC			CATHODE HEATING WHEN FILS. ARE COOL		
									5Z3 FILAMENT VOLTAGE 5 VOLTS A.C.		

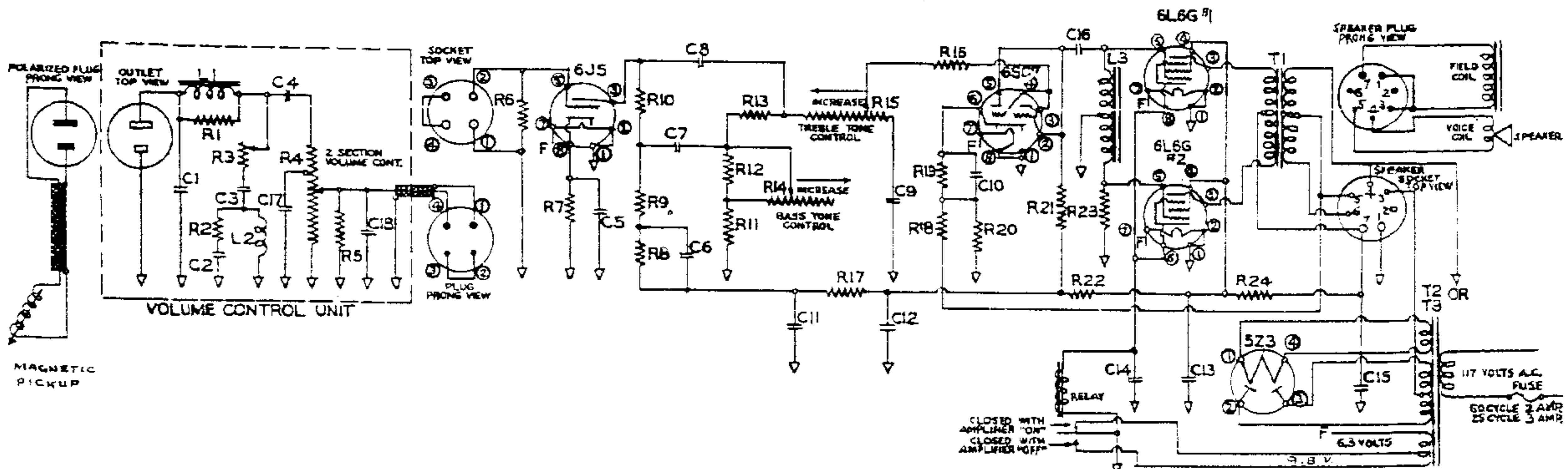


ITEMPART	VALUE	REMARKS	ITEMPART	VALUE	REMARKS	ITEMPART	VALUE	REMARKS	ITEMPART	VALUE	REMARKS	
RESISTORS			RESISTORS			CONDENSERS			CONDENSERS			
R 1	40284	36000 OHMS ± 10% 1/4 WATT	R 16	37446	39000 OHMS ± 10% 1/4 WATT	C 1	22545	.03 MFD ± 10% 200 W.V.	C 16	38548	.25 MFD ± 10% 400 W.V.	
R 2	40281	5000 " " " "	R 17	21200	10000 " ± 10% 1/4 " "	C 2	28123	.3 " ± 10% 120 " "				
R 3	40281	150000 " " " "	R 18	40229	5100 " ± 5% 1/4 " "	C 3	28145	.005 " ± 10% 600 " "				
R 4	22529	2000 " ± 10% 1/4 WATT	R 19	40225	910 " ± 5% 1/2 " "	C 4	40283	.0035 " ± 10% 600 " "	40144	130 OHMS	S.P.D.T.	
R 5	20855	150000 " " " "	R 20	40224	130 " ± 5% 1/2 " "	C 5	36432	20 " ± 10% 25 " "				
R 6	35924	560000 " ± 10% 1/2 " "	R 21	36326	56000 " ± 10% 1/2 " "	C 6	22545	.03 " ± 10% 200 " "				
R 7	36324	35000 " ± 10% 1/2 " "	R 22	37370	8200 " ± 10% 1/2 " "	C 7	28145	.006 " ± 10% 600 " "	L 1	37185	920 MH	COIL
R 8	22524	220000 " ± 10% 1/2 " "	R 23	35924	82000 " ± 10% 1/2 " "	C 8	36440	.00075 " ± 10% 600 " "	L 2	37051	475 MH	COIL
R 9	37370	8200 " ± 10% 1/2 " "	R 24	40223	100 " ± 10% 1/2 " "	C 9	36440	.00075 " ± 10% 600 " "	L 3	40145		INPUT CHORE
R 10	36441	22000 " ± 10% 1/2 " "			C 10	36432	20 " ± 10% 25 " "					
R 11	37246	39000 " ± 10% 1/2 " "			C 11	36469	8 " ± 10% 350 " "					
R 12	28383	1000000 " ± 10% 1/2 " "			C 12		20 " ± 10% 350 " "	T 1	40146		TRANSFORMERS	
R 13	40225	33000 " ± 10% 1/2 " "			C 13	40149	40 " ± 10% 400 " "	T 2	40147	50-60 CYCLE	OUTPUT POWER	
R 14	40607	1000000 " ± 10% 1/2 " "			C 14		20 " ± 10% 25 " "	T 3	40243	25 CYCLE	POWER	
R 15	40227	250000 " ± 10% 1/2 " "			C 15	40150	50 " ± 10% 400 " "					

VOLTAGES & CURRENTS OF MODELS 501 & 502 AMPLIFIERS ALL MEASUREMENTS MADE WITH LINE AT 117 VOLTS 25 OR 60 CYCLE
 ALL VOLTAGES MEASURED WITH 1000 OHMS PER VOLT VOLTMETER (ALL VOLTAGES OVER 50 USE 500 VOLT SCALE)

MEASURED TO CHASSIS		AVERAGE FILAMENT VOLTAGES	
6L6G PLATE	310 VOLTS D.C.	6L6G	6.3 VOLTS A.C.
6L6G SCREEN	315 " " "	6SC7	6.3 " " "
6SC7 PLATE	170 " " "	6J5	6.3 " " "
6J5 PLATE	0 " " "		

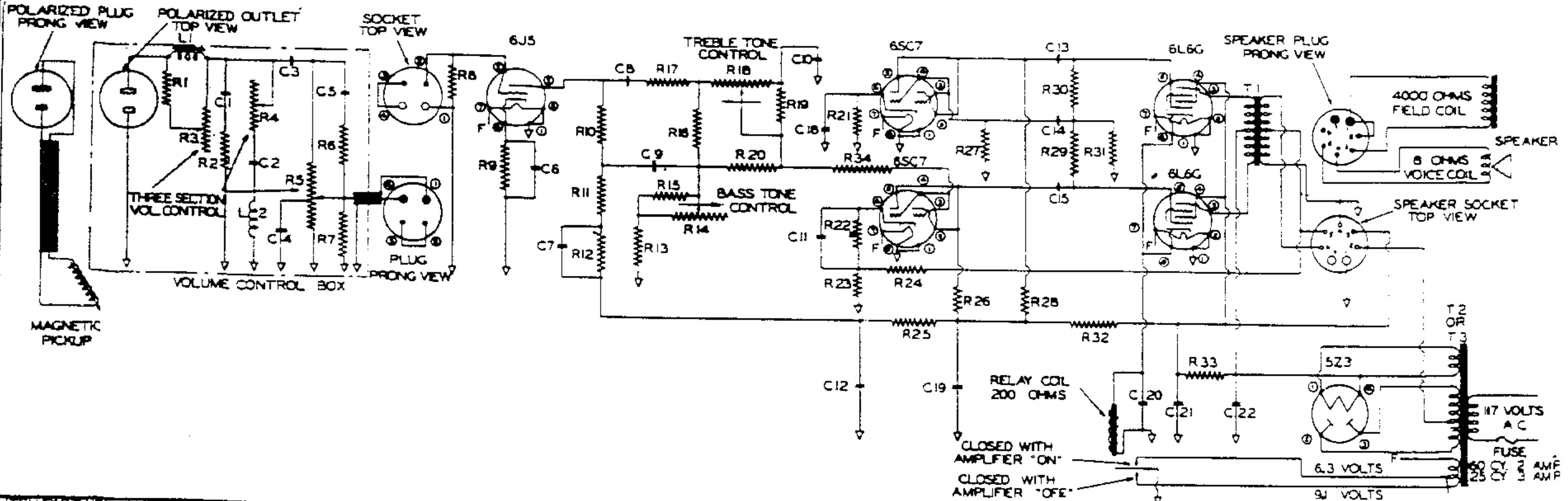
SPEAKER FIELD RESISTANCE 5200 OHMS-VOICE COIL 8 OHMS
 320 VOLTS D.C. BETWEEN TERMINALS 1 & 7 OF SPEAKER SOCKET



ITEM	PART #	VALUE	REMARKS	ITEM	PART #	VALUE	REMARKS	ITEM	PART #	VALUE	REMARKS	ITEM	PART #	VALUE	REMARKS
RESISTORS				RESISTORS				CONDENSERS				CONDENSERS			
R 1	40284	36000 OHMS	±10% 1/2 WATT	R 16	37446	39000 OHMS	±10% 1/2 WATT	C 1	36472	.001	MFD ±10% 600 WV	C 16	38548	.25	MFD ±10% 400 WV
R 2	22529	2000	±10% 1/2 "	R 17	21200	10000	±10% 1/2 "	C 2	25680	.008	±10% 600 "	C 17	23052	.005	±10% 600 "
R 3	40370	10000	" VOL CON REAR	R 18	40229	5100	±5% 1/2 "	C 3	28123	3	±10% 120 "	C 18	36472	.001	±10% 600 "
R 4	150000	"	" PANEL	R 19	40225	910	±5% 1/2 "	C 4	40407	.027	±10% 200 "	RELAY			
R 5	20855	150000	±10% 1/2 WATT	R 20	40224	130	±5% 1/2 "	C 5	36432	20	" 25 "	40144	130 OHMS	S.P.D.T.	
R 6	35929	560000	±10% 1/2 "	R 21	36326	56000	±10% 1/2 "	C 6	22545	.03	±10% 200 "	CHOKES			
R 7	36324	3300	±10% 1/2 "	R 22	37370	8200	±10% 1/2 "	C 7	28145	.006	±10% 600 "	L 1	37185	920 MH	COIL
R 8	22528	220000	±10% 1/2 "	R 23	35925	82000	±10% 1/2 "	C 8	36440	.00075	±10% 600 "	L 2	35917	400 MH	COIL
R 9	37370	8200	±10% 1/2 "	R 24	40223	100	±10% 1 "	C 9	36440	.00075	±10% 600 "	L 3	40145		INPUT CHOKE
R 10	36441	22000	±10% 1/2 "					C 10	36432	20	" 25 "	TRANSFORMERS:			
R 11	37446	39000	±10% 1/2 "					C 11	36469	8	" 350 "	T 1	40146		OUTPUT
R 12	38383	1000000	±10% 1/2 "					C 12	20	" 350 "	T 2	40147	50-60 CYCLE	POWER	
R 13	40226	33000	±10% 1/2 "					C 13	40149	40	" 400 "	T 3	40243	25 CYCLE	POWER
R 14	40607	1000000	" TONE CON BASS					C 14	20	" 25 "					
R 15	40227	250000	" TONE CON TREBLE					C 15	40150	50	" 400 "				

VOLTAGES & CURRENTS OF MODELS 501 & 502 AMPLIFIERS
 ALL MEASUREMENTS MADE WITH LINE AT 117 VOLTS 25 OR 60 CYCLE
 ALL VOLTAGES MEASURED WITH 1000 OHMS PER VOLT VOLTMETER (FOR ALL VOLTAGES OVER 50 USE 500 VOLT SCALE)

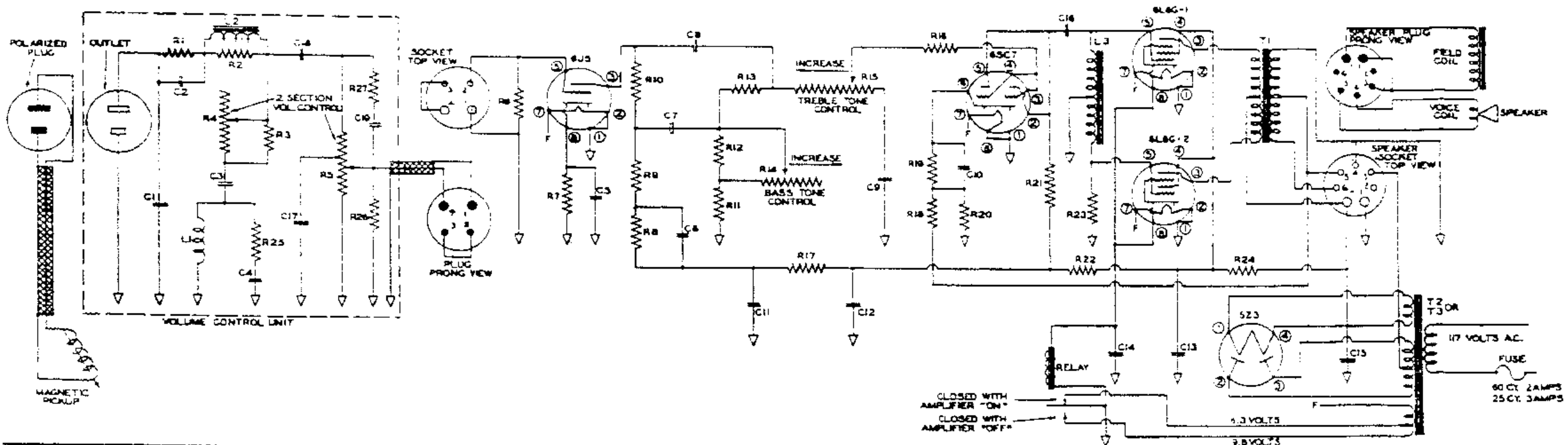
AVERAGE PLATE & SCREEN VOLTAGE MEASURED TO CHASSIS		AVERAGE PLATE CURRENT		AVERAGE VOLTAGE ACROSS CONDENSERS		AVERAGE FILAMENT VOLTAGE	
6L6G PLATE	310 VOLTS D.C.	6L6G	68 MA. D.C.	C 15	320 VOLTS D.C.	6L6G	6.3 VOLTS AC.
6L6G SCREEN	315 " "	6SC7	1.8 " "	C 14	20 " "	6SC7	6.3 " "
6SC7 PLATE	170 " "	6J5	.8 " "	C 13	315 " "	6J5	6.3 " "
6J5 PLATE	70 " "			C 12	290 " "	FIL VOLTAGES ARE 9.8 FOR ACCELERATED CATHODE HEATING WHEN FILS ARE COOL	
SPEAKER FIELD RESISTANCE 5200 OHMS - VOICE COIL 8 OHMS				C 11	275 " "	523	5 VOLTS AC.
320 VOLTS D.C. BETWEEN TERMINALS 1 & 7 OF SPEAKER SOCKET							



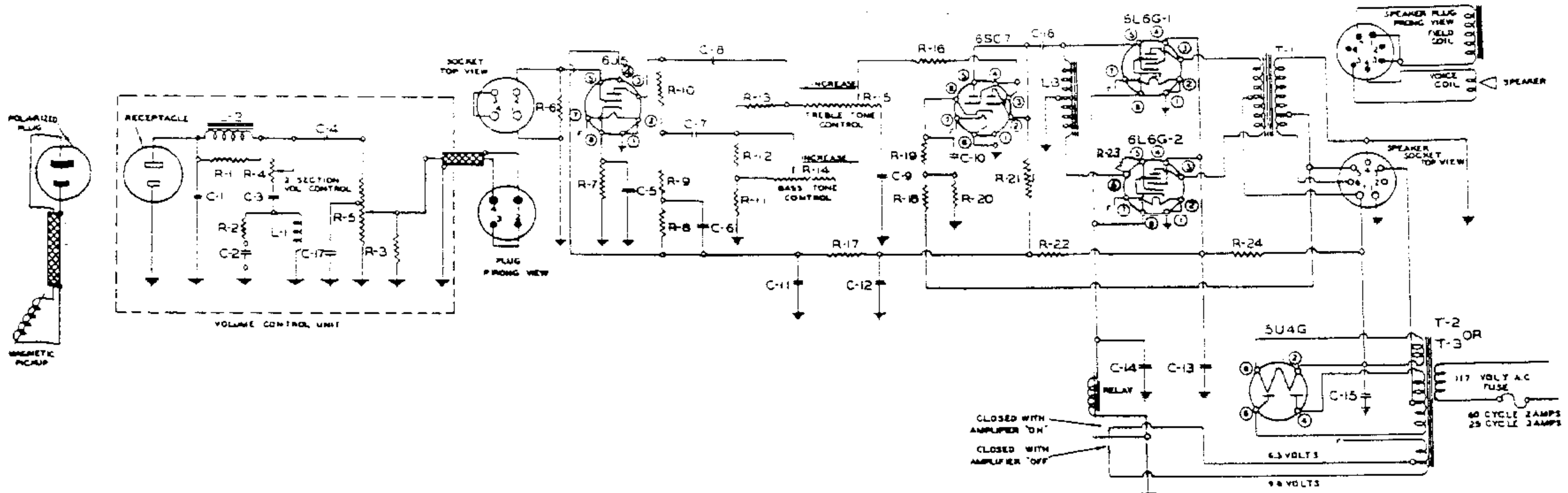
ITEM PART NO	VALUE	REMARKS	ITEM PART NO	VALUE	REMARKS	ITEM PART NO	VALUE	REMARKS	ITEM PART NO	VALUE	REMARKS	
R 1	36554	RESISTORS	R 18	36435	RESISTORS	C 1	28143	CONDENSERS	C 18	20	MFD	
R 2	25418	3900 OHMS ± 10% 1/2 WATT	R 19	28383	750000 OHMS ± 10% TONE CON. TREBLE	C 2	28123	.01 MFD ± 10% 200 WV	C 19	36439	20	MFD
R 3	15000	1500 OHMS ± 10% 1/2 WATT	R 20	35923	1000000 OHMS ± 10% 1/2 WATT	C 3	22545	.3 MFD ± 10% 120 WV	C 20		20	MFD
R 4	37186	150000 OHMS VOL. CON. REAR	R 21	35923	330000 OHMS ± 10% 1/2 WATT	C 4	36474	.03 MFD ± 10% 200 WV	C 21		20	MFD
R 5	15000	3500 OHMS VOL. CON. CENTER	R 22	36325	1200 OHMS ± 10% 1/2 WATT	C 5	36472	.0015 MFD ± 10% 500 WV	C 22	36438	30	MFD
R 6	20835	150000 OHMS VOL. CON. PANEL	R 23	37388	1200 OHMS ± 10% 1/2 WATT	C 6	36432	.001 MFD ± 10% 600 WV				
R 7	36323	270000 OHMS ± 10% 1/2 WATT	R 24	37388	220 OHMS ± 5% 1/2 WATT	C 7	22545	20. MFD ± 10% 25 WV				
R 8	36324	270000 OHMS ± 10% 1/2 WATT	R 25	21200	5100 OHMS ± 5% 1 WATT	C 8	36440	.03 MFD ± 10% 200 WV				
R 9	36324	560000 OHMS ± 10% 1/2 WATT	R 26	36326	10000 OHMS ± 10% 1/2 WATT	C 9	22850	.00075 MFD ± 10% 500 WV				
R 10	21200	3300 OHMS ± 10% 1/2 WATT	R 27	35924	56000 OHMS ± 10% 1/2 WATT	C 10	36440	.01 MFD ± 10% 400 WV				
R 11	36443	10000 OHMS ± 10% 1/2 WATT	R 28	36326	560000 OHMS ± 10% 1/2 WATT	C 11	36432	.00075 MFD ± 10% 600 WV				
R 12	22528	6800 OHMS ± 10% 1/2 WATT	R 29	35925	56000 OHMS ± 10% 1/2 WATT	C 12	36469	8. MFD ± 10% 350 WV				
R 13	32446	220000 OHMS ± 10% 1/2 WATT	R 30	35925	82000 OHMS ± 10% 1/2 WATT	C 13	36431	.075 MFD ± 10% 400 WV				
R 14	36436	39000 OHMS ± 10% 1/2 WATT	R 31	36442	82000 OHMS ± 10% 1/2 WATT	C 14	22850	.01 MFD ± 10% 400 WV				
R 15	26383	1000000 OHMS ± 10% TONE CON. BASS	R 32	36441	68000 OHMS ± 10% 1/2 WATT	C 15	36431	.075 MFD ± 10% 400 WV				
R 16	20835	1000000 OHMS ± 10% 1/2 WATT	R 33	36786	22000 OHMS ± 10% 1/2 WATT							
R 17	35246	150000 OHMS ± 10% 1/2 WATT	R 34	37446	150 OHMS BLEEDER							
		27000 OHMS ± 10% 1/2 WATT			39000 OHMS ± 10% 1/2 WATT							

VOLTAGES & CURRENTS OF MODEL 800 AMPLIFIER		ALL MEASUREMENTS MADE WITH LINE AT 117 VOLTS 25 OR 60 CYCLE			
AVERAGE PLATE & SCREEN VOLTAGE MEASURED TO CHASSIS		AVERAGE PLATE CURRENT FOR ALL VOLTAGES OVER 50 USE 500 VOLT SCALE			
AVERAGE DC VOLTAGE ACROSS CONDENSERS		AVERAGE FILAMENT VOLTAGE			
6L6G PLATE	300 VOLTS DC	C 22	396 VOLTS DC	6L6G FILAMENT	6.3 VOLTS AC
6SC7 PLATE	150 VOLTS DC	C 21	307 VOLTS DC	6SC7 FILAMENT	6.3 VOLTS AC
6J5 PLATE	50 VOLTS DC	C 20	23.5 VOLTS DC	6J5 FILAMENT	6.3 VOLTS AC
		C 19	228 VOLTS DC	FILAMENT VOLTAGES ARE 9V FOR ACCELERATED CATHODE HEATING WHEN FILAMENTS ARE COOL	
		C 18	2 VOLTS DC	5Z3 FILAMENT	5 VOLTS AC
		C 12	218 VOLTS DC		
		C 11	2 VOLTS DC		
		C 6	2 VOLTS DC		

SPEAKER FIELD RESISTANCE 4000 OHMS 307 VOLTS DC BETWEEN TERMINALS 1 & 3 OF SPEAKER SOCKET



ITEM PART NO	VALUE	REMARKS	ITEM PART NO	VALUE	REMARKS	ITEM PART NO	VALUE	REMARKS	ITEM PART NO	VALUE	REMARKS																																																
RESISTORS			RESISTORS			CONDENSERS			CONDENSERS																																																		
R1	41351	2400 OHMS ± 10% 1/2 WATT	R18	40229	5100 OHMS ± 5% 1/2 WATT	C1	34126	0025 MFD ± 10% 500 WV	C18	22545	03 MFD ± 10% 200 WV																																																
R2	40284	35000 " ± 10% 1/2 "	R19	40225	910 " ± 5% 1/2 "	C2	24329	" " ± 10% 200 "	C19	36472	001 " ± 10% 600 "																																																
R3	20287	15000 " ± 10% 1/2 "	R20	40224	130 " ± 5% 1/2 "	C3	37053	4 " ± 10% 200 "																																																			
R4	41338	10000 " VOL. CON. REAR	R21	36326	56000 " ± 10% 1/2 "	C4	22534	015 " ± 10% 200 "																																																			
R5	150000	" VOL. CON. PANEL	R22	37370	3200 " ± 10% 1/2 "	C5	36432	20 " ± 10% 25 "																																																			
R6	55924	560000 " ± 10% 1/2 WATT	R23	35925	82000 " ± 10% 1/2 "	C6	22545	03 " ± 10% 200 "																																																			
R7	36324	3300 " ± 10% 1/2 "	R24	40223	100 " ± 10% 1/2 "	C7	28145	006 " ± 10% 600 "																																																			
R8	22000	220000 " ± 10% 1/2 "	R25	41333	7500 " ± 10% 1/2 "	C8	36440	00075 " ± 10% 600 "																																																			
R9	37370	8200 " ± 10% 1/2 "	R26	20855	150000 " ± 10% 1/2 "	C9	36440	00075 " ± 10% 600 "																																																			
R10	36441	22000 " ± 10% 1/2 "	R27	41350	750000 " ± 10% 1/2 "	C10	36432	20 " ± 10% 25 "																																																			
R11	37448	39000 " ± 10% 1/2 "			C11	36469	8 " ± 10% 350 "																																																				
R12	28153	1000000 " ± 10% 1/2 "			C12		20 " ± 10% 350 "																																																				
R13	40226	33000 " ± 10% 1/2 "			C13		40 " ± 10% 400 "																																																				
R14	40607	1000000 " TONE CON. BASS			C14	40149	20 " ± 10% 25 "																																																				
R15	40227	250000 " ± 10% 1/2 WATT			C15	40150	50 " ± 10% 400 "																																																				
R16	37448	39000 " ± 10% 1/2 WATT			C16	38548	25 " ± 10% 400 "																																																				
R17	121200	10000 " ± 10% 1/2 "			C17	40283	0035 " ± 10% 600 "																																																				
<p>VOLTAGES & CURRENTS OF MODELS 501 & 502 AMPLIFIERS. ALL MEASUREMENTS MADE WITH LINE AT 117 VOLTS 25 OR 60 CYCLES ALL VOLTAGES MEASURED WITH 1000 OHMS PER VOLT VOLTME-TR FOR VOLTAGES OVER 50 USE 500 VOLT SCALE</p> <table border="1"> <thead> <tr> <th colspan="2">AVERAGE PLATE & SCREEN VOLTAGE MEASURED TO CHASSIS</th> <th colspan="2">AVERAGE PLATE CURRENT</th> <th colspan="2">AVERAGE VOLTAGE ACROSS CONDENSERS</th> <th colspan="2">AVERAGE FILAMENT VOLTAGE</th> </tr> </thead> <tbody> <tr> <td>6L6G</td> <td>PLATE 310 VOLTS D.C.</td> <td>6L6G</td> <td>68 MA D.C.</td> <td>C15</td> <td>320 VOLTS D.C.</td> <td>8L6G</td> <td>6.3 VOLTS A.C.</td> </tr> <tr> <td>6L6G</td> <td>SCREEN 315 " " "</td> <td>6SC7</td> <td>1.8 " " "</td> <td>C14</td> <td>20 " " "</td> <td>6SC7</td> <td>6.3 " " "</td> </tr> <tr> <td>6SC7</td> <td>PLATE 170 " " "</td> <td>6C5</td> <td>8 " " "</td> <td>C13</td> <td>315 " " "</td> <td>6C5</td> <td>5.3 " " "</td> </tr> <tr> <td>6C5</td> <td>PLATE 70 " " "</td> <td></td> <td></td> <td>C12</td> <td>290 " " "</td> <td colspan="2">FILAMENT VOLTAGES ARE 9.8 FOR ACCELERATED CATHODE HEATING WHEN FILAMENTS ARE COOL</td> </tr> <tr> <td></td> <td></td> <td></td> <td></td> <td>C11</td> <td>275 " " "</td> <td>5Z3</td> <td>5 VOLTS A.C.</td> </tr> </tbody> </table> <p>SPEAKER FIELD RESISTANCE 5200 OHMS VOICE COIL 8 OHMS 320 VOLTS D.C. BETWEEN TERMINALS 1 & 7 OF SPEAKER SOCKET</p>												AVERAGE PLATE & SCREEN VOLTAGE MEASURED TO CHASSIS		AVERAGE PLATE CURRENT		AVERAGE VOLTAGE ACROSS CONDENSERS		AVERAGE FILAMENT VOLTAGE		6L6G	PLATE 310 VOLTS D.C.	6L6G	68 MA D.C.	C15	320 VOLTS D.C.	8L6G	6.3 VOLTS A.C.	6L6G	SCREEN 315 " " "	6SC7	1.8 " " "	C14	20 " " "	6SC7	6.3 " " "	6SC7	PLATE 170 " " "	6C5	8 " " "	C13	315 " " "	6C5	5.3 " " "	6C5	PLATE 70 " " "			C12	290 " " "	FILAMENT VOLTAGES ARE 9.8 FOR ACCELERATED CATHODE HEATING WHEN FILAMENTS ARE COOL						C11	275 " " "	5Z3	5 VOLTS A.C.
AVERAGE PLATE & SCREEN VOLTAGE MEASURED TO CHASSIS		AVERAGE PLATE CURRENT		AVERAGE VOLTAGE ACROSS CONDENSERS		AVERAGE FILAMENT VOLTAGE																																																					
6L6G	PLATE 310 VOLTS D.C.	6L6G	68 MA D.C.	C15	320 VOLTS D.C.	8L6G	6.3 VOLTS A.C.																																																				
6L6G	SCREEN 315 " " "	6SC7	1.8 " " "	C14	20 " " "	6SC7	6.3 " " "																																																				
6SC7	PLATE 170 " " "	6C5	8 " " "	C13	315 " " "	6C5	5.3 " " "																																																				
6C5	PLATE 70 " " "			C12	290 " " "	FILAMENT VOLTAGES ARE 9.8 FOR ACCELERATED CATHODE HEATING WHEN FILAMENTS ARE COOL																																																					
				C11	275 " " "	5Z3	5 VOLTS A.C.																																																				



ITEM PART NO	VALUE	REMARKS	ITEM PART NO	VALUE	REMARKS	ITEM PART NO	VALUE	REMARKS	ITEM PART NO	VALUE	REMARKS
RESISTORS			RESISTORS			CONDENSERS			CONDENSERS		
R-1	46373	43000 OHMS ± 5% 1/2 WATT	R-16	37446	39000 OHMS ± 10% 1/2 WATT	C-1	36472	.001 MFD ± 10% 500 WV	C-16	138548	25 MFD ± 10% 400 WV
R-2	25418	500 OHMS ± 10% 1/2 WATT	R-17	21200	10000 OHMS ± 10% 1/2 WATT	C-2	45776	.01 MFD ± 10% 500 WV	C-17	28145	.005 MFD ± 10% 500 WV
R-3	20855	50000 OHMS ± 10% 1/2 WATT	R-18	40229	5100 OHMS ± 5% 1/2 WATT	C-3	28123	.3 MFD ± 10% 120 WV			
R-4	45103	10000 OHMS VOL CON REAR	R-19	40225	910 OHMS ± 5% 1/2 WATT	C-4	45775	.02 MFD ± 10% 200 WV	CHOKES		
R-5	45103	150000 OHMS VOL CON FRONT	R-20	40224	130 OHMS ± 5% 1/2 WATT	C-5	36432	.20 MFD ± 100% 10% 25 WV	L-1	35917	400 MH COIL
R-6	35929	563000 OHMS ± 10% 1/2 WATT	R-21	36326	56000 OHMS ± 10% 1/2 WATT	C-6	22545	.03 MFD ± 10% 200 WV	L-2	37185	920 MH COIL
R-7	36324	3300 OHMS ± 10% 1/2 WATT	R-22	37370	8200 OHMS ± 10% 1/2 WATT	C-7	28145	.005 MFD ± 10% 500 WV	L-3	40145	INPUT CHOKE
R-8	22526	220000 OHMS ± 10% 1/2 WATT	R-23	35925	82000 OHMS ± 10% 1/2 WATT	C-8	36440	.00075 MFD ± 10% 500 WV	TRANSFORMERS		
R-9	37370	8200 OHMS ± 10% 1/2 WATT	R-24	40223	100 OHMS ± 10% 1 WATT	C-9	36440	.00075 MFD ± 10% 500 WV	T-1	40146	OUTPUT
R-10	36441	22000 OHMS ± 10% 1/2 WATT				C-10	36432	.20 MFD ± 100% 10% 25 WV	T-2	40147	50-60 CYCLES POWER (503)
R-11	37446	39000 OHMS ± 10% 1/2 WATT				C-11	36469	.8 MFD ± 100% 10% 350 WV	T-3	40243	25 CYCLES POWER (504)
R-12	38383	1000000 OHMS ± 10% 1/2 WATT				C-12	40149	.20 MFD ± 100% 10% 350 WV			
R-13	40226	33000 OHMS ± 10% 1/2 WATT				C-13	40149	.40 MFD ± 100% 10% 400 WV			
R-14	40607	1000000 OHMS ± 10% 1/2 WATT				C-14	40149	.20 MFD ± 100% 10% 25 WV			
R-15	46112	250000 OHMS ± 10% 1/2 WATT				C-15	40150	.50 MFD ± 50% 10% 400 WV			

VOLTAGE & CURRENTS OF MODELS 503-504 AMPLIFIERS
ALL VOLTAGES MEASURED WITH 1000 OHMS PER VOLT VOLTMETER

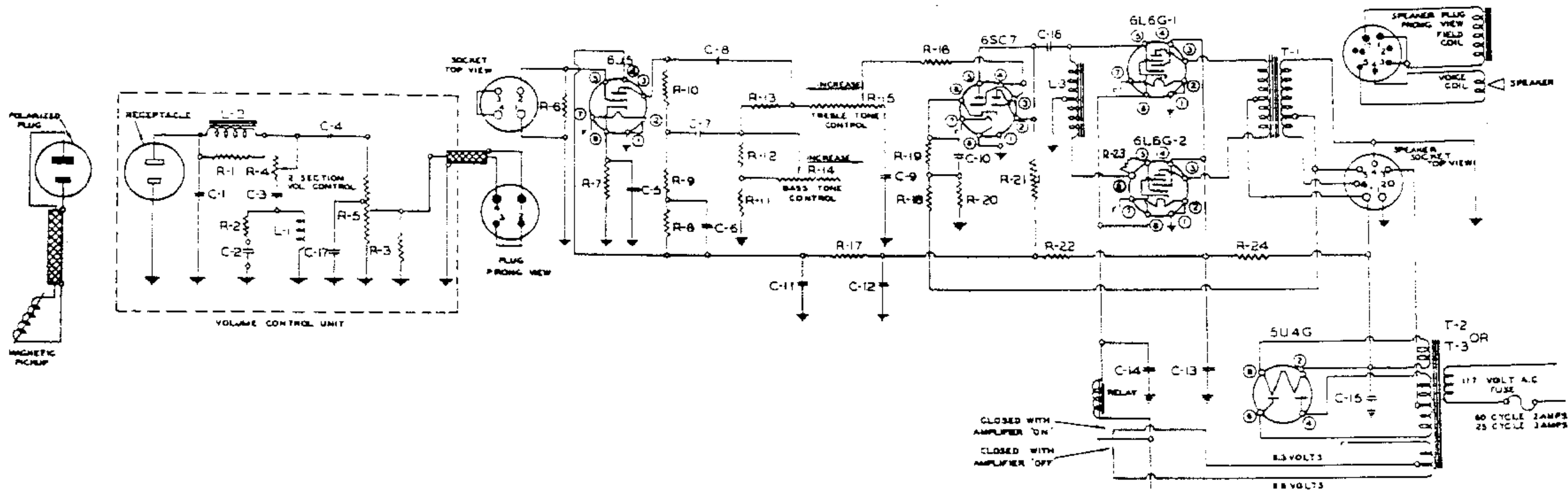
AVERAGE PLATE & SCREEN VOLTAGE			AVERAGE PLATE CURRENT			AVERAGE VOLTAGE ACROSS CONDENSER			AVERAGE FILAMENT VOLTAGE							
MEASURED	°C	CHASSIS	6L6G	58	MA	DC	C-15	320	VOLTS	DC	6L6G	6.3	VOLTS	AC		
6L6G	PLATE	310	VOLTS	DC	6SC7	1.8	MA	DC	C-14	20	VOLTS	DC	6SC7	6.3	VOLTS	AC
6L6G	SCREEN	315	VOLTS	DC	6J5	.8	MA	DC	C-13	315	VOLTS	DC	6J5	6.3	VOLTS	AC
6SC7	PLATE	170	VOLTS	DC					C-12	290	VOLTS	DC				
6J5	PLATE	70	VOLTS	DC												

FILAMENT VOLTAGES ARE 9.5 FOR ACCELERATED CATHODE HEATING WHEN FILAMENTS ARE 200

5U4G 5 VOLTS AC

SPEAKER FIELD RESISTANCE 5200 OHMS
320 VOLTS DC BETWEEN VOICE COIL 8 OHMS
TERMINALS 1 & 7 OF SPEAKER SOCKET

Note Later Model 503 Amplifier showing new wiring of Resistor R-23



ITEM	PART NO.	VALUE	REMARKS	ITEM	PART NO.	VALUE	REMARKS	ITEM	PART NO.	VALUE	REMARKS	ITEM	PART NO.	VALUE	REMARKS
RESISTORS				RESISTORS				CONDENSERS				CONDENSERS			
R-1	46373	43000 OHMS ± 5%	1/2 WATT	R-16	37446	39000 OHMS ± 10%	1/2 WATT	C-1	36472	.001 MFD	± 10% 600 WV	C-6	38548	.25 MFD	± 10% 400 WV
R-2	25418	500 OHMS ± 10%	1/2 WATT	R-17	21200	10000 OHMS ± 10%	1/2 WATT	C-2	45776	.01 MFD	± 10% 500 WV	C-7	28145	.008 MFD	± 10% 600 WV
R-3	20855	15000 OHMS ± 10%	1/2 WATT	R-18	40229	5100 OHMS ± 5%	1/2 WATT	C-3	28123	.03 MFD	± 10% 120 WV	C-8		.006 MFD	± 10% 600 WV
R-4	45103	10000 OHMS	VOL CON REAR	R-19	40225	910 OHMS ± 5%	1/2 WATT	C-4	45775	.02 MFD	± 10% 200 WV				
R-5	45103	150000 OHMS	VOL CON FRONT	R-20	40224	130 OHMS ± 5%	1/2 WATT	C-5	36432	.20 MFD	± 100% 10% 25 WV				
R-6	35929	56000 OHMS ± 10%	1/2 WATT	R-21	36328	56000 OHMS ± 10%	1/2 WATT	C-6	22545	.03 MFD	± 10% 200 WV	L-1	35917	400 MH	COIL
R-7	36324	3300 OHMS ± 10%	1/2 WATT	R-22	37370	8200 OHMS ± 10%	1/2 WATT	C-7	28145	.008 MFD	± 10% 600 WV	L-2	37185	920 MH	COIL
R-8	22528	22000 OHMS ± 10%	1/2 WATT	R-23	35925	82000 OHMS ± 10%	1/2 WATT	C-8	36440	.00075 MFD	± 10% 600 WV	L-3	40145		INPUT CHOKE
R-9	37370	820 OHMS ± 10%	1/2 WATT	R-24	40223	100 OHMS ± 10%	1 WATT	C-9	36440	.00075 MFD	± 10% 600 WV				
R-10	36441	22000 OHMS ± 10%	1/2 WATT					C-10	36432	.20 MFD	± 100% 10% 25 WV	T-1	40145		OUTPUT TRANSFORMERS
R-11	37426	39000 OHMS ± 10%	1/2 WATT					C-11	36469	.8 MFD	± 100% 10% 350 WV	T-2		50-60 CYCLES	POWER (503)
R-12	36383	100000 OHMS ± 10%	1/2 WATT					C-12	40149	.20 MFD	± 100% 10% 400 WV	T-3	40243	25 CYCLES	POWER (504)
R-13	40226	33000 OHMS ± 10%	1/2 WATT					C-13	40149	.40 MFD	± 100% 10% 400 WV				
R-14	40807	100000 OHMS	TONE CON BASS	40144		RELAY		C-14	40149	.20 MFD	± 100% 10% 25 WV				
R-15	46112	250000 OHMS	TONE CONTR. BASS			130 OHMS	S PDT	C-15	40150	.50 MFD	± 50% 10% 400 WV				

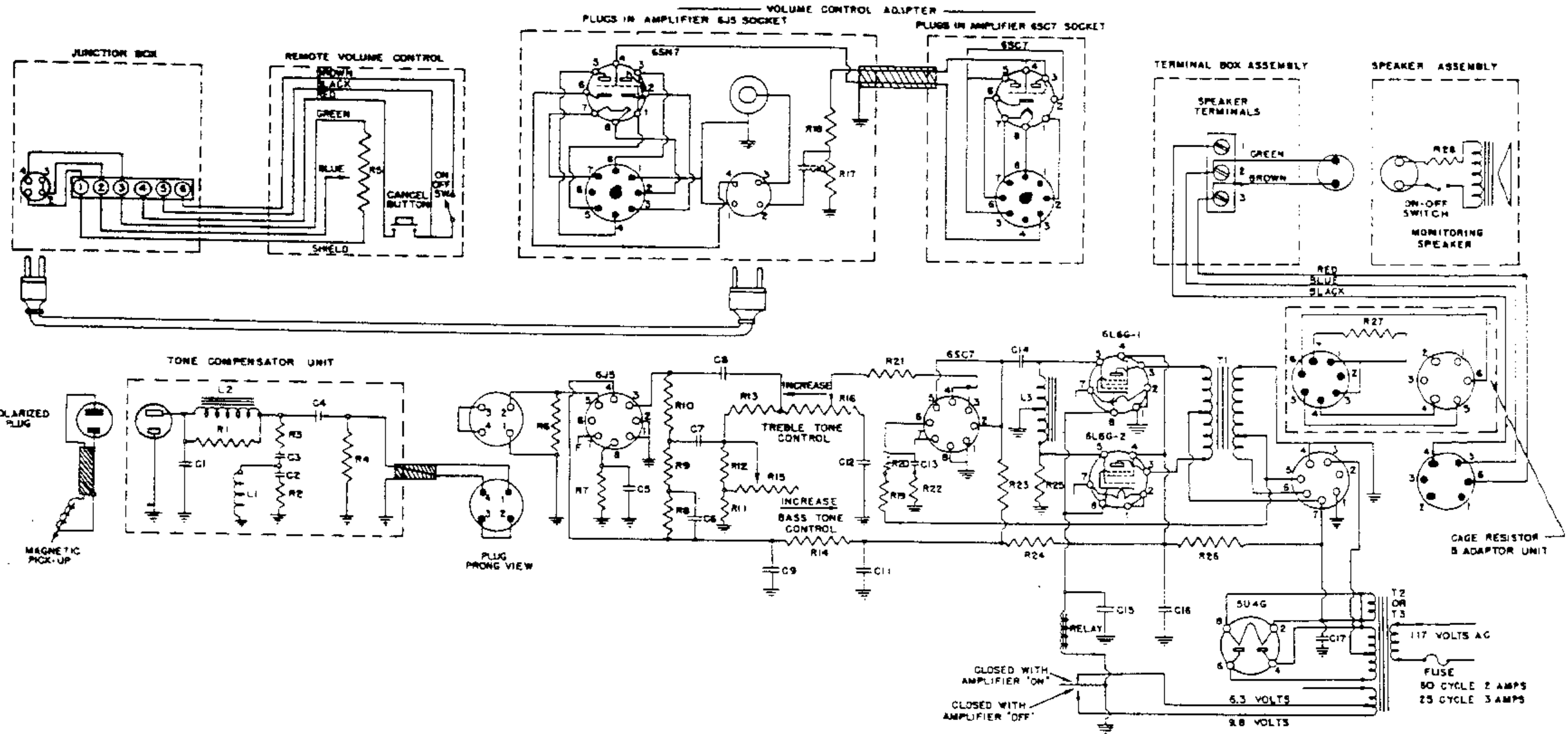
VOLTAGE & CURRENTS OF MODELS 503-504 AMPLIFIERS
ALL VOLTAGES MEASURED WITH 1000 OHMS PER VOLT VOLTMETER

ALL MEASUREMENTS MADE WITH LINE AT 117 VOLTS 25 OR 60 CYCLES
FOR VOLTAGES OVER 50 USE 500 VOLT SCALE

AVERAGE PLATE & SCREEN VOLTAGE				AVERAGE PLATE CURRENT				AVERAGE VOLTAGE ACROSS CONDENSER				AVERAGE FILAMENT VOLTAGE			
MEASURED TO CHASSIS				6L6G				6SC7				5U4G			
6L6G	PLATE	310	VOLTS D.C.	6L6G	88	MA	D.C.	6SC7	320	VOLTS	D.C.	5U4G	5.3	VOLTS	A.C.
6L6G	SCREEN	315	VOLTS D.C.	6SC7	1.8	MA	D.C.	C-15	20	VOLTS	D.C.	5SC7	5.3	VOLTS	A.C.
6SC7	PLATE	170	VOLTS D.C.	5U4G	8	MA	D.C.	C-14	315	VOLTS	D.C.	6L5	5.3	VOLTS	A.C.
6SC7	PLATE	170	VOLTS D.C.					C-12	290	VOLTS	D.C.	FILAMENT VOLTAGES ARE 9.8 FOR ACCELERATED CATHODE HEATING WHEN FILAMENTS ARE HOT			
								C-11	2.5	VOLTS	D.C.	5U4G	5	VOLTS	A.C.

SPEAKER FIELD RESISTANCE 5200 OHMS
320 VOLTS D.C. BETWEEN TERMINALS 1 & 7 OF SPEAKER SOCKET

Note Later Model 503 Amplifier showing new wiring of Resistor R-23



ITEM	PART NO.	VALUE	REMARKS	ITEM	PART NO.	VALUE	REMARKS	ITEM	PART NO.	VALUE	REMARKS	ITEM	PART NO.	VALUE	REMARKS
RESISTORS															
R1	37446	39000 OHMS	±10% 1/3 WATT	R12	36383	1000000 OHMS	±10% 1/3 WATT	R23	36326	56000 OHMS	±10% 1/3 WATT	C4	45775	02 MFD	±10% 200 W V
R2	25418	1500 OHMS		R13	40226	33000 OHMS		R24	37370	8200 OHMS	±10% 1/3 WATT	C5	36432	20 MFD	+100%-10% 25 W V
R3	20267	15000 OHMS		R14	21200	10000 OHMS		R25	37925	82000 OHMS	±10% 1/3 WATT	C6	22545	20 MFD	±10% 200 W V
R4	20835	150000 OHMS		R15	40607	1000000 OHMS		R26	40223	100 OHMS	±10% 1 WATT	C7	28143	006 MFD	±10% 600 W V
R5	46883	3000 OHMS	±20% VOL CONT	R16	46112	250000 OHMS	TONE CONTREBLE	R27	46998	3200 OHMS	±10% 25 WATT	C8	36440	00075 MFD	±10% 600 W V
R6	35923	56000 OHMS	±10% 1/3 WATT	R17	36323	270000 OHMS	±10% 1/3 WATT	R28	47979	10 OHMS	±10% 1 WATT	C9	36469	8 MFD	+100%-10% 350 W V
R7	36324	3300 OHMS		R18	35925	82000 OHMS	±10% 1/3 WATT					C10	22545	03 MFD	±10% 200 W V
R8	22328	220000 OHMS		R19	40229	5100 OHMS	±5% 1/2 WATT					C11	40149	20 MFD	+100%-10% 350 W V
R9	37370	8200 OHMS		R20	40223	910 OHMS	±5% 1/3 WATT					C12	36440	00075 MFD	±10% 600 W V
R10	36441	22000 OHMS		R21	37446	39000 OHMS	±10% 1/3 WATT					C13	36432	20 MFD	+100%-10% 25 W V
R11	37446	39000 OHMS		R22	40224	130 OHMS	±5% 1/3 WATT					C14	36548	25 MFD	±10% 400 W V
CONDENSERS															

AVERAGE PLATE & SCREEN VOLTAGE				AVERAGE PLATE CURRENT				AVERAGE VOLTAGE ACROSS CONDENSER				AVERAGE FILAMENT VOLTAGE			
6L6G	PLATE	310	VOLTS DC	6L6G	68	MA	DC	C15	320	VOLTS	DC	6L6G	6.3	VOLTS	AC
6L6G	SCREEN	315	VOLTS DC	6SC7	18	MA	DC	C14	20	VOLTS	DC	6SC7	6.3	VOLTS	AC
6SC7	PLATE	170	VOLTS DC	6SN7	MA	DC		C13	315	VOLTS	DC	6SN7	6.3	VOLTS	AC
6SN7	PLATE		DC					C12	290	VOLTS	DC	FILAMENT VOLTAGES ARE 9.8 FOR ACCELERATED			
6.3	PLATE	70	VOLTS DC					C11		VOLTS	DC	CATHOD HEATING WHEN FILAMENTS ARE COOL			
												5U4G	5	VOLTS	AC

ITEM	PART NO.	VALUE	REMARKS	ITEM	PART NO.	VALUE	REMARKS
RESISTORS				CAPACITORS			
R-1	72264-41	1,000,000	OHMS - 5% 1/2 WATT	C-1	50042	50	MMFD - 2% 500 W.V.
R-2	72377-11	51,000	" - 5% 1 "	C-2	50042	50	" - 2% 500 " "
R-3	72-89-11	51,000	" - 5% 1/3 "	C-3	73033-24	.1	MFD -10% 400 " "
R-4	72240-41	100,000	" - 5% 1/2 "	C-4	73016-64	.02	" -30%-10% 400 " "
R-5	72240-42	100,000	" -10% 1/2 "	C-5	50041	100	MMFD -10% 500 " "
R-6	72256-42	470,000	" -10% 1/2 "	C-6	73014-64	.01	MFD -30%-10% 400 " "
R-7	72058-12	2,700	" -10% 1/3 "	C-7	49857	20	" 100%-10% 25 " "
R-8	72130-12	2,700,000	" -10% 1/3 "	C-8		20	" 100%-10% 400 " "
R-9	72064-12	4,700	" -10% 1/3 "	C-9	73346	10	" 100%-10% 450 " "
R-10	72-64-12	4,700	" -10% 1/3 "	C-10		10	" 100%-10% 450 " "
R-11	72084-12	33,000	" -10% 1/3 "	C-11	73013-66	.008	" 30%-10% 600 " "
R-12	72060-12	3,300	" -10% 1/3 "	C-12	73099-220	.5	" -10% 400 " "
R-13	72072-12	10,000	" -10% 1/3 "	C-13	73009-26	.004	" -10% 600 " "
R-14	72090-12	56,000	" -10% 1/3 "	C-14	73033-22	.1	" -10% 200 " "
R-15	72240-31	100,000	" - 5% 1/2 "	C-15	73289-450	8	" 50%-10% 400 " "
R-16	72114-12	560,000	" -10% 1/3 "	C-16	73033-62	.1	" 30%-10% 200 " "
R-17	72260-31	680,000	" - 5% 1/2 "	C-17	73004-26	.001	" -10% 600 " "
R-18	72240-31	100,000	" - 5% 1/2 "	C-18	73099-640	.5	" 30%-10% 400 " "
R-19	72260-31	680,000	" - 5% 1/2 "	C-19	73014-64	.01	" 30%-10% 400 " "
R-20	72120-12	1,000,000	" -10% 1/3 "	C-20	73020-64	.05	" 30%-10% 400 " "
R-21	72072-12	10,000	" -10% 1/3 "	C-21	73014-64	.01	" 30%-10% 400 " "
R-22	72244-31	150,000	" - 5% 1/2 "	C-22	73003-26	.00075	MFD -10% 600 " "
R-23	72106-12	270,000	" -10% 1/3 "	C-23	73293-210	20	MFD 150%-10% 25 " "
R-24	72114-12	560,000	" -10% 1/3 "	C-24		20	" 100%-10% 400 " "
R-25	40227	250,000	" TONE CONTROL	D-25	49910	40	" 100%-10% 400 " "
R-26	72048-12	1,000	" -10% 1/3 WATT	C-26		20	" 100%-10% 25 " "
R-27	72204-31	3,300	" - 5% 1/2 "	C-27	73014-64	.01	" 30%-10% 400 " "
R-28	72100-12	150,000	" -10% 1/3 "	C-28	73002-26	.0005	" -10% 600 " "
R-29	72080-12	22,000	" -10% 1/3 "	C-29	73093-640	.1	" 30%-10% 400 " "
R-30	72114-12	560,000	" -10% 1/3 "	C-30	73093-640	.1	" 30%-10% 400 " "
R-31	72050-12	1,200	" -10% 1/3 "	C-31	73014-22	.01	" -10% 200 " "
R-32	72066-12	5,600	" -10% 1/3 "	C-32	40150	50	" 50%-10% 400 " "
R-33	72072-12	10,000	" -10% 1/3 "	TRANSFORMERS			
R-34	50386	50,000	" VOLUME CONTROL	T-1	47007		OUTPUT
R-35	50386	2,300	" VOLUME CONTROL	T-2	47023	50-60	CYCLE POWER 227
R-36	72096-12	100,000	" -10% 1/3 WATT	T-3	51219	25	" POWER 228
R-37	72096-12	100,000	" -10% 1/3 "	CHOKES			
R-38	72080-12	22,000	" -10% 1/3 "	L-1	49856		OSCILLATOR COIL
R-39	72240-31	100,000	" - 5% 1/2 "	L-2	50395	70	HENRIES
R-40	72306-12	56	" -10% 1 "	L-3	50538	155	"
R-41	72312-12	100-	" -10% 1 "				
R-42	72907-2	15,000	" -10% 20 "				
R-43							

THE RUDOLPH WURLITZER CO.

WURLITZER PA PAGE 1-41
MODEL 1017A

THE RUDOLPH WURLITZER CO.

	RELAYS	
50385	130 OHMS	SPDT
40144	130 "	SPDT OPTIONAL
48867	130 "	SPDT

50189 140 MMFD 10%-0% EXTENSION CABLE

VOLTAGE & CURRENTS OF MODELS 227 & 228 AMPLIFIERS. ALL VOLTAGES MEASURED WITH 1000 OHMS PER VOLT VOLTMETER.

ALL MEASUREMENTS MADE WITH LINE AT 117 VOLTS 25 OR 60 CYCLE FOR VOLTAGES OVER 50 USE 500 VOLT SCALE

PRE-AMPLIFIER VOLTAGES TO BE READ WITH VOLTOHMYST JUNIOR OR EQUIVALENT

AVERAGE PLATE & SCREEN VOLTAGE MEASURED TO CHASSIS

6L6G	PLATE	300 VOLTS	D.C.
6L6G	SCREEN	305 VOLTS	D.C.
6SN7	PLATE PIN 5	190 VOLTS	D.C.
6SN7	PLATE PIN 2	80 VOLTS	D.C.
6SJ7	PLATE	80 VOLTS	D.C.
6SJ7	SCREEN	20 VOLTS	D.C.
6J5	PLATE	165 VOLTS	D.C.

AVERAGE PLATE & SCREEN CURRENT

6L6G	PLATE	680 M.A.	D.C.
6L6G	SCREEN	2.7 M.A.	D.C.
6SN7	PLATE PIN 5	3.4 M.A.	D.C.
6SN7	PLATE PIN 2	1.1 M.A.	D.C.
6SJ7	PLATE	0.6 M.A.	D.C.
6SJ7	SCREEN	0.2 M.A.	D.C.
6J5	PLATE	2.4 M.A.	D.C.

AVERAGE VOLTAGE ACROSS CONDENSER

G-32	305 VOLTS	D.C.
G-26	20 VOLTS	D.C.
G-25	305 VOLTS	D.C.
G-24	270 VOLTS	D.C.
G-15	255 VOLTS	D.C.
G-10	280 VOLTS	D.C.
G-9	165 VOLTS	D.C.

AVERAGE FILAMENT VOLTAGE

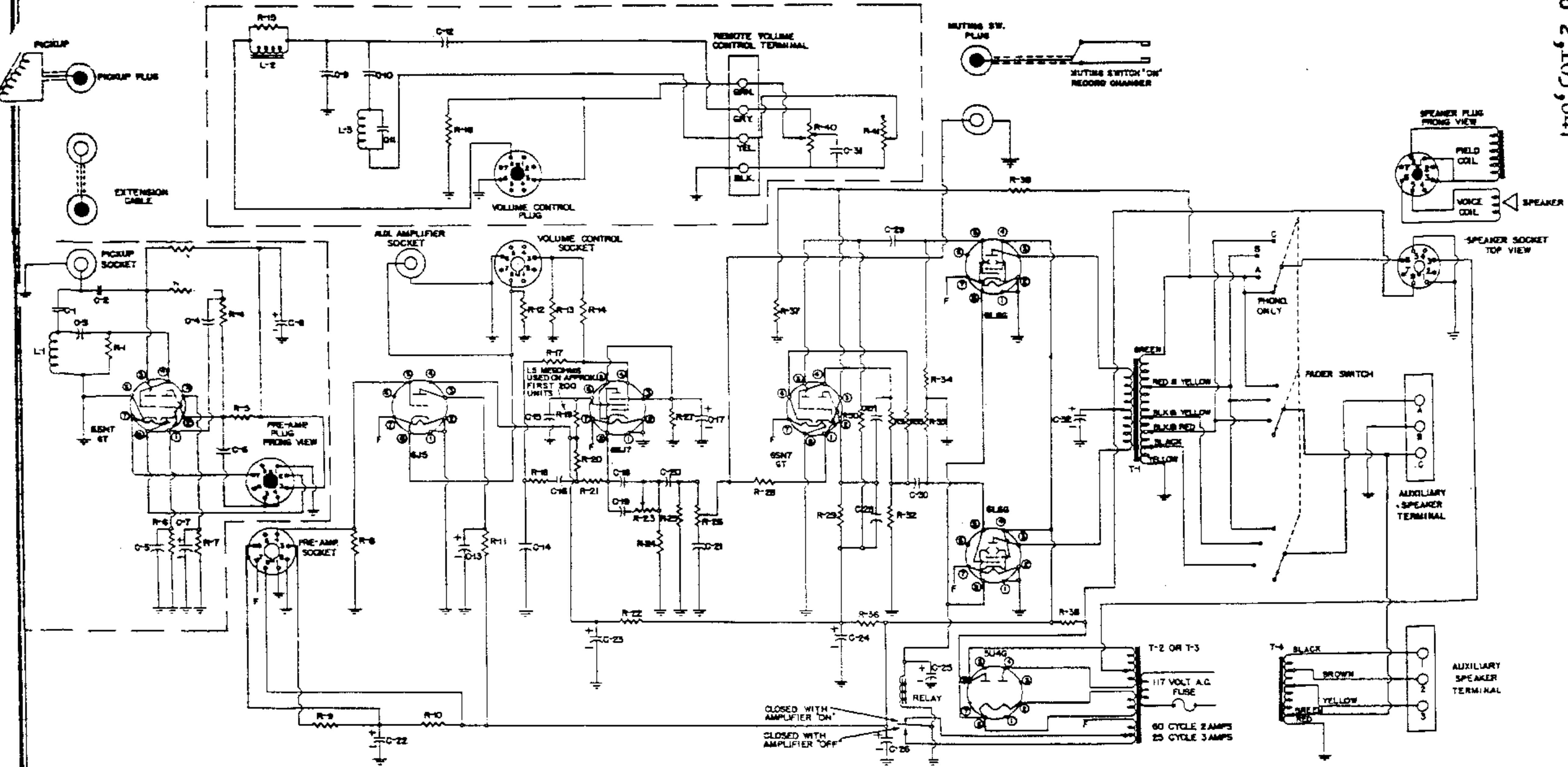
6L6G	6.3 VOLTS	A.C.
6SN7	6.3 VOLTS	A.C.
6SJ7	6.3 VOLTS	A.C.
6J5	6.3 VOLTS	A.C.

FILAMENT VOLTAGES ARE 99 FOR ACCELERATED CATHODE HEATING WHEN FILAMENTS ARE COOL
50V_{1G} 50 VOLTS A.C.

AVERAGE VOLTAGE ACROSS CONDENSER OR RESISTOR

G-7	4.0 VOLTS	D.C.
G-8	255 VOLTS	D.C.
R-1	5.0 VOLTS	D.C.

AVERAGE FILAMENT VOLTAGE	
6SN7	6.3 VOLTS A.C.



©John F. Rider

ITEM	PART NO.	VALUE	REMARKS	ITEM	PART NO.	VALUE	REMARKS
RESISTORS				CAPACITORS			
R-1	72264-41	1,000,000 OHMS	- 5% 1/2 WATT	C-1	50042	50. MMFD	- 2% 500 WV
R-2	72377-11	51,000 "	- 5% 1 "	C-2	50042	50. "	- 2% 500 WV
R-3	72089-11	51,000 "	- 5% 1/3 "	C-3	73033-24	.1 MFD	-10% 400 WV
R-4	72240-41	100,000 "	- 5% 1/2 "	C-4	73016-64	.02 "	30% -10% 400 WV
R-5	72240-42	100,000 "	-10% 1/2 "	C-5	50041	100. MMFD	-10% 500 WV
R-6	72256-42	470,000 "	-10% 1/2 "	C-6	73014-64	.01 MFD	30% -10% 400 WV
R-7	72058-12	2,700 "	-10% 1/3 "	C-7	49857	20. "	100% -10% 25 WV
R-8	72130-12	2,700,000 "	-10% 1/3 "	C-8		20. "	100% -10% 400 WV
R-9	72068-12	6,800 "	-10% 1/3 "	C-9	73010-26	.005 "	-10% 600 WV
R-10	72068-12	6,300 "	-10% 1/3 "	C-10	73099-220	.5 "	-10% 200 WV
R-11	72090-12	56,000 "	-10% 1/3 "	C-11	73014-22	.01 "	-10% 200 WV
R-12	72060-12	3,300 "	-10% 1/3 "	C-12	73033-22	.1 "	-10% 200 WV
R-13	72114-12	560,000 "	-10% 1/3 "	C-13	73289-480	8. "	50% -10% 400 WV
R-14	72240-31	100,000 "	- 5% 1/2 "	C-14	73004-26	.001 "	-10% 600 WV
R-15	72072-12	10,000 "	-10% 1/3 "	C-15	73099-640	.5 "	30% -10% 400 WV
R-16	72090-12	56,000 "	-10% 1/3 "	C-16	73014-64	.01 "	30% -10% 400 WV
R-17	72260-31	680,000 "	- 5% 1/2 "	C-17	73293-210	20. "	150% -10% 25 WV
R-18	72260-31	680,000 "	- 5% 1/2 "	C-18	73004-26	.001 "	-10% 600 WV
R-19	72120-12	1,000,000 "	-10% 1/3 "	C-19	73020-64	.05 "	30% -10% 400 WV
R-20	72240-31	100,000 "	- 5% 1/2 "	C-20	73014-64	.01 "	30% -10% 400 WV
R-21	72244-31	150,000 "	- 5% 1/2 "	C-21	73003-26	.00075 "	-10% 600 WV
R-22	72072-12	10,000 "	-10% 1/3 "	C-22	49919	10. "	100% -10% 400 WV
R-23	49789	1,000,000 "	TONE CONT BASS	C-23		10. "	100% -10% 400 WV
R-24	72106-12	270,000 "	-10% 1/3 WATT	C-24		20. "	100% -10% 25 WV
R-25	72114-12	560,000 "	-10% 1/3 "	C-25	49910	20. "	100% -10% 25 WV
R-26	40227	250,000 "	TONE CONT TREBLE	C-26		40. "	100% -10% 400 WV
R-27	72048-12	1,000 "	-10% 1/3 WATT	C-27	73014-64	.01 "	30% -10% 400 WV
R-28	72090-12	56,000 "	-10% 1/3 "	C-28	73390	.0002 "	-20% 500 WV
R-29	72100-12	150,000 "	-10% 1/3 "	C-29	73093-640	.1 "	-30% -10% 400 WV
R-30	72080-12	22,000 "	-10% 1/3 "	C-30	73093-640	.1 "	30% -10% 400 WV
R-31	72114-12	560,000 "	-10% 1/3 "	C-31	73014-22	.01 "	-10% 200 WV
R-32	72080-12	22,000 "	-10% 1/3 "	C-32	40150	50. "	-50% -10% 400 WV
R-33	72050-12	1,200 "	-10% 1/3 "				
R-34	72096-12	100,000 "	-10% 1/3 "				
R-35	72096-12	100,000 "	-10% 1/3 "				
R-36	72066-12	5,600 "	-10% 1/3 "				
R-37	72204-31	3,300 "	- 5% 1/2 "				
R-38	72312-12	100 "	-10% 1 "				
R-39	72229-31	36,000 "	- 5% 1/2 "				
R-40	50386	50,000 "	VOLUME CONTROL				
R-41	50386	2,300 "	" "				

50189 140 MMFD 10% -0% EXTENSION CABLE

TRANSFORMERS

T-1	49788		OUTPUT
T-2	49621	50-60 CYCLE	POWER 506
T-3	50832	25 "	" 507
T-4	49579		MATCHING

THE RUDOLPH WURLITZER CO. MODEL 1100, SERIAL 2,100,001 to 2,103,847

L-1 49856
L-2 50395
L-3 50538

CHOKES

7. HENRIES
.155 "

OSCILLATOR COIL

50385 130 RELAYS
40144 130 OHMS
48867 130 " "

S.P.D.T.
" " OPTIONAL

VOLTAGE AND CURRENTS OF MODELS 506 & 507 AMPLIFIERS
ALL VOLTAGES MEASURED WITH 1000 OHMS PER VOLT VOLTMETER
ALL MEASUREMENTS MADE WITH LINE AT 117 VOLTS 25 OR 60
CYCLE FOR VOLTAGES OVER 50 USE 500 VOLT SCALE

PRE-AMPLIFIER VOLTAGES TO BE READ WITH VOLTOHMYST JUNIOR OR EQUIVALENT

AVERAGE PLATE & SCREEN VOLTAGE MEASURED TO CHASSIS

6L6G	PLATE	315	VOLTS
6L6G	SCREEN	320	"
6SN7	PLATE #5	205	"
6SN7	PLATE #2	100	"
6SJ7	PLATE	85	"
6SJ7	SCREEN	25	"
6J5	PLATE	180	"

AVERAGE PLATE & SCREEN CURRENT

6L6G	PLATE	680	MA	DC
6L6G	SCREEN	52	"	"
6SN7	PLATE #5	39	"	"
6SN7	PLATE #2	1.5	"	"
6SJ7	PLATE	0.8	"	"
6SJ7	SCREEN	0.2	"	"
6J5	PLATE	2.7	"	"

AVERAGE VOLTAGE ACROSS CONDENSER

C-31	320	VOLTS	DC
C-29	320	"	"
C-30	20	"	"
C-28	285	"	"
C-10	275	"	"
C-9	285	"	"
C-11	180	"	"

AVERAGE FILAMENT VOLTAGE

6L6G	6.3	VOLTS	AC
6SN7	6.3	"	"
6SJ7	6.3	"	"
6J5	6.3	"	"

FILAMENT VOLTAGES ARE 9.9 FOR ACCELERATED CATHODE
HEATING WHEN FILAMENTS ARE COOL

504G 5. VOLTS AC

AVERAGE VOLTAGE ACROSS CONDENSER & RESISTOR

C-7	4.	VOLTS	DC
C-8	245.	"	"
R-1	5.	"	"

AVERAGE FILAMENT VOLTAGE

6SN7	6.3	VOLTS	AC
------	-----	-------	----