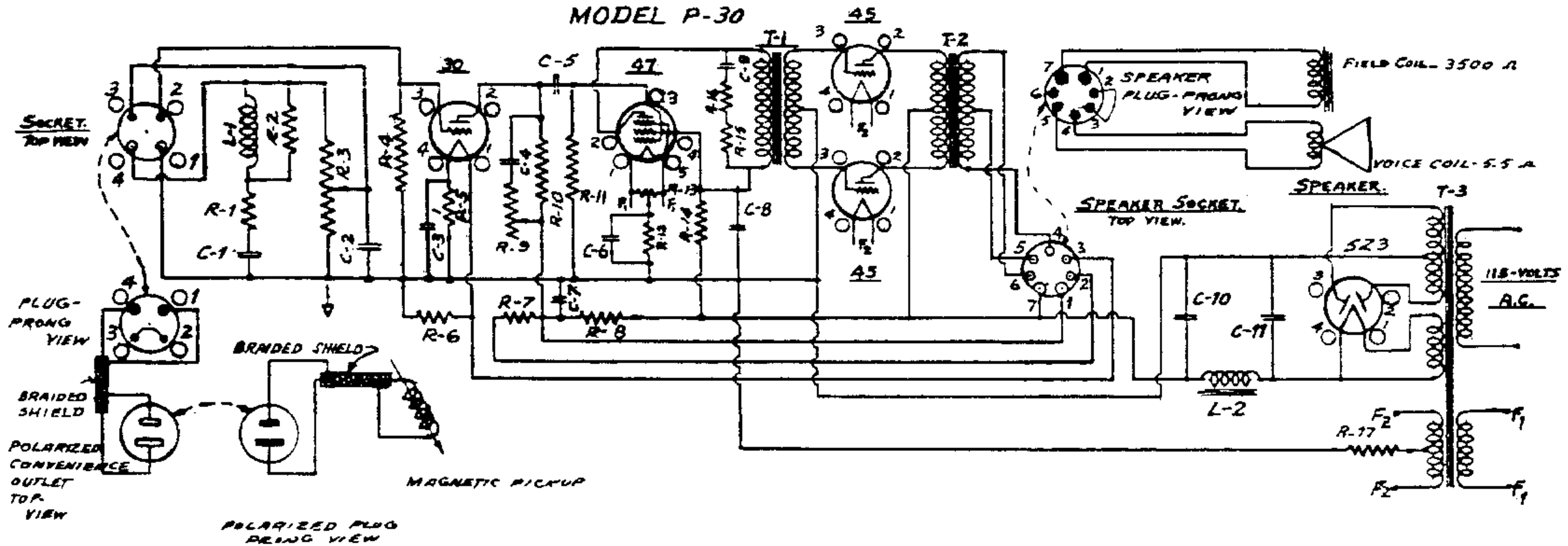
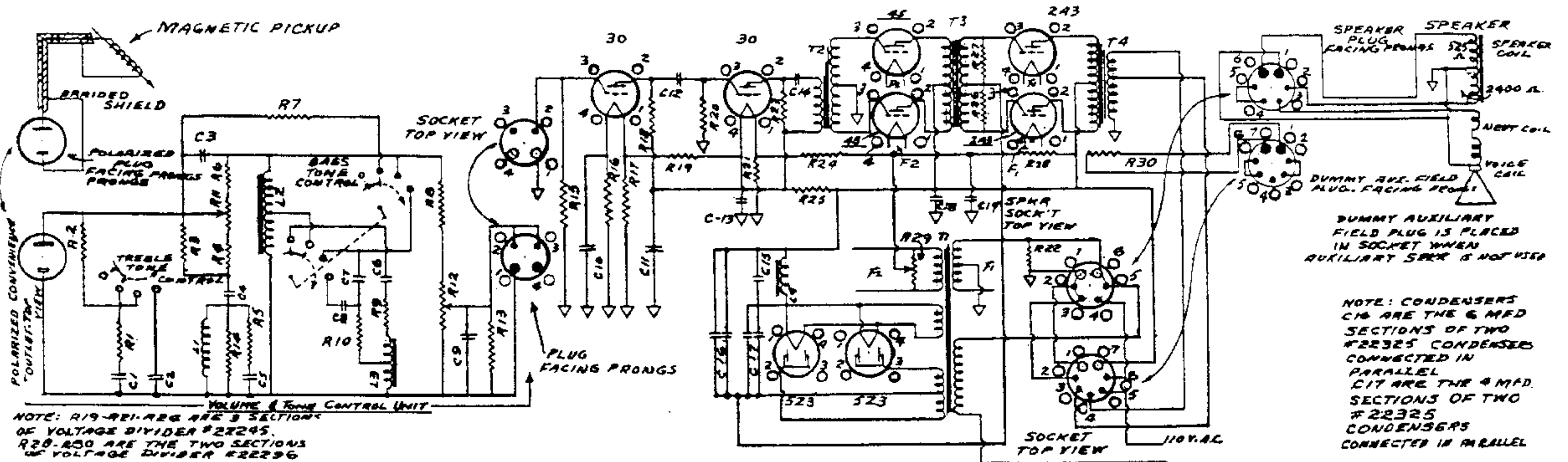


MODEL P-30



MODEL 35



ITEM	PART NO.	VALUE	REMARKS	TRANSFORMER	
				T-1 20590 AUDIO INPUT	
R-1	21200	10,000 OHMS	-10% 1/4 WATT	T-2 20767 AUDIO OUTPUT	
R-2	21200	10,000 "	-10% 1/4 "	T-3 5041 POWER TRANSFORMER	
R-3	20764	150,000 "	VOLUME CONTROL	T-4	
R-4	20750	500,000 "	-20% 1/4 WATT	T-5	
R-5	20159	65 "	- 5% 1/2 "	CHOKES	
R-6	20155	280 "	VOLTAGE DIVIDER	L-1 20765 AIR CORE	
R-7		1,850 "	" "	L-2 5048 POWER FILTER CHOKE	
R-8		7,000 "	" "	L-3	
R-9	20764	150,000 "	TONE CONTROL	SPEAKER	
R-10	4409	100,000 "	-20% 1/4 WATT	20757	FIELD - 2,500 OHMS VOICE COIL - 5.5 OHMS
R-11	20855	150,000 "	-10% 1/4 "	AVERAGE PLATE VOLTAGE MEASURED FROM	
R-12	20158	500 "	-10% 2 "	PLATE TO CHASSIS-	
R-13	20445	20 "	HUM CONTROL	OUTPUT -45	388-VOLTS D.C.
R-14	20779	1,200 "	10% 10 WATT	DRIVER -47	313-VOLTS D.C.
R-15	20264	1,500 "	10% 1/2 "	DRIVER -30	294-VOLTS D.C.
R-16	20145	4,500 "	VOLTAGE DIVIDER	AVERAGE PLATE CURRENT:-	
R-17		775 "	" "	OUTPUT -45	37.0 - MA D.C.
				DRIVER -47	32.0 - MA D.C.
				AVERAGE BIAS VOLTAGE MEASURED FROM	
				CENTER TAP OF FILAMENT TO CHASSIS:-	
C-1	20133	.25 MFD	-10%-20% 200 VOLT	OUTPUT -45	57.5 - VOLTS D.C.
C-2	20865	.0015 "	-10%	DRIVER -47	19.0 - VOLTS D.C.
C-3	20129	10 "	25 VOLT	AVERAGE FILAMENT VOLTAGE:-	
C-4	20789	.02 "	-20%-10% 400 "	RECTIFIER 5Z3	5.0 - VOLTS A.C.
C-5	20131	.05 "	-20%-10% 400 "	OUTPUT -45	2.5 - VOLTS A.C.
C-6	20128	25 "	25 "	DRIVER -45	2.5 - VOLTS A.C.
C-7		8 "	450 "	DRIVER -45	2.0 - VOLTS D.C.
C-8	20778	8 "	450 "	-30	
C-9	20775	.5 "	-25% 400 "		
C-10	20139	30 "	400 "		
C-11	20513	8 "	475 "		

AVERAGE VOLTAGES ACROSS SPEAKER FIELDS AND ELECTROLYTIC CONDENSERS.
 2,500 OHM SPEAKER FIELD VOLTAGE MEASURED FROM #7-CONTACT TO #1-CONTACT
 ON SPEAKER SOCKET 170-VOLTS D.C.
 2,500 OHM AUXILIARY SPEAKER FIELD (PARALLEL WITH 7,000-OHM RESISTOR)
 VOLTAGE MEASURED FROM #3 -CONTACT TO #1-CONTACT ON SPKR. SOCKET. 160-VOLTS.

C-11	ELECTROLYTIC	365-VOLTS D.C.
C-10	ELECTROLYTIC	340-VOLTS D.C.
C-7	ELECTROLYTIC	170-VOLTS D.C.

VOLTAGES AND CURRENTS OF MODEL #651 - AMPLIFIER. ALL MEASUREMENTS MADE
 WITH LINE VOLTAGE 115 - VOLTS. ALL VOLTAGES MEASURED WITH 1,000-OHMS
 PER VOLT VOLTMETER.

ITEM	PART NO.	VALUE	REMARKS
RESISTORS			
R-1	22527	2,500 OHM	-10% 1/4 WATT
R-2	20787	5,000 "	-10% 1/4 "
R-3	22526	20,000 "	-10% 1/4 "
R-4	20704	3,500 "	-10% 1/4 "
R-5	20704	3,500 "	-10% 1/4 "
R-6	22526	20,000 "	-10% 1/4 "
R-7	21939	50,000 "	-10% 1/4 "
R-8	20266	75,000 "	-10% 1/4 "
R-9	22529	2,000 "	-10% 1/4 "
R-10	22530	1,000 "	-10% 1/4 "
R-11	22370	50,000 "	DUAL V.C. REAR SECT.
R-12	22370	50,000 "	DUAL V.C. PANEL SECT.
R-13	22578	220,000 "	-10% 1/4 WATT
R-14	21939	50,000 "	-10% 1/4 "
R-15	22329	500,000 "	-10% 1/2 "
R-16	32354	65 "	- 5% 1/2 "
R-17	22323	2,000 "	- 5% 1 "
R-18	20855	150,000 "	-10% 1/2 "
R-19	22295 (see note)	100 "	VOLTAGE DIVIDER
R-20	20855	150,000 "	-10% 1/2 WATT
R-21	22295 (see note)	400 "	VOLTAGE DIVIDER
R-22	22294	530 "	VOLTAGE DIVIDER
R-23	22321	35,000 "	-10% 1/2 WATT
R-24	22295 (see note)	485 "	VOLTAGE DIVIDER
R-25	22322	25,000 "	-10% 1/2 WATT
R-26	22322	25,000 "	-10% 1/2 "
R-27	22322	25,000 "	-10% 1/2 "
R-28	22296 (see note)	"	"
R-29	20445	9,000 OHM	VOLTAGE DIVIDER
R-30	22296 (see note)	20 "	HUM CONTROL
		1,000 "	VOLTAGE DIVIDER
CONDENSERS			
C-1	22532	.004 MFD	-10%
C-2	22534	.015 "	-10% 200 VOLT
C-3	21738	.3 "	-10% 200 "
C-4	22549	.15 "	-10% 200 "
C-5	22521	.003 "	-10%
C-6	22545	.03 "	-10% 200 VOLT
C-7	22535	.75 "	-10% 20% 200 VOLT
C-8	21990	.25 "	-10%
V-9	22533	.0004 "	-10%
C-10	20612	10. "	25 VOLT
C-11	22309	2. "	500 "
C-12	22310	.022 "	-10% 600 "
C-13	20612	10. "	25 "
C-14	22320	.3 "	20%-10% 400 VOLT
C-15	22320	.3 "	20%-10% 400 "
C-16	22325	6 6 "	(see note) 500 "
C-17	22325	4 4 "	" " 600 "
C-18	21720	25 "	450 "
C-19	21546	16 "	150 "

ITEM	PART NO.	VALUE	REMARKS
CHOKES			
L-1	21693	560 M.H.	AIR CORE
L-2	22519	100 HENRIES	tone control
L-3	22520	100 "	tone control
L-4	22312	8 "	POWER FILTER
TRANSFORMERS			
T-1	22311		POWER
T-2	22315		INPUT
T-3	22314		DRIVER
T-4	22313		OUTPUT

VOLTAGES AND CURRENTS OF MODEL - 680 - AMPLIFIER. ALL VOLTAGES MEASURED WITH 1000 - OHMS PER VOLT VOLTMETER. ALL MEASUREMENTS MADE WITH LINE VOLTAGE 115-VOLTS, 60-CYCLE AT THE AMPLIFIER.

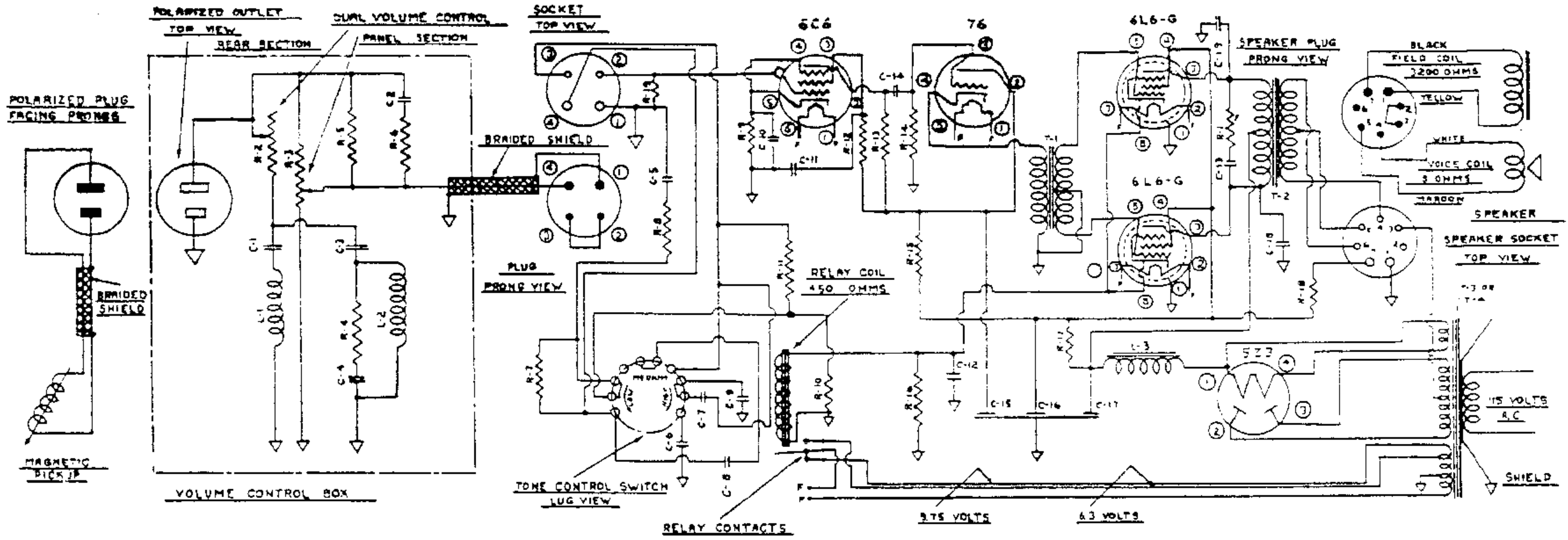
PLATE VOLTAGE MEASURED FROM PLATE TO FILAMENT-			
OUTPUT	2A3	360 VOLTS	D.C.
OUTPUT	2A3	360 VOLTS	D.C.
	-45	275 VOLTS	D.C.
	-45	275 VOLTS	D.C.
	-30	157 VOLTS	D.C.
	-30	57 VOLTS	D.C.

PLATE CURRENTS:-			
OUTPUT	2A3	37.0 M.A.	D.C.
OUTPUT	2A3	37.0 M.A.	D.C.
	-45	32.0 M.A.	D.C.
	-45	32.0 M.A.	D.C.
	-30	2.5 M.A.	D.C.
	-30	1.2 M.A.	D.C.

GRID VOLTAGE MEASURED FROM GRID - TO FILAMENT			
OUTPUT	2A3	74 VOLTS	D.C.
	2A3	74 VOLTS	D.C.
	-45	62 VOLTS	D.C.
	-45	62 VOLTS	D.C.

FILAMENT VOLTAGE MEASURED ACROSS FILAMENT.			
OUTPUT	2A3	2.5 VOLTS	A.C.
OUTPUT	2A3	2.5 VOLTS	A.C.
	-45	2.5 VOLTS	A.C.
	-45	2.5 VOLTS	A.C.
	-30	2.0 VOLTS	A.C.
	-30	2.0 VOLTS	A.C.

525-OHM SPEAKER FIELD VOLTAGE MEASURED FROM #1-CONTACT TO #6-CONTACT ON SPEAKER SOCKET. - 72.5 VOLTS D.C.
 2400-OHM SPEAKER FIELD VOLTAGE MEASURED FROM #1-CONTACT TO #2-CONTACT ON SPEAKER SOCKET - 260 VOLTS D.C.



ITEM	PART NO.	VALUE	REMARKS	ITEM	PART NO.	VALUE	REMARKS	ITEM	PART NO.	VALUE	REMARKS	ITEM	PART NO.	VALUE	REMARKS
RESISTORS															
R-1	28149	18000 OHMS	± 10% 1 WATT	R-16	28144	390 OHMS	± 5% 1/2 WATT	C-1	25427	.002 MFD.	± 5% MICA	C-16	28138	20. MFD	450 VOLTS
R-2	26378	7500 OHMS ± 15%	DUAL VOLUME CONTROL	R-17	28133	950 OHMS BLEEDER	± 5% 20 WATT	C-2	22531	.003 MFD.	± 10% MICA	C-17		3. MFD	500 VOLTS
R-3		150,000 OHMS	± 15%	R-18		1500 OHMS BLEEDER	± 5% 25 WATT	C-3	28123	.3 MFD.	± 10% 120 VOLTS	C-18	28924	.00035 MFD	± 10% 600 VOLTS
R-4	22783	7000 OHMS	± 10% 1/4 WATT	R-19	21841	2000000 OHMS	± 10% 1/4 WATT	C-4	25427	.002 MFD.	± 5% MICA	C-19	28924	.00035 MFD	± 10% 600 VOLTS
R-5	23084	25000 OHMS	± 10% 1/4 WATT					C-5	22531	.003 MFD.	± 10% MICA				CHOKES
R-6	21998	35000 OHMS	± 10% 1/4 WATT					C-6	23052	.005 MFD.	± 10% 200 VOLTS	L-1	25598	290-MILLIHENRIES	CHOKER COIL
R-7	28151	10,000 OHMS	± 5% 1/4 WATT					C-7	23052	.005 MFD.	± 10% 200 VOLTS	L-2	28526	400-MILLIHENRIES	CHOKER COIL
R-8	28152	75,000 OHMS	± 5% 1/4 WATT					C-8	28145	.006 MFD.	± 10% 600 VOLTS	L-3	28137	4.1 HENRIES ± 15%	FILTER CHOKER
R-9	28150	600 OHMS	± 5% 1/4 WATT					C-9	28143	.01 MFD.	± 10% 200 VOLTS				
R-10	25575	200,000 OHMS	± 10% 1/4 WATT					C-10	28141	.25 MFD.	± 10% 25 VOLTS				TRANSFORMERS
R-11	28153	15,000 OHMS	± 5% 1/4 WATT					C-11	28211	.25 MFD.	± 10% 400 VOLTS	T-1	28134		AUDIO INPUT
R-12	25575	200,000 OHMS	± 10% 1/4 WATT					C-12	28139	.16 MFD.	50 VOLTS	T-2	28135		AUDIO OUTPUT
R-13	23208	60,000 OHMS	± 10% 1/2 WATT					C-13	28145	.006 MFD.	± 10% 600 VOLTS	T-3	28134	60 CYCLE	POWER
R-14	25432	300,000 OHMS	± 10% 1/4 WATT					C-14	28142	.03 MFD.	± 10% 400 VOLTS	T-4	28470	25 CYCLE	POWER
R-15	28147	10,000 OHMS	± 10% 1 WATT					C-15	28138	.4 MFD.	350 VOLTS				

VOLTAGES AND CURRENTS OF MODEL #851 AMPLIFIER. ALL MEASUREMENTS MADE WITH LINE VOLTAGE 115 VOLTS.

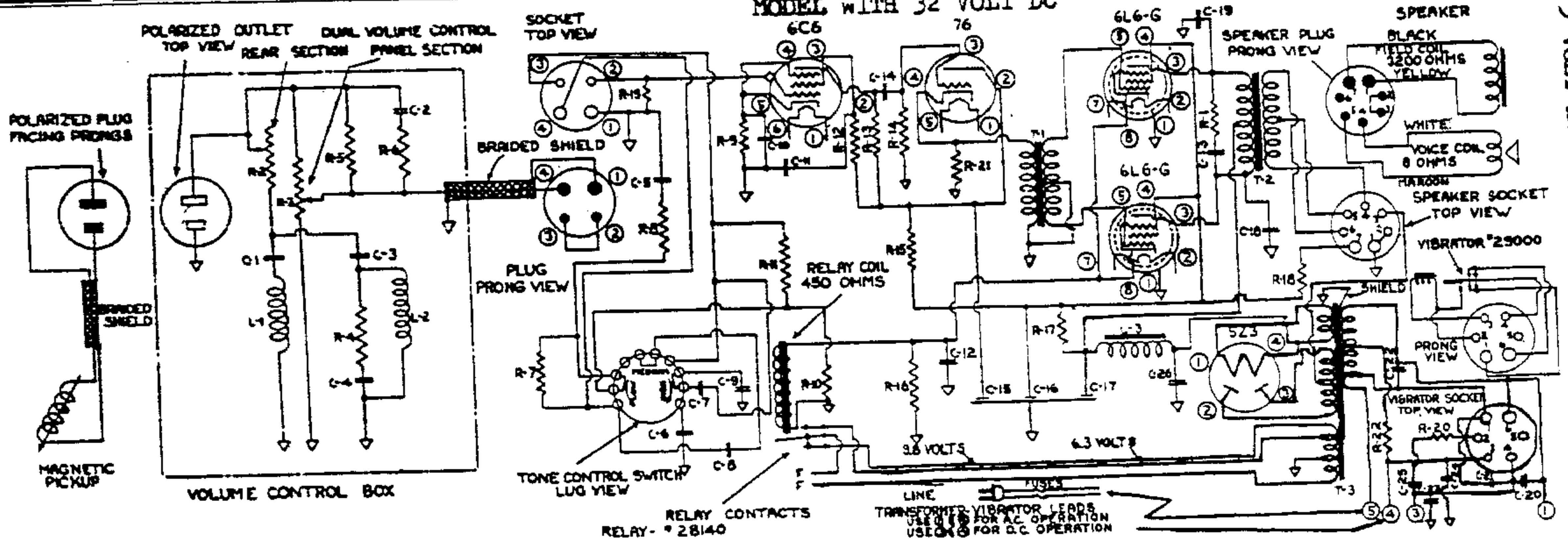
ALL VOLTAGES MEASURED WITH 1000 OHMS PER VOLT VOLTMETER.

AVERAGE PLATE VOLTAGE MEASURED FROM PLATE TO CHASSIS		AVERAGE PLATE CURRENT		AVERAGE D.C. VOLTAGES		AVERAGE HEATER VOLTAGE	
6L6-G	400 VOLTS	6L6-G	51 MA. D.C.	ACROSS 5Z3 FILAMENT & GROUND	420 VOLTS D.C.	6L6-G	6.3 VOLTS A.C.
76	220 VOLTS	76	6.5 MA. D.C.	ACROSS C-17	405 VOLTS D.C.	76	6.3 VOLTS A.C.
6C6	66 VOLTS	6C6	2.5 MA. D.C.	ACROSS C-16	325 VOLTS D.C.	6C6	6.3 VOLTS A.C.
				ACROSS C-12	24 VOLTS D.C.	THESE FILAMENT VOLTAGES ARE 9.8 VOLTS FOR ACCELERATED CATHODE HEATING WHEN FILAMENTS ARE COOL	
				ACROSS C-10	1.7 VOLTS D.C.		

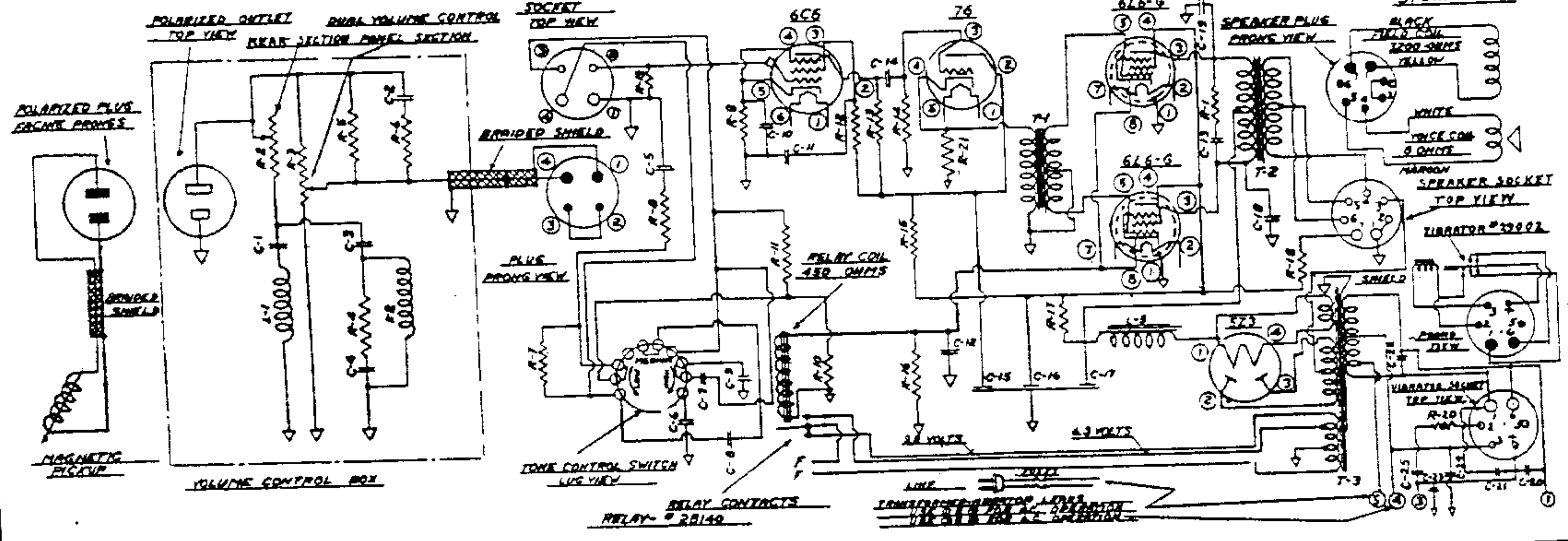
SPEAKER FIELD - 3200 OHMS. BETWEEN TERMINALS 1+7 ON SPEAKER SOCKET - 220 VOLTS D.C.

MODELS 24, 24A,
115 VOLT AC, 32VOLT DC
MODELS 24, 24A,
5 VOLT AC-DC

MODEL WITH 32 VOLT DC



MODEL WITH 115 VOLT DC



ITEM	PART NO.	VALUE	REMARKS
RESISTORS			
R-1	28148	18,000 OHMS	-10% 1 WATT
R-2	26378	7,500	-15% DUAL VOLUME CONTROL
R-3	22783	150,000	-15%
R-4	22783	7,000	-10% 1/4 WATT
R-5	23084	25,000	-10% 1/4
R-6	21998	35,000	-10% 1/4
R-7	28151	10,000	-5% 1/4
R-8	28152	75,000	-5% 1/4
R-9	28150	600	-5% 1/4
R-10	25575	200,000	-10% 1/4
R-11	28153	15,000	-5% 1/4
R-12	25575	200,000	-10% 1/4
R-13	23208	60,000	-10% 1/2
R-14	25432	500,000	-10% 1/4
R-15	28147	10,000	-10% 1
R-16	28146	390	-5% 3
R-17	28133	950	-5% 20
R-18	BLEEDER	1,500	-5% 25
R-19	21841	2,000,000	-10% 1/4
R-20	22530	1,000	-10% 1/4
R-21	28153	15,000	-5% 1/4
R-22	30856	1	-5% 36

AVERAGE PLATE CURRENT			
6L6-6	PLATE CURRENT	51 M.A.	D.C.
76	PLATE CURRENT	6.5 M.A.	D.C.
6C6	PLATE CURRENT	2.5 M.A.	D.C.

AVERAGE D.C. VOLTAGES			
ACROSS	5Z3 FILAMENT & GROUND	420 VOLTS	D.C.
ACROSS	C-17	405 VOLTS	D.C.
ACROSS	C-16	325 VOLTS	D.C.
ACROSS	C-12	24 VOLTS	D.C.
ACROSS	C-10	1.7 VOLTS	D.C.

AVERAGE FILAMENT VOLTAGES		
6L6-6	FILAMENT VOLTAGE	6.3 VOLTS A.C.
76	FILAMENT VOLTAGE	6.3 VOLTS A.C.
6C6	FILAMENT VOLTAGE	6.3 VOLTS A.C.

THESE FILAMENT VOLTAGES ARE 9.8 VOLTS FOR ACCELERATED CATHODE HEATING WHEN FILAMENTS ARE COOL.

SPEAKER FIELD - 3200 OHMS BETWEEN TERMINALS #1 & #7 ON SPEAKER SOCKET - 220 VOLTS D.C.

CONDENSERS			
C-1	25427	.002 MFD	-5% MICA
C-2	22531	.003	-10% "
C-3	28123	.3	-10% 120 VOLTS
C-4	25427	.002	-5% MICA
C-5	22531	.003	-10% "
C-6	23052	.005	-10% 200 VOLTS
C-7	23052	.005	-10% "
C-8	28145	.006	-10% 600
C-9	28143	.01	-10% 200
C-10	28141	25.	-10% 25
C-11	28211	.25	-10% 400
C-12	28139	16.	-10% 50
C-13	28145	.006	-10% 600
C-14	28142	.03	-10% 400
C-15		4	-10% 350
C-16	28138	20	-10% 450
C-17		8	-10% 500
C-18	28924	.00035	-10% 600
C-19	28924	.00035	-10% 600
C-20	24364	.5	-10% 200
C-21	24364	.5	-10% 200
C-22	29143	20	-10% 200
C-23	29017	.01	100 VOLTS AC
C-24	29016	.25	-10% 200 VOLTS
C-25	24329	.1	-10% 200
C-26	30858	4.	-10% 200
C-27			20%-10% 600 VOLTS

CHOKES			
L-1	25598	290 M.H.	CHOKER COIL
L-2	28526	400 " "	" "
L-3	28137	4.1 HENRIES	FILTER CHOKE

TRANSFORMERS			
T-1	28136		AUDIO INPUT
T-2	28135		AUDIO OUTPUT
T-3	29140	60 CYCLE	POWER

VOLTAGES AND CURRENTS OF MODEL #853 AMPLIFIER.
 ALL MEASUREMENTS MADE WITH
 LINE VOLTAGE 32 VOLTS D.C. OR 115 VOLTS 60 CYCLE A.C.
 ALL VOLTAGES MEASURED WITH 1000 OHMS PER VOLT VOLTMETER.

AVERAGE PLATE VOLTAGE MEASURED FROM PLATE TO CHASSIS		
6L6-6	PLATE TO CHASSIS	400 VOLTS D.C.
76	PLATE TO CHASSIS	220 VOLTS D.C.
6C6	PLATE TO CHASSIS	65 VOLTS D.C.

ITEM	PART NO.	VALUE	REMARK
RESISTORS			
R-1	28145	18,000 OHMS	-10% 1 WATT
R-2	26378	7,500 "	-15% DUAL VOLUME CONTROL
R-3	22783	150,000 "	-15%
R-4	23084	7,000 "	-10% 1/4 WATT
R-5	21998	25,000 "	-10% 1/4 "
R-6	28151	35,000 "	-10% 1/4 "
R-7	28152	10,000 "	-5% 1/4 "
R-8	28150	75,000 "	-5% 1/4 "
R-9	25575	600 "	-5% 1/4 "
R-10	28153	200,000 "	-10% 1/4 "
R-11	25575	15,000 "	-5% 1/4 "
R-12	23208	200,000 "	-10% 1/4 "
R-13	25432	60,000 "	-10% 1/2 "
R-14	28147	500,000 "	-10% 1/4 "
R-15	28146	10,000 "	-10% 1 "
R-16	28133	390 "	-5% 3 "
R-17	21841	950 " BLEEDER	" 20 "
R-18	22530	1,500 "	" 25 "
R-19	28153	2,000,000 "	-10% 1/4 "
R-20		1,000 "	-10% 1/4 "
R-21		15,000 "	-5% 1/4 "

ITEM	PART NO.	VALUE	REMARK
CONDENSERS			
C-1	25427	.002 MFD	-5% MICA
C-2	22531	.003 "	-10% "
C-3	28124	.3 "	-10% 120 VOLTS
C-4	25427	.002 "	-5% MICA
C-5	22531	.003 "	-10% "
C-6	23052	.005 "	-10% 200 VOLTS
C-7	23052	.005 "	-10% "
C-8	28145	.006 "	-10% 600 "
C-9	28143	.01 "	-10% 200 "
C-10	28141	25. "	25 "
C-11	28211	.25 "	-10% 400 "
C-12	28139	16. "	50 "
C-13	28145	.006 "	-10% 600 "
C-14	28148	.03 "	-10% 400 "
C-15		4. "	350 "
C-16	28138	20. "	450 "
C-17		8. "	500 "
C-18	28924	.00035 MFD	-10% 600 "
C-19	28924	.00035 "	-10% "
C-20	24364	.5 "	-10% 200 "
C-21	24364	.5 "	-10% "
C-22	29007	2. "	220 "
C-23	29017	.01 "	-10% 200 "
C-24	29016	.25 "	-10% "
C-25	24329	.1 "	-10% "

CHOKES			
L-1	25598	290	M.H. CHOKE COIL
L-2	28526	400	" " " "
L-3	28137	41	HENRIES FILTER CHOKE

TRANSFORMERS			
T-1	28136		AUDIO INPUT
T-2	28135		AUDIO OUTPUT
T-3	29006	60	CYCLE POWER

VOLTAGES AND CURRENTS OF MODEL 852 AMPLIFIER. ALL MEASUREMENTS MADE WITH LINE VOLTAGE 115 VOLTS D.C. OR 40 CYCLE A.C. ALL VOLTAGES MEASURED WITH 1000 OHMS PER VOLT VOLTMETER

AVERAGE PLATE VOLTAGE MEASURED FROM PLATE TO CHASSIS

6L6-6	PLATE TO CHASSIS	400 VOLTS	D.C.
76	" " "	220 "	" "
6C6	" " "	65 "	" "

AVERAGE PLATE CURRENT

6L6-G	PLATE CURRENT	51 M.A.	D.C.
76	" " "	6.5 "	" "
6C6	" " "	2.5 "	" "

AVERAGE D.C. VOLTAGES ACROSS 5Z3 - FILAMENT & GROUND

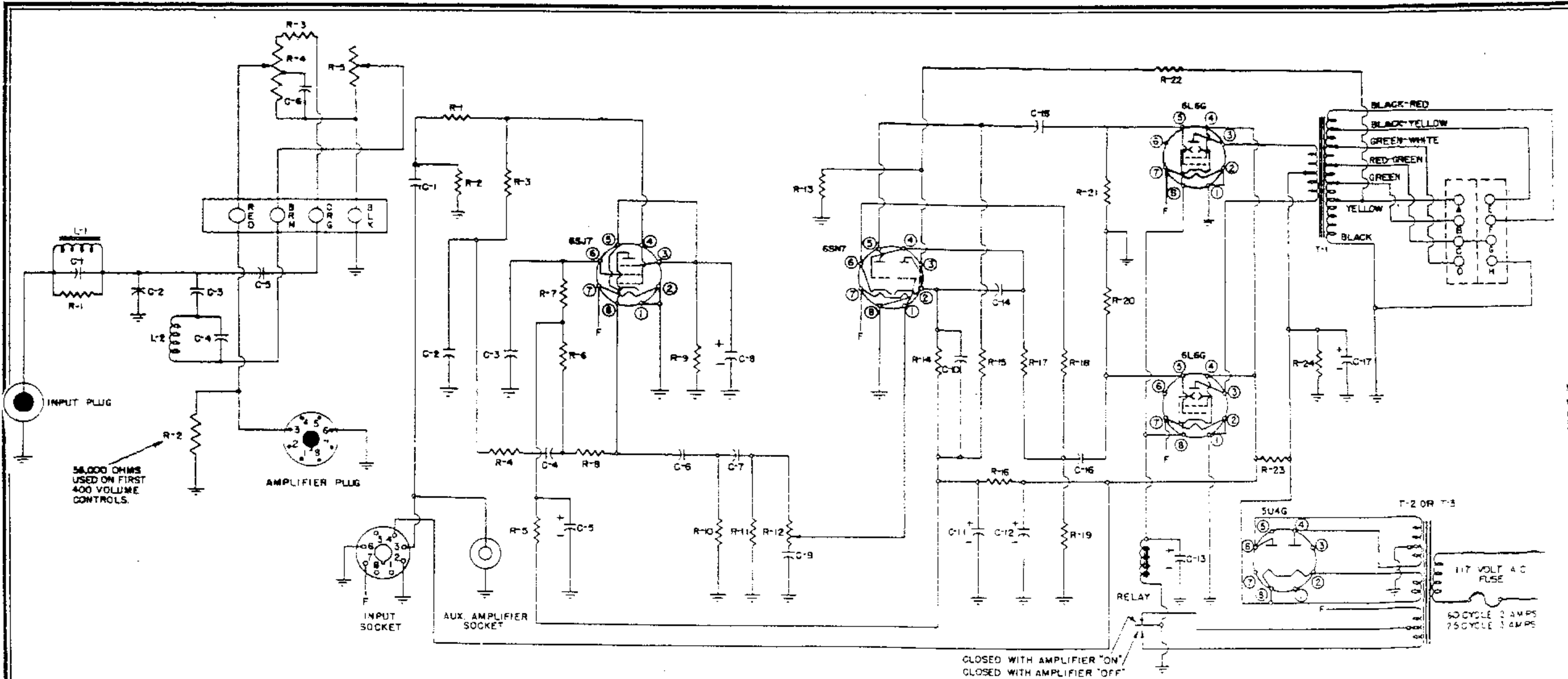
ACROSS C-17	420 VOLTS	D.C.
ACROSS C-16	405 "	" "
ACROSS C-12	325 "	" "
ACROSS C-10	24 "	" "
	1.7 "	" "

AVERAGE FILAMENT VOLTAGES

6L6-G	FILAMENT VOLTAGE	6.3 VOLTS	A.C.
76	" " "	6.3 "	" "
6C6	" " "	6.3 "	" "

THESE FILAMENT VOLTAGES ARE 28 VOLTS FOR ACCELERATED CATHODE HEATING, WHEN FILAMENTS ARE COOL.

A.C. SPEAKER FIELD - 3200 OHMS BETWEEN TERMINALS 1 & 7 ON SPEAKER SOCKET - 220 VOLTS D.C.



MODEL 227-228 AUXILIARY AMPLIFIERS

MODEL 29 VOLUME CONTROL

ITEM	PART NO.	VALUE	REMARKS
RESISTORS			
R-1	72072-12	10 000 OHMS	±10% 1/3 WATT
R-2	72082-12	27 000 OHMS	±10% 1/3 WATT
R-3	72090-12	22 000 OHMS	±10% 1/3 WATT
R-4	50386	50 000 OHMS	VOLUME CONTROL
R-5	50386	2 300 OHMS	VOLUME CONTROL
CAPACITORS			
C-1	73009-26	.004 MFD	±10% 600 W.V.
C-2	73010-26	.005 MFD	±10% 600 W.V.
C-3	73099-220	.5 MFD	±10% 200 W.V.
C-4	73014-22	.01 MFD	±10% 200 W.V.
C-5	73033-22	.01 MFD	±10% 200 W.V.
C-6	73014-22	.01 MFD	±10% 200 W.V.
CHOKES			
L-1	50395	7.0 HENRIES	
L-2	50538	.15 HENRIES	

ITEM	PART NO.	VALUE	REMARKS	ITEM	PART NO.	VALUE	REMARKS	ITEM	PART NO.	VALUE	REMARKS
RESISTORS											
R-1	72240-31	100 000 OHMS	±5% 1/2 WATT	R-17	72114-12	560 000 OHMS	±10% 1/3 WATT	C-9	73003-26	.00075 MFD	±10% 600 W.V.
R-2	72114-12	560 000 OHMS	±10% 1/3 WATT	R-18	72050-12	200 OHMS	±10% 1/3 WATT	C-10	73002-46	.0005 MFD	±20% 600 W.V.
R-3	72280-31	680 000 OHMS	±5% 1/2 WATT	R-19	72080-12	22 000 OHMS	±10% 1/3 WATT	C-11		.30 MFD	±100%-10% 400 W.V.
R-4	72260-31	680 000 OHMS	±5% 1/2 WATT	R-20	72096-12	100 000 OHMS	±10% 1/3 WATT	C-12	49910	.40 MFD	±100%-10% 25 W.V.
R-5	72072-12	10 000 OHMS	±10% 1/3 WATT	R-21	72096-12	100 000 OHMS	±10% 1/3 WATT	C-13		.20 MFD	±100%-10% 25 W.V.
R-6	72240-31	100 000 OHMS	±5% 1/2 WATT	R-22	72240-31	100 000 OHMS	±5% 1/2 WATT	C-14	73014-64	.01 MFD	±30%-10% 400 W.V.
R-7	72120-12	1 000 000 OHMS	±10% 1/3 WATT	R-23	72312-12	100 OHMS	±10% 1 WATT	C-15	73033-640	.1 MFD	±30%-10% 400 W.V.
R-8	72244-31	150 000 OHMS	±5% 1/2 WATT	R-24	72907-2	15 000 OHMS	±10% 20 WATT	C-16	73033-640	.1 MFD	±30%-10% 400 W.V.
R-9	72048-12	1 000 OHMS	±10% 1/3 WATT	CAPACITORS				C-17	40150	.50 MFD	±50%-10% 400 W.V.
R-10	72108-12	270 000 OHMS	±10% 1/3 WATT	C-1	73033-62		MFD	TRANSFORMERS			
R-11	72114-12	560 000 OHMS	±10% 1/3 WATT	C-2	73004-26	.001 MFD	±10% 600 W.V.	T-1	47007		OUTPUT
R-12	40227	250 000 OHMS	±10% 1/3 WATT	C-3	73099-640	.5 MFD	±30%-10% 400 W.V.	T-2	47023	50-60	CYCLE POWER
R-13	72204-31	3 300 OHMS	±5% 1/2 WATT	C-4	73014-64	.01 MFD	±30%-10% 400 W.V.	T-3	51219	25	CYCLE POWER
R-14	72100-12	150 000 OHMS	±10% 1/3 WATT	C-5	73289-480	.8 MFD	±50%-10% 400 W.V.		51928	130	OHMS S.P.D.
R-15	72080-12	22 000 OHMS	±10% 1/3 WATT	C-6	73020-64	.05 MFD	±30%-10% 400 W.V.	RELAY	40144		130 OHMS S.P.D. OPTIONAL
R-16	72066-12	560 OHMS	±10% 1/3 WATT	C-7	73014-64	.01 MFD	±30%-10% 400 W.V.				
				C-8	73293-210	.20 MFD	±150%-10% 25 W.V.				

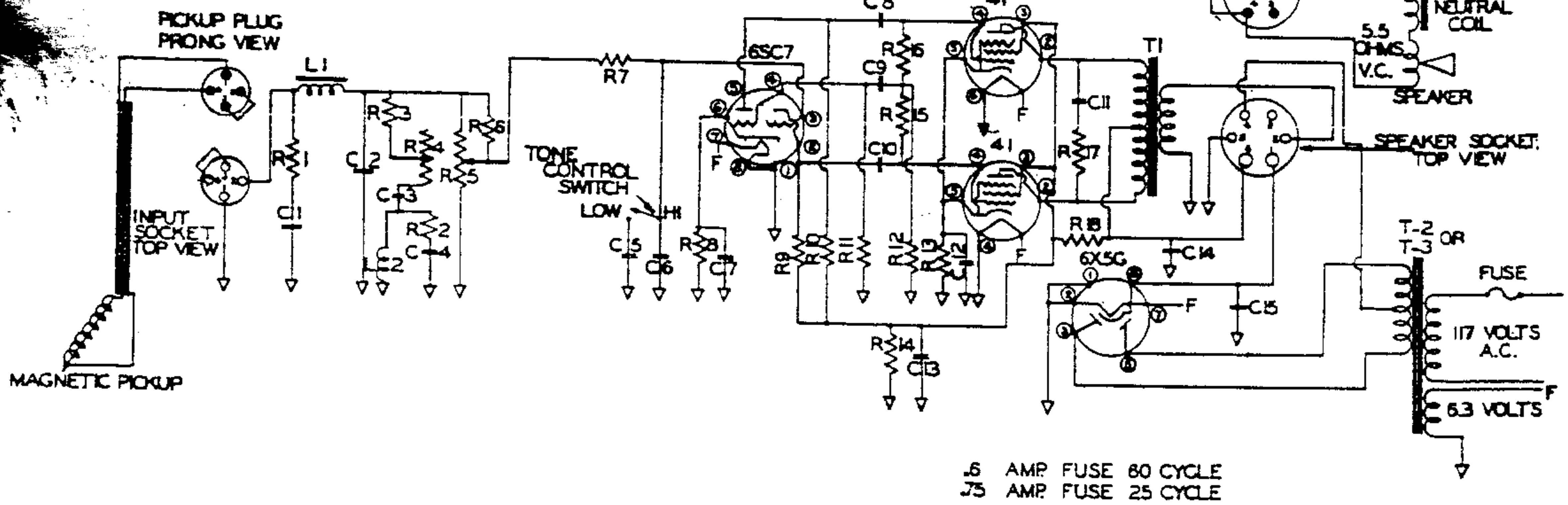
VOLTAGES & CURRENTS OF MODELS 227 & 228 AMPLIFIERS. ALL VOLTAGES MEASURED WITH 1000 OHMS PER VOLT VOLTMETER. ALL MEASUREMENT MADE WITH LINE AT 117 VOLTS 25 OR 60 CYCLE. VOLTAGE OVER 50 USE 500 VOLT SCALE.

AVERAGE PLATE & SCREEN VOLTAGE MEASURED TO CHASSIS				AVERAGE VOLTAGE ACROSS CONDENSER			
6L6G	PLATE	300 VOLTS	DC	C-11	270 VOLTS	DC	
6L6G	SCREEN	305 VOLTS	DC	C-5	255 VOLTS	DC	
6SN7	PLATE (PIN #5)	190 VOLTS	DC	FILAMENT VOLTAGE			
6SN7	PLATE (PIN #2)	80 VOLTS	DC	6L6G	6.3 VOLTS	AC	
6S7	PLATE	80 VOLTS	DC	6SN7	6.3 VOLTS	AC	
6S7	SCREEN	20 VOLTS	DC	6S7	6.3 VOLTS	AC	
AVERAGE PLATE & SCREEN CURRENT				FILAMENT VOLTAGES ARE 9.9 FOR ACCELERATED CATHODE HEATING WHEN FILAMENTS ARE COOL			
6L6G	PLATE	680 MA	DC	C-17	305 VOLTS	DC	
				C-13	20 VOLTS	DC	
				C-12	305 VOLTS	DC	

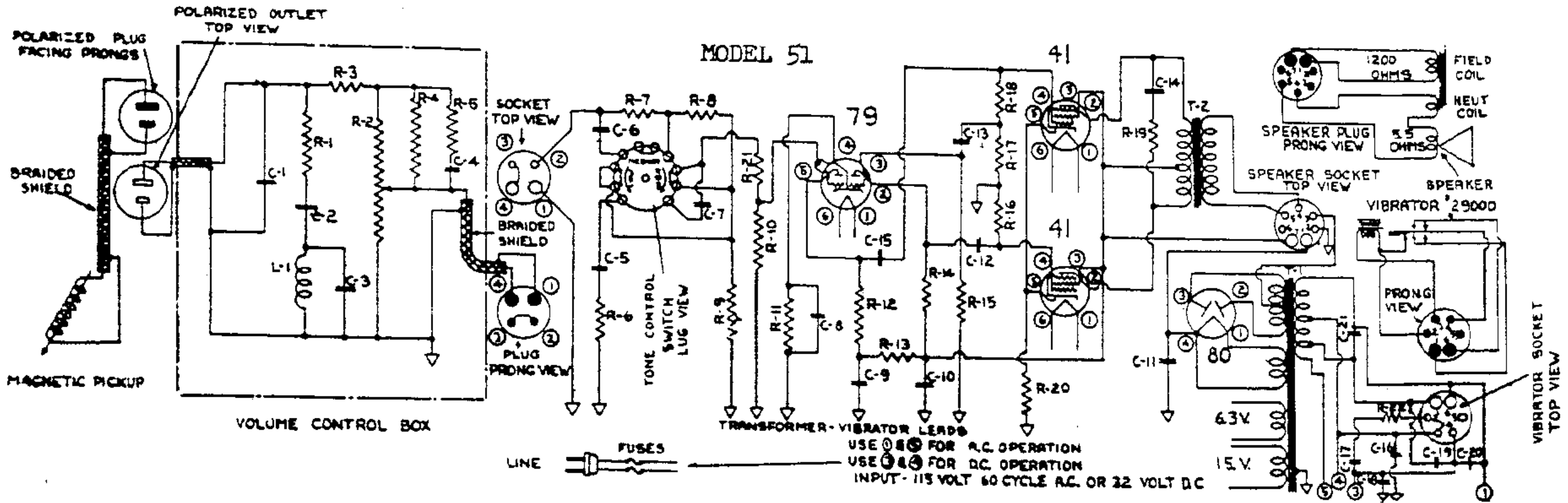
MODEL 41
MODEL 51

THE RUDOLPH WURLITZER CO.

MODEL 41



MODEL 51



ITEM	PART NO.	VALUE	REMARKS	CHOKES
RESISTORS				
R-1	22530	1,000 OHMS	-10% 1/3 WATT	L-1 35933 290 M.H. COIL
R-2	22530	1,000 "	-10% 1/3 "	L-2 35917 400 " " COIL
R-3	35945	100 "	-10% 1/3 "	
R-4	35931	1,000 "	DUAL VOLUME CONTROL	TRANSFORMERS
R-5	150,000	"		T-1 35919 AUDIO OUTPUT
R-6	35946	27,000 "	-10% 1/3 WATT	T-2 35915 50-60 CYCLE POWER
R-7	35925	82,000 "	-10% 1/3 "	T-3 37264 25 CYCLE POWER
R-8	35926	2,700 "	-10% 1/3 "	
R-9	22528	220,000 "	-10% 1/3 "	VOLTAGES AND CURRENST OF MODEL 041 AMPLIFIER
R-10	22528	220,000 "	-10% 1/3 "	ALL MEASUREMENTS MADE WITH LINE VOLTAGE 117 VOLTS
R-11	35924	560,000 "	-10% 1/3 "	60 OR 25 CYCLES A.C.
R-12	20855	150,000 "	-10% 1/3 "	ALL VOLTAGES MEASURED WITH 1000 OHMS PER VOLT
R-13	35928	390 "	-10% 1 "	VOLTMETER
R-14	35922	82,000 "	-10% 1 "	(ALL VOLTAGES OVER 50 VOLTS USE 500 VOLT SCALE)
R-15	35923	330,000 "	-10% 1/3 "	
R-16	35923	330,000 "	-10% 1/3 "	
R-17	35929	15,000 "	-10% 1/2 "	AVERAGE PLATE AND SCREEN VOLTAGE
R-18	35921	4,700 "	-10% 1 "	MEASURED TO CHASSIS
CONDENSERS				
C-1	35940	.003 MFD	-10% 100 W.V.	6SC7 PLATE 149 VOLTS D.C.
C-2	35943	.005 "	-20% 100 " "	41 PLATE 321 VOLT D.C. SCR'N 258 VOLT D.C.
C-3	35941	.5 "	-10% 100 " " "	AVERAGE PLATE CURRENT
C-4	35942	.008 "	-10% 100 " " "	6SC7 .4 MILLS. D.C.
C-5	35927	.001 "	-10% 200 " " "	41 23. MILLS. D.C.
C-6	35930	.0006 "	-10% 200 " " "	AVERAGE BIAS VOLTAGE MEASURED
C-7	36432	20 "	25 " " "	FROM CATHODE TO CHASSIS
C-8	22850	.01 "	-10% 400 " " "	6SC7 2.25 VOLTS D.C.
C-9	22850	.01 "	-10% 400 " " "	41 20.5 VOLTS D.C.
C-10	22850	.01 "	-10% 400 " " "	
C-11	35989	.006 "	-10% 1200 " " "	AVERAGE FILAMENT VOLTAGE
C-12	35920	20 "	25 " " "	6SC7 6.3 VOLTS A.C.
C-13		10 "	350 " " "	41 6.3 VOLTS A.C.
C-14	35920	10 "	350 " " "	6X5G 6.3 VOLTS A.C.
C-15		10 "	450 " " "	

AVERAGE VOLTAGE ACROSS C ONDENSER C13 267 VOLTS D.C.
 CONDENSER C14 323 VOLTS D.C. - CONDENSER C15 370 VOLTS D.C.

SPEAKER F IELD 820-OHMS. BETWEEN T ERMINALS 1 & 6 ON
 SPEAKER SOCKET 48 VOLTS D.C.

ITEM	PART NO.	VALUE	REMARKS
RESISTORS			
R-1	25418	1,500 OHMS	-10% 1/4 WATT
R-2	25679	100,000 "	VOLUME CONTROL
R-3	22588	3,000 "	-10% 1/4 WATT
R-4	21936	100,000 "	-10% 1/4 "
R-5	25575	200,000 "	-10% 1/4 "
R-6	21200	10,000 "	-10% 1/4 "
R-7	20266	75,000 "	-10% 1/4 "
R-8	21200	10,000 "	-10% 1/4 "
R-9	21938	100,000 "	-10% 1/4 "
R-10	25911	250,000 "	-10% 1/4 1/2 "
R-11	22588	3,000 "	-10% 1/4 "
R-12	25575	200,000 "	-10% 1/4 "
R-13	20266	75,000 "	-10% 1/4 "
R-14	20728	250,000 "	-20% 1/4 "
R-15	20728	250,000 "	-20% 1/4 "
R-16	25432	500,000 "	-10% 1/4 "
R-17	21200	10,000 "	-10% 1/4 "
R-18	25432	500,000 "	-10% 1/4 "
R-19	25574	15,000 "	-10% 1 "
R-20	25573	250 "	- 5% 10 "
R-21	25910	50,000 "	- 5% 1/4 "
R-22	22530	1,000 "	-10% 1/4 "
CONDENSERS			
C-1	25680	.008 MFD	-10% 200 W.V.
C-2	20665	.25 "	-10% 200 " "
C-3	22531	.003 "	-10% MICA
C-4	25680	.008 "	-10% 200 W.V.
C-5	22589	.0025 "	-10% MICA
C-6	22532	.004 "	-10% "
C-7	22589	.0025 "	-10% "
C-8	23010	10. " 1/2	25 W.V.
C-9	22320	.3 " 1/2	20%-10% 400 W.V.
C-10	25570	25. "	450 W.V.
C-11	21993	8. "	500 " "
C-12	21993	.05 "	-10% 400 " "
C-13	21993	.05 "	-10% 400 " "
C-14	22531	.003 "	-10% MICA
C-15	21993	.05 "	-10% 400 W.V.
C-16	29016	.25 "	-10% 200 " "

C-17	24329	.1	"	-10%	200	"	"
C-18	29017	.01	"	-10%	200	"	"
C-19	24364	.5	"	-10%	200	"	"
C-20	24364	.5	"	-10%	200	"	"
C-21	29164	10.	"		65	"	" AC

CHOKES			
L-1	25598	290 M.H.	CHOKE COIL
TRANSFORMERS			
T-1	29136	60 CYCLE	POWER
T-2	25571		AUDIO OUTPUT

ALL VOLTAGES MEASURED WITH 1000 OHMS PER VOLT VOLTMETER

AVERAGE PLATE VOLTAGE MEASURED FROM PLATE TO CHASSIS			
	79	115	VOLTS D.C.
	41	270	VOLTS D.C.
AVERAGE PLATE CURRENT			
	79	.35	MILLS D.C.
	41	30.	MILLS D.C.

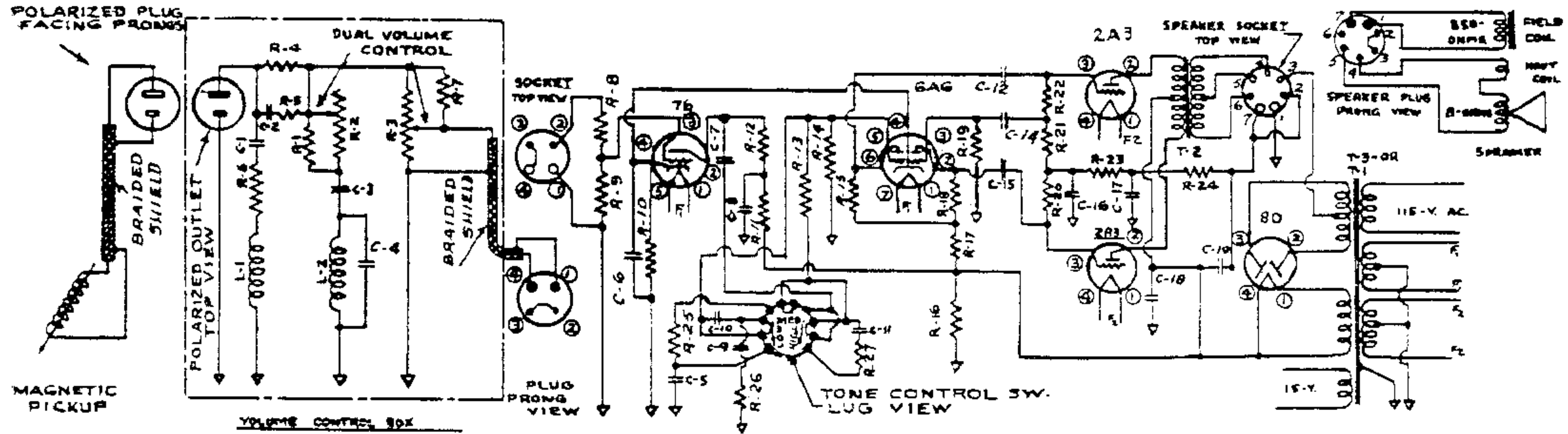
AVERAGE BIAS VOLTAGE MEASURED FROM CATHODE TO GROUND			
	79	APPROX. 15-2	VOLTS
	41	18	VOLTS

AVERAGE FILAMENT VOLTAGE			
	79	6.3	VOLTS A.C.
	41	6.3	VOLTS A.C.
	80	5.0	VOLTS A.C.

VOLTAGE ACROSS CONDENSER C-10 - 275 VOLTS D.C.
 VOLTAGE ACROSS CONDENSER C-11 - 360 VOLTS D.C.

SPEAKER FIELD - 1200 OHMS BETWEEN TERMINALS #1 & #7 ON SPEAKER SOCKET 90 VOLTS D.C.

VOLTAGES AND CURRENTS OF MODEL #743 AMPLIFIER ALL MEASUREMENTS MADE WITH LINE VOLTAGE 115 VOLTS 60 CYCLE A.C. OR 32 VOLTS D.C.

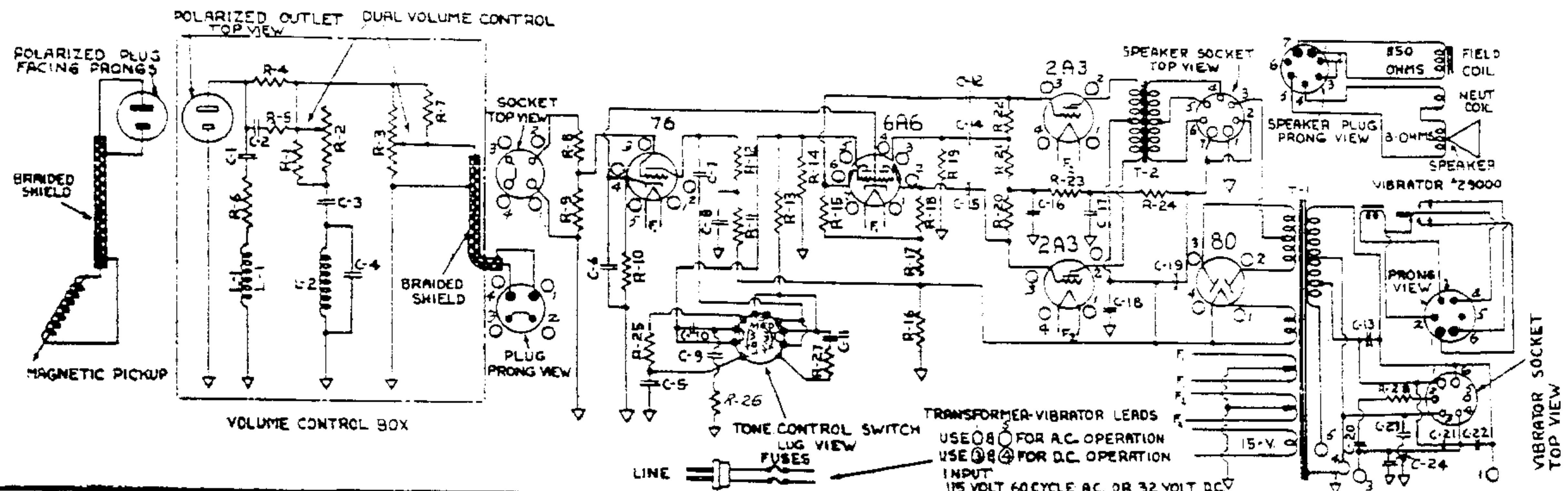


ITEM	PART NO.	VALUE	REMARKS	ITEM	PART NO.	VALUE	REMARKS	ITEM	PART NO.	VALUE	REMARKS	ITEM	PART NO.	VALUE	REMARKS
RESISTORS				CONDENSERS											
R-1	20787	5,000-OHMS	±10% ¼ WATT	R-16	25587	25,000-OHMS	±5% 20-WATT	C-1	25427	.002-MFD	±5% MICA	C-16	20665	25-MFD	±10% 200-WV
R-2	22765	12,000-OHMS	DUAL VOLUME CONTROL	R-17	20266	75,000-OHMS	±10% ¼ WATT	C-2	25430	.02-MFD	±10% 200-WV	C-17		12-MFD	150-WV
R-3	22765	150,000-OHMS		R-18	20728	250,000-OHMS	±20% ¼ WATT	C-3	23221	.18-MFD	±10% 200-WV	C-18	25415	25-MFD	450-VV
R-4	21200	10,000-OHMS	±10% ¼ WATT	R-19	20728	250,000-OHMS	±20% ¼ WATT	C-4	22531	.003-MFD	±10% MICA	C-19		8-MFD	500-WV
R-5	20787	5,000-OHMS	±10% ¼ WATT	R-20	20750	500,000-OHMS	±20% ¼ WATT	C-5	22753	.005-MFD	±10% 400-WV				
R-6	25418	1,500-OHMS	±10% ¼ WATT	R-21	23084	25,000-OHMS	±10% ¼ WATT	C-6	23010	10-MFD	25-WV				
R-7	20267	15,000-OHMS	±10% ¼ WATT	R-22	20750	500,000-OHMS	±20% ¼ WATT	C-7	21993	.05-MFD	±10% 400-WV				
R-8	28626	25,000-OHMS	±5% ¼ WATT	R-23	20855	150,000-OHMS	±10% ¼ WATT	C-8	24321	2-MFD	450-WV				
R-9	28152	75,000-OHMS	±5% ¼ WATT	R-24	22014	30,000-OHMS	±10% ¼ WATT	C-9	25428	.0015-MFD	±5% MICA	L-1	25598	290 MILLI-HENRIES	CHOKE COIL
R-10	25418	1,500-OHMS	±10% ¼ WATT	R-25	20266	75,000-OHMS	±10% ¼ WATT	C-10	25429	.00035-MFD	±10% MICA	L-2	21693	540 MILLI-HENRIES	CHOKE COIL
R-11	20855	150,000-OHMS	±10% ¼ WATT	R-26	28526	20,000-OHMS	±10% ¼ WATT	C-11	22753	.006-MFD	±10% 400-WV				
R-12	21939	50,000-OHMS	±10% ¼ WATT	R-27	20266	75,000-OHMS	±10% ¼ WATT	C-12	21993	.05-MFD	±10% 400-WV				
R-13	21938	100,000-OHMS	±10% ¼ WATT					C-13							
R-14	20855	150,000-OHMS	±10% ¼ WATT					C-14	21993	.05-MFD	±10% 400-WV				
R-15	20728	250,000-OHMS	±20% ¼ WATT					C-15	21993	.05-MFD	±10% 400-WV				

VOLTAGES AND CURRENTS OF MODEL #752 AMPLIFIER. ALL MEASUREMENTS MADE WITH LINE VOLTAGE 115 VOLTS.
ALL VOLTAGES MEASURED WITH 1,000 OHMS PER VOLT VOLTMETER.

AVERAGE PLATE VOLTAGE MEASURED FROM	AVERAGE PLATE CURRENT:-	AVERAGE VOLTAGE MEASURED ACROSS	AVERAGE FILAMENT VOLTAGE:-
PLATE - TO CHASSIS:-	76-PLATE CURRENT	CONDENSERS:-	76-FIL. VOLTAGE
76-PLATE TO CHASSIS	65-VOLTS D.C.	C-18	6.3-VOLTS A.C.
6A6-PLATE TO CHASSIS	110-VOLTS D.C.	C-19	6A6-FIL. VOLTAGE
2A3-PLATE TO CHASSIS	345-VOLTS D.C.	C-6	2A3-FIL. VOLTAGE
		C-17	80-FIL. VOLTAGE
			5.0-VOLTS A.C.

SPEAKER FIELD 850-OHMS BETWEEN TERMINALS #1 & #7 ON SPEAKER SOCKET - 70-VOLTS D.C.

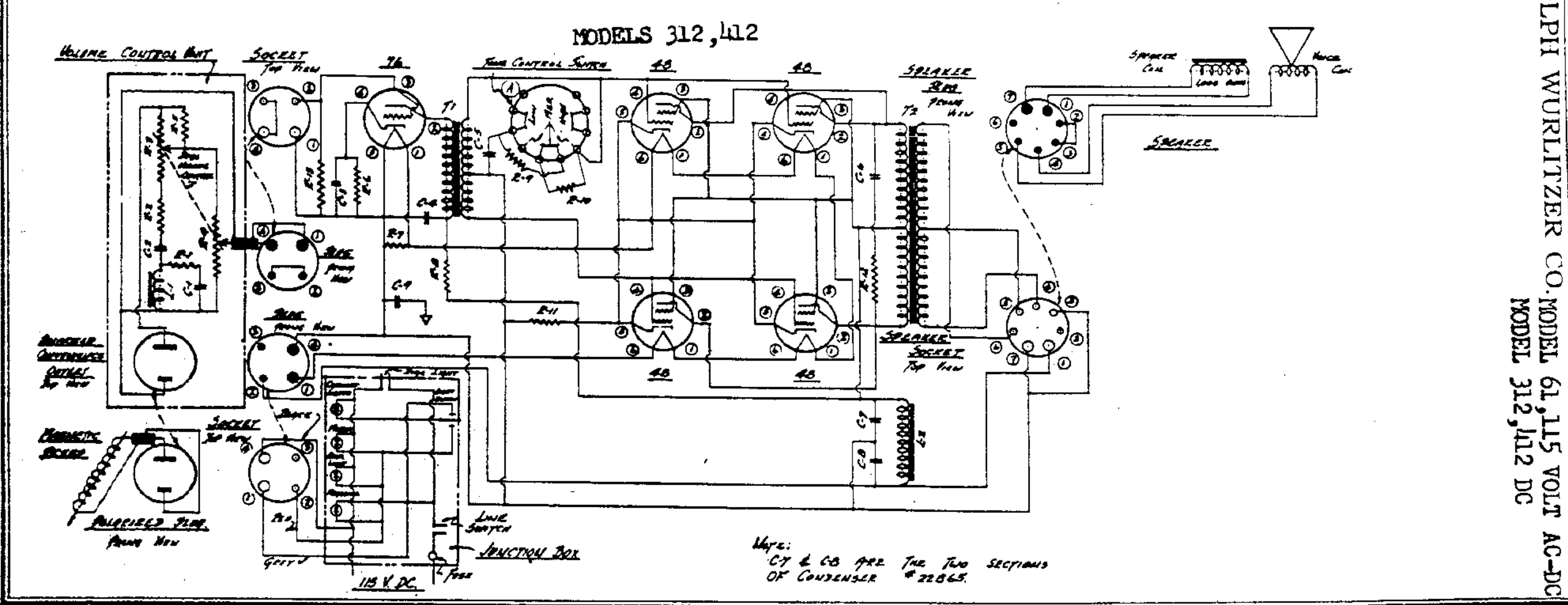
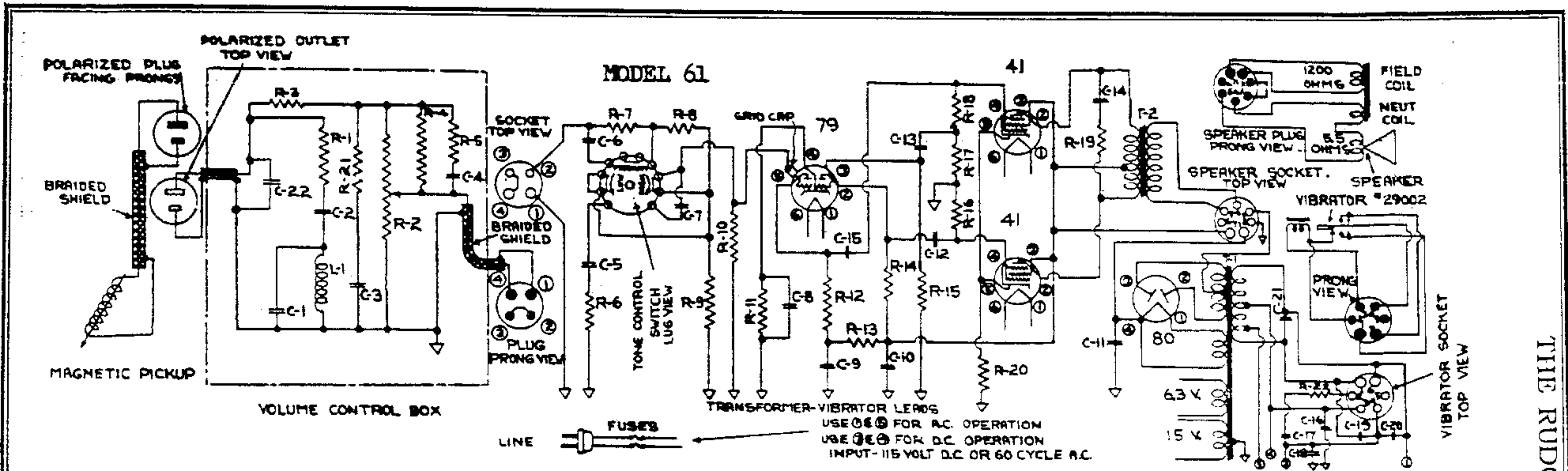


ITEM	PART NO.	VALUE	REMARKS	ITEM	PART NO.	VALUE	REMARKS	ITEM	PART NO.	VALUE	REMARKS	ITEM	PART NO.	VALUE	REMARKS
RESISTORS				CONDENSERS											
R-1	20787	5000 OHMS	±10% ¼WATT	R-16	25557	25000 OHMS	±5% 20WATT	C-1	25427	.002 MFD	±5% MICA	C-16	20665	25 MFD	±10% 200WV
R-2	22765	12000 OHMS	DUAL VOLUME CONTROL	R-17	20266	75000 OHMS	±10% ¼WATT	C-2	25430	.02 MFD	±10% 200WV	C-17		2 MFD	150 WV
R-3		150000 OHMS		R-18	20728	250000 OHMS	±20% ¼WATT	C-3	23221	.18 MFD	±10% 200WV	C-18	25415	25 MFD	450 WV
R-4	21200	10000 OHMS	±10% ¼WATT	R-19	20728	250000 OHMS	±20% ¼WATT	C-4	22531	.003 MFD	±10% MICA	C-19		8 MFD	500 WV
R-5	20767	5000 OHMS	±10% ¼WATT	R-20	20750	500000 OHMS	±20% ¼WATT	C-5	22753	.006 MFD	±10% 400WV	C-20	24329	1 MFD	±10% 200 WV
R-6	25418	1500 OHMS	±10% ¼WATT	R-21	23084	25000 OHMS	±10% ¼WATT	C-6	23010	10 MFD	25 WV	C-21	24364	.5 MFD	±10% 200 WV
R-7	20267	15000 OHMS	±10% ¼WATT	R-22	20750	500000 OHMS	±20% ¼WATT	C-7	21993	.05 MFD	±10% 400WV	C-22	24364	5 MFD	±10% 200 WV
R-8	28626	25000 OHMS	±5% ¼WATT	R-23	20855	150000 OHMS	±10% ¼WATT	C-8	24321	2 MFD	450 WV	C-23	29016	25 MFD	±10% 200 WV
R-9	28152	75000 OHMS	±5% ¼WATT	R-24	22014	30000 OHMS	±10% ¼WATT	C-9	25428	.0015 MFD	±5% MICA	C-24	29017	.01 MFD	±10% 200 WV
R-10	25418	1500 OHMS	±10% ¼WATT	R-25	20266	75000 OHMS	±10% ¼WATT	C-10	25429	.00035 MFD	±10% MICA	CHOKES			
R-11	20855	150000 OHMS	±10% ¼WATT	R-26	22526	20000 OHMS	±10% ¼WATT	C-11	22753	.006 MFD	±10% 400WV	L-1	25598	290 MILLIHENRIES	CHOKE COIL
R-12	21939	50000 OHMS	±10% ¼WATT	R-27	20266	75000 OHMS	±10% ¼WATT	C-12	21993	.05 MFD	±10% 400WV	L-2	21693	540 MILLIHENRIES	CHOKE COIL
R-13	21938	100000 OHMS	±10% ¼WATT	R-28	22530	1000 OHMS	±10% ¼WATT	C-13	29164	10 MFD	65 WV AC	TRANSFORMERS			
R-14	20855	150000 OHMS	±10% ¼WATT					C-14	21993	.05 MFD	±10% 400WV	T-1	29001	60 CYCLE	POWER
R-15	20728	250000 OHMS	±20% ¼WATT					C-15	21993	.05 MFD	±10% 400WV	T-2	25416		AUDIC OUTPUT

VOLTAGES AND CURRENTS OF MODEL #754 AMPLIFIER. ALL MEASUREMENTS MADE WITH LINE VOLTAGE 115 VOLTS 60 CYCLE A.C. OR 32 VOLTS D.C. ALL VOLTAGES MEASURED WITH 1000 OHMS PER VOLT VOLTMETER.

AVERAGE PLATE VOLTAGE MEASURED FROM PLATE + TO CHASSIS-		AVERAGE PLATE CURRENT:-		AVERAGE VOLTAGE MEASURED ACROSS CONDENSERS:-		AVERAGE FILAMENT VOLTAGES	
76	65 VOLTS DC.	76	1.3 MILLS DC.	C-18	345 VOLTS DC.	76	6.3 VOLTS AC.
6A6	110 VOLTS DC.	6A6	.5 MILLS DC.	C-19	420 VOLTS DC.	6A6	6.3 VOLTS AC.
2A3	345 VOLTS DC.	2A3	34 MILLS DC.	C-6	35 VOLTS DC.	2A3	2.5 VOLTS AC.
				C-17	70 VOLTS DC.	80	5.0 VOLTS AC.

SPEAKER FIELD - 850 OHMS BETWEEN TERMINALS #1 & #7 ON SPEAKER SOCKET - 70 VOLTS DC.



ITEM	PART NO.	VALUE	REMARKS
RESISTORS			
R-1	31144	1,000 OHMS	- 5% 1/4 WATT
R-2	25679	100,000 "	VOLUME CONTROL
R-3	28153	15,000 "	- 5% 1/4 WATT
R-4	31644	100,000 "	- 5% 1/4 "
R-5	31152	200,000 "	- 5% 1/4 "
R-6	21200	10,000 "	-10% 1/4 "
R-7	20266	75,000 "	-10% 1/4 "
R-8	21200	10,000 "	-10% 1/4 "
R-9	21938	100,000 "	-10% 1/4 "
R-10	20703	300,000 "	-10% 1/4 "
R-11	22588	3,000 "	-10% 1/4 "
R-12	25575	200,000 "	-10% 1/4 "
R-13	20266	75,000 "	-10% 1/4 "
R-14	20728	250,000 "	-20% 1/4 "
R-15	20728	250,000 "	-20% 1/4 "
R-16	25432	500,000 "	-10% 1/4 "
R-17	21200	10,000 "	-10% 1/4 "
R-18	25432	500,000 "	-10% 1/4 "
R-19	25574	15,000 "	-10% 1 "
R-20	25573	250 "	- 5% 10 "
R-21	25910	50,000 "	- 5% 1/4 "
R-22	22530	1,000 "	-10% 1/4 "
CONDENSERS			
C-1	22532	.004 MFD	-10% MICA
C-2	20665	.25 "	-10% 200 W.V.
C-3	22758	.001 "	-10% MICA
C-4	25680	.008 "	-10% 200 W.V.
C-5	22589	.0025 "	-10% MICA
C-6	22532	.004 "	-10% "
C-7	22589	.0025 "	-10% "
C-8	23010	10. "	25 W.V.
C-9	22320	.5 "	20%-10% 400 W.V.
C-10	25570	25. "	450 W.V.
C-11	21993	8. "	500 W.V.
C-12	21993	.05 "	-10% 400 " "
C-13	21993	.05 "	-10% 400 " "
C-14	22531	.003 "	-10% MICA
C-15	21993	.05 "	-10% 400 W.V.
C-16	29016	.25 "	-10% 200 " "
C-17	24329	.1 "	-10% 200 " "
C-18	29017	.01 "	-10% 200 " "
C-19	24364	.5 "	-10% 200 " "
C-20	24364	.5 "	-10% 200 " "
C-21	29155	1. "	220 W.V. A.C.
C-22	25680	.008 "	-10% 200 W.V.

VOLTAGES AND CURRENTS OF MODEL #842 AMPLIFIER. ALL MEASUREMENTS MADE WITH LINE VOLTAGE 115 VOLTS D.C. OR 60 CYCLE A.C.

ALL VOLTAGES MEASURED WITH 1000 OHMS PER VOLT VOLTMETER

AVERAGE PLATE VOLTAGE MEASURED FROM PLATE TO CHASSIS:
 79 115-VOLTS D.C.
 41 270-VOLTS D.C.

AVERAGE PLATE CURRENT
 79 .35- MILLS D.C.
 41 30. - MILLS D.C.

AVERAGE BIAS VOLTAGE MEASURED FROM CATHODE TO GROUND
 79 APPROX. 1.5-2. VOLTS
 41 18 VOLTS

ITEM	PART NO.	VALUE	REMARKS
CHOKES			
L-1	25598	290 M.H.	CHOKE COIL
TRANSFORMERS			
T-1	29149	60 CYCLE	POWER
T-2	25571		AUDIO OUTPUT

AVERAGE FILAMENT VOLTAGES
 79 6.3 VOLTS A.C.
 41 6.3 VOLTS A.C.
 80 5.0 VOLTS A.C.

VOLTAGE ACROSS CONDENSER C-10 - 275 VOLTS D.C.
 VOLTAGE ACROSS CONDENSER C-11 - 360 VOLTS D.C.

THE RUDOLPH WURLITZER CO

MODELS 312, 412 B6

ITEM	PART NO.	VALUE	REMARKS
R-1	22783	RESISTORS 7,000 OHMS	-10% 1/4 WATT
R-2	22588	"	-10% 1/4 " CONTROL
R-3	21600	"	DUAL VOLUME CONTROL
R-4	21600	1,500,000 "	DUAL VOLUME CONTROL
R-5	20787	5,000 "	-10% 1/4 WATT
R-6	22529	2,000 "	-10% 1/4 " CONTROL
R-7	22851	63 "	BLEND
R-8	21997	50,000 "	-10% 1/2 WATT
R-9	21200	10,000 "	-10% 1/4 " "
R-10	22526	20,000 "	-10% 1/4 " "
R-11	22854	100 "	-5% R.D.
R-12	22325	2,000 "	-5% 1/4 WATT
R-13	21841	2,000,000 "	-10% 1/4 " "
C-1	22589	CONDENSERS .0025 MFD	-10% MICA
C-2	22774	.2 "	-10% 200 VOLT
C-3	20129	10. "	25 "
C-4	22535	.75 "	-10% 200 VOLT
C-5	22850	.01 "	-10% 400 VOLT
C-6	21993	.05 "	-20% 400 "
C-7	22865	1.0 "	(SEE NOTE) 200 VOLT
C-8	(SEE C-7)	20 "	" "
C-9	22861	.1 "	-20% 400 VOLT
L-1	21693	560 M. H.	AIR CORE
L-2	22866	1.35 HENRIES	POWER FILTER
T-1	22867	TRANSFORMERS	INPUT
T-2	22864	"	AUDIO OUTPUT

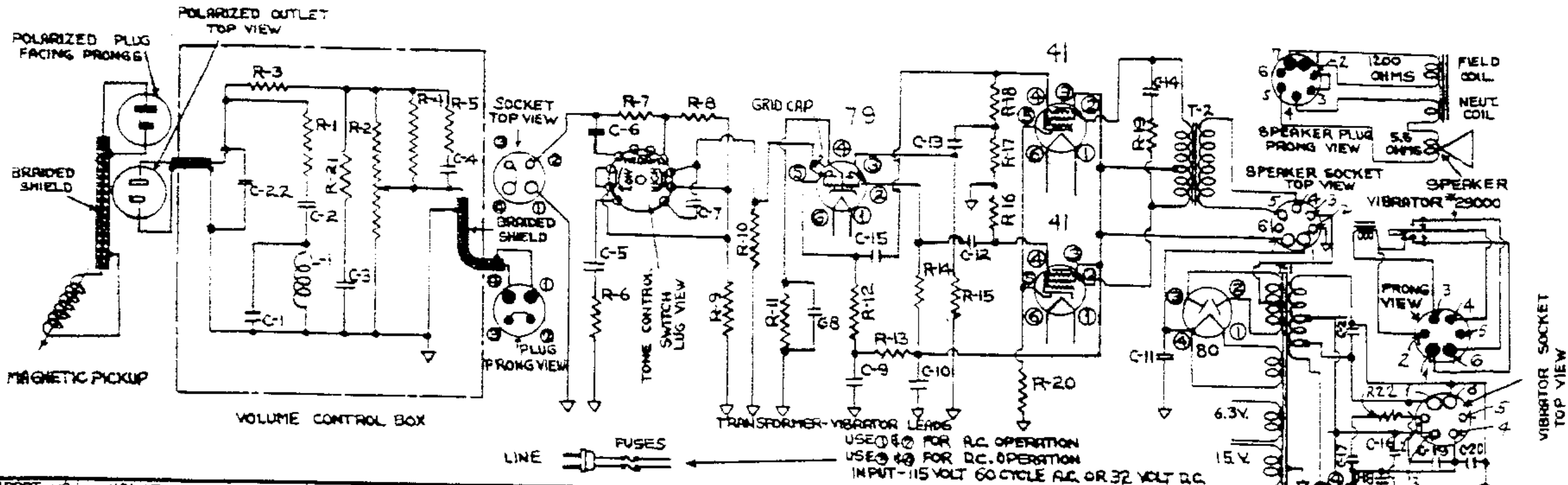
VOLTAGES AND CURRENTS OF MODEL - 651 - AMPLIFIER. ALL MEASUREMENTS MADE WITH LINE VOLTAGE 115-VOLTS D.C. ALL VOLTAGES MEASURED WITH 1000 - OHMS PER VOLT VOLTMETER

AVERAGE PLATE VOLTAGE MEASURED FROM HE PLATE TO CONTACT #7 - ON SPEAKER SOCKET
-48 110 VOLTS D.C.
-76 20 "

AVERAGE PLATE CURRENT
-48 350 - M.A.
-76 .6 - " "

AVERAGE BIAS VOLTAGE MEASURED FROM CATHODE OF TUBE TO 7 - CONTACT ON SPEAKER SOCKET
-48 19.5 - VOLTS D.C.
-76 1.0 - " "

AVERAGE FILAMENT VOLTAGE: -
-48 27.5 VOLTS D.C.
-76 6.1 " "



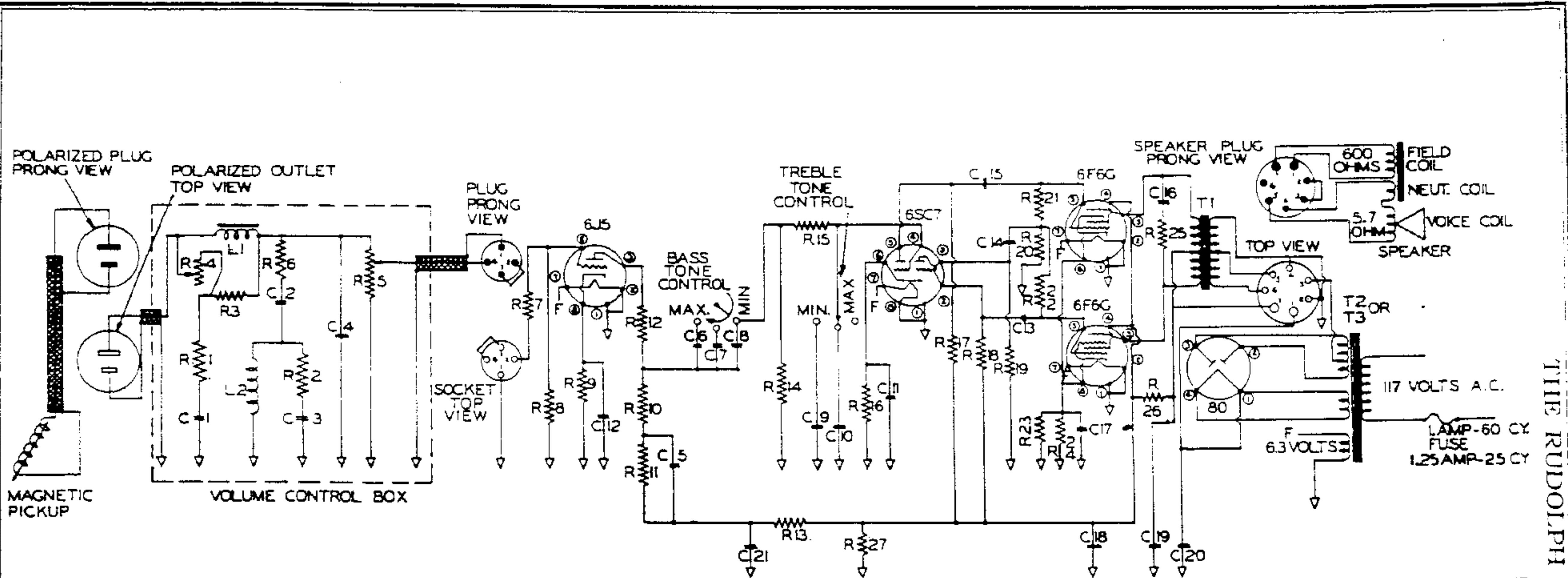
ITEM	PART NO.	VALUE	REMARKS	ITEM	PART NO.	VALUE	REMARKS	ITEM	PART NO.	VALUE	REMARKS	ITEM	PART NO.	VALUE	REMARKS
RESISTORS				CONDENSERS											
R-1	31144	1000 OHMS	± 5% 1/4 WATT	R-16	25432	500000 OHMS	± 10% 1/4 WATT	C-1	22532	.004 MFD	± 10% MICA	C-16	29016	.25 MFD	± 10% 200 W.V.
R-2	25679	100000 OHMS	VOLUME CONTROL	R-17	21200	10000 OHMS	± 10% 1/4 WATT	C-2	20665	.25 MFD	± 10% 200 W.V.	C-17	24329	.1 MFD	± 10% 200 W.V.
R-3	28153	15000 OHMS	± 5% 1/4 WATT	R-18	25432	500000 OHMS	± 10% 1/4 WATT	C-3	22758	.001 MFD	± 10% MICA	C-18	29017	.01 MFD	± 10% 200 W.V.
R-4	31644	100000 OHMS	± 5% 1/4 WATT	R-19	25574	15000 OHMS	± 10% 1 WATT	C-4	25680	.008 MFD	± 10% 200 W.V.	C-19	24364	.5 MFD	± 10% 200 W.V.
R-5	31152	200000 OHMS	± 5% 1/4 WATT	R-20	25573	250 OHMS	± 5% 10 WATT	C-5	22589	.0025 MFD	± 10% MICA	C-20	24364	.5 MFD	± 10% 200 W.V.
R-6	21200	10000 OHMS	± 10% 1/4 WATT	R-21	25910	50000 OHMS	± 5% 1/4 WATT	C-6	22532	.004 MFD	± 10% MICA	C-21	29164	10. MFD	65 W.V. A.C.
R-7	20266	75000 OHMS	± 10% 1/4 WATT	R-22	22530	1000 OHMS	± 10% 1/4 WATT	C-7	22589	.0025 MFD	± 10% MICA	C-22	25680	.008 MFD	± 10% 200 W.V.
R-8	21200	10000 OHMS	± 10% 1/4 WATT					C-8	23010	10. MFD	25 W.V.	CHOKES			
R-9	21938	100000 OHMS	± 10% 1/4 WATT					C-9	22320	.3 MFD	± 20% 400 W.V.	L-1	25598	290 MILLIHENRIES	CHOKE COIL
R-10	20703	300000 OHMS	± 10% 1/4 WATT					C-10	25570	25 MFD	450 W.V.				
R-11	22588	3000 OHMS	± 10% 1/4 WATT					C-11	25570	8. MFD	500 W.V.	TRANSFORMERS			
R-12	25575	200000 OHMS	± 10% 1/4 WATT					C-12	21993	.05 MFD	± 10% 400 W.V.	T-1	29136	60-CYCLE	POWER
R-13	20266	75000 OHMS	± 10% 1/4 WATT					C-13	21993	.05 MFD	± 10% 400 W.V.	T-2	25571		AUDIO OUTPUT
R-14	20728	250000 OHMS	± 20% 1/4 WATT					C-14	22531	.003 MFD	± 10% MICA				
R-15	20728	250000 OHMS	± 20% 1/4 WATT					C-15	21993	.05 MFD	± 10% 400 W.V.				

VOLTAGES AND CURRENTS OF MODEL #843 AMPLIFIER. ALL MEASUREMENTS MADE WITH LINE VOLTAGE 115 VOLTS 60 CYCLE AC OR 32 VOLTS D.C.
 ALL VOLTAGES MEASURED WITH 1000 OHMS PER VOLT VOLTMETER.

AVERAGE PLATE VOLTAGE MEASURED FROM PLATE TO CHASSIS		AVERAGE PLATE CURRENT		AVERAGE BIAS VOLTAGE MEASURED FROM CATHODE TO GROUND		AVERAGE FILAMENT VOLTAGE	
79	115 VOLTS D.C.	79	.35 MILLS D.C.	79	APPROX. 1.5-2. VOLTS	79	6.3 VOLTS A.C.
41	270 VOLTS D.C.	41	30. MILLS D.C.	41	18. VOLTS	41	6.3 VOLTS A.C.
						80	5.0 VOLTS A.C.

VOLTAGE ACROSS CONDENSER C-10 - 275 VOLTS D.C. VOLTAGE ACROSS CONDENSER C-11 - 360 VOLTS D.C.

SPEAKER FIELD - 1200 OHMS BETWEEN TERMINALS #1 & #7 ON SPEAKER SOCKET - 85 VOLTS D.C.



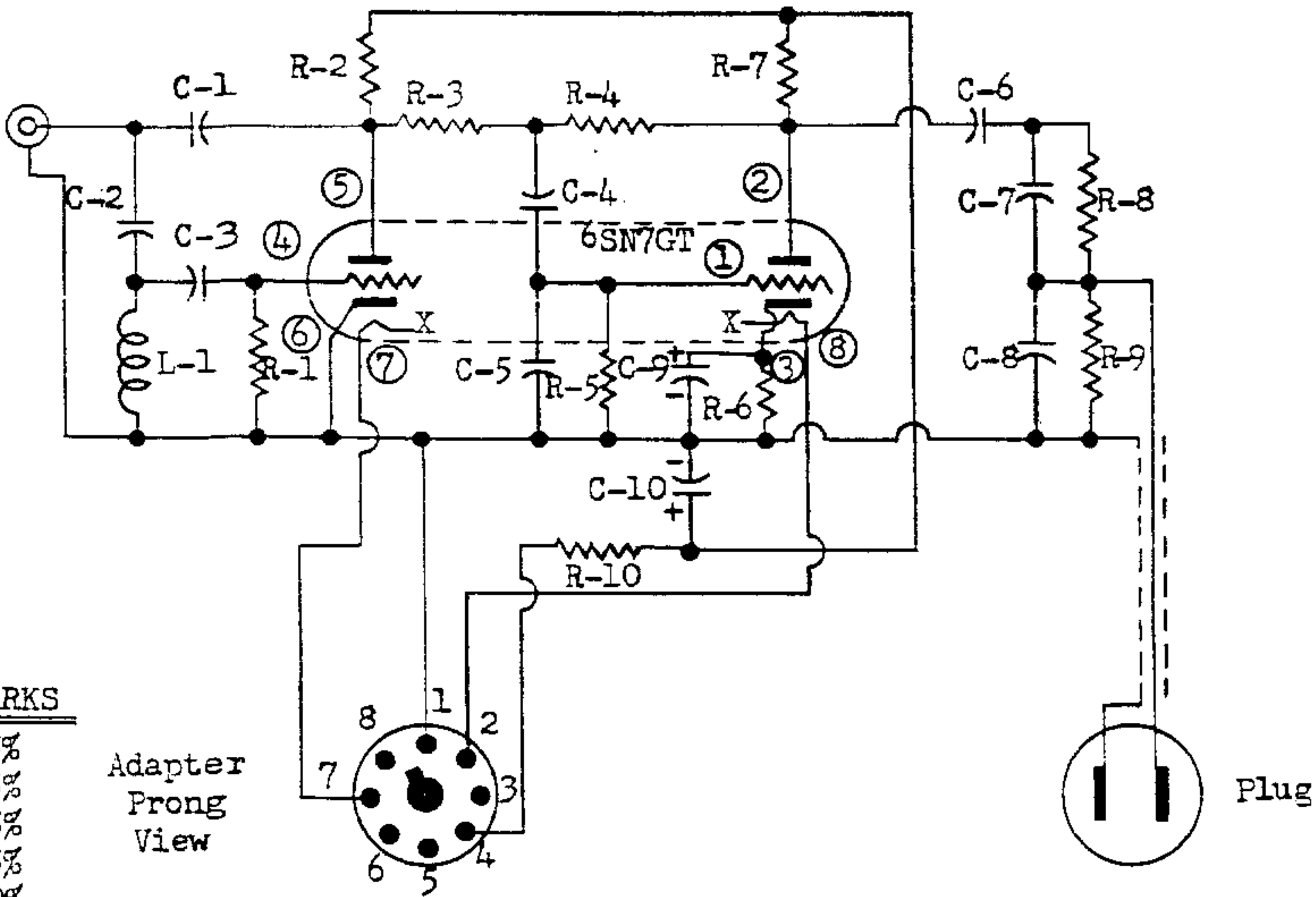
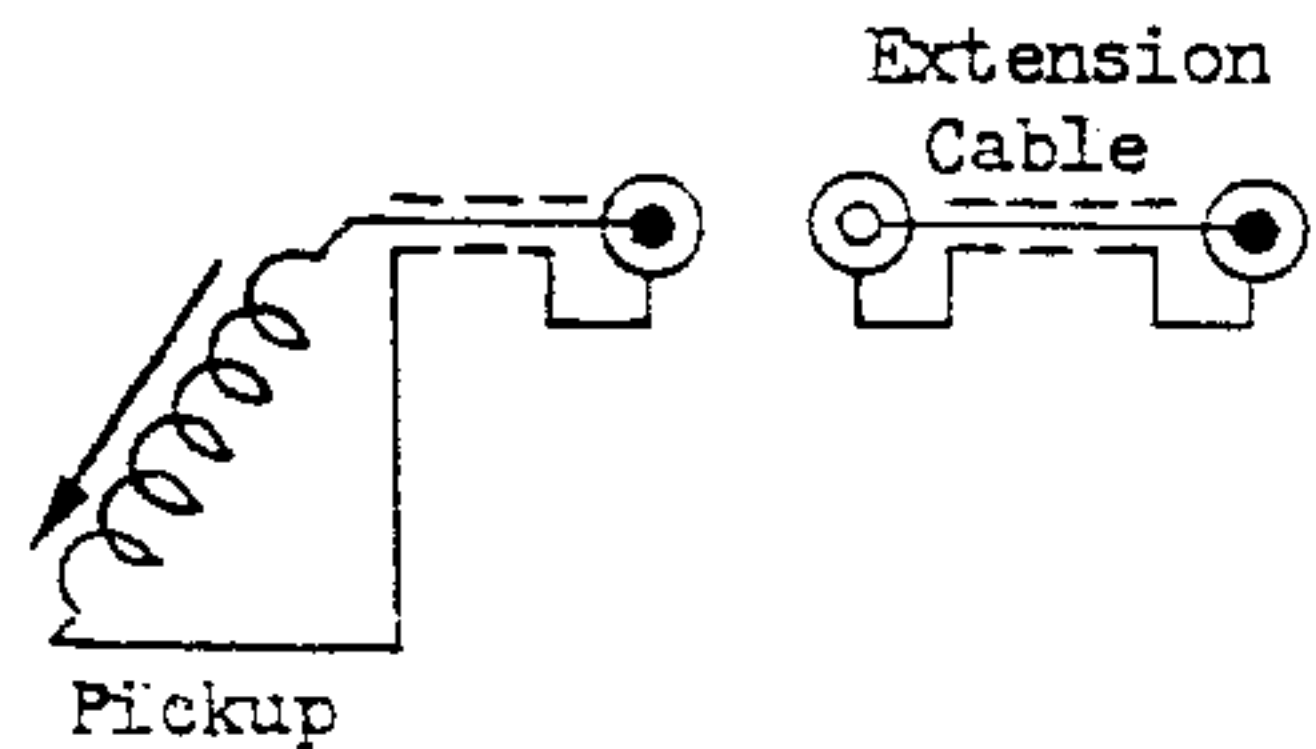
ITEM PART NO	VALUE	REMARKS	ITEM PART NO	VALUE	REMARKS	ITEM PART NO	VALUE	REMARKS	ITEM PART NO	VALUE	REMARKS
RESISTOR			RESISTOR			CONDENSER			CONDENSER		
R 1 36533	5100 OHMS ± 10%	1/4 WATT	R 15 20855	150 000 OHMS ± 10%	1/4 WATT	C 1 36320	.003 MFD ± 10%	600 WV	C 15 37284	.03 MFD ± 10%	600 WV
R 2 22530	1 000 OHMS ± 10%	1/4 WATT	R 16 36325	1 200 OHMS ± 10%	1/4 WATT	C 2 28123	.3 MFD ± 10%	120 WV	C 16 35989	.006 MFD ± 10%	1200 WV
R 3 36534	3900 OHMS ± 10%	1/4 WATT	R 17 36476	180 000 OHMS ± 10%	1/4 WATT	C 3 25680	.008 MFD ± 10%	600 WV	C 17	.20 MFD	25 WV
R 4 36551	20 000 OHMS VOL CON REAR		R 18 36476	180 000 OHMS ± 10%	1/4 WATT	C 4 25560	.004 MFD ± 10%	600 WV	C 18 36338	.10 MFD	450 WV
R 5 36325	50 000 OHMS VOL CON PANEL		R 19 35924	560 000 OHMS ± 10%	1/4 WATT	C 5 36471	.075 MFD ± 10%	200 WV	C 19	.10 MFD	450 WV
R 6 36325	1 200 OHMS ± 10%	1/4 WATT	R 20 21938	100 000 OHMS ± 10%	1/4 WATT	C 6 22850	.01 MFD ± 10%	400 WV	C 20	.10 MFD	475 WV
R 7 36475	120 000 OHMS ± 10%	1/4 WATT	R 21 36476	180 000 OHMS ± 10%	1/4 WATT	C 7 36473	.00085 MFD ± 10%	600 WV	C 21 36469	.8 MFD	350 WV
R 8 36447	390 000 OHMS ± 10%	1/4 WATT	R 22 36476	180 000 OHMS ± 10%	1/4 WATT	C 8 36474	.0015 MFD ± 10%	600 WV	CHOKES		
R 9 36324	3 300 OHMS ± 10%	1/4 WATT	R 23 36327	680 OHMS ± 10%	1 WATT	C 9 36472	.001 MFD ± 10%	600 WV	L 1 35917	400 MILLIHENRIES	COIL
R 10 36477	4 700 OHMS ± 10%	1/4 WATT	R 24 36327	680 OHMS ± 10%	1 WATT	C 10 36319	.00035 MFD ± 10%	600 WV	L 2 35933	290 MILLIHENRIES	COIL
R 11 20855	150 000 OHMS ± 10%	1/4 WATT	R 25 25574	15 000 OHMS ± 10%	1 WATT	C 11 36330	.20 MFD DUAL	25 WV	TRANSFORMER		
R 12 36326	56 000 OHMS ± 10%	1/4 WATT	R 26 37145	1 500 OHMS ± 10%	3 WATT	C 12	.20 MFD DUAL	25 WV	T 1 36314		AUDIO OUTPUT
R 13 21200	10 000 OHMS ± 10%	1/4 WATT	R 27 36321	47 000 OHMS ± 10%	3 WATT	C 13 37284	.03 MFD ± 10%	600 WV	T 2 36315	50-60 CYCLE	POWER
R 14 36323	270 000 OHMS ± 10%	1/4 WATT				C 14 22850	.01 MFD ± 10%	400 WV	T 3 37267	25 CYCLE	POWER

VOLTAGES & CURRENTS OF MODEL 071 AMPLIFIER — ALL MEASUREMENTS MADE WITH LINE AT 117 VOLTS 25 OR 60 CYCLE
 ALL VOLTAGES MEASURED WITH 1000 OHM PER VOLT VOLTMETER. (ALL VOLTAGES OVER 50 USE 500 VOLT SCALE)

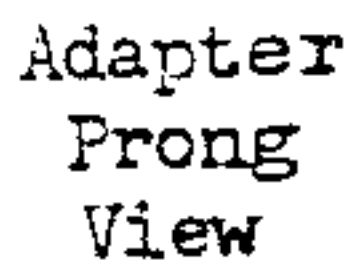
AVERAGE PLATE & SCREEN VOLTAGE MEASURED TO CHASSIS	AVERAGE PLATE CURRENT	AVERAGE BIAS VOLTAGE MEASURED FROM CATHODE TO CHASSIS	AVERAGE FILAMENT VOLTAGE
6J5 PLATE 77 VOLTS DC	6J5 11 MILLS DC	6J5 3 VOLTS DC	6J5 6.3 VOLTS A.C.
6SC7 PLATE 155 VOLTS DC	6SC7 8 MILLS DC	6SC7 1.75 VOLTS DC	6SC7 6.3 VOLTS A.C.
6F6G PLATE 37 VOLTS DC	6F6G 30 MILLS DC	6F6G 23 VOLTS DC	6F6G 6.3 VOLTS A.C.
6F6G SCREEN 310 VOLTS DC			80 5 VOLTS A.C.

AVERAGE VOLTAGE ACROSS CONDENSERS — C17 23 VOLTS DC. — C18 309 VOLTS DC. — C19 337 VOLTS DC. — C20 388 VOLTS DC. — C21 295 VOLTS DC

SPEAKER FIELD RESISTANCE 600 OHMS — 51 VOLTS DC MEASURED BETWEEN TERMINALS 1 & 7 OF SPEAKER SOCKET



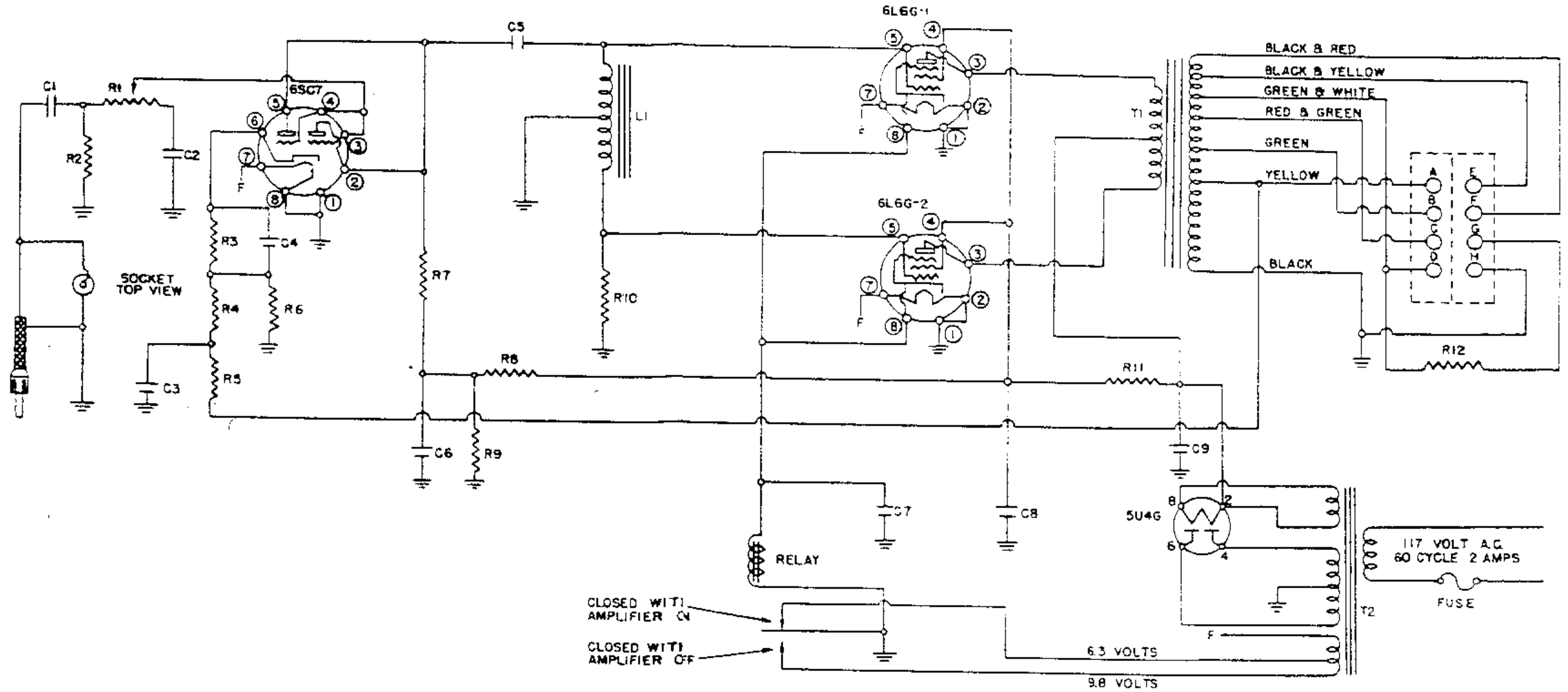
ITEM	PART NO.	VALUE	REMARKS
R-1	72264-41	1 Megohm 1/2 W.	±5%
R-2	72377-11	51000 Ohms 1 W.	±5%
R-3	72089-11	51000 Ohms 1/3 W.	±5%
R-4	72260-31	680000 Ohms 1/2 W.	±5%
R-5	72256-42	470000 Ohms 1/2 W.	±10%
R-6	72202-32	2700 Ohms 1/2 W.	±10%
R-7	72240-42	100000 Ohms 1/2 W.	±10%
R-8	72238-32	82000 Ohms 1/2 W.	±10%
R-9	72220-32	15000 Ohms 1/2 W.	±10%
R-10	72360-32	10000 Ohms 1 W.	±10%
C-1	50042	50 MMFD.	Ceramic ±2%
C-2	50042	50 MMFD.	Ceramic ±2%
C-3	73033-24	.1 MFD. 400 V.	±10%
C-4	73016-64	.02 MFD. 400 V.	+30% -10%
C-5	50041	100 MMFD.	Ceramic ±10%
C-6	73033-24	.1 MFD. 400 V.	±10%
C-7	73012-24	.007 MFD. 400 V.	±10%
C-8	73006-24	.002 MFD. 400 V.	±10%



ALL VOLTAGES MEASURED WITH VOLTOHMIST JUNIOR OR EQUIVALENT VACUUM TUBE VOLTMETER AT 117 V. LINE WITH PICKUP CONNECTED

ITEM	PART NO.	VALUE	REMARKS
C-9	49857	20 Mfd. 25V.	Electrolytic
C-10		20 Mfd. 400V.	Electrolytic
L-1	49856	Oscil. Coil	

Voltages	
Across C-9	4 Volts D.C.
Across C-10	245 Volts D.C.
Across R-1	-5 Volts D.C.



ITEM	PART NO.	VALUE	REMARKS	ITEM	PART NO.	VALUE	REMARKS	ITEM	PART NO.	VALUE	REMARKS	ITEM	PART NO.	VALUE	REMARKS
C1	22545	05 MFD	200 W V ±10%	R1	46112	250,000 OHMS	TONE CONTROL	R10	35925	82,000 OHMS	±10% 1/3 WATT	T1	47007		OUTPUT TRANSFORMERS
C2	36440	00075 MFD	600 W V ±10%	R2	35929	560,000 OHMS	±11% 1/3 WATT	R11	40223	100 OHMS	±10% 1 WATT	T2	47023		POWER TRANSFORMERS
C3	36320	003 MFD	600 W V ±10%	R3	40225	910 OHMS	±1% 1/3 WATT	R12	47201	82 OHMS	±10% 2 WATT				
C4	36432	20 MFD	25 W V ±10%	R4	47202	9100 OHMS	±1% 1/3 WATT								
C5	38548	25 MFD	400 W V ±10%	R5	47202	9100 OHMS	±1% 1/3 WATT								
C6	40149	20 MFD	350 W V ±10%	R6	40224	130 OHMS	±1% 1/3 WATT								
C7	40149	20 MFD	25 W V ±10%	R7	36326	56,000 OHMS	±11% 1/3 WATT								
C8	40149	40 MFD	400 W V ±10%	R8	47163	1,000 OHMS	±11% 5 WATT								
C9	40150	50 MFD	400 W V ±10%	R9	47164	10,000 OHMS	±11% 20 WATT								

VOLTAGE & CURRENTS OF MODEL 217 AMPLIFIER
ALL VOLTAGES MEASURED WITH 1000 OHMS PER VOLT VOLTMETER

ALL MEASUREMENTS MADE WITH LINE AT 117 VOLTS 60 CYCLES
FOR VOLTAGES OVER 50 USE 500 VOLT SCALE

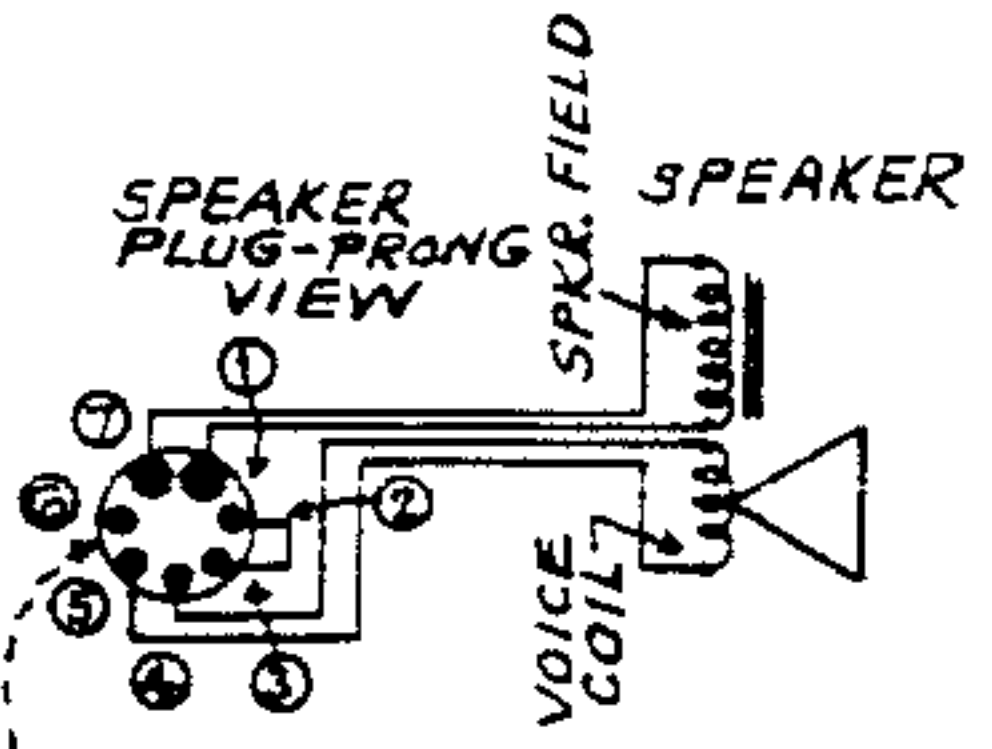
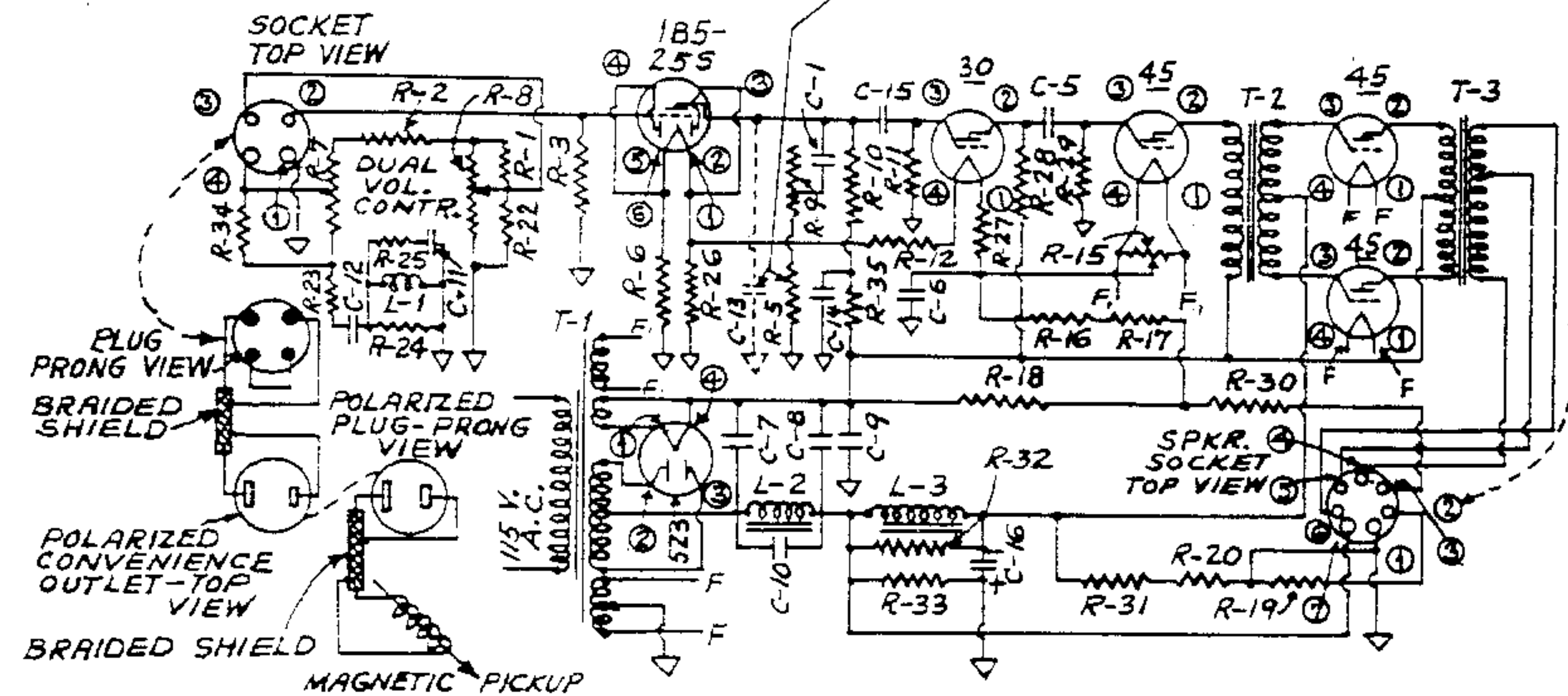
AVERAGE PLATE & SCREEN VOLTAGES MEASURED TO CHASSIS		AVERAGE CURRENT		AVERAGE VOLTAGES ACROSS CONDENSERS		AVERAGE FILAMENT VOLTAGE	
6L6G	PLATE 290 VOLTS DC	6L6G	PLATE 64 MA D.C.	C9 (50 MFD)	300 VOLTS D.C.	6L6G	6.3
6L6G	SCREEN 295 VOLTS DC	65C7	PLATE 16 MA D.C.	C8 (40 MFD)	295 VOLTS D.C.	65C7	6.3
65C7	PLATE 160 VOLTS DC	6L6G	SCREEN 42 MA D.C.	C7 (20 MFD)	20 VOLTS D.C.	5U4G	5.0
				C6 (20 MFD)	265 VOLTS D.C.		
				C4 (20 MFD)	1.4 VOLTS D.C.		

FILAMENT VOLTAGES ARE 9.8 V. FOR ACCELERATED CATHODE HEATING WHEN FILAMENTS ARE COOL.

MODEL 312, 412
 SERIAL 42,000 to 42,750
 MODEL 312, 412
 SERIAL 42,750 and up

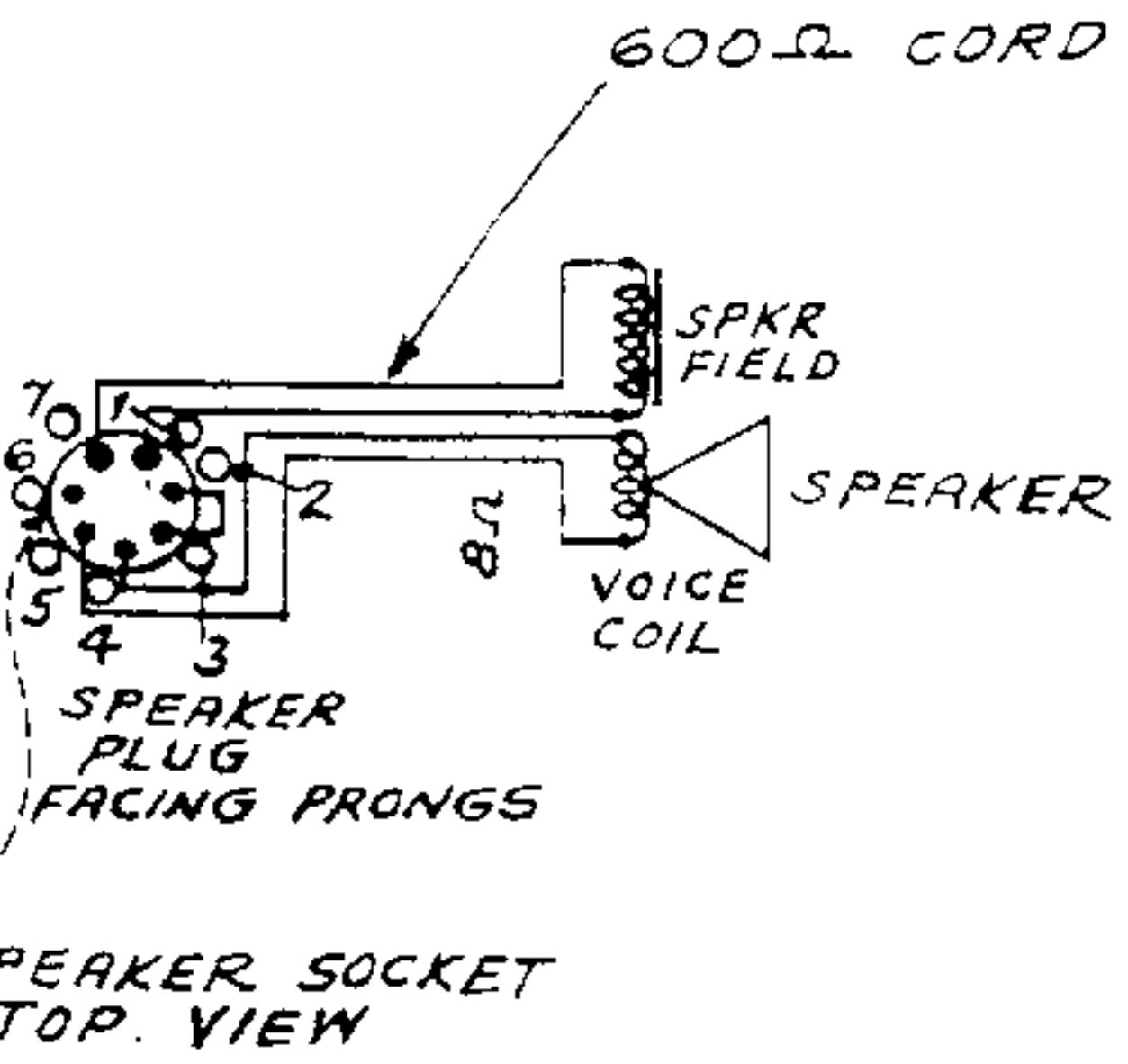
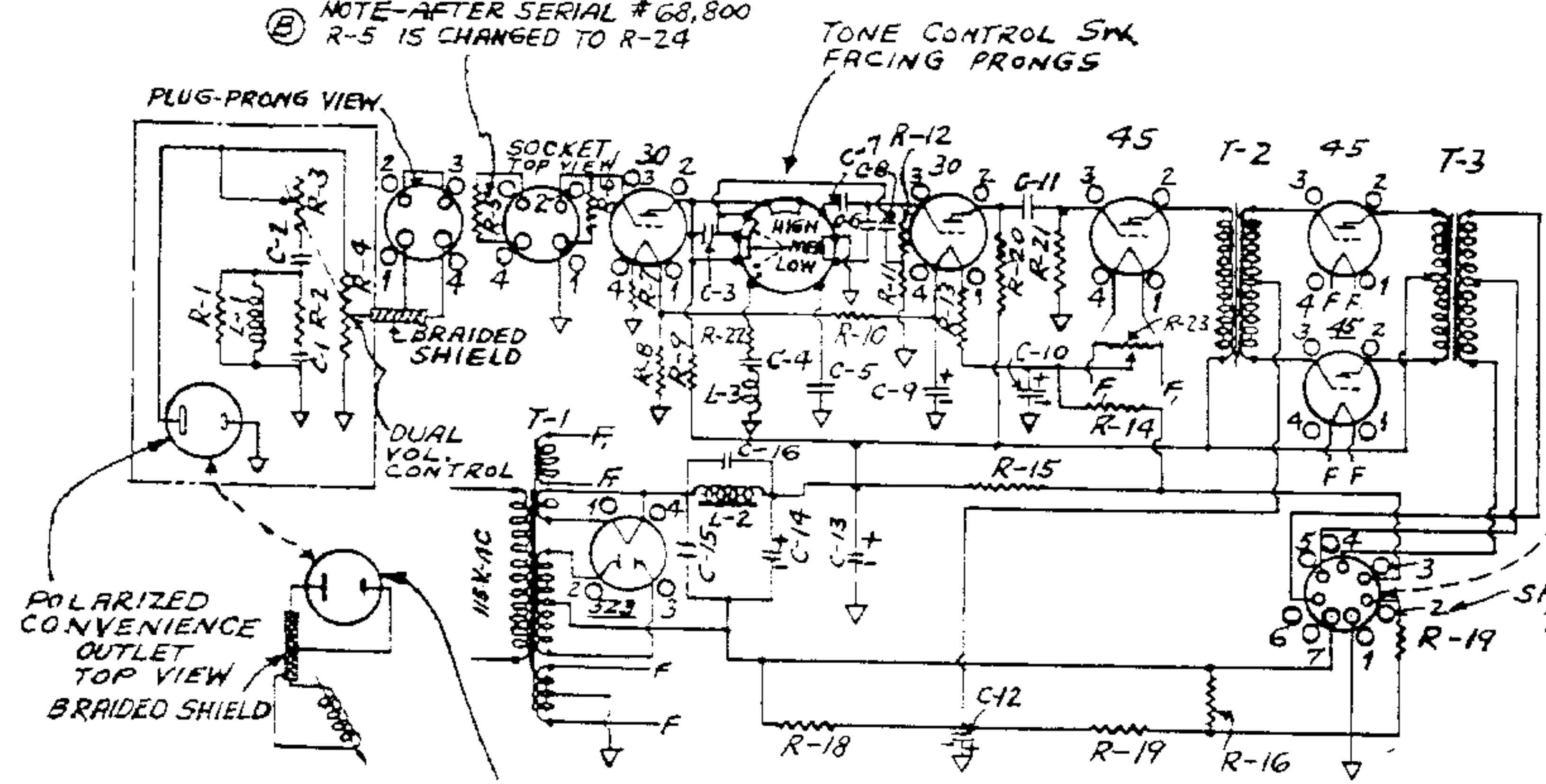
THE RUDOLPH WURLITZER CO.

NOTE: CONDENSER C-13 & RESISTOR R-5 ADDED AFTER SERIAL # 4274



MODEL 312 AND 412
 SERIAL 42000 TO 42750

NOTE-AFTER SERIAL # 68,800
 R-5 IS CHANGED TO R-24



MODEL 312 AND 412 SERIAL 42750 & UP

ITEM	PART NO.	VALUE	REMARKS
RESISTORS			
R-1	20750	500,000 OHMS	-20% 1/4 WATT
R-2	21939	50,000 "	-10% 1/4 "
R-3	21938	100,000 "	-10% 1/4 "
R-5	21200	10,000 "	-10% 1/4 "
R-6	21623	50 "	-10% 1/4 "
R-7		15,000 "	
R-8	21600	1,500,000 "	DUAL V.C. REAR SECT.
R-9	21063	500,000 "	DUAL V.C. PANEL SECT.
R-10	21622	172,000 "	TONE CONTROL
R-11	20738	250,000 "	-20% 1/4 WATT
R-12	21621	150 "	-20% 1/4 "
R-15	20445	20 "	-10% 1/2 "
R-16		450 "	HUM CONTROL
R-17		5,000 "	VOLTAGE DIVIDER
R-18	20606	800 "	" "
R-19		2,500 "	" "
R-20		2,000 "	" "
R-22	21938	100,000 "	-10% 1/4 WATT
R-23	21999	800 "	-10% 1/4 "
R-24	21998	35,000 "	-10% 1/4 "
R-25	20787	5,000 "	-10% 1/4 "
R-26	21994	1,200 "	- 5% 1 "
R-27	21988	500 "	-10% R.D.
R-28	21997	50,000 "	-10% 1/2 WATT
R-29	20266	75,000 "	-10% 1/4 WATT
R-30	21987	775 "	- 5% R.D.
R-31	21996	300 "	-10% 1 WATT
R-32	21995	1,250 "	-10% 1 "
R-33	21986	1,575 "	- 5% R.D.
R-34	21998	35,000 "	-10% 1/4 WATT
R-35	22014	30,000 "	-10% 1/4 "
CONDENSERS			
C-1	21737	.03 MFD	-20% 400 VOLTS
C-5	21736	.1 "	-20% 400 "
C-6	21546	16. "	150 "
C-7 &	21547	4. "	600 "
C-8		6. "	500 "
C-9	21720	25. "	450 "
C-10	21738	.3 "	-10% 200 "
C-11	20257	.004 "	MICA 10%-20%
C-12	21990	.25 "	-10% 200 VOLTS
C-13	22241	.002 "	MICA 10%-20%
C-14	21989	.5 "	-20% 400 VOLTS
C-15	21993	.05 "	-20% 400 "
C-16	21546	16. "	150 "

TRANSFORMERS		CHOKES	
T-1	21549	WDG	1,500 OHM DC
T-2	21548	WDG	148 OHM DC
T-3	21551	WDG	1,400 OHM DC

POWER
AUDIO INPUT
AUDIO OUTPUT

AIR CORE
POWER FILTER
DIAS FILTER

VOLTAGES AND CURRENTS OF MODEL #660-AMPLIFIER. ALL MEASUREMENTS MADE WITH LINE VOLTAGE 115-VOLTS. ALL VOLTAGES MEASURED WITH 1000-OHMS PER VOLT VOLTMETER

AVERAGE PLATE VOLTAGE MEASURED FROM PLATE TO FILAMENT:-

OUTPUT	-45	295-VOLTS D.C.
DRIVER	-45	235-VOLTS D.C.
	-30	168-VOLTS D.C.
	1B5	115-VOLTS D.C.

AVERAGE PLATE CURRENT:-

OUTPUT	-45	37.0 M.A. D.C.
DRIVER	-45	27.5 MAA. D.C.
	-30	2.2 M.A. D.C.
	1B5	.7 M.A. D.C.

AVERAGE GRID VOLTAGE MEASURED FROM GRID - TO FILAMENT

OUTPUT	-45	60-VOLTS D.C.
OUTPUT	-45	60-VOLTS D.C.
DRIVER	-45	38-VOLTS D.C.

AVERAGE FILAMENT VOLTAGE:-

OUTPUT	-45	2.5-VOLTS A.C.
OUTPUT	-45	2.5-VOLTS A.C.
DRIVER	-45	2.5-VOLTS A.C.
	-30	2.0-VOLTS D.C.
	-1B5	2.0-VOLTS D.C.

AVERAGE SPEAKER FIELD VOLTAGE.
600-OHMS SPEAKER FIELD VOLTAGE MEASURED FROM #1-CONTACT TO #1-CONTACT ON SPEAKER SOCKET 75-VOLTS.
2,500-OHMS SPEAKER FIELD VOLTAGE MEASURED FROM #3-CONTACT TO #1-CONTACT ON SPEAKER SOCKET 162-VOLTS D.C.

THE RUDOLPH WURLITZER CO.

WURLITZER PA PAGE 1-23

MODEL 312,412
SERIAL 42,000
to 42,750

ITEM	PART NO.	VALUE	REMARKS
RESISTORS			
R-1	21998	35,000 OHMS	-10% 1/4 WATT
R-2	22783	7,000 "	-10% 1/4 WATT
R-3	22765	12,000 "	DUAL V.C. REAR SECT.
R-4		150,000 "	DUAL V.C. PANEL SECT.
R-5	20266	75,000 "	-10% 1/4 WATT
R-6	20788	250,000 "	-20% 1/4 "
R-7	20755	65 "	-5% 1/4 "
R-8	22523	2,000 "	-5% 1 "
R-9	20728	250,000 "	-20% 1/4 "
R-10	22755	65 "	-5% 1/4 "
R-11	20728	250,000 "	-20% 1/4 "
R-12	21939	50,000 "	-10% 1/4 "
R-13		550 "	VOLTAGE DIVIDER
R-14		3,915 "	" "
R-15	22766	1,385 "	" "
R-16		1,575 "	" "
R-17		2,500 "	" "
R-18	22750	800 "	-10% 1/2 WATT
R-19	21619	2,300 "	-10% 10 "
R-20	21447	50,000 "	-10% 1/2 "
R-21	20855	150,000 "	-10% 1/4 "
R-22	22526	20,000 "	-10% 1/4 "
R-23	20445	20 "	HUM CONTROL
R-24	20855	150,000 "	-10% 1/4 WATT
CONDENSERS			
C-1	22502	.004 MFD	-10% MICA
C-2	20665	.25 "	-10% 200 VOLTS
C-3	22753	.006 "	-10% 400 "
C-4	21993	.05 "	-20% 400 "
C-5	22759	.0001 "	-10% MICA
C-6	22758	.001 "	-10% "
C-7	22241	.002 "	-10% -20% MICA
C-8	21736	.1 "	-20% 400 VOLTS
C-9	22754	12. "	150 WORKING VOLTS
C-10	22754	12. "	150 " "
C-11	21736	.1 "	-20% 400 VOLTS
C-12	22754	12 "	150 WORKING VOLTS
C-13	21720	25 "	450 " "
C-14	22325	6 "	500 " "
C-15		4 "	600 " "
C-16	22774	.2 "	-10% 200 VOLTS

TRANSFORMERS		CHOKES	
T-1	21549	L-1	21693
T-2	22764	L-2	21550
T-3	22760	L-3	21693
POWER AUDIO INPUT AUDIO OUTPUT			
AIR CORE POWER FILTER AIR CORE			
VOLTAGES AND CURRENTS OF MODEL #661 AMPLIFIER. ALL MEASUREMENTS MADE WITH 115-VOLT LINE VOLTAGE. ALL VOLTAGES MEASURED WITH 1000-OHM PER VOLT METER.			
AVERAGE PLATE VOLTAGE MEASURED FROM PLATE TO FILAMENT -:			
OUTPUT DRIVER	-45 -45	290-VOLTS D.C.	230-VOLTS D.C.
	-30 -30	140-VOLTS D.C.	80-VOLTS D.C.
AVERAGE PLATE CURRENT:*			
OUTPUT DRIVER	-45 -45	34.0 M.A. D.C.	32.0 " " " "
	-30 -30	3.2 " " " "	2.8 " " " "
AVERAGE GRID VOLTAGE MEASURED FROM GRID - TO FILAMENT			
OUTPUT DRIVER	-45 -45	59-VOLTS D.C.	32-VOLTS D.C.
AVERAGE FILAMENT VOLTAGE:-			
RECTIFIER OUTPUT DRIVER	-5Z3 -45 -45	5.0-VOLTS A.C.	2.5-VOLTS A.C.
	-30	2.5-VOLTS A.C.	2.0-VOLTS D.C.
600-OHM SPEAKER FIELD VOLTAGE MEASURED FROM #1 CONTACT TO #7 CONTACT ON SPEAKER SOCKET, 78 VOLTS D.C.			
2500-OHM AUXILIARY SPEAKER FIELD VOLTAGE MEASURED FROM #1 CONTACT TO #3 CONTACT ON SPEAKER SOCKET, 162 VOLTS D.C.			

PA PAGE 121 WURLITZER
 MODEL 312, 412
 SERIAL 42,750 and up
 THE RUDOLPH WURLITZER CO.

ITEM	PART NO.	VALUE	REMARKS
RESISTORS			
R-1	22530	1,000 OHMS	-10% 1/4 WATT
R-2	22765	12,000 "	-15% VOLUME CONTROL
R-3		150,000 "	-15% "
R-4	20750	500,000 "	-20% 1/4 WATT
R-5	22354	65 "	- 5% 1/2 "
R-6	22323	2,000 "	-10% 1 "
R-7	21938	100,000 "	-10% 1/4 "
R-8	21939	50,000 "	-10% 1/4 "
R-9	23014	100 "	- 5% 1/2 "
R-10	20750	500,000 "	-20% 1/4 "
R-11	20266	75,000 "	-10% 1/4 "
R-12	22323	2,000 "	-10% 1 "
R-13	23208	60,000 "	-10% 1/2 "
R-14		575 "	BLEEDER 4 "
R-15	23015	9,000 "	" 30 "
R-16		2,500 "	" 33 "
R-17	20728	250,000 "	-20% 1/4 "
R-18	20445	20 "	HUM CONTROL
R-19	23012	5,000 "	- 5% 10 WATT
R-20	23011	2,000 "	- 5% 10 "
R-21	23011	2,000 "	- 5% 10 "
R-22	23013	3,500 "	- 5% 10 "
R-23	23084	25,000 "	-10% 1/4 "
R-24	26358	7,000 "	-10% 1/2 "
R-25	26358	7,000 "	-10% 1/2 "
R-26	21939	50,000 "	-10% 1/4 "
CONDENSERS			
C-1	C		
C-2	20665	.25 MFD	-10% 200 VOLT
C-3			
C-4	24321	2. "	450 VOLT
C-5	24280	.00075 "	-10%-20% MICA
C-6	22241	.002 "	-10% "
C-7	21993	.05 "	-20% 400 VOLT
C-8	26560	.004 "	-10% 600 "
C-9	24279	10. "	25 "
C-10	24775	25. "	150 "
C-11	21736	.1 "	-20% 400 "
C-12		8. "	150 "
C-13	23021	8. "	150 "
C-14	20665	.25 "	FOR 60 - CYCLE
C-15	21720	25 "	450 VOLT
C-16	22325	6 "	500 "
C-17		4. "	600 "
C-18	21720	25. "	FOR 25 40 - CYCLE
C-19	24363	1. "	FOR 25 - 30 "
C-20	24364	.5 "	FOR 40 - CYCLE
C-21	24321	2. "	450 VOLT
C-22	23021	8 - 8 "	FOR 25 - 30 CYCLE
C-23			
C-24	22241	.002 MFD	-10% MICA

CHOKES			
L-1	21693	540 - M. H.	CHOKE COIL
L-2	24305	290 " "	" "
L-3	21550	8.75 HENRIES	#1 FILTER CHOKE
L-4	23017	2 " "	#2 " "

TRANSFORMERS			
T-1	21548		AUDIO INPUT
T-2	23019		AUDIO OUTPUT
T-3	24527	60 - CYCLE	POWER
T-4	24526	25 - CYCLE	POWER

VOLTAGES AND CURRENTS OF MODEL - #771 - AMPLIFIER. ALL MEASUREMENTS MADE WITH LINE VOLTAGE 115 - VOLTS. ALL VOLTAGES MEASURED WITH 1,000 OHMS PER VOLT VOLTMETER.

AVERAGE PLATE VOLTAGE MEASURED FROM PLATE TO CHASSIS -

OUTPUT	- 45	355 - VOLTS D.C.
DRIVER	- 45	#27 - VOLTS D.C.
	- 30	175 - VOLTS D.C.
	- 30	80 - VOLTS D.C.

AVERAGE PLATE CURRENT:-

OUTPUT	- 45	28.0 - M.A. D.C.
DRIVER	- 45	38.0 - " " " "
	- 30	2.1 - " " " "
	- 30	1.5 - " " " "

AVERAGE GRID VOLTAGE MEASURED FROM GRID TO FILAMENT

OUTPUT	- 45	87 - VOLTS D.C.
DRIVER	- 45	40 - " " " "

AVERAGE FILAMENT VOLTAGE:-

RECTIFIER	523	5.0 - VOLTS A.C.
OUTPUT	- 45	2.5 - " " " "
DRIVER	- 45	2.5 - " " " "
	- 30	2.1 - " D.C.

AVERAGE VOLTAGES ACROSS SPEAKER FIELDS AND ELECTROLYTIC CONDENSERS
 3,200 - OHM SPEAKER FIELD VOLTAGE MEASURED FROM #1 - CONTACT TO # 7 CONTACT ON SPEAKER SOCKET 205 - VOLTS D.C.
 2,500 - OHM AUXILIARY SPEAKER FIELD VOLTAGE MEASURED FROM #1 - CONTACT TO #3 CONTACT ON SPEAKER SOCKET 155 - VOLTS D.C.

C-17	ELECTROLYTIC	385 - VOLTS D.C.
C-16	"	360 - " " " FROM RECTIFIER - 45 PLATE -
C-15	"	355 - " " " TO CHASSIS 150 - VOLTS D.C.

ITEM	PART NO.	VALUE	REMARKS
RESISTORS			
R-1	22529	2,000 OHMS	-10% 1/4 WATT
R-2	21999	800 "	-10% 1/4 "
R-3	20267	15,000 "	-10% 1/4 "
R-4		100,000 "	-15% VOLUME CONTROL
R-5	23215	150,000 "	-15% "
R-6	23208	60,000 "	-10% 1/2 WATT
R-7	21938	100,000 "	-10% 1/4 "
R-8	20750	500,000 "	-20% 1/4 "
R-9	22529	2,000 "	-10% 1/4 "
R-10	20787	5,000 "	-10% 1/4 "
R-11	20787	5,000 "	-10% 1/4 "
R-12	20704	3,500 "	-10% 1/4 "
R-13	20704	3,500 "	-10% 1/4 "
R-14	20750	500,000 "	-10% 1/4 "
R-15	22354	65 "	- 5% 1/2 "
R-16	22323	2,000 "	- 5% 1 "
R-17	23014	100 "	- 5% 1/2 "
R-18	21938	100,000 "	-10% 1/4 "
R-19	20728	250,000 "	-20% 1/4 "
R-20	22323	2,000 "	- 5% 1 "
R-21	23204	60,000 "	-10% 1/2 "
R-22	20855	150,000 "	-10% 1/4 "
R-23	20445	20 "	HUM CONTROL
R-24	22322	25,000 "	-10% 1/2 WATT
R-25	22322	25,000 "	-10% 1/2 "
R-26	23012	5,000 "	- 5% " 10 "
R-27	23011	2,000 "	- 5% " 10 "
R-28	23011	2,000 "	- 5% " 10 "
R-29	23013	3,500 "	-10% " 10 "
R-30		575 "	BLEEDER 4 "
R-31	23015	9,000 "	" 30 "
R-32		2,500 "	" 33 "
R-33	20266	75,000 "	10% 1/4 "
CONDENSERS			
C-1	21990	.25 MFD	-10% 200 VOLT
C-2	22535	.75 "	-10% 20% 200 VOLT
C-3	23221	.18 "	-10% 200 VOLT
C-4	22544	.15 "	-10% 200 "
C-5	22544	.15 "	-10% 200 "
C-6	22589	.0025 "	-10% "
C-7	22532	.004 "	-10% "
C-8	22534	.015 "	-10% 200 VOLT
C-9	21993	.05 "	-20% 400 "
C-10	21736	.1 "	-20% 400 "
C-11	23010	10 "	25 "
C-12	23009	12 "	150 "
C-13	20775	.5 "	-25% 400 "
C-14		8 "	150 "
C-15	23021	8 "	150 "
C-16		25 "	450 "
C-17	23020	6 "	500 "
C-18		4 "	600 "
C-19	22121	1.25 "	-10% 200 "

		CHOKES
L-1	22514	CHOKE TONE CONTROL
L-2	223216	RESISTOR TONE CONTROL
L-3	23217	CHOKE ASSEMBLY
L-4	23018	#2 FILTER CHOKE
L-5	23017	#1 FILTER CHOKE
L-6	23746	CHOKE
TRANSFORMERS		
T-1	21548	AUDIO INPUT
T-2	23014	AUDIO OUTPUT
T-3	23016	POWER TRANSFORMER

VOLTAGES AND CURRENTS OF MODEL #671-AMPLIFIER. ALL MEASUREMENTS MADE WITH LINE VOLTAGE 115-VOLTS. ALL VOLTAGES MEASURED WITH 1,000-OHMS PER VOLT VOLTMETER

AVERAGE PLATE VOLTAGE MEASURED FROM PLATE TO CHASSIS-		
OUTPUT	-45	355-VOLTS D.C.
DRIVER	-45	327-VOLTS D.C.
	-30	175-VOLTS D.C.
	-30	80-VOLTS D.C.

AVERAGE PLATE CURRENT:-		
OUTPUT	-45	28.0-M.A. D.C.
DRIVER	-45	38.0-M.A. D.C.
	-30	2.1- M.A.D.C.
	-30	1.5-M.A. D.C.

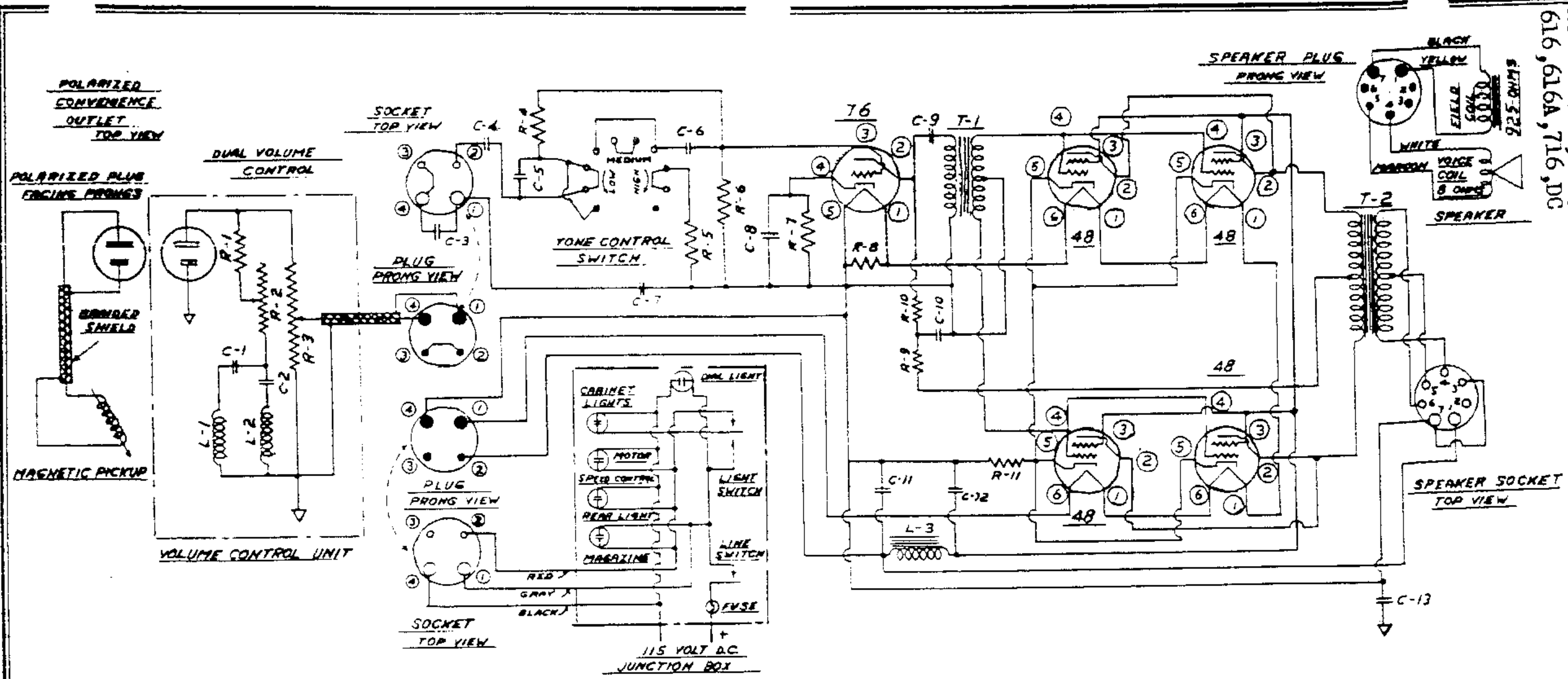
AVERAGE GRID VOLTAGE MEASURED FROM GRID TO FILAMENT		
OUTPUT	-45	87 VOLTS D.C.
DRIVER	-45	40 VOLTS D.C.

AVERAGE FILAMENT VOLTAGE:-		
RECTIFIER	5Z3	5.0 VOLTS A.C.
OUTPUT	-45	2.5 VOLTS ALC.
DRIVER	-45	2.5 VOLTS A.C.
	-30	2.1 VOLTS D.C.

AVERAGE VOLTAGES ACROSS SPEAKER FIELDS AND ELECTROLYTIC CONDENSERS. 3200-OHM SPEAKER FIELD VOLTAGE MEASURED FROM #1-CONTACT TO #7-CONTACT ON SPEAKER SOCKET 205-VOLTS D.C. 2500-OHM AUXILIARY SPEAKER FIELD VOLTAGE MEASURED FROM #1-CONTACT TO #3 CONTACT ON SPEAKER SOCKET 155-VOLTS D.C.

C-18	ELECTROLYTIC	385-VOLTS D.C.
C-17	ELECTROLYTIC	360-VOLTS D.C.
C-16	ELECTROLYTIC	355-VOLTS D.C.

FROM RECTIFIER - 45PLATE - TO CHASSIS 150-VOLTS D.C.



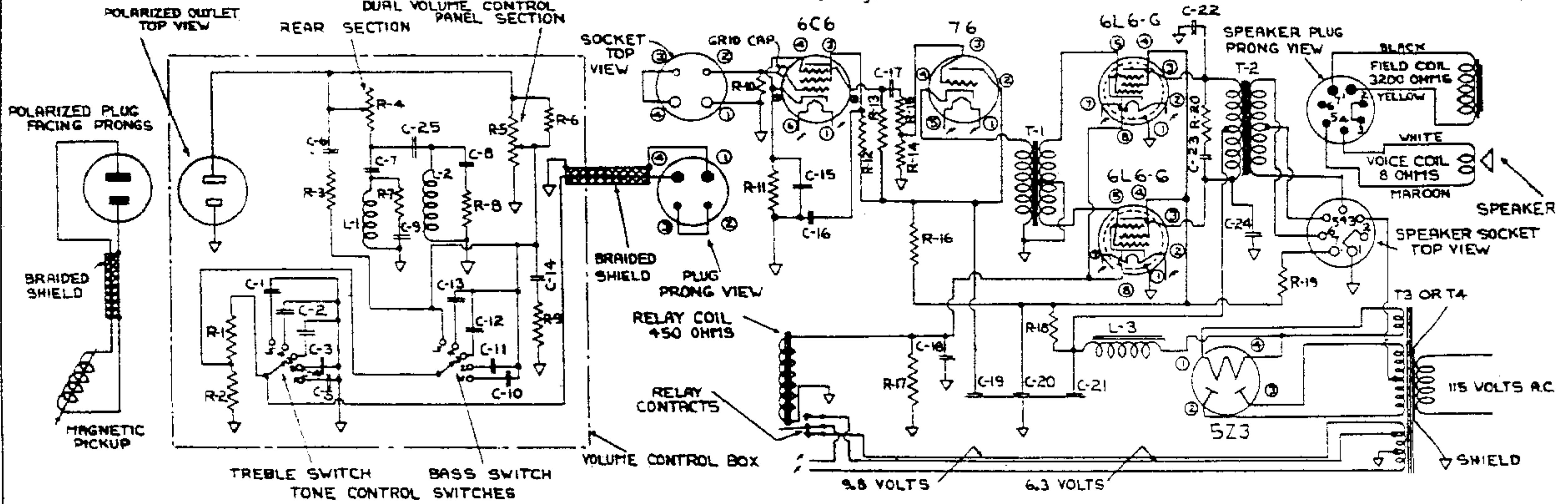
ITEM	PART NO.	VALUE	REMARKS	ITEM	PART NO.	VALUE	REMARKS	ITEM	PART NO.	VALUE	REMARKS	ITEM	PART NO.	VALUE	REMARKS
RESISTORS															
R-1	22530	1000 OHM	±10% 1/4 WATT	R-11	22851	63 OHM	±5% 10 WATT	C-4	24329	.1 - MFD.	±10% 200-W.VOLTS				
R-2	26378	7500 OHM	DUAL V.C. REAR SECT.					C-5	26372	.0075 - MFD.	±10% 200-W.VOLTS				
R-3		150000 OHM	DUAL V.C. PANEL SECT.					C-6	26372	.0075 - MFD.	±10% 200-W.VOLTS				
R-4	21939	50000 OHM	±10% 1/4 - WATT					C-7	24363	1.0 - MFD.	±10% 200-W.VOLTS				
R-5	21998	35000 OHM	±10% 1/4 - WATT					C-8	24279	10 - MFD.	ELEC. 25-W.VOLTS	L-1	24305	290-MILLIHENRIES	AIR CORE
R-6	20855	150000 OHM	±10% 1/4 - WATT					C-9	21736	.1 - MFD.	±20% 400-W.VOLTS	L-2	21693	540-MILLIHENRIES	AIR CORE
R-7	22529	2000 OHM	±10% 1/4 - WATT					C-10	22535	.75 - MFD.	-10%±20% 200 W.VOLTS	L-3	22866	1.35-HENRIES	POWER FILTER
R-8	22851	63 OHM	±5% 10 - WATT	CONDENSERS				C-11	22865	2.0 - MFD.	200 W.VOLTS	TRANSFORMERS			
R-9	21997	50000 OHM	±10% 1/2 - WATT	C-1	22241	.002 - MFD.	±10% MICA	C-12		1.0 - MFD.	200 W.VOLTS	T-1	22867	AUDIO	INPUT
R-10	21938	100,000 OHM	±10% 1/4 - WATT	C-2	20665	.25 - MFD.	±10% 200 W. VOLTS	C-13	21736	.1 - MFD.	±20% 400 W.VOLTS	T-2	22864	AUDIO	OUTPUT
				C-3	22241	.002 - MFD.	±10% MICA								

VOLTAGES AND CURRENTS OF MODEL #751 AMPLIFIER. ALL MEASUREMENTS MADE WITH LINE VOLTAGE 115 VOLTS D.C.

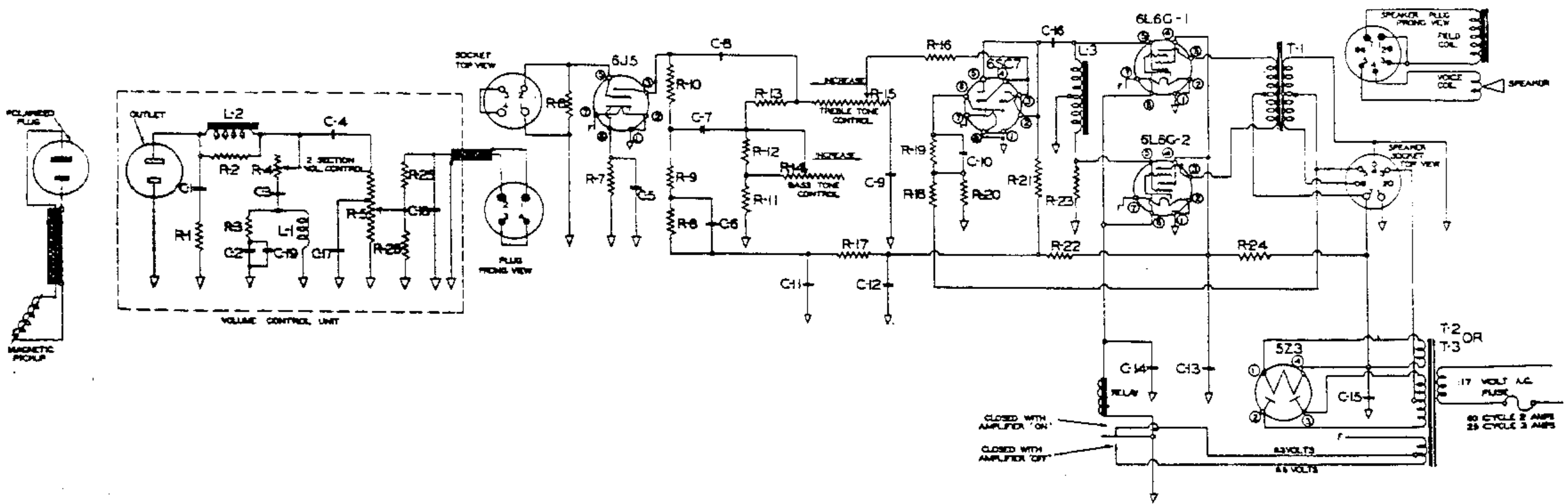
ALL VOLTAGES MEASURED WITH 1000 OHMS PER VOLT VOLTMETER

AVERAGE PLATE VOLTAGE MEASURED FROM	AVERAGE PLATE CURRENT	AVERAGE BIAS VOLTAGE MEASURED FROM CATHODE OF TUBE TO #7-CONTACT ON SPEAKER SOCKET	AVERAGE FILAMENT VOLTAGES:-
PLATE + TO CONTACT - #7 ON SPEAKER SOCKET	- 48 48.0 - MA	- 48 16.0 - VOLTS D.C.	- 48 27.5 - VOLTS D.C.
- 48 110 - VOLTS D.C.	- 76 .6 - M.A.	- 76 1.0 - VOLT D.C.	- 76 6.1 - VOLTS D.C.
- 76 20 - VOLTS D.C.			

MODELS 500, 500A



MODEL 950



ITEM	PART NO.	VALUE	REMARKS
RESISTORS			
R-1	20267	15,000 OHMS	- 5% 1/4 WATT
R-2	31152	200,000 "	- 5% 1/4 "
R-3	31146	60,000 "	- 5% 1/4 "
R-4	26378	7,500 "	-15% DUAL VOL. CONTROL
R-5		150,000 "	-15% "
R-6	31146	60,000 "	- 5% 1/4 WATT
R-7	31144	1,000 "	- 5% 1/4 "
R-8	31151	500 "	- 5% 1/4 "
R-9	31153	82,000 "	- 5% 1/4 "
R-10	21841	2,000,000 "	-10% 1/4 "
R-11	28150	600 "	- 5% 1/4 "
R-12	25575	200,000 "	-10% 1/4 "
R-13	23208	60,000 "	-10% 1/2 "
R-14	20703	300,000 "	-10% 1/4 "
R-15	25575	200,000 "	-10% 1/4 "
R-16	28147	10,000 "	-10% 1 "
R-17	28146	390 "	- 5% 3 "
R-18	28133	950 OHMS BLEEDER	- 5% 20 "
R-19		1500 OHMS BLEEDER	- 5% 25 "
R-20	28148	18,000 OHMS	-10% 1 "
CONDENSERS			
C-1	22759	.0001 MFD	-10% MICA
C-2	20865	.0015 "	-10% "
C-3	31147	.0035 "	-10% "
C-4	31148	.006 "	-10% 200 VOLTS
C-5	28143	.01 "	-10% 200 VOLTS
C-6	31150	.05 "	-10% 200 VOLTS
C-7	22241	.002 "	-10% MICA
C-8	22753	.006 "	-10% 400 VOLTS
C-9	25680	.008 "	-10% 200 VOLTS
C-10	31149	.004 "	-10% 200 VOLTS
C-11	31148	.006 "	-10% 200 VOLTS
C-12	22534	.015 "	-10% 200 VOLTS
C-13	31150	.05 "	-10% 200 VOLTS
C-14	22531	.003 "	-10% MICA
C-15	28141	25 "	25 VOLTS
C-16	28211	.25 "	-10% 400 "
C-17	28142	.03 "	-10% 400 "
C-18	28139	16 "	50 "
C-19		4 "	350 "
C-20	28138	20 "	450 "
C-21		8 "	500 "
C-22	28924	.00035 "	-10% 1000 "
C-23	28145	.006 "	-10% 600 "
C-24	28924	.00035 "	-10% 1000 "
C-25	28123	.3 "	-10% 120 "

CHOKES			
L-1	25598	290 M.H.	CHOKE COIL-AIR CORE
L-2	28526	400 " "	CHOKE COIL-AIR CORE
L-3	28137	4.1 HENRIES-15%	POWER FILTER CHOKE

TRANSFORMERS			
T-1	28136		AUDIO INPUT
T-2	28135		AUDIO OUTPUT
T-3	28134	60 CYCLE	POWER
T-4	28470	25 CYCLE	POWER

VOLTAGES AND CURRENTS OF MODEL #854 AMPLIFIER.
 ALL MEASUREMENTS MADE WITH LINE VOLTAGE 115 VOLTS
 25 CYCLE OR 60 CYCLE A.C.
 ALL VOLTAGES MEASURED WITH 1000 OHMS PER VOLT VOLTMETER

AVERAGE PLATE VOLTAGE MEASURED FROM PLATE TO CHASSIS			
6L6-G	PLATE TO CHASSIS	400 VOLTS	D.C.
76	PLATE TO CHASSIS	220 VOLTS	D.C.
6C6	PLATE TO CHASSIS	65 VOLTS	D.C.

AVERAGE PLATE CURRENT			
6L6-G	PLATE CURRENT	5.1 MA	D.C.
76	PLATE CURRENT	6.5 MA	D.C.
6C6	PLATE CURRENT	2.5 MA	D.C.

AVERAGE D.C. VOLTAGES ACROSS 5Z3 FILAMENT & GROUND			
	ACROSS C-21	420 VOLTS	D.C.
	ACROSS C-20	405 VOLTS	D.C.
	ACROSS C-18	325 VOLTS	D.C.
	ACROSS C-15	24 VOLTS	D.C.
		67 VOLTS	D.C.

AVERAGE FILAMENT VOLTAGES			
6L6-G	FILAMENT VOLTAGE	- 6.3 VOLTS	A.C.
76	FILAMENT VOLTAGE	- 6.3 VOLTS	A.C.
6C6	FILAMENT VOLTAGE	- 6.3 VOLTS	A.C.

THESE FIL. VOLTAGES ARE 9.8 VOLTS FOR ACCELERATED
 CATHODE HEATING WHEN FILAMENTS ARE COOL.
 5Z3 FILAMENT VOLTAGE - 5.0 VOLTS A.C.

SPEAKER FIELD - 3200 OHMS BETWEEN TERMINALS 1 & 7
 ON SPEAKER SOCKET - 220 VOLTS D.C.

ITEM	PART NO.	VALUE	REMARKS
RESISTORS			
R-1	36477	4,700 OHMS	-10% 1/3 WATT
R-2	44195	18,000 "	" " "
R-3	22529	2,000 "	" " "
R-4	44196	7,500 "	VOL CON REAR
R-5	44196	150,000 "	" " FRONT
R-6	35924	560,000 "	-10% 1/3 WATT
R-7	36324	3,300 "	" " "
R-8	22528	220,000 "	" " "
R-9	37370	8,200 "	" " "
R-10	36441	22,000 "	" " "
R-11	37446	339,000 "	" " "
R-12	28383	1,000,000 "	" " "
R-13	40226	33,000 "	" " "
R-14	40607	1,000,000 "	TONE CON BASS
R-15	40227	250,000 "	" " TREBLE
R-16	37446	39,000 "	-10% 1/3 WATT
R-17	21200	10,000 "	" " "
R-18	40229	5,100 "	- 5% 1/2 "
R-19	40225	910 "	" 1/3 "
R-20	40224	130 "	" " "
R-21	36326	56,000 "	-10% " " "
R-22	37370	8,200 "	" " "
R-23	35925	82,000 "	" " "
R-24	40223	100 "	" 1 " "
R-25	21200	10,000 "	" 1/3 " "
R-26	20855	150,000 "	" " "
RELAY			
	40144	130 OHMS	S.P.D.T.
CONDENSERS			
C-1	36320	.003 MFD	-10% 600 WV
C-2	25680	.008 "	" " "
C-3	28123	.3 "	" 120 "
C-4	22545	.03 "	" 200 "
C-5	36432	20 "	100%-10% 25 "
C-6	22545	.03 "	-10% 200 "
C-7	28145	.006 "	" 600 "
C-8	36440	.00075 MFD	" " "
C-9	36440	.00075 "	" " "
C-10	36432	20 "	100%-10% 25 "
C-11	36469	8 "	" " 350 "
C-12	40149	20 "	" " 350 "
C-13	40149	40 "	" " 400 "
C-14	40149	20 "	" " 25 "
C-15	40150	50 "	50% " 400 "
C-16	38548	.25 "	-10% 400 "
C-17	40283	.0035 "	" 600 "
C-18	36472	.001 "	" 600 "
C-19	23052	.005 "	" " "

ITEM	PART NO.	VALUE	REMARKS
TRANSFORMERS			
T-1	40146		OUTPUT
T-2	40147	50-60 CYCLES	POWER (501)
T-2	43451	" " "	" (501A)
T-3	40243	25 "	" (501)
T-3	43467	" " "	" (501A)
CHOKES			
L-1	41337	200 M.H.	COIL
L-2	37185	920 "	"
L-3	40145		INPUT

VOLTAGE & CURRENTS OF MODELS 501-501A - 502 -502A AMPLIFIERS.
ALL VOLTAGES MEASURED WITH 1000 OHMS PER VOLT VOLTMETER.

ALL MEASUREMENTS MADE WITH LINE AT 117 VOLTS 25 OR 60 CYCLES.
FOR VOLTAGES OVER 50 USE 500 VOLT SCALE.

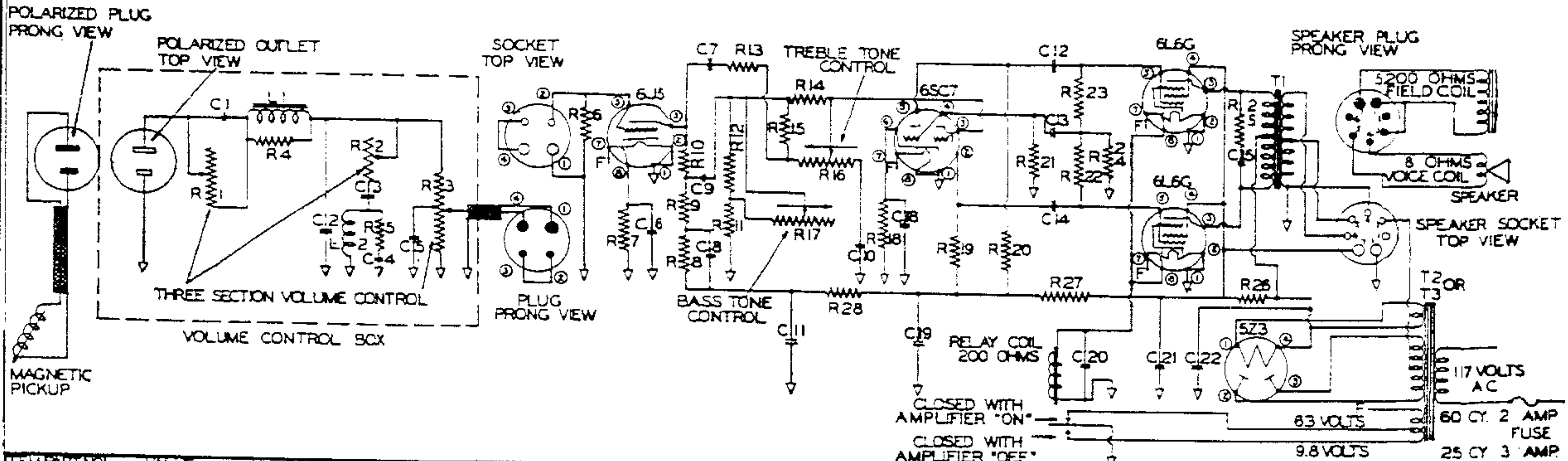
AVERAGE PLATE & SCREEN VOLTAGE MEASURED TO CHASSIS			
6L6G	PLATE	310 VOLTS	D.C.
6L6G	SCREEN	315 "	" "
6SC7	PLATE	170 "	" "
6J5	PLATE	70 "	" "

AVERAGE PLATE CURRENT			
6L6G	68	M.A.	D.C.
6SC7	1.8	" "	" "
6J5	.5	" "	" "

AVERAGE VOLTAGE ACROSS CONDENSERS			
C-15	320	VOLTS	D.C.
C-14	20	"	" "
C-13	315	"	" "
C-12	290	"	" "
C-11	275	"	" "

AVERAGE FILAMENT VOLTAGE			
6L6G	6.3	VOLTS	A.C.
6SC7	6.3	"	" "
6J5	6.3	"	" "
FILAMENT VOLTAGES ARE 9.3 FOR ACCELERATED CATHODE HEATING WHEN FILAMENTS ARE COOL			
5Z3	5.	VOLTS	A.C.

SPEAKER FIELD RESISTANCE 5200 OHMS. VOICE COIL 8 OHMS
320 VOLTS D.C. BETWEEN TERMINALS 1 & 7 OF SPEAKER SOCKET.

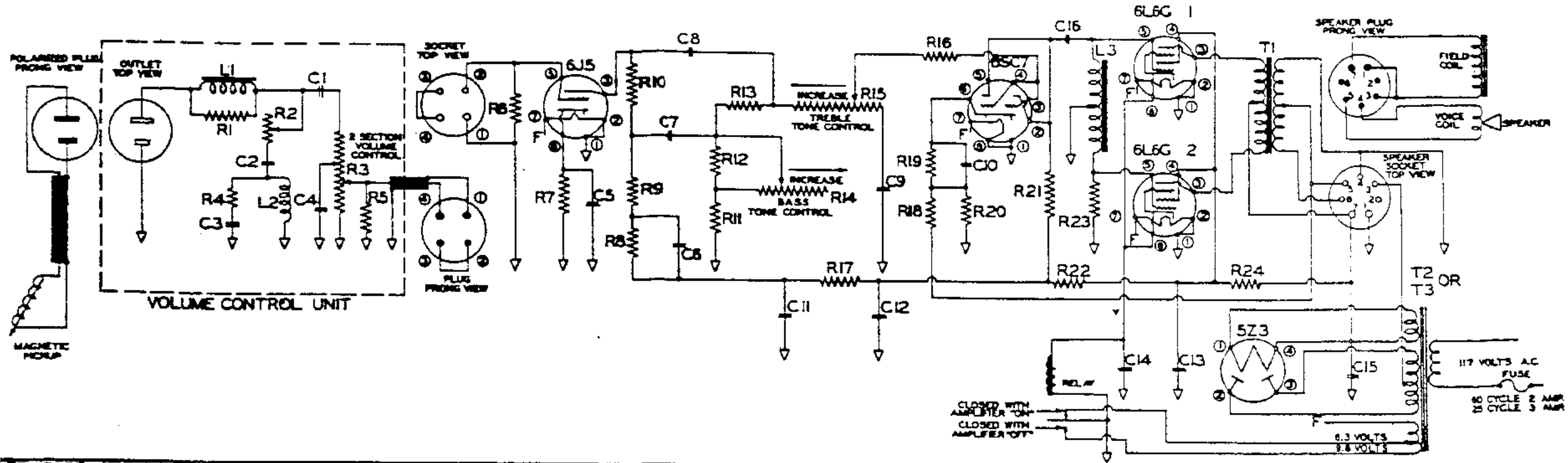


ITEM PART NO	VALUE	REMARKS	ITEM PART NO	VALUE	REMARKS	ITEM PART NO	VALUE	REMARKS	ITEM PART NO	VALUE	REMARKS
RESISTORS			RESISTORS			CONDENSERS			CONDENSERS		
R 1	10,000 OHMS	VOL. CON. REAR	R 17	36436	1,000,000 OHMS	TONE CON. BASS	C 1	22544	.5	MFD ±10%	200 WV
R 2	37052	4,000 OHMS	R 18	36325	1,200 OHMS	±0% 1/2 WATT	C 2	36320	.003	MFD ±10%	600 WV
R 3	150,000 OHMS	VOL. CON. PANEL	R 19	21938	100,000 OHMS	±0% 1/2 WATT	C 3	37053	.4	MFD ±10%	200 WV
R 4	30994	20,000 OHMS	R 20	21938	100,000 OHMS	±0% 1/2 WATT	C 4	25680	.008	MFD ±10%	600 WV
R 5	22538	3,000 OHMS ±5%	R 21	35924	560,000 OHMS	±10% 1/2 WATT	C 5	34126	.0025	MFD ±10%	200 WV
R 6	35924	560,000 OHMS ±10%	R 22	35925	82,000 OHMS	±0% 1/2 WATT	C 6	36432	20.	MFD	25 WV
R 7	36324	3,300 OHMS ±10%	R 23	35925	82,000 OHMS	±0% 1/2 WATT	C 7	36318	.00025	MFD ±10%	600 WV
R 8	20685	150,000 OHMS ±10%	R 24	36442	68,000 OHMS	±10% 1/2 WATT	C 8	31150	.25	MFD ±10%	200 WV
R 9	36443	6,800 OHMS ±10%	R 25	25574	15,000 OHMS	±10% 1 WATT	C 9	22850	.01	MFD ±10%	400 WV
R 10	36326	56,000 OHMS ±10%	R 26	36430	1,375 OHMS	FEEDER	C 10	35930	.0005	MFD ±10%	600 WV
R 11	36442	68,000 OHMS ±10%	R 27	36441	22,000 OHMS	±0% 1/2 WATT	C 11	36469	8.	MFD	350 WV
R 12	28383	1,000,000 OHMS ±10%	R 28	21200	0.000 OHMS	±0% 3 WATT	C 12	36431	.75	MFD ±10%	400 WV
R 13	36325	270,000 OHMS ±10%					C 13	22850	.01	MFD ±10%	400 WV
R 14	35924	560,000 OHMS ±10%					C 14	36431	.75	MFD ±10%	400 WV
R 15	36326	56,000 OHMS ±10%					C 15	35989	.006	MFD ±10%	1200 WV
R 16	36435	750,000 OHMS									

VOLTAGES & CURRENTS OF MODEL 700 AMPLIFIER ALL MEASUREMENTS MADE WITH LINE AT 117 VOLTS 25 OR 60 CYCLE
 ALL VOLTAGES MEASURED WITH 1000 OHMS PER VOLT VOLTMETER (ALL VOLTAGES OVER 50 USE 500 VOLT SCALE)

AVERAGE PLATE & SCREEN VOLTAGE MEASURED TO CHASSIS		AVERAGE PLATE CURRENT		AVERAGE DC VOLTAGES ACROSS CONDENSERS		AVERAGE FILAMENT VOLTAGES	
6L6G PLATE	390 VOLTS DC-SCRN 308 VOLTS DC	6L6G PLATE CURRENT	54. MA. DC.	C 22	396. VOLTS DC.	6L6G FILAMENT VOLTAGE	63 VOLTS A.C.
6SC7 PLATE	160 VOLTS DC	6SC7 PLATE CURRENT	.8 MA. DC.	C 21	307. VOLTS DC.	6SC7 FILAMENT VOLTAGE	63 VOLTS A.C.
6J5 PLATE	37 VOLTS DC.	6J5 PLATE CURRENT	.85 MA. DC.	C 20	23.5 VOLTS DC.	6J5 FILAMENT VOLTAGE	63 VOLTS A.C.
				C 19	248. VOLTS DC.	FIL. VOLTAGES ARE 9.8 VOLTS FOR ACCELERATED CATHODE HEATING WHEN FILS. ARE COOL	
				C 11	237. VOLTS DC.	5Z3 FILAMENT VOLTAGE 5. VOLTS A.C.	

SPEAKER FIELD RESISTANCE 5200 OHMS — 307 VOLTS D.C. BETWEEN TERMINALS 1 & 7 OF SPEAKER SOCKET



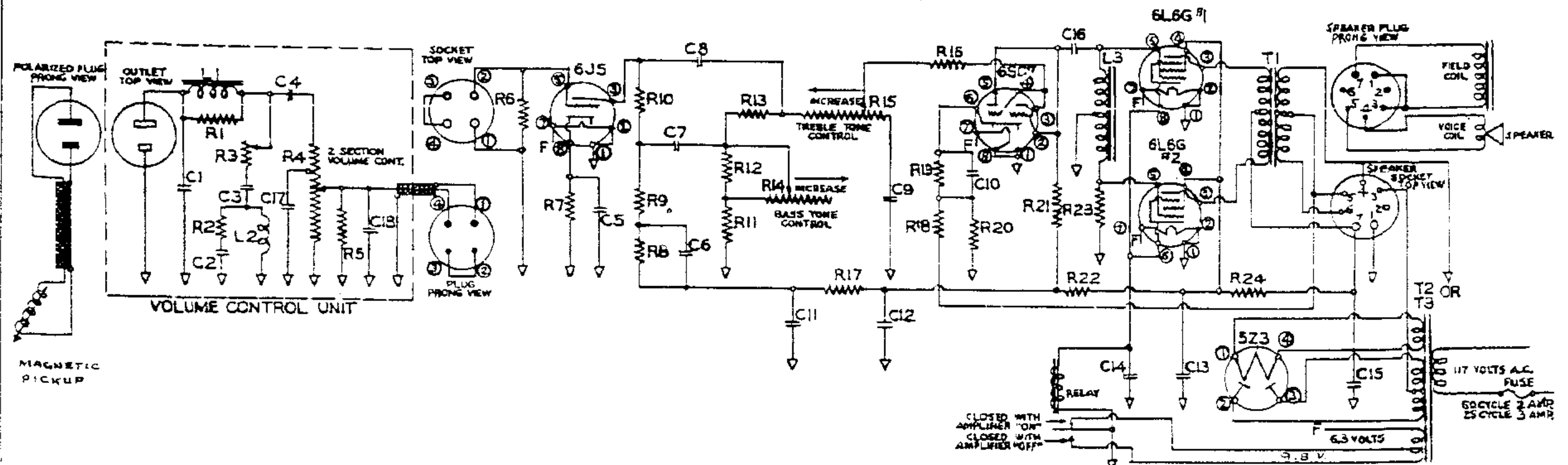
ITEMPART	VALUE	REMARKS	ITEMPART	VALUE	REMARKS	ITEMPART	VALUE	REMARKS	ITEMPART	VALUE	REMARKS
RESISTORS			RESISTORS			CONDENSERS			CONDENSERS		
R 1	40284	36000 OHMS ± 10% 1/4 WATT	R 16	37446	39000 OHMS ± 10% 1/4 WATT	C 1	22545	.03 MFD ± 10% 200 W.V.	C 16	38548	.25 MFD ± 10% 400 W.V.
R 2	40281	5000 " " " "	R 17	21200	10000 " " " "	C 2	28123	.3 " " " "			
R 3	40281	150000 " " " "	R 18	40229	5100 " " " "	C 3	28145	.005 " " " "			
R 4	22529	2000 " " " "	R 19	40225	910 " " " "	C 4	40283	.0035 " " " "	40144	130 OHMS	S.P.D.T.
R 5	20855	150000 " " " "	R 20	40224	130 " " " "	C 5	36432	.20 " " " "			
R 6	35924	560000 " " " "	R 21	36326	56000 " " " "	C 6	22545	.03 " " " "			
R 7	36324	3500 " " " "	R 22	37370	8200 " " " "	C 7	28145	.006 " " " "	L 1	37185	920 MH COIL
R 8	22524	22000 " " " "	R 23	35924	82000 " " " "	C 8	36440	.00075 " " " "	L 2	37051	475 MH COIL
R 9	37370	8200 " " " "	R 24	40223	100 " " " "	C 9	36440	.00075 " " " "	L 3	40145	INPUT CHORE
R 10	36441	22000 " " " "			C 10	36432	.20 " " " "				
R 11	37246	39000 " " " "			C 11	36469	.8 " " " "				
R 12	28383	1000000 " " " "			C 12	20	" " " "				
R 13	40225	33000 " " " "			C 13	40149	40 " " " "	T 1	40146	TRANSFORMERS	
R 14	40607	1000000 " " " "			C 14	20	" " " "	T 2	40147	50-60 CYCLE OUTPUT POWER	
R 15	40227	250000 " " " "			C 15	40150	50 " " " "	T 3	40243	25 CYCLE POWER	

VOLTAGES & CURRENTS OF MODELS 501 & 502 AMPLIFIERS ALL MEASUREMENTS MADE WITH LINE AT 117 VOLTS 25 OR 60 CYCLE
 ALL VOLTAGES MEASURED WITH 1000 OHMS PER VOLT VOLTMETER (ALL VOLTAGES OVER 50 USE 500 VOLT SCALE)

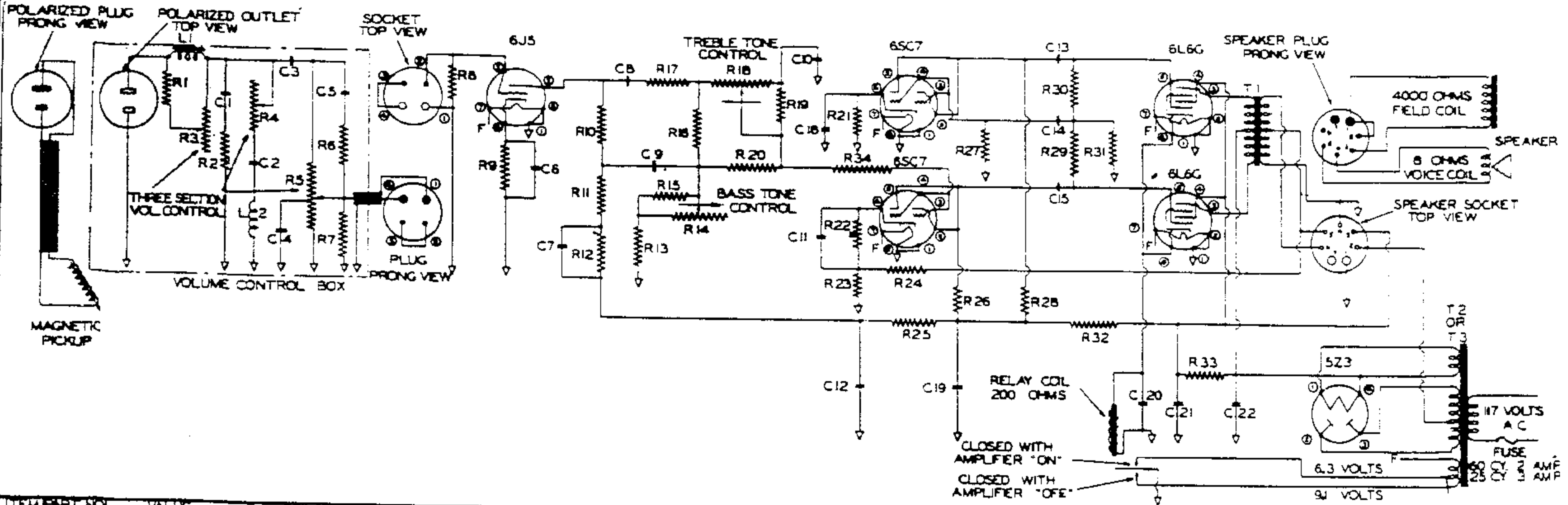
MEASURED TO CHASSIS		AVERAGE FILAMENT VOLTAGES	
AVERAGE PLATE & SCREEN VOLTAGE	AVERAGE PLATE CURRENT	AVERAGE VOLTAGE ACROSS CONDENSERS	
6L6G PLATE 310 VOLTS D.C.	6L6G 68 MA. D.C.	C 15	320 VOLTS D.C.
6L6G SCREEN 315 " " "	6SC7 1.8 " " "	C 14	20 " " "
6SC7 PLATE 170 " " "	6J5 .8 " " "	C 13	315 " " "
6J5 PLATE 0 " " "		C 12	290 " " "
		C 11	275 " " "

SPEAKER FIELD RESISTANCE 5200 OHMS-VOICE COIL 8 OHMS
 320 VOLTS D.C. BETWEEN TERMINALS 1 & 7 OF SPEAKER SOCKET

FIL. VOLTAGES ARE 9.8 FOR ACCELERATED CATHODE HEATING WHEN FILS. ARE COOL
 5Z3 5 VOLTS A.C.



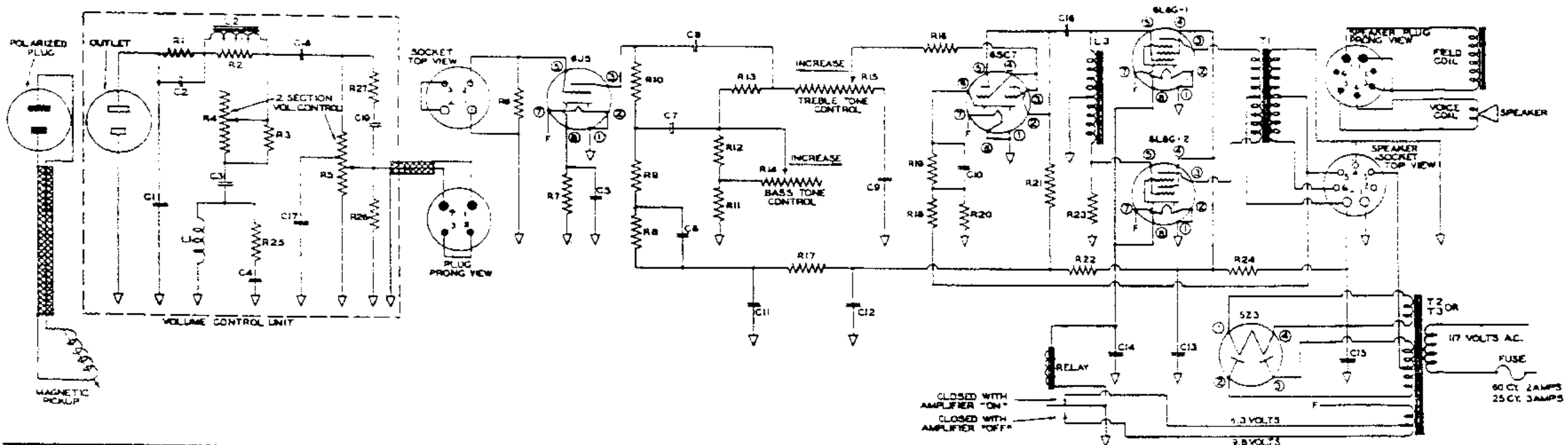
ITEM	PART #	VALUE	REMARKS	ITEM	PART #	VALUE	REMARKS	ITEM	PART #	VALUE	REMARKS	ITEM	PART #	VALUE	REMARKS
RESISTORS				RESISTORS				CONDENSERS				CONDENSERS			
R 1	40284	36000 OHMS	±10% 1/2 WATT	R 16	37446	39000 OHMS	±10% 1/2 WATT	C 1	36472	.001	MFD ±10% 600 WV	C 16	38548	.25	MFD ±10% 400 WV
R 2	22529	2000	±10% 1/2 "	R 17	21200	10000	±10% 1/2 "	C 2	25680	.008	±10% 600 "	C 17	23052	.005	±10% 600 "
R 3	40370	10000	" VOL CON REAR	R 18	40229	5100	±5% 1/2 "	C 3	28123	3	±10% 120 "	C 18	36472	.001	±10% 600 "
R 4	150000	"	" PANEL	R 19	40225	910	±5% 1/2 "	C 4	40407	.027	±10% 200 "	RELAY			
R 5	20855	150000	±10% 1/2 WATT	R 20	40224	130	±5% 1/2 "	C 5	36432	20	" 25 "	40144	130 OHMS	S.P.D.T.	
R 6	35929	560000	±10% 1/2 "	R 21	36326	56000	±10% 1/2 "	C 6	22545	.03	±10% 200 "	CHOKES			
R 7	36324	3300	±10% 1/2 "	R 22	37370	8200	±10% 1/2 "	C 7	28145	.006	±10% 600 "	L 1	37185	920 MH	COIL
R 8	22528	220000	±10% 1/2 "	R 23	35925	82000	±10% 1/2 "	C 8	36440	.00075	±10% 600 "	L 2	35917	400 MH	COIL
R 9	37370	8200	±10% 1/2 "	R 24	40223	100	±10% 1 "	C 9	36440	.00075	±10% 600 "	L 3	40145		INPUT CHOKE
R 10	36441	22000	±10% 1/2 "					C 10	36432	20	" 25 "	TRANSFORMERS:			
R 11	37446	39000	±10% 1/2 "					C 11	36469	8	" 350 "	T 1	40146		OUTPUT
R 12	38383	1000000	±10% 1/2 "					C 12	20	" 350 "	T 2	40147	50-60 CYCLE	POWER	
R 13	40226	33000	±10% 1/2 "					C 13	40149	40	" 400 "	T 3	40243	25 CYCLE	POWER
R 14	40607	1000000	" TONE CON BASS					C 14	20	" 25 "					
R 15	40227	250000	" TONE CON TREBLE					C 15	40150	50	" 400 "				
VOLTAGES & CURRENTS OF MODELS 501 & 502 AMPLIFIERS ALL MEASUREMENTS MADE WITH LINE AT 117 VOLTS 25 OR 60 CYCLE ALL VOLTAGES MEASURED WITH 1000 OHMS PER VOLT VOLTMETER (FOR ALL VOLTAGES OVER 50 USE 500 VOLT SCALE)															
AVERAGE PLATE & SCREEN VOLTAGE MEASURED TO CHASSIS				AVERAGE PLATE CURRENT				AVERAGE VOLTAGE ACROSS CONDENSERS				AVERAGE FILAMENT VOLTAGE			
6L6G PLATE 310 VOLTS D.C.				6L6G 68 MA. D.C.				C 15 320 VOLTS D.C.				6L6G 6.3 VOLTS A.C.			
6L6G SCREEN 315 " "				6SC7 1.8 " "				C 14 20 " "				6SC7 6.3 " "			
6SC7 PLATE 170 " "				6J5 .8 " "				C 13 315 " "				6J5 6.3 " "			
6J5 PLATE 70 " "								C 12 290 " "				FIL VOLTAGES ARE 9.8 FOR ACCELERATED			
								C 11 275 " "				CATHODE HEATING WHEN FILS ARE COOL			
SPEAKER FIELD RESISTANCE 5200 OHMS - VOICE COIL 8 OHMS 320 VOLTS D.C. BETWEEN TERMINALS 1 & 7 OF SPEAKER SOCKET															



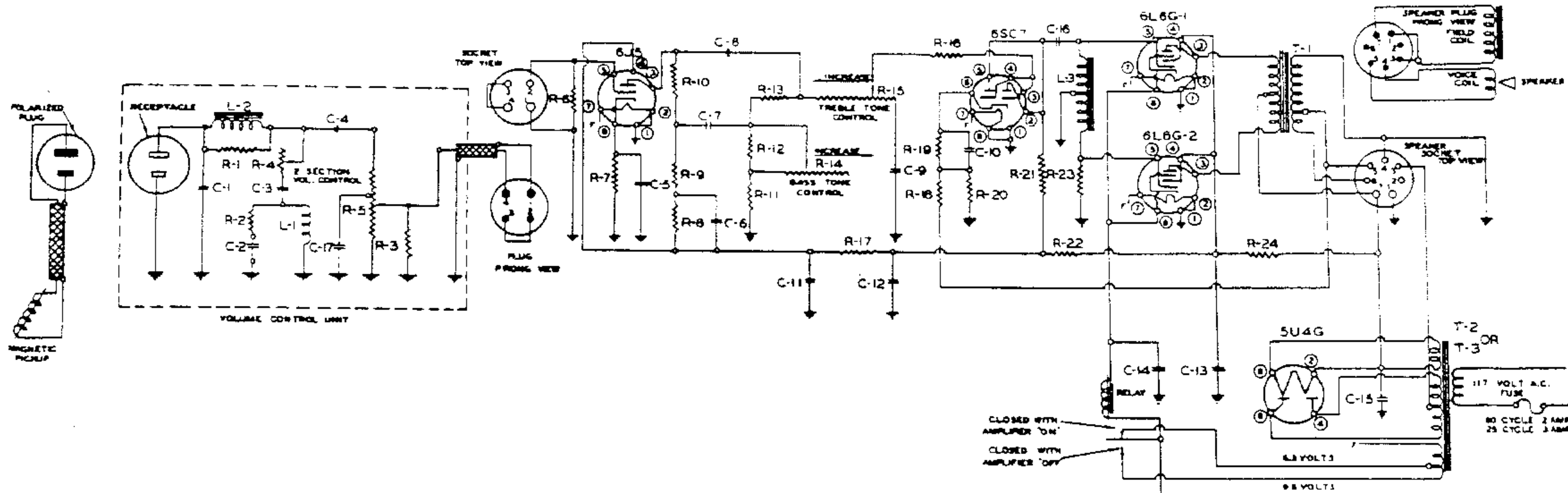
ITEM PART NO	VALUE	REMARKS	ITEM PART NO	VALUE	REMARKS	ITEM PART NO	VALUE	REMARKS	ITEM PART NO	VALUE	REMARKS	
R 1	36554	RESISTORS	R 18	36435	RESISTORS	C 1	28143	CONDENSERS	C 18	20	MFD	
R 2	25418	3900 OHMS ± 10% 1/2 WATT	R 19	28383	750000 OHMS ± 10% TONE CON. TREBLE 1/2 WATT	C 2	28123	.01 MFD ± 10% 200 WV	C 19	36439	20	MFD
R 3	15000	OHMS ± 10% 1/2 WATT	R 20	35923	1000000 OHMS ± 10% 1/2 WATT	C 3	22545	.03 MFD ± 10% 200 WV	C 20		20	MFD
R 4	37186	150000 OHMS VOL. CON. REAR ± 10% 1/2 WATT	R 21	35923	330000 OHMS ± 10% 1/2 WATT	C 4	36474	.0015 MFD ± 10% 500 WV	C 21		20	MFD
R 5	15000	OHMS ± 10% 1/2 WATT	R 22	36325	1200 OHMS ± 10% 1/2 WATT	C 5	36472	.001 MFD ± 10% 500 WV	C 22	36438	30	MFD
R 6	20835	150000 OHMS VOL. CON. PANEL ± 10% 1/2 WATT	R 23	37388	1200 OHMS ± 10% 1/2 WATT	C 6	36432	.001 MFD ± 10% 500 WV				
R 7	36323	270000 OHMS ± 10% 1/2 WATT	R 24	37388	220 OHMS ± 5% 1/2 WATT	C 7	22545	.03 MFD ± 10% 200 WV				
R 8	36324	270000 OHMS ± 10% 1/2 WATT	R 25	21200	5100 OHMS ± 5% 1 WATT	C 8	36440	.00075 MFD ± 10% 500 WV				
R 9	36324	560000 OHMS ± 10% 1/2 WATT	R 26	36326	10000 OHMS ± 10% 1/2 WATT	C 9	22850	.01 MFD ± 10% 400 WV				
R 10	21200	10000 OHMS ± 10% 1/2 WATT	R 27	35924	56000 OHMS ± 10% 1/2 WATT	C 10	36440	.00075 MFD ± 10% 500 WV				
R 11	36443	6800 OHMS ± 10% 1/2 WATT	R 28	36326	56000 OHMS ± 10% 1/2 WATT	C 11	36432	.00075 MFD ± 10% 500 WV				
R 12	22528	220000 OHMS ± 10% 1/2 WATT	R 29	35925	82000 OHMS ± 10% 1/2 WATT	C 12	36469	.00075 MFD ± 10% 500 WV				
R 13	32446	39000 OHMS ± 10% 1/2 WATT	R 30	35925	82000 OHMS ± 10% 1/2 WATT	C 13	36431	.075 MFD ± 10% 400 WV				
R 14	36438	100000 OHMS TONE CON. BASS ± 10% 1/2 WATT	R 31	36442	68000 OHMS ± 10% 1/2 WATT	C 14	22850	.01 MFD ± 10% 400 WV				
R 15	28383	1000000 OHMS ± 10% 1/2 WATT	R 32	36441	22000 OHMS ± 10% 1/2 WATT	C 15	36431	.075 MFD ± 10% 400 WV				
R 16	20835	150000 OHMS ± 10% 1/2 WATT	R 33	36786	150 OHMS BLEEDER							
R 17	35246	27000 OHMS ± 10% 1/2 WATT	R 34	37446	39000 OHMS ± 10% 1/2 WATT							

VOLTAGES & CURRENTS OF MODEL 800 AMPLIFIER		ALL MEASUREMENTS MADE WITH LINE AT 117 VOLTS 25 OR 60 CYCLE			
AVERAGE PLATE & SCREEN VOLTAGE MEASURED TO CHASSIS		AVERAGE PLATE CURRENT FOR ALL VOLTAGES OVER 50 USE 500 VOLT SCALE			
AVERAGE DC VOLTAGE ACROSS CONDENSERS		AVERAGE FILAMENT VOLTAGE			
6L6G PLATE	300 VOLTS DC	C 22	396 VOLTS DC	6L6G FILAMENT	6.3 VOLTS AC
6SC7 PLATE	150 VOLTS DC	C 21	307 VOLTS DC	6SC7 FILAMENT	6.3 VOLTS AC
6J5 PLATE	50 VOLTS DC	C 20	23.5 VOLTS DC	6J5 FILAMENT	6.3 VOLTS AC
		C 19	228 VOLTS DC	FILAMENT VOLTAGES ARE 9V FOR ACCELERATED CATHODE HEATING WHEN FILAMENTS ARE COOL	
		C 18	2 VOLTS DC	5Z3 FILAMENT	5 VOLTS AC
		C 12	218 VOLTS DC		
		C 11	2 VOLTS DC		
		C 6	2 VOLTS DC		

SPEAKER FIELD RESISTANCE 4000 OHMS 307 VOLTS DC BETWEEN TERMINALS 1 & 3 OF SPEAKER SOCKET



ITEM PART NO	VALUE	REMARKS	ITEM PART NO	VALUE	REMARKS	ITEM PART NO	VALUE	REMARKS	ITEM PART NO	VALUE	REMARKS																																																
RESISTORS			RESISTORS			CONDENSERS			CONDENSERS																																																		
R1	41351	2400 OHMS ± 10% 1/2 WATT	R18	40229	5100 OHMS ± 5% 1/2 WATT	C1	34126	0025 MFD ± 10% 500 WV	C18	22545	03 MFD ± 10% 200 WV																																																
R2	40284	35000 " ± 10% 1/2 "	R19	40225	910 " ± 5% 1/2 "	C2	24329	" ± 10% 200 "	C19	36472	001 " ± 10% 600 "																																																
R3	20287	15000 " ± 10% 1/2 "	R20	40224	30 " ± 5% 1/2 "	C3	37053	4 " ± 10% 200 "																																																			
R4	41338	10000 " VOL. CON. REAR	R21	36326	56000 " ± 10% 1/2 "	C4	22534	015 " ± 10% 200 "																																																			
R5	150000	" VOL. CON. PANEL	R22	37370	3200 " ± 10% 1/2 "	C5	36432	20 " ± 10% 25 "																																																			
R6	55924	560000 " ± 10% 1/2 WATT	R23	35925	82000 " ± 10% 1/2 "	C6	22545	03 " ± 10% 200 "																																																			
R7	36324	3300 " ± 10% 1/2 "	R24	40223	100 " ± 10% 1/2 "	C7	28145	006 " ± 10% 600 "																																																			
R8	22000	220000 " ± 10% 1/2 "	R25	41333	7500 " ± 10% 1/2 "	C8	36440	00075 " ± 10% 600 "																																																			
R9	37370	8200 " ± 10% 1/2 "	R26	20855	150000 " ± 10% 1/2 "	C9	36440	00075 " ± 10% 600 "																																																			
R10	36441	22000 " ± 10% 1/2 "	R27	41350	750000 " ± 10% 1/2 "	C10	36432	20 " ± 10% 25 "																																																			
R11	37446	39000 " ± 10% 1/2 "			C11	36469	8 " ± 10% 350 "																																																				
R12	25353	1000000 " ± 10% 1/2 "			C12		20 " ± 10% 350 "																																																				
R13	40226	33000 " ± 10% 1/2 "			C13		40 " ± 10% 400 "																																																				
R14	40607	1000000 " TONE CON. BASS			C14	40149	20 " ± 10% 25 "																																																				
R15	40227	250000 " ± 10% 1/2 WATT			C15	40150	50 " ± 10% 400 "																																																				
R16	37446	39000 " ± 10% 1/2 WATT			C16	38548	25 " ± 10% 400 "																																																				
R17	12200	10000 " ± 10% 1/2 "			C17	40283	0035 " ± 10% 600 "																																																				
<p>VOLTAGES & CURRENTS OF MODELS 501 & 502 AMPLIFIERS. ALL MEASUREMENTS MADE WITH LINE AT 117 VOLTS 25 OR 60 CYCLES ALL VOLTAGES MEASURED WITH 1000 OHMS PER VOLT VOLTME-TR FOR VOLTAGES OVER 50 USE 500 VOLT SCALE</p> <table border="1"> <thead> <tr> <th colspan="2">AVERAGE PLATE & SCREEN VOLTAGE MEASURED TO CHASSIS</th> <th colspan="2">AVERAGE PLATE CURRENT</th> <th colspan="2">AVERAGE VOLTAGE ACROSS CONDENSERS</th> <th colspan="2">AVERAGE FILAMENT VOLTAGE</th> </tr> </thead> <tbody> <tr> <td>6L6G</td> <td>PLATE 310 VOLTS D.C.</td> <td>6L6G</td> <td>68 MA D.C.</td> <td>C15</td> <td>320 VOLTS D.C.</td> <td>8L6G</td> <td>6.3 VOLTS A.C.</td> </tr> <tr> <td>6L6G</td> <td>SCREEN 315 " " "</td> <td>6SC7</td> <td>1.8 " " "</td> <td>C14</td> <td>20 " " "</td> <td>6SC7</td> <td>6.3 " " "</td> </tr> <tr> <td>6SC7</td> <td>PLATE 170 " " "</td> <td>6C5</td> <td>8 " " "</td> <td>C13</td> <td>315 " " "</td> <td>6C5</td> <td>5.3 " " "</td> </tr> <tr> <td>6C5</td> <td>PLATE 70 " " "</td> <td></td> <td></td> <td>C12</td> <td>290 " " "</td> <td colspan="2">FILAMENT VOLTAGES ARE 9.8 FOR ACCELERATED CATHODE HEATING WHEN FILAMENTS ARE COOL</td> </tr> <tr> <td></td> <td></td> <td></td> <td></td> <td>C11</td> <td>275 " " "</td> <td>5Z3</td> <td>5 VOLTS A.C.</td> </tr> </tbody> </table> <p>SPEAKER FIELD RESISTANCE 5200 OHMS VOICE COIL 8 OHMS 320 VOLTS D.C. BETWEEN TERMINALS 1 & 7 OF SPEAKER SOCKET</p>												AVERAGE PLATE & SCREEN VOLTAGE MEASURED TO CHASSIS		AVERAGE PLATE CURRENT		AVERAGE VOLTAGE ACROSS CONDENSERS		AVERAGE FILAMENT VOLTAGE		6L6G	PLATE 310 VOLTS D.C.	6L6G	68 MA D.C.	C15	320 VOLTS D.C.	8L6G	6.3 VOLTS A.C.	6L6G	SCREEN 315 " " "	6SC7	1.8 " " "	C14	20 " " "	6SC7	6.3 " " "	6SC7	PLATE 170 " " "	6C5	8 " " "	C13	315 " " "	6C5	5.3 " " "	6C5	PLATE 70 " " "			C12	290 " " "	FILAMENT VOLTAGES ARE 9.8 FOR ACCELERATED CATHODE HEATING WHEN FILAMENTS ARE COOL						C11	275 " " "	5Z3	5 VOLTS A.C.
AVERAGE PLATE & SCREEN VOLTAGE MEASURED TO CHASSIS		AVERAGE PLATE CURRENT		AVERAGE VOLTAGE ACROSS CONDENSERS		AVERAGE FILAMENT VOLTAGE																																																					
6L6G	PLATE 310 VOLTS D.C.	6L6G	68 MA D.C.	C15	320 VOLTS D.C.	8L6G	6.3 VOLTS A.C.																																																				
6L6G	SCREEN 315 " " "	6SC7	1.8 " " "	C14	20 " " "	6SC7	6.3 " " "																																																				
6SC7	PLATE 170 " " "	6C5	8 " " "	C13	315 " " "	6C5	5.3 " " "																																																				
6C5	PLATE 70 " " "			C12	290 " " "	FILAMENT VOLTAGES ARE 9.8 FOR ACCELERATED CATHODE HEATING WHEN FILAMENTS ARE COOL																																																					
				C11	275 " " "	5Z3	5 VOLTS A.C.																																																				



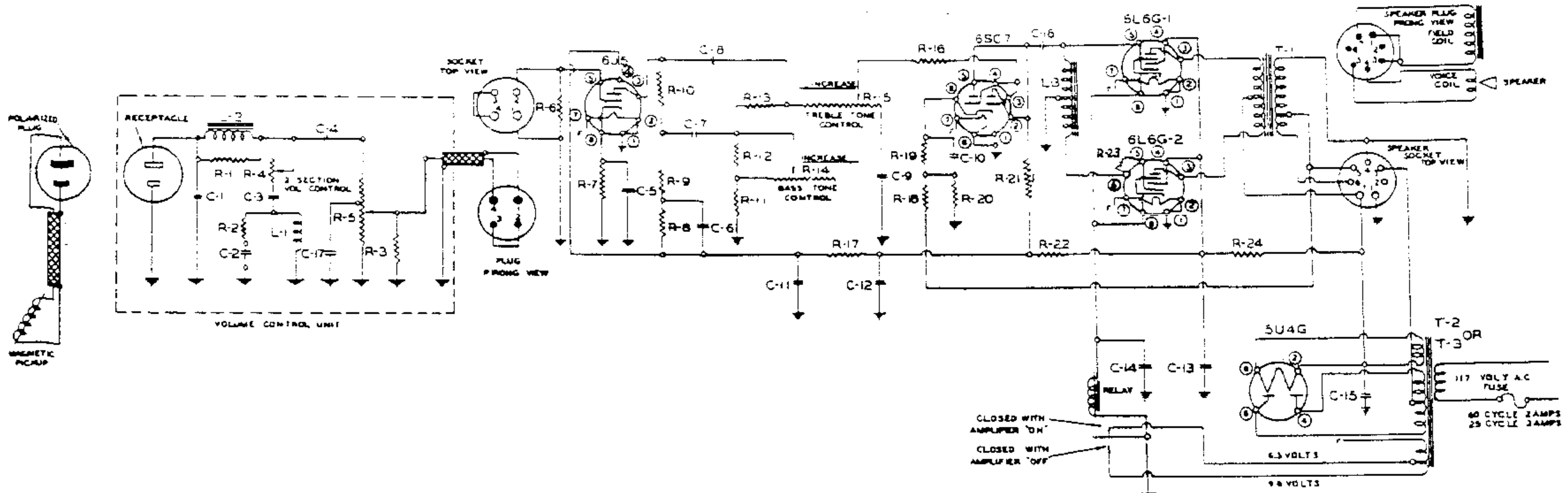
ITEM	PART NO.	VALUE	REMARKS	ITEM	PART NO.	VALUE	REMARKS	ITEM	PART NO.	VALUE	REMARKS
RESISTORS				RESISTORS				CONDENSERS			
R-1	48373	43000 OHMS ± 5% 1/2 WATT		R-16	37446	39000 OHMS ± 10% 1/2 WATT		C-1	36472	.001 MFD ± 10% 600 WV	
R-2	25418	1500 OHMS ± 10% 1/2 WATT		R-17	21200	10000 OHMS ± 10% 1/2 WATT		C-2	45776	.01 MFD ± 10% 600 WV	
R-3	20855	15000 OHMS ± 10% 1/2 WATT		R-18	40229	5100 OHMS ± 5% 1/2 WATT		C-3	28123	3 MFD ± 10% 120 WV	
R-4	45103	10000 OHMS VOL CON REAR		R-19	40225	910 OHMS ± 5% 1/2 WATT		C-4	45775	.02 MFD ± 10% 200 WV	
R-5	45103	15000 OHMS VOL CON FRONT		R-20	40224	130 OHMS ± 5% 1/2 WATT		C-5	36432	20 MFD ± 10% 25 WV	
R-6	35929	56000 OHMS ± 10% 1/2 WATT		R-21	36326	56000 OHMS ± 10% 1/2 WATT		C-6	22545	.03 MFD ± 10% 200 WV	
R-7	36324	3300 OHMS ± 10% 1/2 WATT		R-22	37370	8200 OHMS ± 10% 1/2 WATT		C-7	28145	.006 MFD ± 10% 500 WV	
R-8	22528	22000 OHMS ± 10% 1/2 WATT		R-23	35925	82000 OHMS ± 10% 1/2 WATT		C-8	36440	.00075 MFD ± 10% 500 WV	
R-9	37370	8200 OHMS ± 10% 1/2 WATT		R-24	40223	100 OHMS ± 10% 1 WATT		C-9	36440	.00075 MFD ± 10% 500 WV	
R-10	36441	22000 OHMS ± 10% 1/2 WATT						C-10	36432	20 MFD ± 10% 25 WV	
R-11	37446	39000 OHMS ± 10% 1/2 WATT						C-11	36489	8 MFD ± 10% 350 WV	
R-12	38383	100000 OHMS ± 10% 1/2 WATT						C-12	40149	20 MFD ± 10% 350 WV	
R-13	40226	33000 OHMS ± 10% 1/2 WATT						C-13	40149	40 MFD ± 10% 400 WV	
R-14	40607	100000 OHMS TONE CONTROL						C-14	40149	20 MFD ± 10% 25 WV	
R-15	46112	250000 OHMS TONE CONTROL						C-15	40150	50 MFD ± 50% 25 WV	

VOLTAGE & CURRENTS OF MODELS 503-504 AMPLIFIERS
 ALL VOLTAGES MEASURED WITH 1000 OHMS PER VOLT VOLTMETER
 ALL MEASUREMENTS MADE WITH LINE AT 117 VOLTS 25 OR 60 CYCLES
 FOR VOLTAGES OVER 50 USE 500 VOLT SCALE

AVERAGE PLATE & SCREEN VOLTAGE			AVERAGE PLATE CURRENT			AVERAGE VOLTAGE ACROSS CONDENSER			AVERAGE FILAMENT VOLTAGE		
TUBE	MEASURED TO CHASSIS	DC	TUBE	MA	DC	TUBE	VOLTS	DC	TUBE	VOLTS	AC
6L6G	PLATE	310 VOLTS DC	6L6G	6.8 MA	DC	C-15	320 VOLTS	DC	6L6G	6.3 VOLTS	AC
6L6G	SCREEN	315 VOLTS DC	6SC7	1.8 MA	DC	C-14	20 VOLTS	DC	6SC7	6.3 VOLTS	AC
6SC7	PLATE	170 VOLTS DC	6J5	1.8 MA	DC	C-13	315 VOLTS	DC	6J5	6.3 VOLTS	AC
6J5	PLATE	70 VOLTS DC				C-12	290 VOLTS	DC			
						C-11	275 VOLTS	DC			

SPEAKER FIELD RESISTANCE 5200 OHMS
 320 VOLTS DC BETWEEN TERMINALS 1 & 7 OF SPEAKER SOCKET
 VOICE COIL 8 OHMS

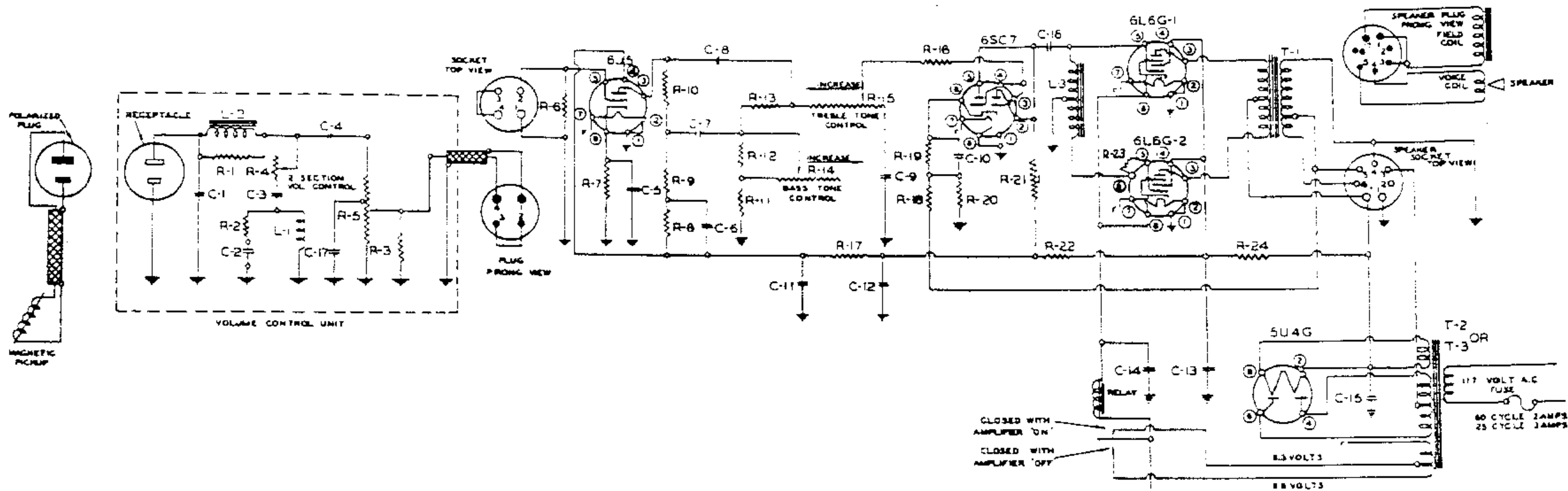
FILAMENT VOLTAGES ARE 9.5 FOR ACCELERATED
 CATHODE HEATING WHEN FILAMENTS ARE COOL
 5U4G 5 VOLTS AC



ITEM	PART NO	VALUE	REMARKS	ITEM	PART NO	VALUE	REMARKS	ITEM	PART NO	VALUE	REMARKS	ITEM	PART NO	VALUE	REMARKS
RESISTORS				RESISTORS				CONDENSERS				CONDENSERS			
R-1	46373	43000 OHMS	±5% 1/2 WATT	R-16	37446	39000 OHMS	±10% 1/2 WATT	C-1	36472	.001 MFD	±10% 500 WV	C-16	138548	25 MFD	±10% 400 WV
R-2	25418	1500 OHMS	±10% 1/2 WATT	R-17	21200	10000 OHMS	±10% 1/2 WATT	C-2	45776	.01 MFD	±10% 500 WV	C-17	28145	.005 MFD	±10% 500 WV
R-3	20855	50000 OHMS	±10% 1/2 WATT	R-18	40229	5100 OHMS	±5% 1/2 WATT	C-3	28123	.3 MFD	±10% 120 WV				
R-4	45103	10000 OHMS	VOL CON REAR	R-19	40225	910 OHMS	±5% 1/2 WATT	C-4	45775	.02 MFD	±10% 200 WV				
R-5	45103	150000 OHMS	VOL CON FRONT	R-20	40224	130 OHMS	±5% 1/2 WATT	C-5	36432	.20 MFD	±100% 10% 25 WV				
R-6	35929	563000 OHMS	±10% 1/2 WATT	R-21	36326	56000 OHMS	±10% 1/2 WATT	C-6	22545	.03 MFD	±10% 200 WV	L-1	35917	400 MH	COIL
R-7	36324	3300 OHMS	±10% 1/2 WATT	R-22	37370	8200 OHMS	±10% 1/2 WATT	C-7	28145	.005 MFD	±10% 500 WV	L-2	37185	920 MH	COIL
R-8	22526	220000 OHMS	±10% 1/2 WATT	R-23	35925	82000 OHMS	±10% 1/2 WATT	C-8	36440	.00075 MFD	±10% 500 WV	L-3	40145		INPUT CHOKE
R-9	37370	8200 OHMS	±10% 1/2 WATT	R-24	40223	100 OHMS	±10% 1 WATT	C-9	36440	.00075 MFD	±10% 500 WV				
R-10	36441	22000 OHMS	±10% 1/2 WATT					C-10	36432	.20 MFD	±100% 10% 25 WV	T-1	40146		OUTPUT
R-11	37446	39000 OHMS	±10% 1/2 WATT					C-11	36469	.8 MFD	±100% 10% 350 WV	T-2	40147	50-60 CYCLES	POWER (503)
R-12	38383	1000000 OHMS	±10% 1/2 WATT					C-12	40149	.20 MFD	±100% 10% 350 WV	T-3	40243	25 CYCLES	POWER (504)
R-13	40226	330000 OHMS	±10% 1/2 WATT					C-13	40149	.40 MFD	±100% 10% 400 WV				
R-14	40607	1000000 OHMS	±10% 1/2 WATT					C-14	40149	.20 MFD	±100% 10% 25 WV				
R-15	46112	250000 OHMS	±10% 1/2 WATT					C-15	40150	.50 MFD	±50% 10% 400 WV				

VOLTAGE & CURRENTS OF MODELS 503-504 AMPLIFIERS				ALL MEASUREMENTS MADE WITH LINE AT 117 VOLTS 25 OR 60 CYCLES				
ALL VOLTAGES MEASURED WITH 1000 OHMS PER VOLT VOLTMETER				FOR VOLTAGES OVER 50 USE 500 VOLT SCALE				
AVERAGE PLATE & SCREEN VOLTAGE		AVERAGE PLATE CURRENT		AVERAGE VOLTAGE ACROSS CONDENSER		AVERAGE FILAMENT VOLTAGE		
MEASURED	TO CHASSIS	6L6G	58 MA DC	C-15	320 VOLTS DC	6L6G	6.3 VOLTS AC	
6L6G	PLATE	310 VOLTS DC	6SC7	1.8 MA DC	C-14	20 VOLTS DC	6SC7	6.3 VOLTS AC
6L6G	SCREEN	315 VOLTS DC	6J5	.8 MA DC	C-13	315 VOLTS DC	6J5	6.3 VOLTS AC
6SC7	PLATE	170 VOLTS DC			C-12	290 VOLTS DC		
6J5	PLATE	70 VOLTS DC						
SPEAKER FIELD RESISTANCE 5200 OHMS				VOICE COIL 8 OHMS				
320 VOLTS DC BETWEEN				TERMINALS 1 & 7 OF SPEAKER SOCKET				
FILAMENT VOLTAGES ARE 9.5 FOR ACCELERATED CATHODE HEATING WHEN FILAMENTS ARE 200								
5U4G 5.0 VOLTS AC								

Note Later Model 503 Amplifier showing new wiring of Resistor R-23



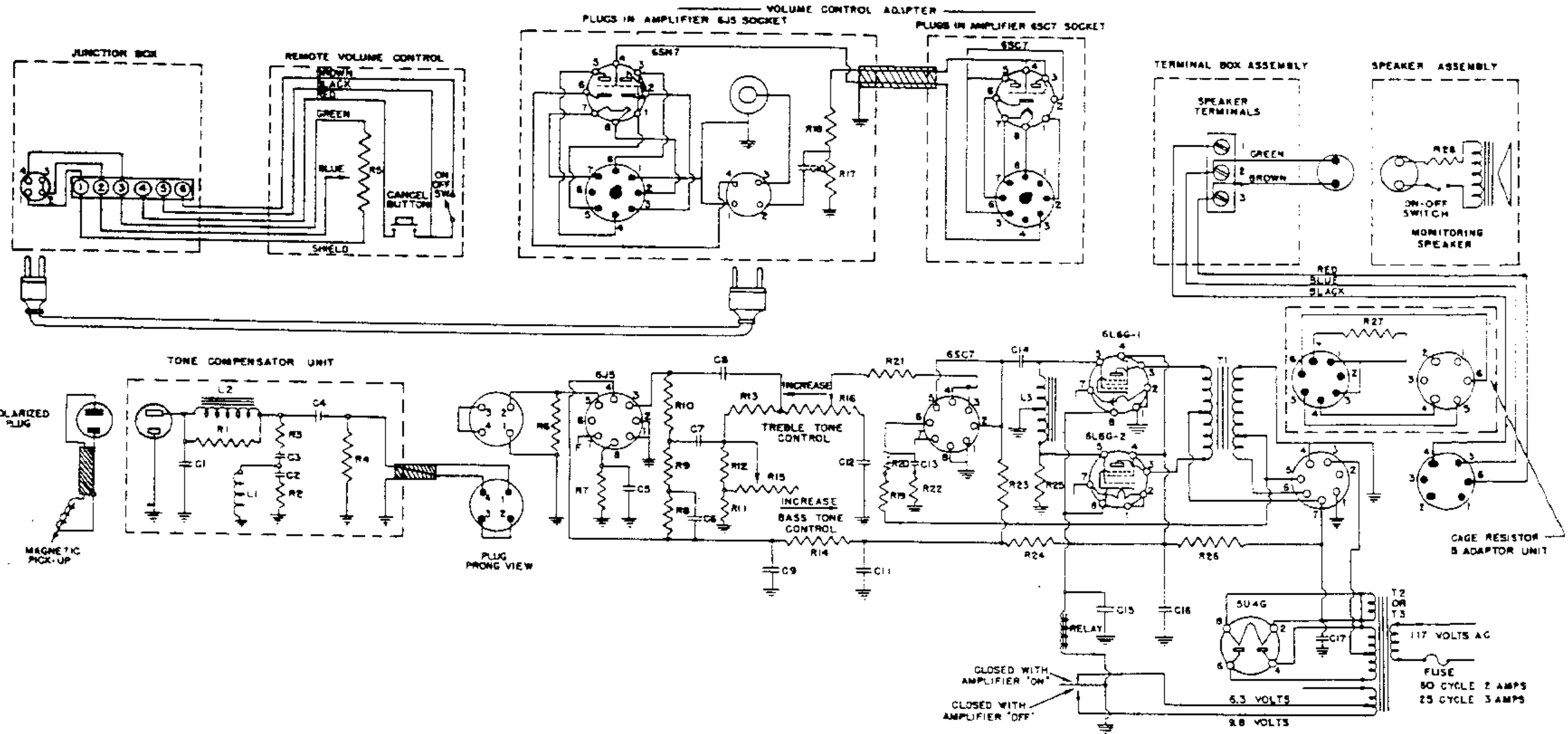
ITEM	PART NO.	VALUE	REMARKS	ITEM	PART NO.	VALUE	REMARKS	ITEM	PART NO.	VALUE	REMARKS	ITEM	PART NO.	VALUE	REMARKS
RESISTORS				RESISTORS				CONDENSERS				CONDENSERS			
R-1	46373	43000 OHMS ± 5%	1/2 WATT	R-16	37446	39000 OHMS ± 10%	1/2 WATT	C-1	36472	.001 MFD	± 10% 600 WV	C-6	38548	.25 MFD	± 10% 400 WV
R-2	25418	500 OHMS ± 10%	1/2 WATT	R-17	21200	10000 OHMS ± 10%	1/2 WATT	C-2	45776	.01 MFD	± 10% 500 WV	C-7	28145	.008 MFD	± 10% 600 WV
R-3	20855	15000 OHMS ± 10%	1/2 WATT	R-18	40229	5100 OHMS ± 5%	1/2 WATT	C-3	28123	.03 MFD	± 10% 120 WV	C-8	28145	.008 MFD	± 10% 600 WV
R-4	45103	10000 OHMS	VOL CON REAR	R-19	40225	910 OHMS ± 5%	1/2 WATT	C-4	45775	.02 MFD	± 10% 200 WV	C-9	36432	.20 MFD	± 100% 10% 25 WV
R-5	45103	150000 OHMS	VOL CON FRONT	R-20	40224	130 OHMS ± 5%	1/2 WATT	C-5	36432	.20 MFD	± 100% 10% 25 WV	C-10	36432	.20 MFD	± 10% 200 WV
R-6	35929	56000 OHMS ± 10%	1/2 WATT	R-21	36328	56000 OHMS ± 10%	1/2 WATT	C-6	22545	.03 MFD	± 10% 200 WV	C-11	28145	.008 MFD	± 10% 600 WV
R-7	36324	3300 OHMS ± 10%	1/2 WATT	R-22	37370	8200 OHMS ± 10%	1/2 WATT	C-7	28145	.008 MFD	± 10% 600 WV	C-12	40149	.40 MFD	± 100% 10% 400 WV
R-8	22528	22000 OHMS ± 10%	1/2 WATT	R-23	35925	82000 OHMS ± 10%	1/2 WATT	C-8	36440	.00075 MFD	± 10% 600 WV	C-13	40149	.40 MFD	± 100% 10% 400 WV
R-9	37370	820 OHMS ± 10%	1/2 WATT	R-24	40223	100 OHMS ± 10%	1 WATT	C-9	36440	.00075 MFD	± 10% 600 WV	C-14	40149	.20 MFD	± 100% 10% 25 WV
R-10	36441	22000 OHMS ± 10%	1/2 WATT					C-10	36432	.20 MFD	± 100% 10% 25 WV	C-15	40150	.50 MFD	± 50% 10% 400 WV
R-11	37426	39000 OHMS ± 10%	1/2 WATT					C-11	36469	.8 MFD	± 100% 10% 350 WV				
R-12	36383	100000 OHMS ± 10%	1/2 WATT					C-12	40149	.20 MFD	± 100% 10% 400 WV				
R-13	40226	33000 OHMS ± 10%	1/2 WATT					C-13	40149	.40 MFD	± 100% 10% 400 WV				
R-14	40807	100000 OHMS	STONE CON BASS					C-14	40149	.20 MFD	± 100% 10% 25 WV				
R-15	46112	250000 OHMS	ONE CONTROL					C-15	40150	.50 MFD	± 50% 10% 400 WV				

VOLTAGE & CURRENTS OF MODELS 503-504 AMPLIFIERS
ALL VOLTAGES MEASURED WITH 1000 OHMS PER VOLT VOLTMETER
ALL MEASUREMENTS MADE WITH LINE AT 117 VOLTS 25 OR 60 CYCLES
FOR VOLTAGES OVER 50 USE 500 VOLT SCALE

AVERAGE PLATE & SCREEN VOLTAGE				AVERAGE PLATE CURRENT				AVERAGE VOLTAGE ACROSS CONDENSER				AVERAGE FILAMENT VOLTAGE			
MEASURED TO CHASSIS	TUBE	VOLTS	D.C.	MA	D.C.	VOLTS	D.C.	VOLTS	D.C.	VOLTS	D.C.	VOLTS	A.C.		
6L6G PLATE	6L6G	310	D.C.	.88	D.C.	320	D.C.	55C7	1.8	D.C.	6.3	A.C.			
6L6G SCREEN	6L6G	315	D.C.			20	D.C.	5U4G	8	D.C.	6.3	A.C.			
6SC7 PLATE	6SC7	170	D.C.			315	D.C.				6.3	A.C.			
6SC7 SCREEN	6SC7	170	D.C.			290	D.C.				6.3	A.C.			
						2.5	D.C.				5	A.C.			

SPEAKER FIELD RESISTANCE 5200 OHMS
320 VOLTS D.C. BETWEEN TERMINALS 1 & 7 OF SPEAKER SOCKET
VOICE COIL 8 OHMS

Note Later Model 503 Amplifier showing new wiring of Resistor R-23



ITEM	PART NO.	VALUE	REMARKS	ITEM	PART NO.	VALUE	REMARKS	ITEM	PART NO.	VALUE	REMARKS	ITEM	PART NO.	VALUE	REMARKS
RESISTORS															
R1	37446	39000 OHMS	±10% 1/3 WATT	R12	36383	1000000 OHMS	±10% 1/3 WATT	R23	36326	56000 OHMS	±10% 1/3 WATT	C4	45775	02 MFD	±10% 200 W V
R2	25418	1500 OHMS		R13	40226	33000 OHMS		R24	37370	8200 OHMS	±10% 1/3 WATT	C5	36432	20 MFD	+100%-10% 25 W V
R3	20267	15000 OHMS		R14	21200	10000 OHMS		R25	37925	82000 OHMS	±10% 1/3 WATT	C6	22545	20 MFD	±10% 200 W V
R4	20835	150000 OHMS		R15	40607	1000000 OHMS		R26	40223	100 OHMS	±10% 1 WATT	C7	28143	006 MFD	±10% 600 W V
R5	46883	3000 OHMS	±20% VOL CONT	R16	46112	250000 OHMS	TONE CONTROL	R27	46998	3200 OHMS	±10% 25 WATT	C8	36440	00075 MFD	±10% 600 W V
R6	35923	56000 OHMS	±10% 1/3 WATT	R17	36323	270000 OHMS	±10% 1/3 WATT	R28	47979	10 OHMS	±10% 1 WATT	C9	36469	8 MFD	+100%-10% 350 W V
R7	36324	3300 OHMS		R18	35923	82000 OHMS	±10% 1/3 WATT					C10	22545	03 MFD	±10% 200 W V
R8	22328	220000 OHMS		R19	40229	5100 OHMS	±5% 1/2 WATT					C11	40149	20 MFD	+100%-10% 350 W V
R9	37370	8200 OHMS		R20	40223	910 OHMS	±5% 1/3 WATT					C12	36440	00075 MFD	±10% 600 W V
R10	36441	22000 OHMS		R21	37446	39000 OHMS	±10% 1/3 WATT					C13	36432	20 MFD	+100%-10% 25 W V
R11	37446	39000 OHMS		R22	40224	130 OHMS	±5% 1/3 WATT					C14	36548	25 MFD	±10% 400 W V
CONDENSERS															

AVERAGE PLATE & SCREEN VOLTAGE				AVERAGE PLATE CURRENT				AVERAGE VOLTAGE ACROSS CONDENSER				AVERAGE FILAMENT VOLTAGE			
6L6G	PLATE	310	VOLTS DC	6L6G	68	MA	DC	C15	320	VOLTS	DC	6L6G	6.3	VOLTS	AC
6L6G	SCREEN	315	VOLTS DC	6SC7	18	MA	DC	C14	20	VOLTS	DC	6SC7	6.3	VOLTS	AC
6SC7	PLATE	170	VOLTS DC	6SN7	MA	DC		C13	315	VOLTS	DC	6SN7	6.3	VOLTS	AC
6SN7	PLATE		DC					C12	290	VOLTS	DC	FILAMENT VOLTAGES ARE 9.8 FOR ACCELERATED			
6.3	PLATE	70	VOLTS DC					C11		VOLTS	DC	CATHOD HEATING WHEN FILAMENTS ARE COOL			
												5U4G	5	VOLTS	AC

ITEM	PART NO.	VALUE	REMARKS	ITEM	PART NO.	VALUE	REMARKS
RESISTORS				CAPACITORS			
R-1	72264-41	1,000,000	OHMS - 5% 1/2 WATT	C-1	50042	50	MMFD - 2% 500 W.V.
R-2	72377-11	51,000	" - 5% 1 "	C-2	50042	50	" - 2% 500 " "
R-3	72-89-11	51,000	" - 5% 1/3 "	C-3	73033-24	.1	MFD -10% 400 " "
R-4	72240-41	100,000	" - 5% 1/2 "	C-4	73016-64	.02	" -30%-10% 400 " "
R-5	72240-42	100,000	" -10% 1/2 "	C-5	50041	100	MMFD -10% 500 " "
R-6	72256-42	470,000	" -10% 1/2 "	C-6	73014-64	.01	MFD -30%-10% 400 " "
R-7	72058-12	2,700	" -10% 1/3 "	C-7	49857	20	" 100%-10% 25 " "
R-8	72130-12	2,700,000	" -10% 1/3 "	C-8		20	" 100%-10% 400 " "
R-9	72064-12	4,700	" -10% 1/3 "	C-9	73346	10	" 100%-10% 450 " "
R-10	72-64-12	4,700	" -10% 1/3 "	C-10		10	" 100%-10% 450 " "
R-11	72084-12	33,000	" -10% 1/3 "	C-11	73013-66	.008	" 30%-10% 600 " "
R-12	72060-12	3,300	" -10% 1/3 "	C-12	73099-220	.5	" -10% 400 " "
R-13	72072-12	10,000	" -10% 1/3 "	C-13	73009-26	.004	" -10% 600 " "
R-14	72090-12	56,000	" -10% 1/3 "	C-14	73033-22	.1	" -10% 200 " "
R-15	72240-31	100,000	" - 5% 1/2 "	C-15	73289-450	8	" 50%-10% 400 " "
R-16	72114-12	560,000	" -10% 1/3 "	C-16	73033-62	.1	" 30%-10% 200 " "
R-17	72260-31	680,000	" - 5% 1/2 "	C-17	73004-26	.001	" -10% 600 " "
R-18	72240-31	100,000	" - 5% 1/2 "	C-18	73099-640	.5	" 30%-10% 400 " "
R-19	72260-31	680,000	" - 5% 1/2 "	C-19	73014-64	.01	" 30%-10% 400 " "
R-20	72120-12	1,000,000	" -10% 1/3 "	C-20	73020-64	.05	" 30%-10% 400 " "
R-21	72072-12	10,000	" -10% 1/3 "	C-21	73014-64	.01	" 30%-10% 400 " "
R-22	72244-31	150,000	" - 5% 1/2 "	C-22	73003-26	.00075	MFD -10% 600 " "
R-23	72106-12	270,000	" -10% 1/3 "	C-23	73293-210	20	MFD 150%-10% 25 " "
R-24	72114-12	560,000	" -10% 1/3 "	C-24		20	" 100%-10% 400 " "
R-25	40227	250,000	" TONE CONTROL	D-25	49910	40	" 100%-10% 400 " "
R-26	72048-12	1,000	" -10% 1/3 WATT	C-26		20	" 100%-10% 25 " "
R-27	72204-31	3,300	" - 5% 1/2 "	C-27	73014-64	.01	" 30%-10% 400 " "
R-28	72100-12	150,000	" -10% 1/3 "	C-28	73002-26	.0005	" -10% 600 " "
R-29	72080-12	22,000	" -10% 1/3 "	C-29	73093-640	.1	" 30%-10% 400 " "
R-30	72114-12	560,000	" -10% 1/3 "	C-30	73093-640	.1	" 30%-10% 400 " "
R-31	72050-12	1,200	" -10% 1/3 "	C-31	73014-22	.01	" -10% 200 " "
R-32	72066-12	5,600	" -10% 1/3 "	C-32	40150	50	" 50%-10% 400 " "
R-33	72072-12	10,000	" -10% 1/3 "	TRANSFORMERS			
R-34	50386	50,000	" VOLUME CONTROL	T-1	47007		OUTPUT
R-35	50386	2,300	" VOLUME CONTROL	T-2	47023	50-60	CYCLE POWER 227
R-36	72096-12	100,000	" -10% 1/3 WATT	T-3	51219	25	" POWER 228
R-37	72096-12	100,000	" -10% 1/3 "	CHOKES			
R-38	72080-12	22,000	" -10% 1/3 "	L-1	49856		OSCILLATOR COIL
R-39	72240-31	100,000	" - 5% 1/2 "	L-2	50395	70	HENRIES
R-40	72306-12	56	" -10% 1 "	L-3	50538	155	"
R-41	72312-12	100-	" -10% 1 "				
R-42	72907-2	15,000	" -10% 20 "				
R-43							

THE RUDOLPH WURLITZER CO.

WURLITZER PA PAGE 1-41
MODEL 1017A

THE RUDOLPH WURLITZER CO.

		RELAYS			
50385	130 OHMS	SPDT			
40144	130 "	SPDT	OPTIONAL		
48867	130 "	SPDT			
50189	140 MMFD 10%-0%		EXTENSION CABLE		

VOLTAGE & CURRENTS OF MODELS 227 & 228 AMPLIFIERS. ALL VOLTAGES MEASURED WITH 1000 OHMS PER VOLT VOLTMETER.

ALL MEASUREMENTS MADE WITH LINE AT 117 VOLTS 25 OR 60 CYCLE FOR VOLTAGES OVER 50 USE 500 VOLT SCALE

PRE-AMPLIFIER VOLTAGES TO BE READ WITH VOLTOHMYST JUNIOR OR EQUIVALENT

AVERAGE PLATE & SCREEN VOLTAGE MEASURED TO CHASSIS

6L6G	PLATE	300 VOLTS	D.C.
6L6G	SCREEN	305 VOLTS	D.C.
6SN7	PLATE PIN 5	190 VOLTS	D.C.
6SN7	PLATE PIN 2	80 VOLTS	D.C.
6SJ7	PLATE	80 VOLTS	D.C.
6SJ7	SCREEN	20 VOLTS	D.C.
6J5	PLATE	165 VOLTS	D.C.

AVERAGE PLATE & SCREEN CURRENT

6L6G	PLATE	680 M.A.	D.C.
6L6G	SCREEN	2.7 M.A.	D.C.
6SN7	PLATE PIN 5	3.4 M.A.	D.C.
6SN7	PLATE PIN 2	1.1 M.A.	D.C.
6SJ7	PLATE	0.6 M.A.	D.C.
6SJ7	SCREEN	0.2 M.A.	D.C.
6J5	PLATE	2.4 M.A.	D.C.

AVERAGE VOLTAGE ACROSS CONDENSER

G-32	305 VOLTS	D.C.
G-26	20 VOLTS	D.C.
G-25	305 VOLTS	D.C.
G-24	270 VOLTS	D.C.
G-15	255 VOLTS	D.C.
G-10	280 VOLTS	D.C.
G-9	165 VOLTS	D.C.

AVERAGE FILAMENT VOLTAGE

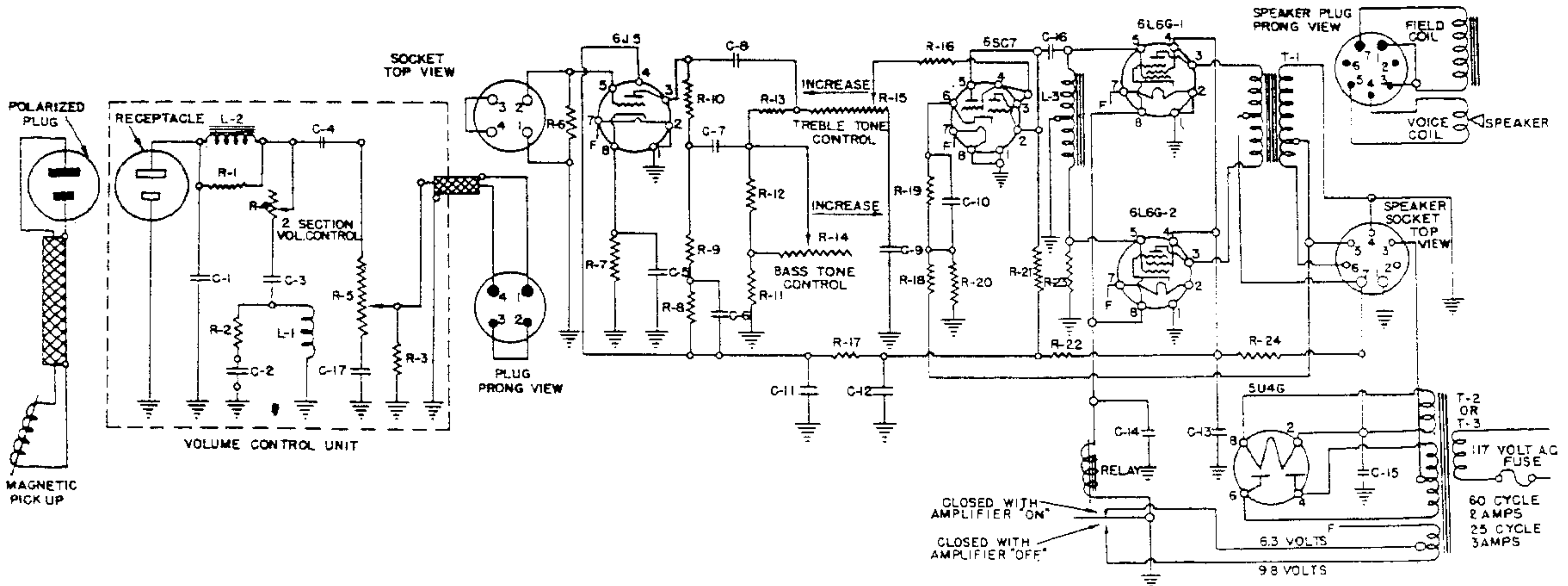
6L6G	6.3 VOLTS	A.C.
6SN7	6.3 VOLTS	A.C.
6SJ7	6.3 VOLTS	A.C.
6J5	6.3 VOLTS	A.C.

FILAMENT VOLTAGES ARE 99 FOR ACCELERATED CATHODE HEATING WHEN FILAMENTS ARE COOL 50V_{1G} 50 VOLTS A.C.

AVERAGE VOLTAGE ACROSS CONDENSER

	OR RESISTOR	
G-7	4.0 VOLTS	D.C.
G-8	255 VOLTS	D.C.
R-1	5.0 VOLTS	D.C.

AVERAGE FILAMENT VOLTAGE	6.3 VOLTS	A.C.
6SN7		

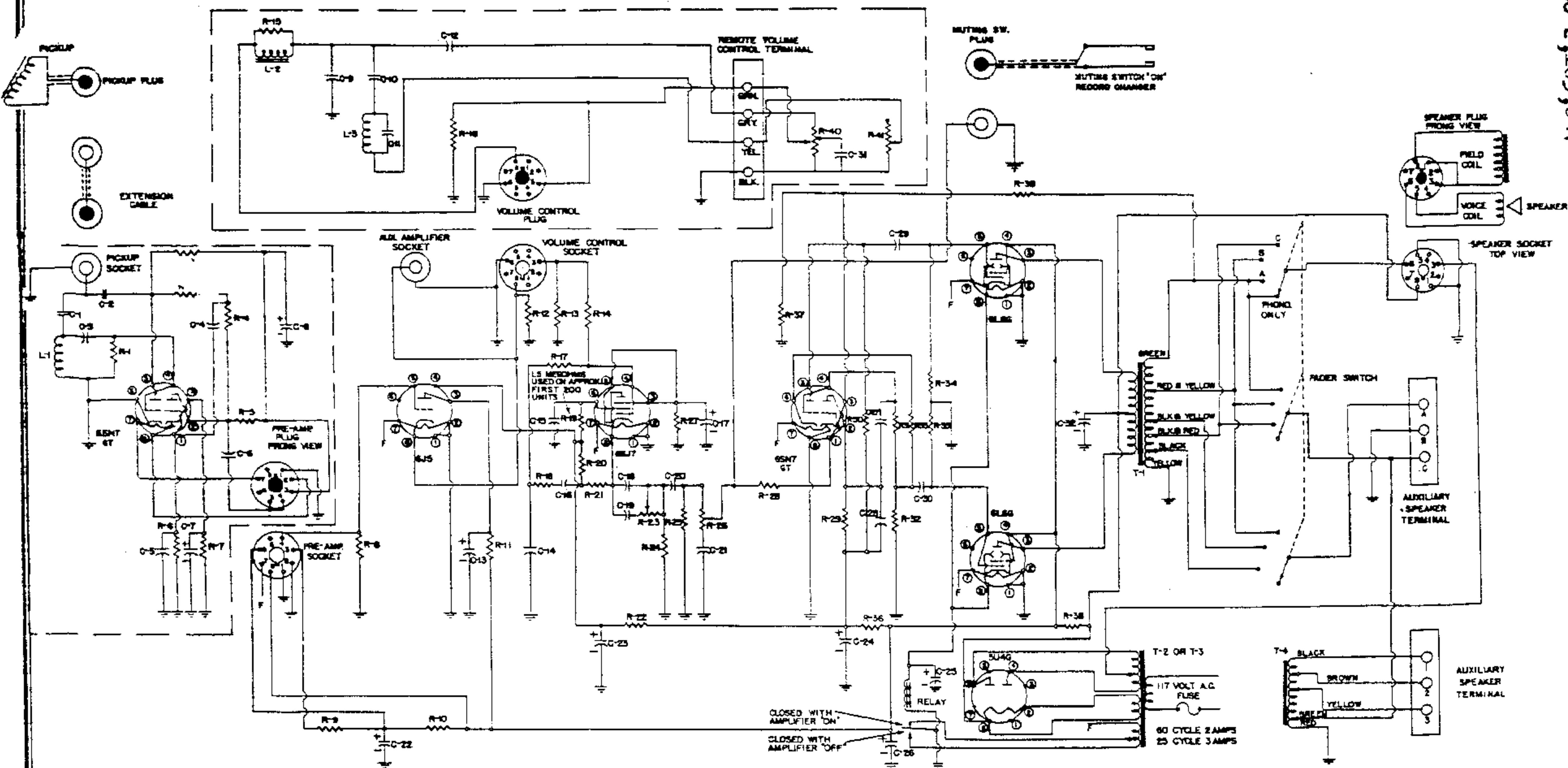


ITEM	PART NO.	VALUE	REMARKS	ITEM	PART NO.	VALUE	REMARKS	ITEM	PART NO.	VALUE	REMARKS	ITEM	PART NO.	VALUE	REMARKS
RESISTORS				RESISTORS				CONDENSERS				CONDENSERS			
R-1	46373	43000 OHMS	±5% 1/3 WATT	R-16	37446	39000 OHMS	±10% 1/3 WATT	C-1	36472	.001 MFD	±10% 600 W.V.	C-16	38548	25 MFD	±10% 400W.V.
R-2	25418	1500 OHMS	±10% 1/3 WATT	R-17	21200	10000 OHMS	±10% 1/3 WATT	C-2	45776	.01 MFD	±10% 600 W.V.	C-17	28145	.006 MFD	±10% 600W.V.
R-3	20855	150000 OHMS	±10% 1/3 WATT	R-18	40229	5100 OHMS	±5% 1/2 WATT	C-3	28123	.3 MFD	±10% 120 W.V.				
R-4	45103	10000 OHMS	VOL CON REAR	R-19	40225	910 OHMS	±5% 1/3 WATT	C-4	45775	.02 MFD	±10% 200 W.V.				
R-5	45103	150000 OHMS	VOL CON FRONT	R-20	40224	130 OHMS	±5% 1/3 WATT	C-5	36432	20. MFD	±100%-10% 25 W.V.				
R-6	35929	560000 OHMS	±10% 1/3 WATT	R-21	36326	56000 OHMS	±10% 1/3 WATT	C-6	22545	.03 MFD	±10% 200 W.V.	L-1	35917	400 MH	COIL
R-7	36324	3300 OHMS	±10% 1/3 WATT	R-22	37370	8200 OHMS	±10% 1/3 WATT	C-7	28145	.006 MFD	±10% 600 W.V.	L-2	37185	920 MH	COIL
R-8	13916	220000 OHMS	±10% 1/2 WATT	R-23	35925	82000 OHMS	±10% 1/3 WATT	C-8	36440	.00075 MFD	±10% 600 W.V.	L-3	40145		INPUT CHOKE
R-9	37370	8200 OHMS	±10% 1/3 WATT	R-24	40223	100 OHMS	±10% 1 WATT	C-9	36440	.00075 MFD	±10% 600 W.V.				
R-10	36441	22000 OHMS	±10% 1/3 WATT					C-10	36432	20. MFD	±100%-10% 25 W.V.	T-1	40146		TRANSFORMERS
R-11	37446	39000 OHMS	±10% 1/3 WATT					C-11	36469	8 MFD	±100%-10% 350W.V.	T-2	40147	50-60 CYCLES	POWER (503)
R-12	38383	1000000 OHMS	±10% 1/3 WATT					C-12	40149	20. MFD	±100%-10% 350W.V.	T-3	40243	25 CYCLES	POWER (504)
R-13	40226	33000 OHMS	±10% 1/3 WATT	RELAY				C-13	40149	40. MFD	±100%-10% 400W.V.				
R-14	40607	1000000 OHMS	TONE CON BASS	40144	130 OHMS	SPDT		C-14	40149	20. MFD	±100%-10% 25 W.V.				
R-15	46112	250000 OHMS	TONE CON TREBLE					C-15	40150	50 MFD	±50%-10% 400W.V.				

AVERAGE PLATE & SCREEN VOLTAGE				AVERAGE PLATE CURRENT				AVERAGE VOLTAGE ACROSS CONDENSER				AVERAGE FILAMENT VOLTAGE			
MEASURED TO CHASSIS				6L6G 68				C-15 320				6L6G 63			
6L6G	PLATE	310	VOLTS DC	6SC7	1.8	MA	DC	C-14	20	VOLTS DC	DC	6SC7	6.3	VOLTS AC	
6L6G	SCREEN	315	VOLTS DC	6J5	8	MA	DC	C-13	315	VOLTS DC	DC	6J5	6.3	VOLTS AC	
6SC7	PLATE	170	VOLTS DC					C-12	290	VOLTS DC	DC	FILAMENT VOLTAGES ARE 9.8 FOR ACCELERATED			
6J5	PLATE	70	VOLTS DC					C-11	275	VOLTS DC	DC	CATHODE HEATING WHEN FILAMENTS ARE COOL			
												5 5U4G 5 VOLTS AC			

SPEAKER FIELD RESISTANCE 5200 OHMS VOICE COIL 8 OHMS
320 VOLTS D.C. BETWEEN TERMINALS 1 & 7 OF SPEAKER SOCKET

©John F. Rider



ITEM	PART NO.	VALUE	REMARKS	ITEM	PART NO.	VALUE	REMARKS
RESISTORS				CAPACITORS			
R-1	72264-41	1,000,000 OHMS	- 5% 1/2 WATT	C-1	50042	50. MMFD	- 2% 500 WV
R-2	72377-11	51,000 "	- 5% 1 "	C-2	50042	50. "	- 2% 500 WV
R-3	72089-11	51,000 "	- 5% 1/3 "	C-3	73033-24	.1 MFD	-10% 400 WV
R-4	72240-41	100,000 "	- 5% 1/2 "	C-4	73016-64	.02 "	30% -10% 400 WV
R-5	72240-42	100,000 "	-10% 1/2 "	C-5	50041	100. MMFD	-10% 500 WV
R-6	72256-42	470,000 "	-10% 1/2 "	C-6	73014-64	.01 MFD	30% -10% 400 WV
R-7	72058-12	2,700 "	-10% 1/3 "	C-7	49857	20. "	100% -10% 25 WV
R-8	72130-12	2,700,000 "	-10% 1/3 "	C-8		20. "	100% -10% 400 WV
R-9	72068-12	6,800 "	-10% 1/3 "	C-9	73010-26	.005 "	-10% 600 WV
R-10	72068-12	6,300 "	-10% 1/3 "	C-10	73099-220	.5 "	-10% 200 WV
R-11	72090-12	56,000 "	-10% 1/3 "	C-11	73014-22	.01 "	-10% 200 WV
R-12	72060-12	3,300 "	-10% 1/3 "	C-12	73033-22	.1 "	-10% 200 WV
R-13	72114-12	560,000 "	-10% 1/3 "	C-13	73289-480	8. "	50% -10% 400 WV
R-14	72240-31	100,000 "	- 5% 1/2 "	C-14	73004-26	.001 "	-10% 600 WV
R-15	72072-12	10,000 "	-10% 1/3 "	C-15	73099-640	.5 "	30% -10% 400 WV
R-16	72090-12	56,000 "	-10% 1/3 "	C-16	73014-64	.01 "	30% -10% 400 WV
R-17	72260-31	680,000 "	- 5% 1/2 "	C-17	73293-210	20. "	150% -10% 25 WV
R-18	72260-31	680,000 "	- 5% 1/2 "	C-18	73004-26	.001 "	-10% 600 WV
R-19	72120-12	1,000,000 "	-10% 1/3 "	C-19	73020-64	.05 "	30% -10% 400 WV
R-20	72240-31	100,000 "	- 5% 1/2 "	C-20	73014-64	.01 "	30% -10% 400 WV
R-21	72244-31	150,000 "	- 5% 1/2 "	C-21	73003-26	.00075 "	-10% 600 WV
R-22	72072-12	10,000 "	-10% 1/3 "	C-22	49919	10. "	100% -10% 400 WV
R-23	49789	1,000,000 "	TONE CONT BASS	C-23		10. "	100% -10% 400 WV
R-24	72106-12	270,000 "	-10% 1/3 WATT	C-24		20. "	100% -10% 25 WV
R-25	72114-12	560,000 "	-10% 1/3 "	C-25	49910	20. "	100% -10% 25 WV
R-26	40227	250,000 "	TONE CONT TREBLE	C-26		40. "	100% -10% 400 WV
R-27	72048-12	1,000 "	-10% 1/3 WATT	C-27	73014-64	.01 "	30% -10% 400 WV
R-28	72090-12	56,000 "	-10% 1/3 "	C-28	73390	.0002 "	-20% 500 WV
R-29	72100-12	150,000 "	-10% 1/3 "	C-29	73093-640	.1 "	-30% -10% 400 WV
R-30	72080-12	22,000 "	-10% 1/3 "	C-30	73093-640	.1 "	30% -10% 400 WV
R-31	72114-12	560,000 "	-10% 1/3 "	C-31	73014-22	.01 "	-10% 200 WV
R-32	72080-12	22,000 "	-10% 1/3 "	C-32	40150	50. "	-50% -10% 400 WV
R-33	72050-12	1,200 "	-10% 1/3 "				
R-34	72096-12	100,000 "	-10% 1/3 "				
R-35	72096-12	100,000 "	-10% 1/3 "				
R-36	72066-12	5,600 "	-10% 1/3 "				
R-37	72204-31	3,300 "	- 5% 1/2 "				
R-38	72312-12	100 "	-10% 1 "				
R-39	72229-31	36,000 "	- 5% 1/2 "				
R-40	50386	50,000 "	VOLUME CONTROL				
R-41	50386	2,300 "	" "				

50189 140 MMFD 10% -0% EXTENSION CABLE

TRANSFORMERS

T-1	49788		OUTPUT
T-2	49621	50-60 CYCLE	POWER 506
T-3	50832	25 "	" 507
T-4	49579		MATCHING

THE RUDOLPH WURLITZER CO. MODEL 1100, SERIAL 2,100,001 to 2,103,847

L-1 49856
L-2 50395
L-3 50538

CHOKES

7. HENRIES
.155 "

OSCILLATOR COIL

50385 130 RELAYS
40144 130 OHMS
48867 130 " "

S.P.D.T.
" " OPTIONAL

VOLTAGE AND CURRENTS OF MODELS 506 & 507 AMPLIFIERS
ALL VOLTAGES MEASURED WITH 1000 OHMS PER VOLT VOLTMETER
ALL MEASUREMENTS MADE WITH LINE AT 117 VOLTS 25 OR 60
CYCLE FOR VOLTAGES OVER 50 USE 500 VOLT SCALE

PRE-AMPLIFIER VOLTAGES TO BE READ WITH VOLTOHMYST JUNIOR OR EQUIVALENT

AVERAGE PLATE & SCREEN VOLTAGE MEASURED TO CHASSIS

6L6G	PLATE	315	VOLTS
6L6G	SCREEN	320	"
6SN7	PLATE #5	205	"
6SN7	PLATE #2	100	"
6SJ7	PLATE	85	"
6SJ7	SCREEN	25	"
6J5	PLATE	180	"

AVERAGE PLATE & SCREEN CURRENT

6L6G	PLATE	680	MA	DC
6L6G	SCREEN	52	"	"
6SN7	PLATE #5	39	"	"
6SN7	PLATE #2	1.5	"	"
6SJ7	PLATE	0.8	"	"
6SJ7	SCREEN	0.2	"	"
6J5	PLATE	2.7	"	"

AVERAGE VOLTAGE ACROSS CONDENSER

C-31	320	VOLTS	DC
C-29	320	"	"
C-30	20	"	"
C-28	285	"	"
C-10	275	"	"
C-9	285	"	"
C-11	180	"	"

AVERAGE FILAMENT VOLTAGE

6L6G	6.3	VOLTS	AC
6SN7	6.3	"	"
6SJ7	6.3	"	"
6J5	6.3	"	"

FILAMENT VOLTAGES ARE 9.9 FOR ACCELERATED CATHODE
HEATING WHEN FILAMENTS ARE COOL

504G 5. VOLTS AC

AVERAGE VOLTAGE ACROSS CONDENSER & RESISTOR

C-7	4.	VOLTS	DC
C-8	245.	"	"
R-1	5.	"	"

AVERAGE FILAMENT VOLTAGE

6SN7	6.3	VOLTS	AC
------	-----	-------	----