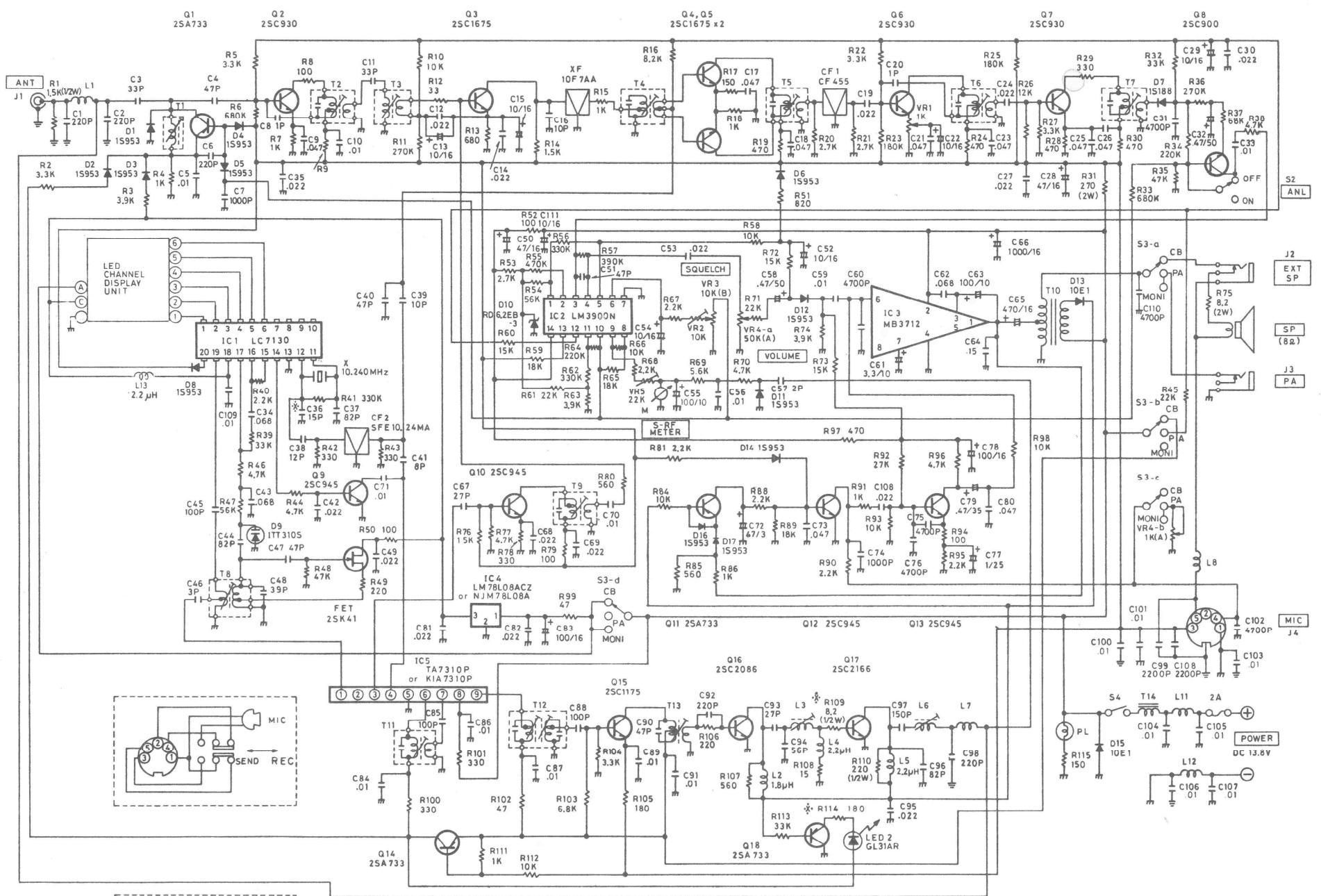
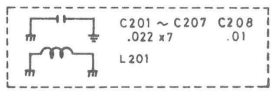


SCHEMATIC DIAGRAM



NOTE (1) ALL RESISTANCE VALUES ARE INDICATED IN "OHM" (K=10³OHM, M=10⁶OHM)
 (2) ALL CAPACITANCE VALUES ARE INDICATED IN "µF" (P=10⁶µF)
 (3) ✕ MAY VARY FROM UNIT TO UNIT FOR BEST PERFORMANCE.



- J1 ANT
- J2 EXT SP
- SP (8Ω)
- J3 PA
- J4 MIC
- S2 ANL
- S3-a CB PA
- S3-b CB PA
- S3-c CB PA