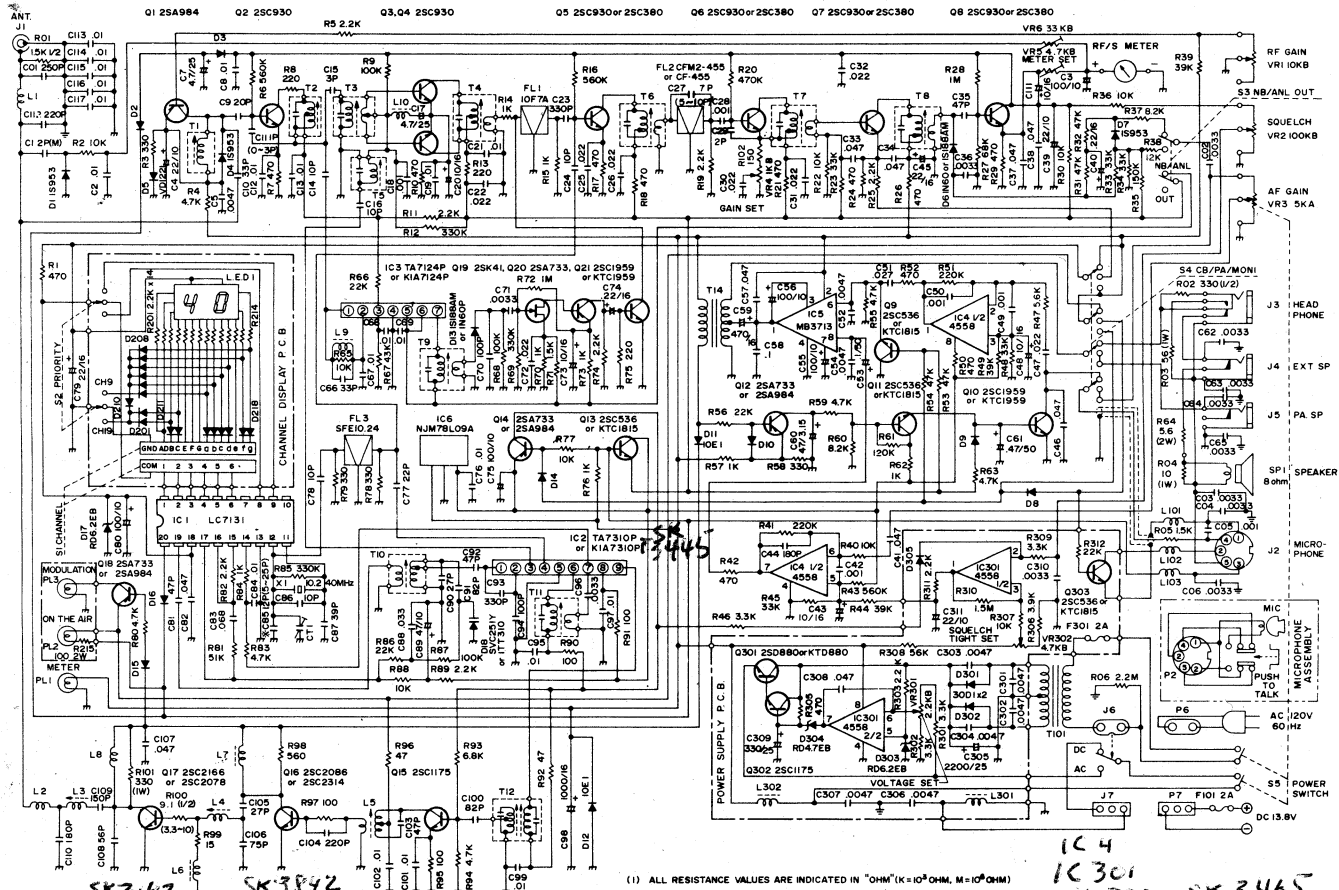


# SCHEMATIC DIAGRAM



- (1) ALL RESISTANCE VALUES ARE INDICATED IN "OHM" (K=10<sup>3</sup> OHM, M=10<sup>6</sup> OHM)
- (2) ALL CAPACITANCE VALUES ARE INDICATED IN "µF" (P=10<sup>-9</sup> µF)
- (3) NOT INDICATED DIODES ARE 1SS53.