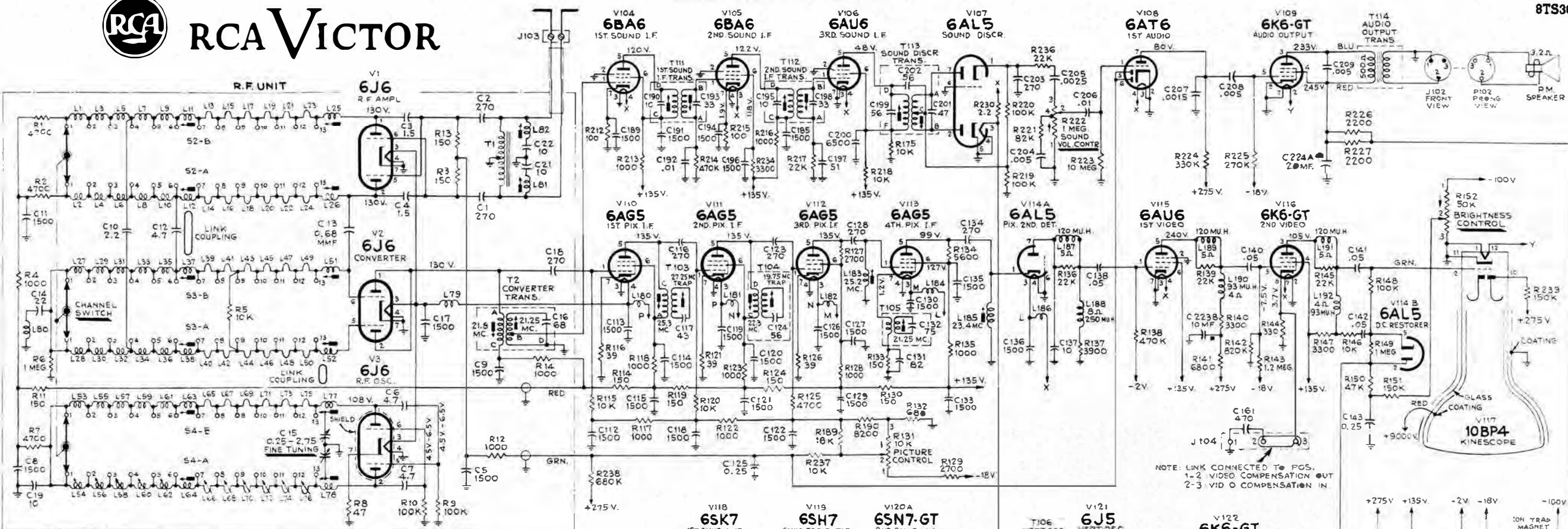




RCA VICTOR

CIRCUIT SCHEMATIC DIAGRAM

8TS30



NOTES

K = 1000

All resistance values are in ohms. Capacitance values less than 1 are in mfd. and above 1 in mmfd., unless otherwise noted.

Direction of arrows of controls indicates clockwise rotation.

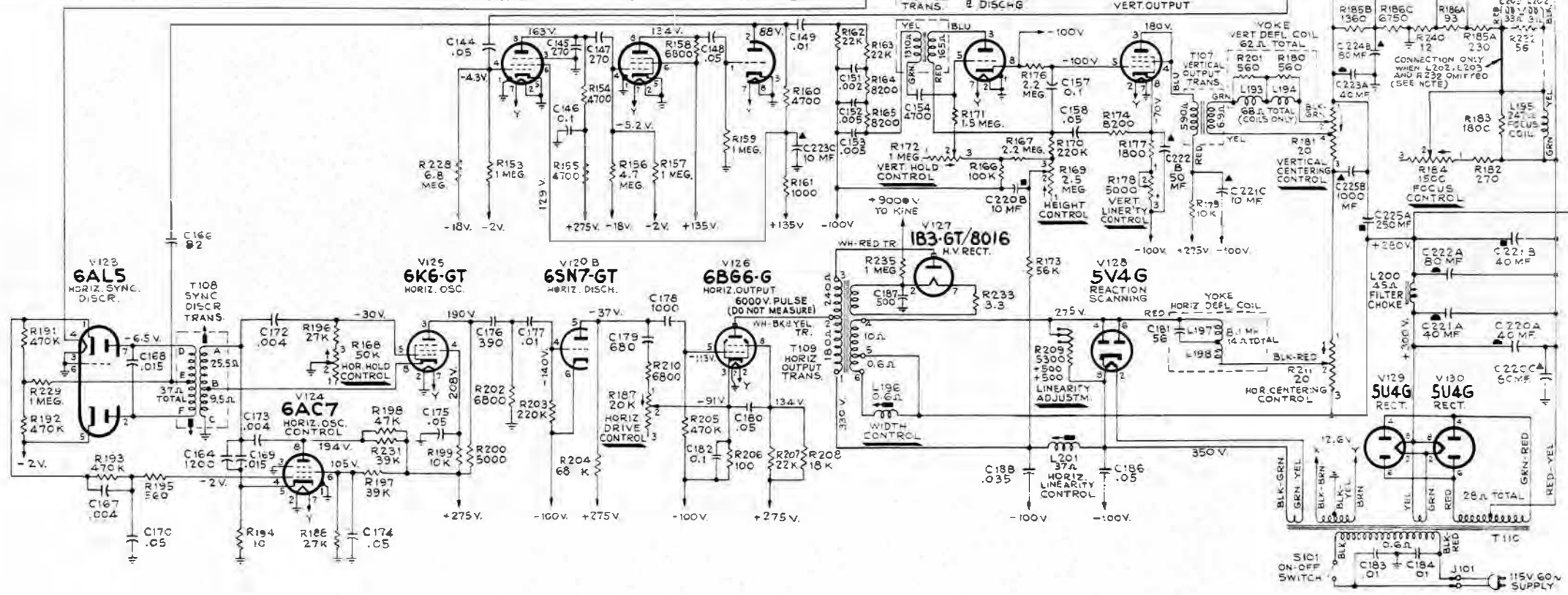
All voltages measured with VoltOhmyst and with picture control counterclockwise. Voltages should hold within $\pm 20\%$ with 117 v. a-c supply.

In some receivers, substitutions have caused changes in component lead color codes, in electrolytic capacitor values and their lug identification markings.

In some receivers, the antenna trap (L8), L82, C21 and C22 may be omitted.

In some receivers, an EM type of ion trap magnet is employed. In these sets, the magnet coils and the shunting resistor R232 are connected as shown by the dotted lines of the schematic. In this case, the jumper across R232 is omitted.

Figure 83—Circuit Schematic Diagram



NOTE: LINK CONNECTED TO POS. 1-2 VIDEO COMPENSATION OUT 2-3 VIDEO COMPENSATION IN.

CONNECTION ONLY WHEN L202, L203 AND R232 OMITTED (SEE NOTE)

