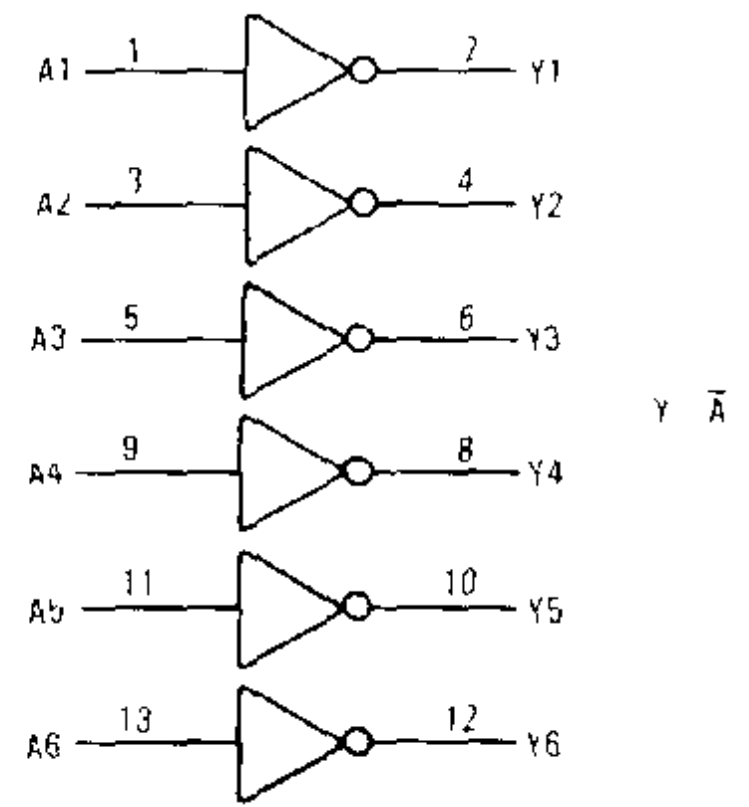
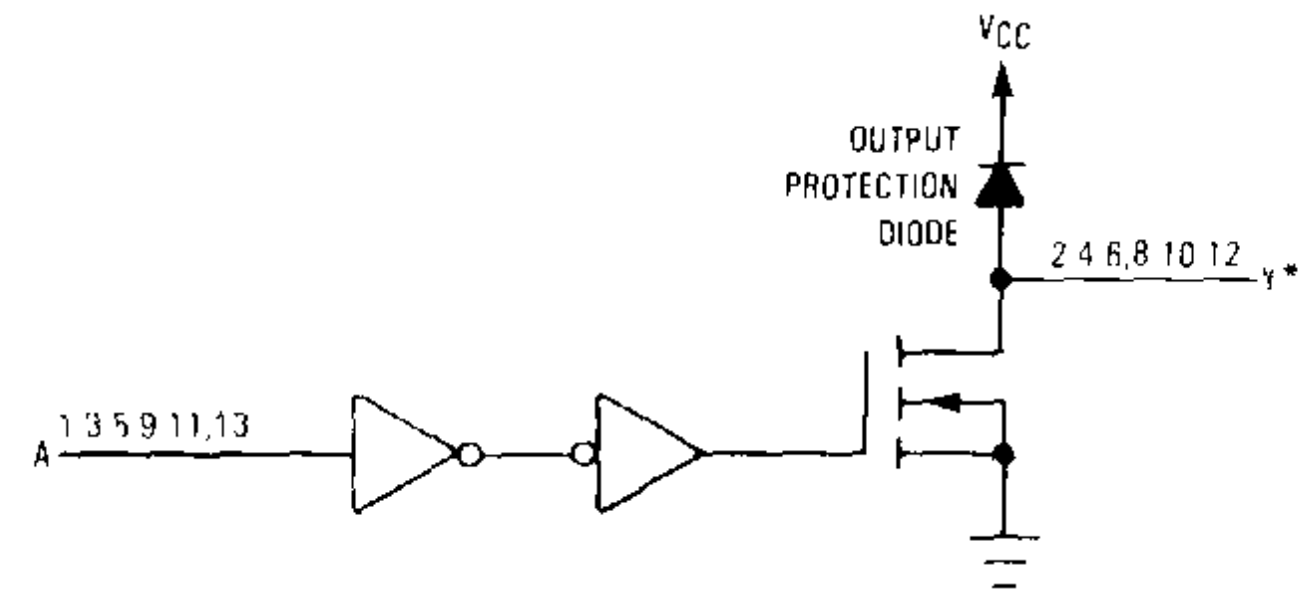


**HC04
HC04A
HCT04
HCT04A
HCU04**

PIN 14 = V_{CC}
PIN 7 = GND



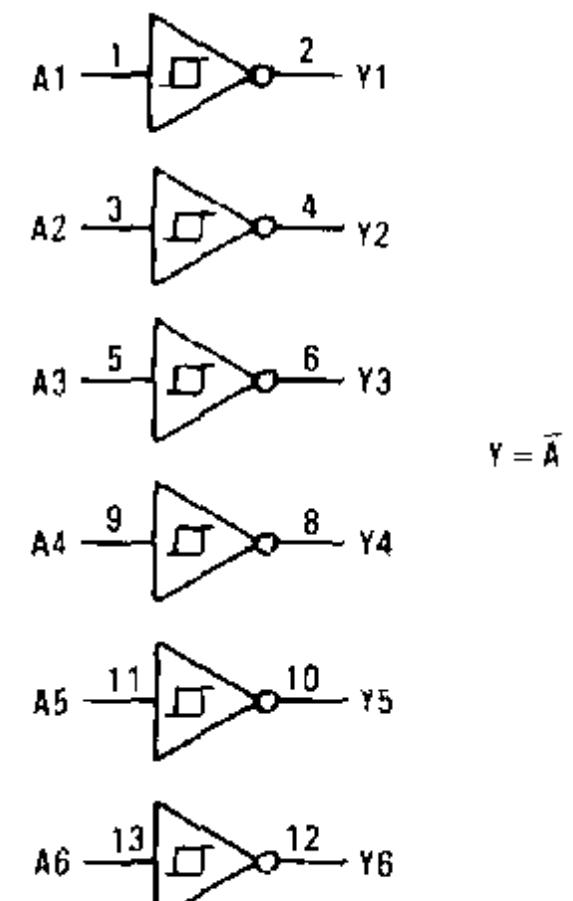
**HC05
HCT05**



PIN 14 = V_{CC}
PIN 7 = GND

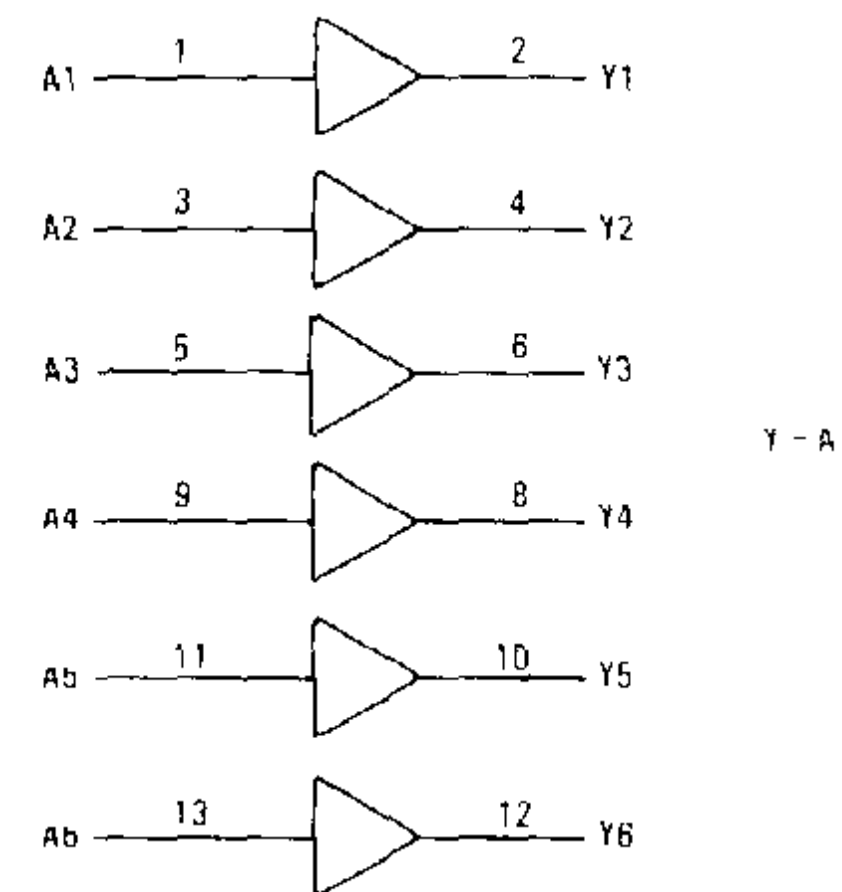
*Denotes open-drain outputs

**HC14
HC14A**



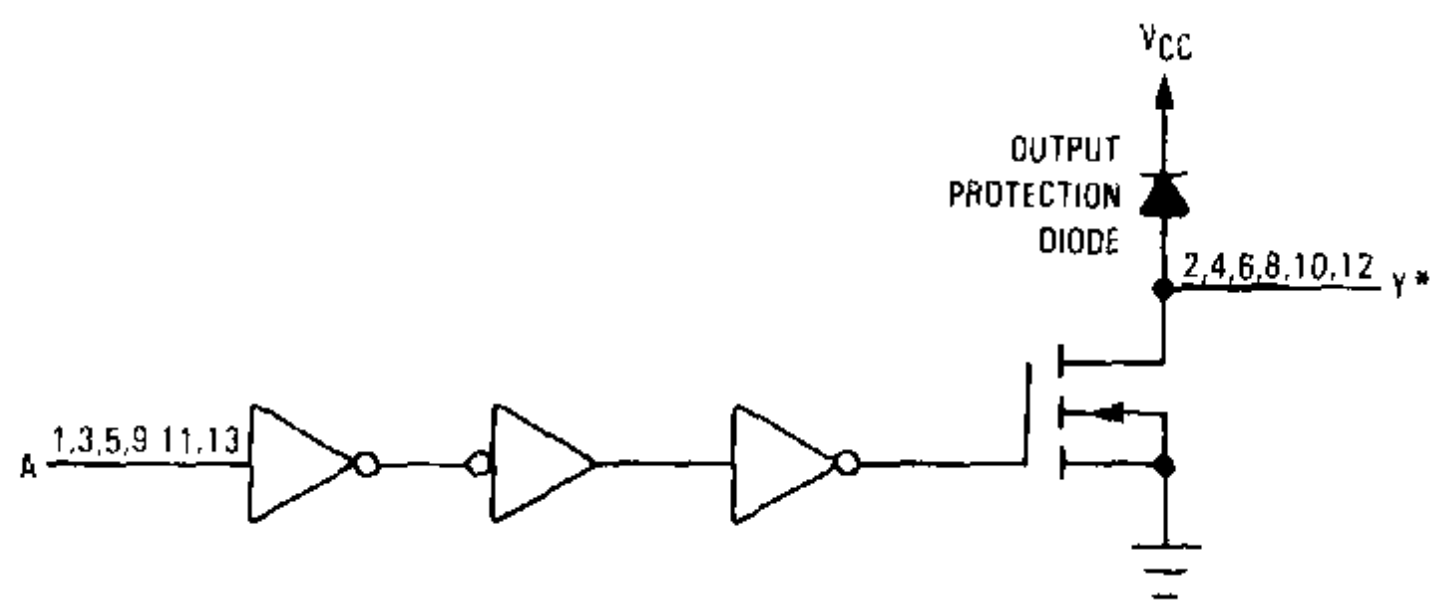
PIN 14 = V_{CC}
PIN 7 = GND

**HC34
HCT34**



PIN 14 = V_{CC}
PIN 7 = GND

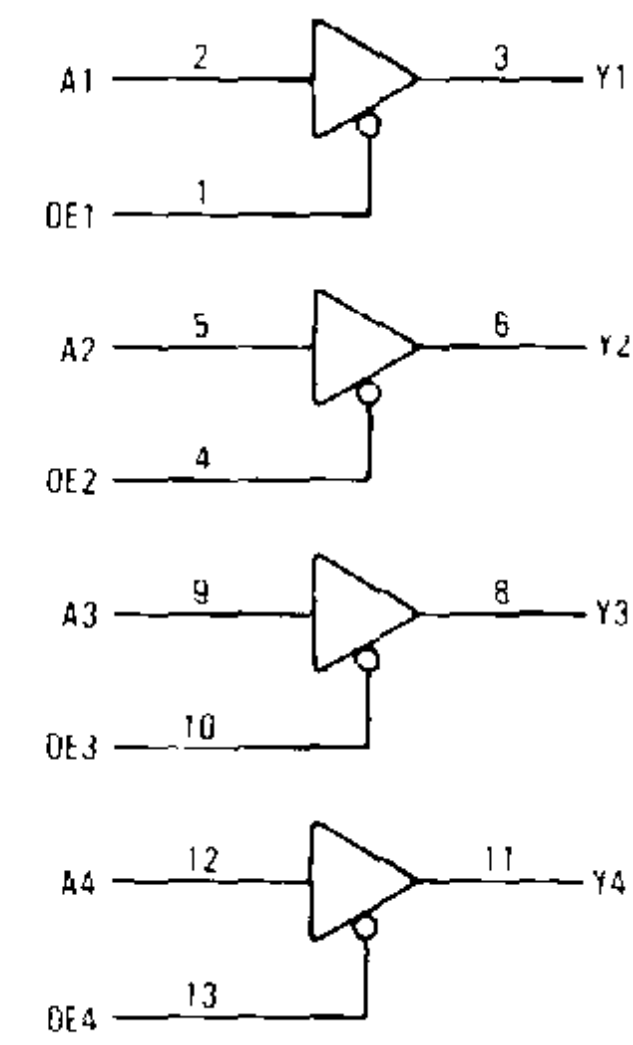
**HC35
HCT35**



PIN 14 = V_{CC}
PIN 7 = GND

*Denotes open-drain outputs

HC125



PIN 14 = V_{CC}
PIN 7 = GND