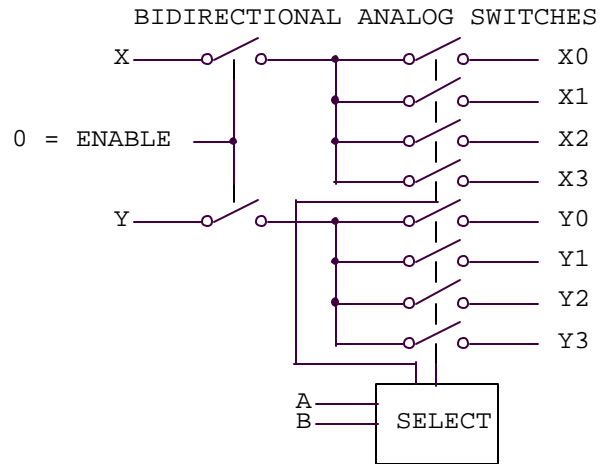


SIMPLIFIED 4052



ANALOG SIGNALS BETWEEN VDD AND VEE  
DIGITAL SIGNALS BETWEEN VDD AND GND

Title		
4xxx SERIES CMOS DEVICES		
Size	Document Number	Rev
A	01060615	1
Date:	Saturday, June 17, 2006	Sheet 1 of 1