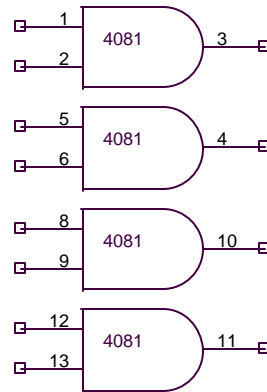
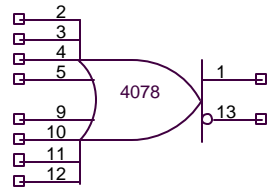
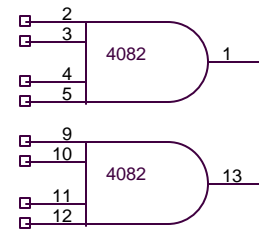


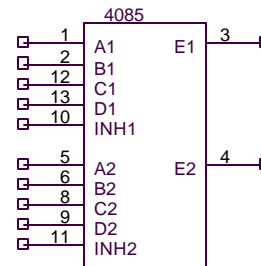
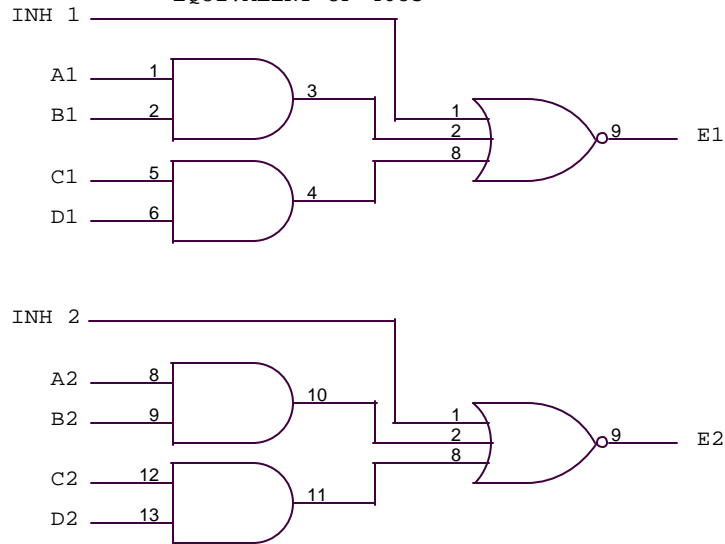
SAME FUNCTION AND
PINOUT AS SN74266.



SAME FUNCTION AS SN7408
BUT DIFFERENT PINOUT.



EQUIVALENT OF 4085



Title		
4xxx SERIES CMOS DEVICES		
Size	Document Number	Rev
A	0106061806	1
Date: Sunday, June 18, 2006		Sheet 1 of 1