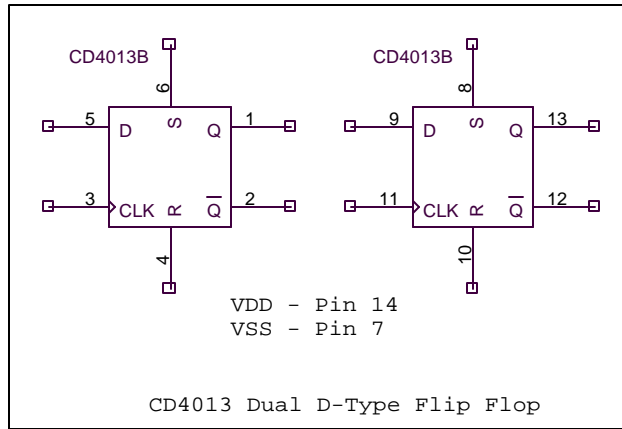
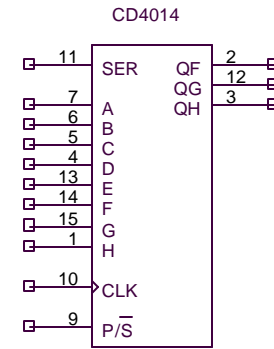


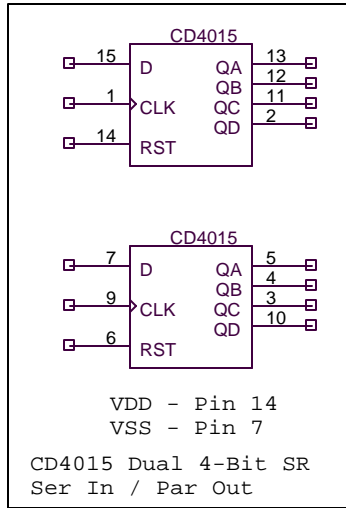
VDD - Pin 16
VSS - Pin 8
4-Bit Full Adder



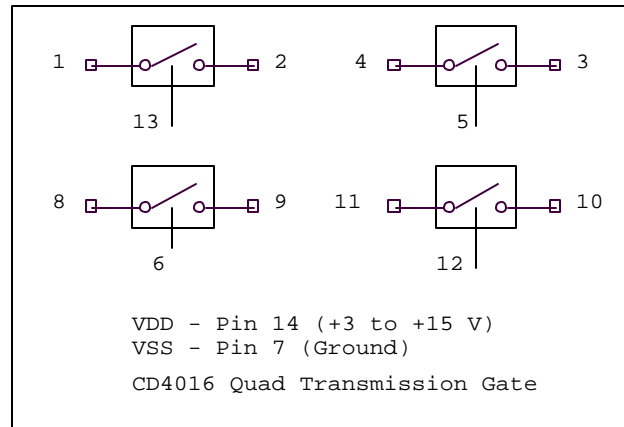
VDD - Pin 14
VSS - Pin 7
CD4013 Dual D-Type Flip Flop



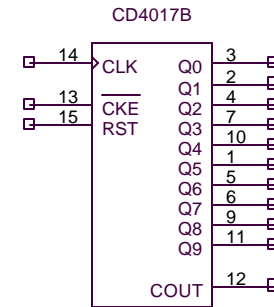
VDD - Pin 16
VSS - Pin 8
CD4014 8-Bit SR PSI/SO



VDD - Pin 14
VSS - Pin 7
CD4015 Dual 4-Bit SR
Ser In / Par Out



VDD - Pin 14 (+3 to +15 V)
VSS - Pin 7 (Ground)
CD4016 Quad Transmission Gate



VDD - Pin 16
VSS - Pin 8
CD4017 Decade Counter

Title		
CMOS Class		
Size	Document Number	Rev
A	Design 73	1
Date: Tuesday, March 20, 2007		Sheet 1 of 1