

THE K107A TELEPHONE LOUDSPEAKER

The K-107A loudspeaker is designed for use with a standard telephone set, permitting a group of people to overhear both sides of a telephone conversation. A combination volume control and on-off switch is provided on the front panel. The loudspeaker is encased in a plastic housing available in color and equipped with a 4-conductor 9-foot cord also in color (See Table I). An external power supply of 18 to 22 volts AC or DC is required. Height, 4 inches; width, 5 5/8 inches; depth, 3 3/4 inches.

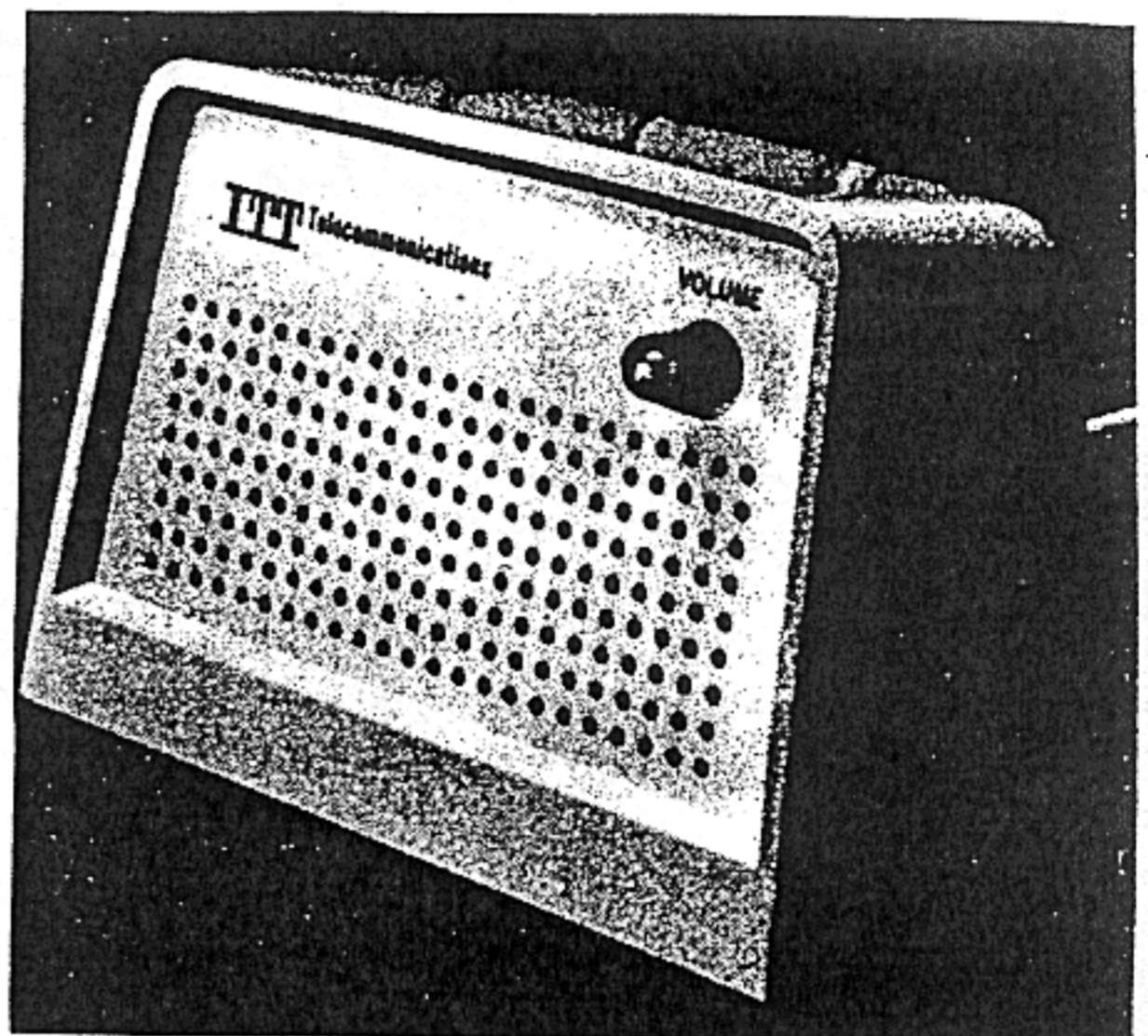


Figure 1. K-107(A) Telephone Loudspeaker

GENERAL INSTRUCTIONS

POWER SUPPLY.

The K-107A loudspeaker is designed to use a K-31(A)690 transformer, which requires a 105- to 125- volt ac receptacle (see figure 2). When incorporated in a key-phone system, the system power supply (18-volt ac) can be used (see figures 3, 4 and 5). The maximum length of inside wire (IW) cable should not exceed 200 feet from the power supply to the K-107A speaker. Other power supplies may be used, such as the 18-volt ac terminals of a power plant.

CONNECTIONS.

The loudspeaker is connected to the telephone set receiver circuit and is under control of the switch-hook and off-normal dial contacts. (Two spare conductors in the telephone set mounting cord or a separate 2-conductor mounting cord will be required.) Figure 2 illustrates the loudspeaker connections employing the K-31(A)690 transformer as a power supply and using a separate 2-conductor mounting cord. In this type installation, the 2-conductor cord, part No. 3031*(06)650, the transformer, and the 29()783 connecting block must be ordered separately. If a single mounting cord is desired and the present telephone mounting cord does not have two spare conductors, a 6-conductor cord must be ordered separately in lieu of the 2-conductor cord. (See Table 1 for part numbers and color codes on cords and loudspeaker.)

LOCATION.

A minimum separation of 3 feet should be maintained between the loudspeaker and the associated telephone instrument to prevent feedback. Greater separation will permit a higher volume adjustment without feedback, for maximum efficiency, the wire distance between the loud speaker and the associated telephone set should not exceed 100 feet of IW cable.

OPERATION.

The telephone instrument used in conjunction with the K-107A loudspeaker is used in the normal manner. The handset of the telephone instrument must be off hook to use the speaker. Turn the on-off switch on the front panel clockwise to connect the power supply and adjust the volume to a satisfactory level. Turn the loudspeaker off when not in use. The telephone may be used in the normal manner with the loudspeaker turned off.

MAINTENANCE.

Maintenance of the K-107A loudspeaker is limited to replacement of the 4-conductor 9-foot cord. (See figure 7 for color of mounting cord conductors to terminals on terminal block in the loudspeaker set.) Remove the housing by removing the two screws in the base. Carefully work the housing over the volume control and off. For maintenance of the associated telephone instrument, refer to the pertinent section of the Telephone Instrument Maintenance Manual.

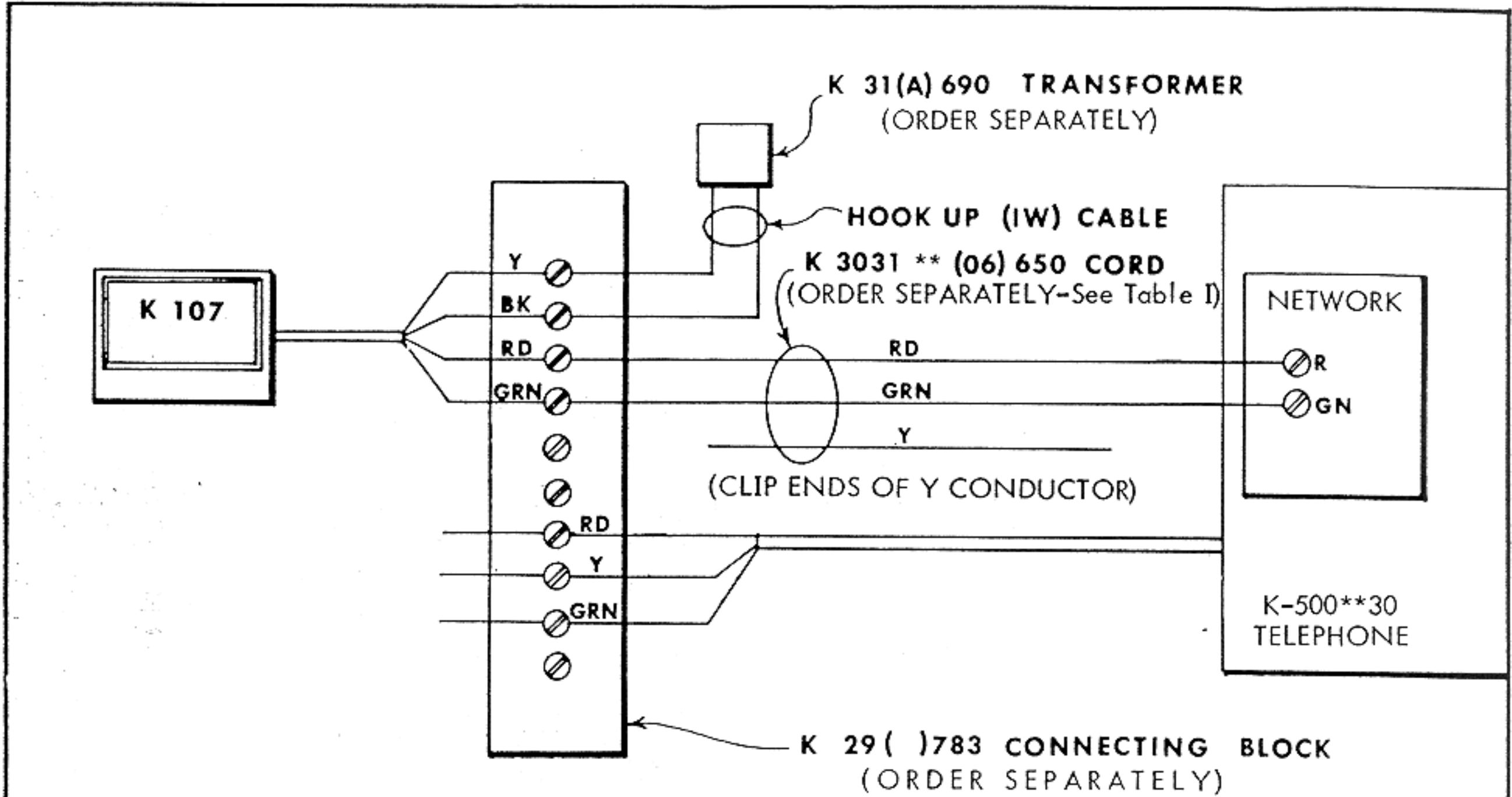
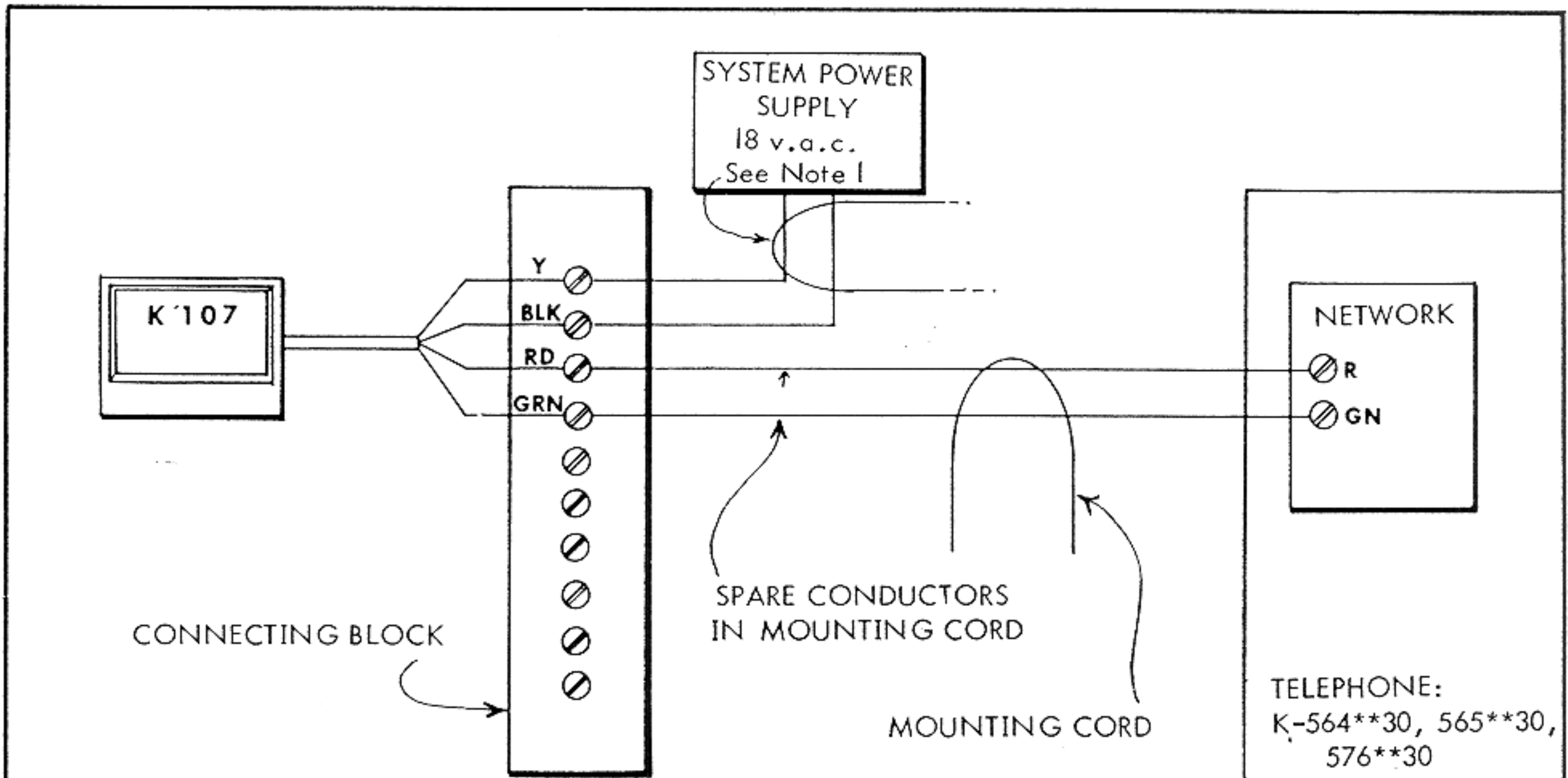


Figure 2. Loudspeaker Connections for K-500**30 Telephone. Transformer, Telephone Connecting Cord, and 10-Point Connecting Block Must be Ordered Separately. A 6-Conductor Cord Can be Used in Place of the Original Telephone Mounting Cord and K-3031**(06)650 Cord.



NOTE 1. In Key Systems, Use the Key System Power Supply and Spare Conductors in the Power Supply Cord. Otherwise Use K-31(A)690 Transformer and IW.

Figure 3. Loudspeaker Connections for K-564**30, K-565**30, and K-576**30 Telephones.

** Substitute Color Code Number (See Table I)

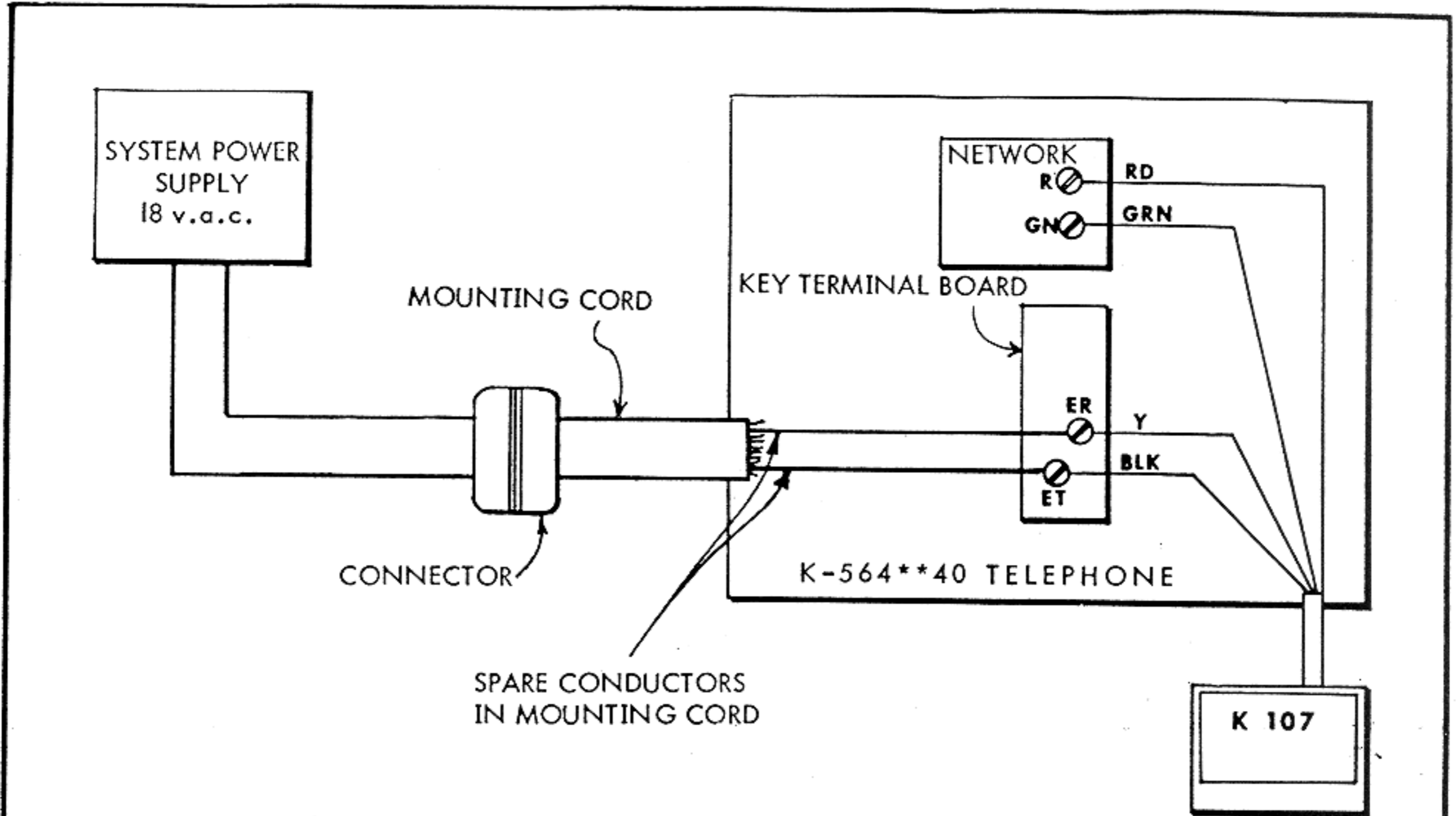


Figure 4. Loudspeaker Connections Employing Key System Power Supply and K-564 Key Telephone with Amphenol Connector

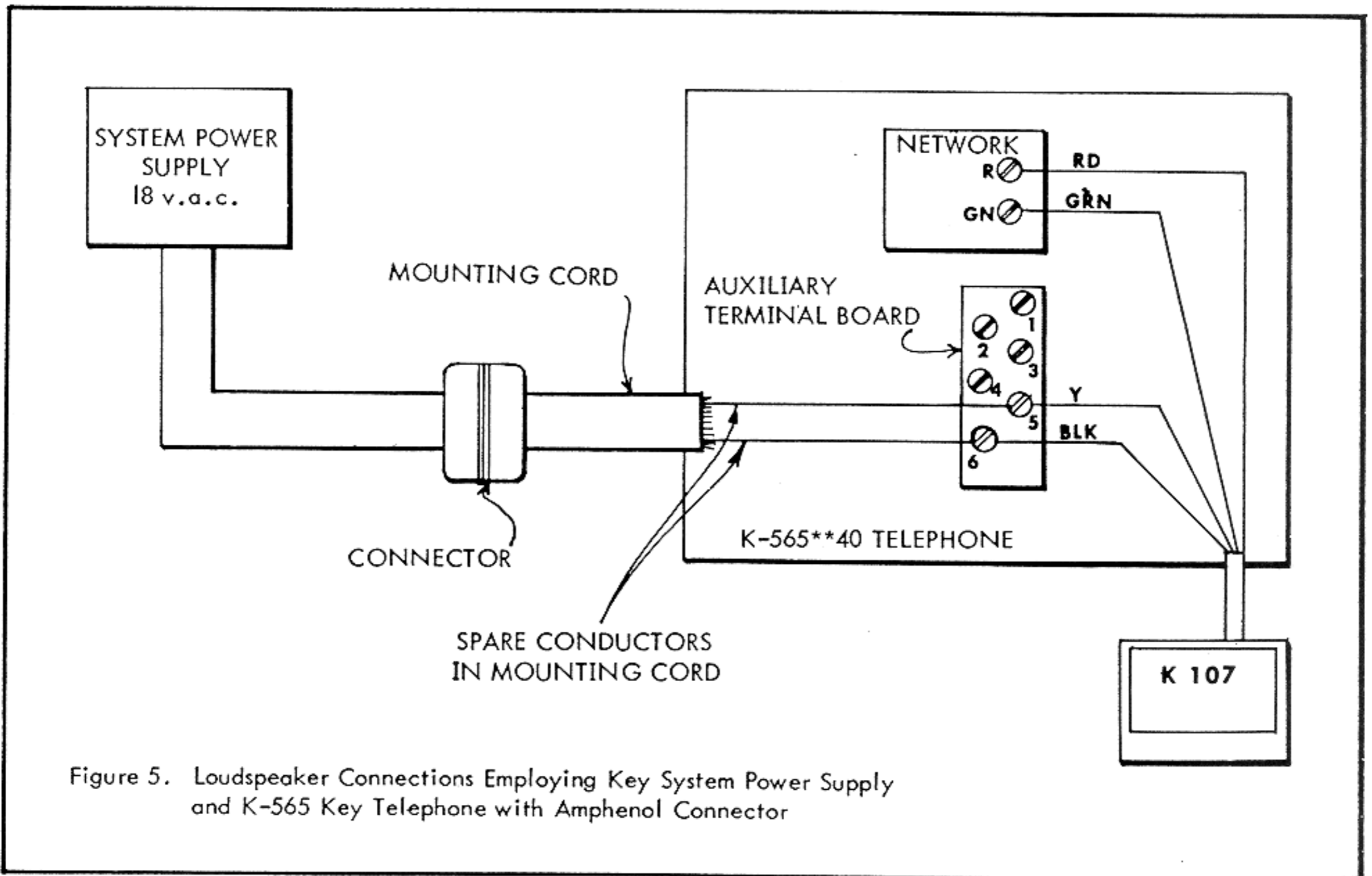


Figure 5. Loudspeaker Connections Employing Key System Power Supply and K-565 Key Telephone with Amphenol Connector

** Substitute Color Code Number (See Table I)

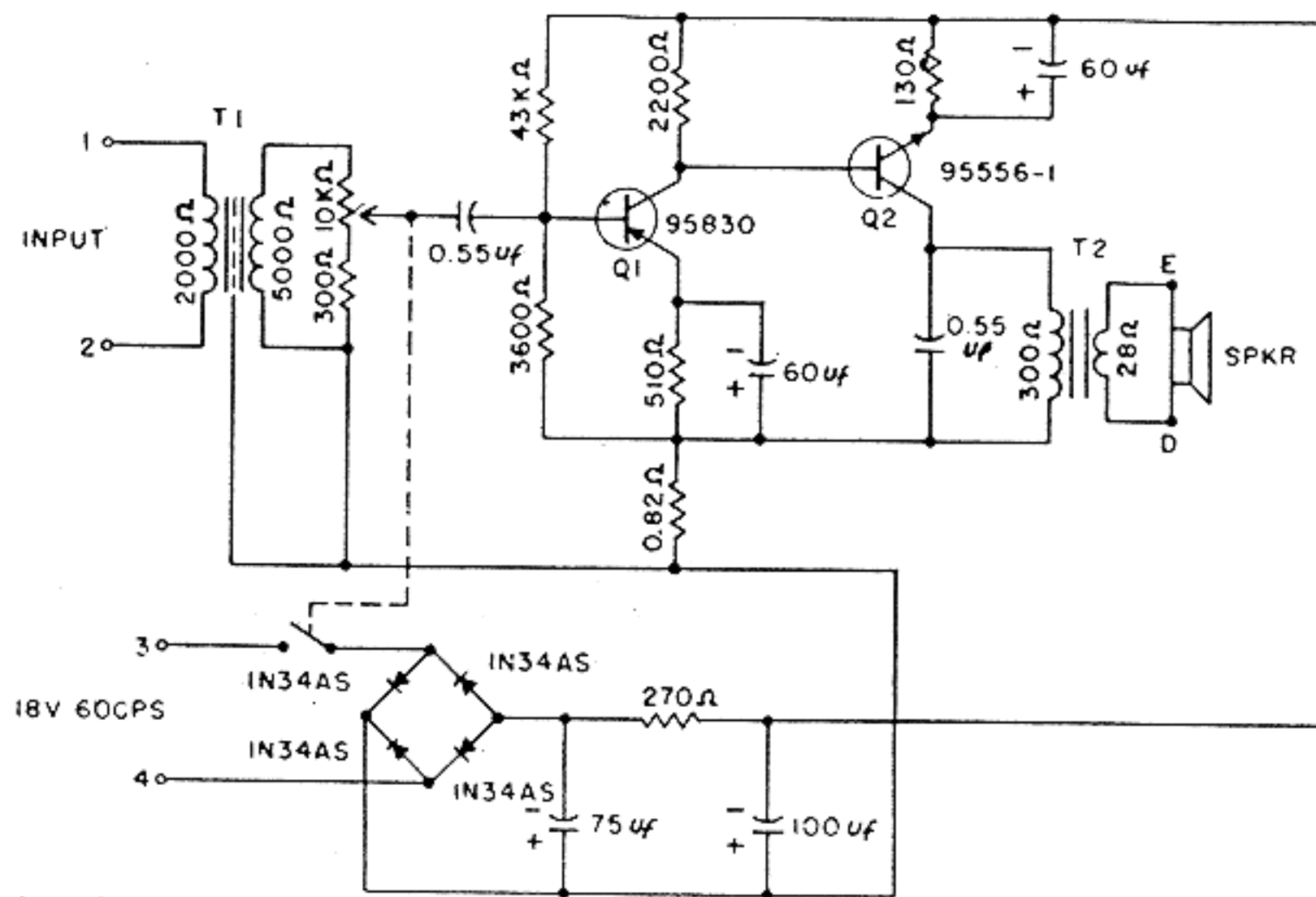


Figure 6. Circuit Schematic

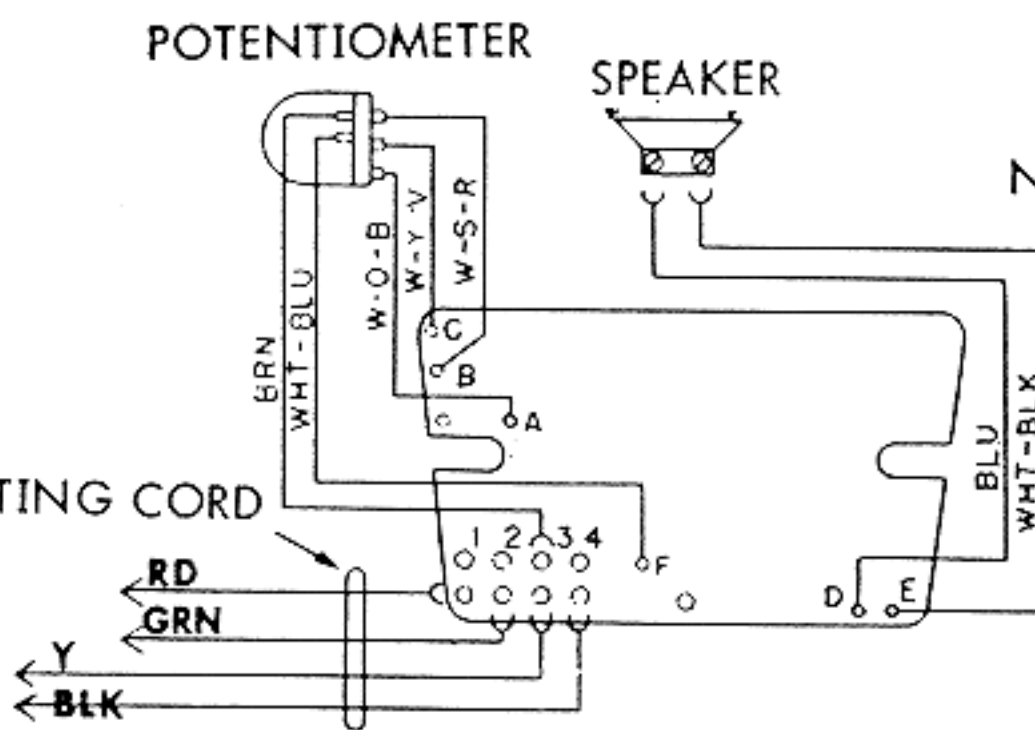


Figure 7. Wiring Diagram

NOTE: Connect the red conductor of the connecting cord to terminal (R) and the green conductor to terminal (GN) on the network. Connect the yellow and black conductors to the 18v output of 3I(A)690 transformer or key system power supply.

TABLE I. LOUDSPEAKERS AND CORDS IN COLOR

COLOR	LOUDSPEAKER	LOUDSPEAKER CORD	3-CONDUCTOR CORD	6-CONDUCTOR CORD
Black	10700(A)319	305400(25)650	303100(06)650	304400(14)650
Green	10705(A)319	305405(25)650	303105(06)650	304405(14)650
Ivory	10709(A)319	305409(25)650	303109(06)650	304409(14)650
Light Beige	10713(A)319	305413(25)650	303113(06)650	304413(14)650
Light Gray	10714(A)319	305414(25)650	303114(06)650	304414(14)650
White	10715(A)319	305415(25)650	303115(06)650	304415(14)650