



# Coinco Global 2/€800 Series

---

## Parts List

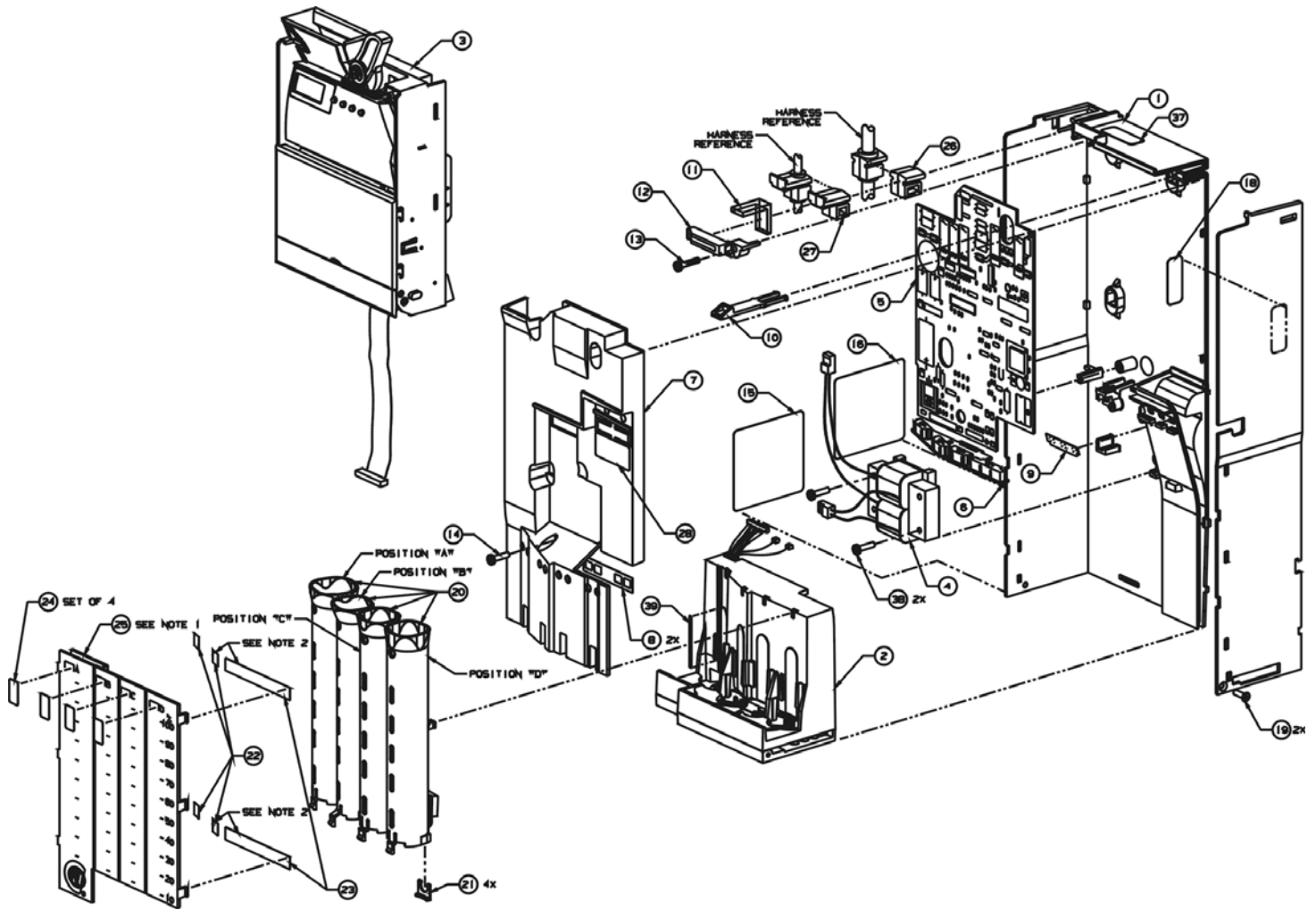
July 2006

# TABLE OF CONTENTS

---

FINAL ASSEMBLY	2
PAYOUT ASSEMBLY	3
ACCEPTOR ASSEMBLY	4
MISCELLANEOUS	
TUBES/SHIMS	6
PLB's	6
HARNESSES	6
OTHER	6

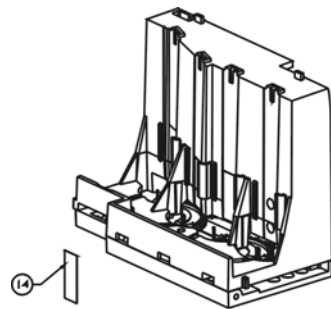
# FINAL ASSEMBLY



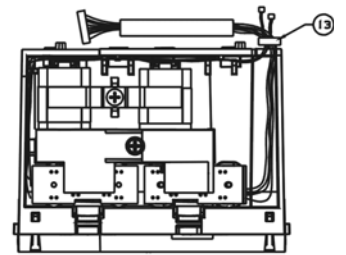
#	Description	Non-RoHS	RoHS
1	Assembly, Housing	407610-7.2	
2	Assembly, Payout	407880-2	409611
3	Assembly, Acceptor		N/A
4	Assembly, Transformer (F/S only)	407554-4.2	
5	Logic Board		See PLB's
6	Board, Upper Tube Sense	407541.1	409541
7	Cover, Logic Board	407956-2	
8	Lens, Upper Tube Sense	921840	
9	Lens, Cashbox	921822	
10	Latch	921586.4	
11	PVC Foam		See Other
12	Bracket, Strain Relief	921724.7	
13	Screw, Pan Head #6 x 11/16	345-6R11	
14	Screw, Pan Head #6 x 1/2	345-6R8	
15	Label, Identification		N/A
16	Label, Patent		N/A
17	Harness, Bill Validator (optional, selective models)		Call

#	Description	Non-RoHS	RoHS
18	Label, Configuration		909846-1
19	Screw, Flat Head #4 x 5/16		341S4R5
20	Tube, Inventory		See Tubes
21	Shim		See Shims
22	Mirror, Tube A		922201
23	Mirror, Tube C and D		923353
24	Labels, Tube		Call
25	Front Cover/Coin Return		407746-4
26	Plug, Lg. Strain Relief (selective models)	921804	921804-10
27	Plug, Sm. Strain Relief (selective models)	921668	921668-10
28	Label, Price Setting (F/S model only)		Call
37	Label, Warranty (selective models)		Call
38	Screw, Pan Head #4 x 3/4		345-4R12
39	Pad (selective models)		Call

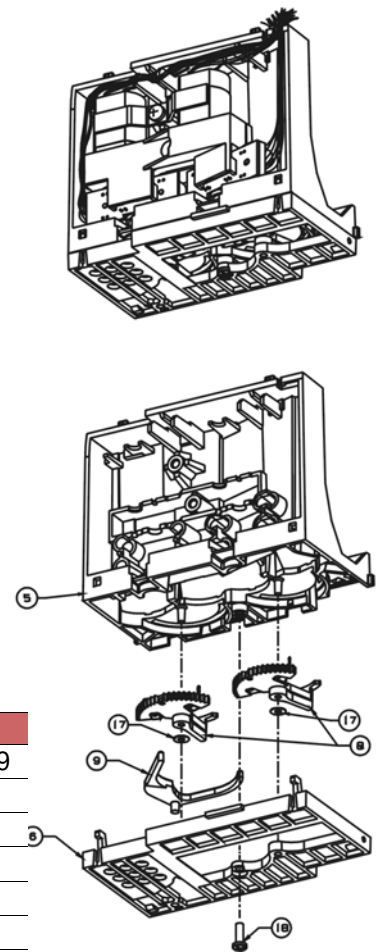
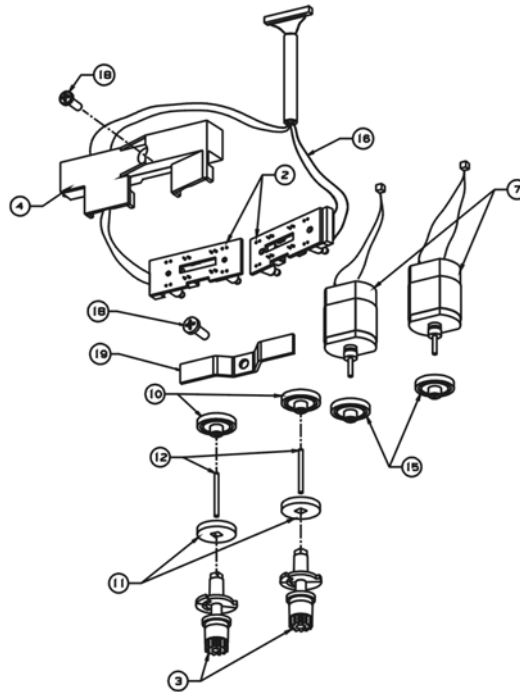
# PAYOUT ASSEMBLY



FRONT VIEW

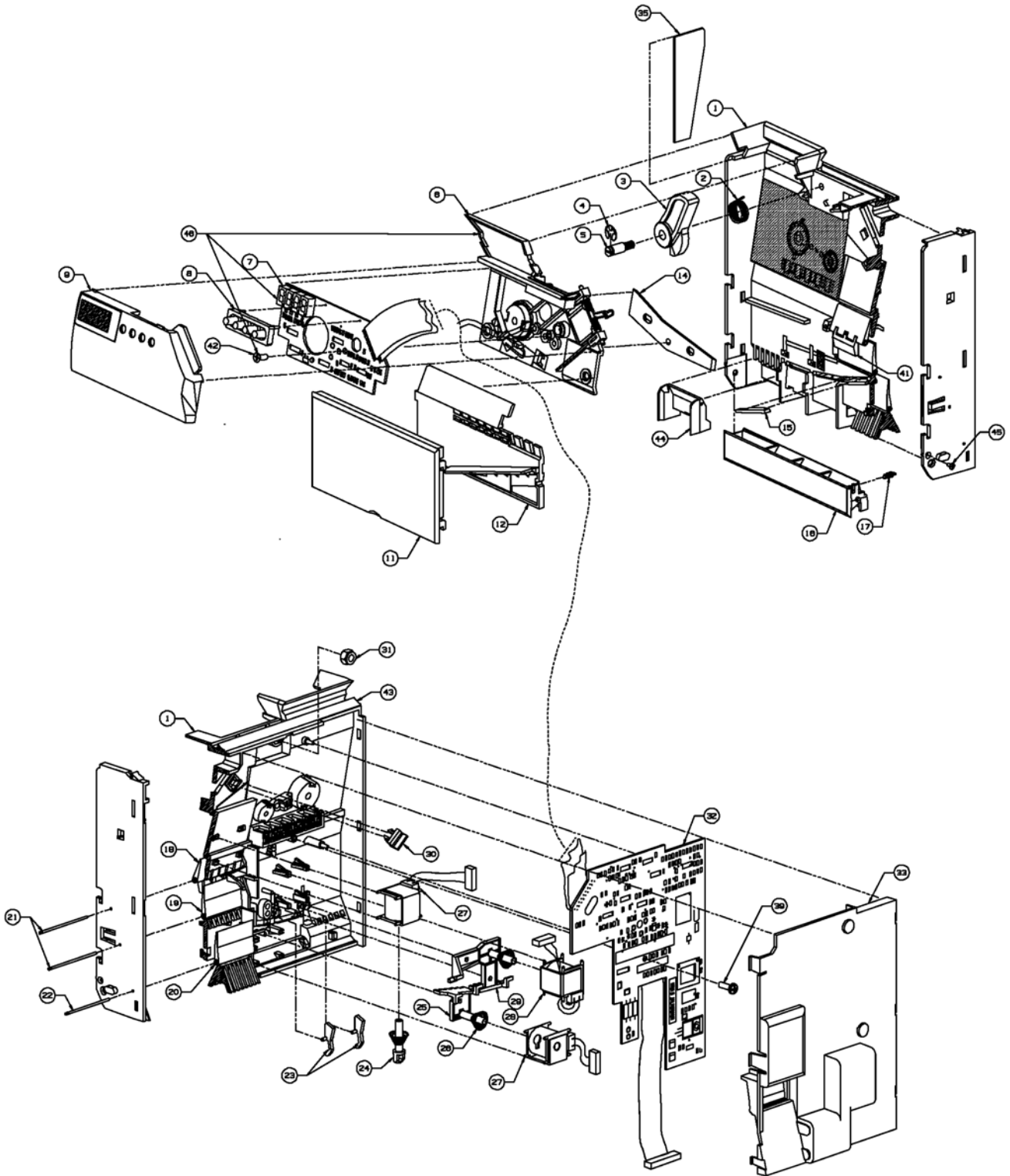


BACK VIEW



#	Description	Non-RoHS	RoHS
2	Tube/Home Sense Board-Lower	407605-1	409658/409659
3	Gear, Encoder		921430-1.5
4	Cover, Gearbox		921442-2.2
5	Base, Payout-Upper		921449-2.5
6	Base Payout-Lower		921450-1.16
7	Assembly, Motor/Harness	407684-1.4	408684
8	Assembly, Sweeper		407683-2
9	Arm, Coin Clearing		921461-2.1
10	Gear, Reduction		923387
11	Gear, Pinion		921466-3
12	Shaft, Gear		921585
13	Cable Tie		901358
14	Lens, Tube Sense-Lower		921839-2
15	Gear, Reduction		923387
16	Harness, Lower Tube Sense	921768-1	408768
17	Washer, Plastic (selected models only)		Call
18	Screw, 8x1/2 PH, PHL, Thread cutting		296-8R8
19	Retainer, Motor		923797-1

# ACCEPTOR ASSEMBLY



# ACCEPTOR ASSEMBLY

#	Description	Non-RoHS	RoHS
1	Mainplate and Coil	407611	407612-1.6
2	Operating Lever Spring		906618
3	Operating Lever		920747.7
4	Retaining Ring		751S21X
5	Gate Lever Pivot Screw		906624
6	Gate and Coil Assembly		409100
7	Gate Board	407773-1	409773
8	Keypad		922285
9	Gate Cover	922279-3.3	408154
10	Label		Call
11	Front Cover		921433.8
12	Intermediate Cover		921441-1.1
13	Label, Mirror .575		921475-4
14	Debounce, Validation (20/12)		922641
15	Debounce, Sorting		921437
16	Hand Loading Door		921671.8
17	Hand Loading Door Spring		921672
18	Accept/Reject Door		921732-2.1
19	Sort Door		921427-1.1
20	Cashbox Door		921737.2
21	Pivot Diverter Pin		921588
22	Short Diverter Pin		921785
23	Coin Stop		921443-1.3
24	Plunger and Yoke Assembly		407615-1
25	Tube C and Plunger Assembly		407614-1
26	Copper Plated Spring		922415
27	Solenoid Coil Assembly	407557A	407981
28	C Frame Solenoid	923060	407981
29	Tube B and Plunger Assembly		407613-1
30	Spring Retention Plug		908845-1.8
31	Self Locking Hex Nut		400-8
32	Logic Board	407470-2.4	409470
33	Rear Cover		921432.10
35	Debounce Plate		921974
39	Screw, Pan Head #4x5/16		345-4RS
40	Global Decal		924213-1
41	Anti-Stringing Lever		922283-2.1
42	Screw, Flat Head #4x5/16		341S4R5
43	Acceptor Gasket		925023
44	Insert, Mainplate (selective models only)		Call
45	Screw, Flat Head #2x3/16 (selective models only)		341S2R3
46	Gate/Board assembly (for service only)		Call

# MISCELLANEOUS

## TUBES/SHIMS

Description	Non-RoHS	RoHS	Description	Non-RoHS	RoHS
Tube #1	921458-1.8		Black shim	921801.8	
Tube #2	921792.5		Blue shim	921462.11	
Tube #3	921793.6		Light Blue shim	924274.2	
Tube #4	921794.6		Red shim	921800.9	
Tube #5	921795.6		Burgundy shim	924273.2	
Tube #6	921789.6		Gold shim	921856.7	
Tube #7	921816.8		1c Euro tube/shim assembly	408282-1A	
Tube #8	921790.8		2c Euro tube/shim assembly	408282-2A	
Tube #9A	921817-1.1		5c Euro tube/shim assembly	408282-3A	
Tube #10	921791.8		10c Euro tube/shim assembly	408282-4A	
Light Grey shim	921802.8		20c Euro tube/shim assembly	408282-5A	
Dark Gray shim	922023.8		50c Euro tube/shim assembly	408282-6A	
			1 € Euro tube/shim assembly	408282-7A	

## PLB's

Description	Non-RoHS	RoHS
Executive (Protocol A) PLB (4 Layer)	408186.8	409186
Executive (Protocol A) PLB (2 Layer)	407525.19	N/A
GX (MDB) PLB	407499.9	409086
F/S 110V PLB	407471-6.27	409471-3
F/S 240V PLB	407471-14	409471-1
F/S 24V PLB	407471-15	409471-2
BDV PLB	407525-1.19	409186-1

## HARNESSES

Description	Non-RoHS	RoHS
GX (MDB) harness	407544-1.3	409544-1
GX (MDB) harness (Split)	408264.3	409264
Executive (Protocol A ) power harness	407622-1.5	409622-1
Executive (Protocol A ) data link harness (rear)	407623-1.3	408623-1
Executive (Protocol A ) data link harness (front)	407623.9	408623
F/S harness (Jones Plug)		407864.4
Dex harness	407939.4	408939
Display harness (front)		407630

## OTHER

Description	Non-RoHS	RoHS
Cashbox chute		921464-1.6
Cashbox mirror		922200-1
Mainplate lens		923068
Intermediate cover with mirror		407954
Coil assembly, eddy current	407481.7	408481
Coil assembly, multi-frequency	407480.9	408544
Tau coil/corew/conn assembly	407545-1.12	407545-2.1
Ribbon cable (short)	923398-1	923398-1.4LF
Ribbon cable (long)	923398-2	923398-2.4LF
Opto Emitter	902917-50	902917-50LF
Photodiode	902943-58	902943-58LF
Acceptor Flash memory	67010-36	N/A
Executive (Protocol A) EPROM (4 Layer)	67187-6	67187-6B
Executive (Protocol A) EPROM (2 Layer)	67022-12	N/A
F/S EPROM	67035-8	67035-8B
BDV EPROM	67072-2	67189-01B

Coin Acceptors Europe Ltd 2006.

All rights reserved.

This publication is issued to provide outline information only which (unless agreed in writing by Coin Acceptors Europe Ltd) may not be used, applied or reproduced for any purpose, or form part of any order or contract or be regarded as a representation relating to the product or service concerned. Coin Acceptors Europe Ltd reserves the right to alter without notice the specification, design or conditions of supply of any product or service.

Coinco is a registered trademark of Coin Acceptors Inc.

Publication code: **CAE/EN/PL001R2**