

TECHNICAL INFORMATION

TYPE NO FB 5100 standard and maxi	TYPE Freshbrewer	T.I.-NO FB 05/2002				
SERIAL NUMBERS AFFECTED From machine No 516879 (standard) and machine No 514893 (maxi)	ISSUED BY Documentation/Wittenborg Odense					
SUBJECT Suspension plate for brewer	ISSUED FOR (X): <table border="1"> <tr> <td>Action</td> <td></td> </tr> <tr> <td>Information</td> <td>X</td> </tr> </table>		Action		Information	X
Action						
Information	X					

COMPONENTS CONCERNED

- 30878700** Suspension plate for brewer - standard model
- 30881100** Suspension plate for brewer - maxi model
- 30433300** Transport fittings for brewer

MODIFICATION

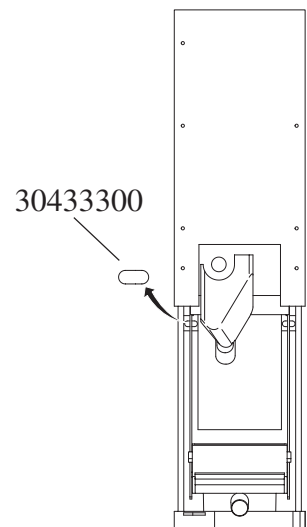
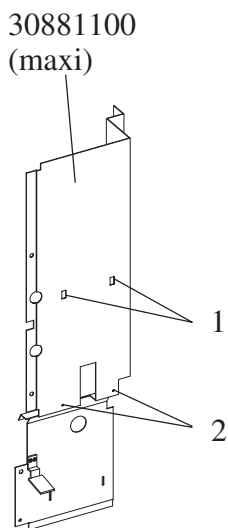
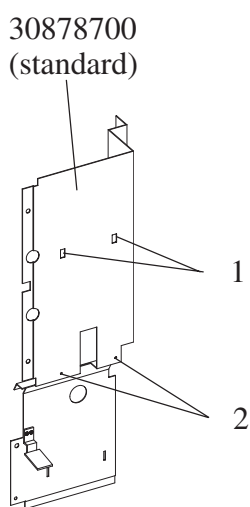
- Suspension plate for brewer **30878700 (standard)** - used in FB 5100 standard models and suspension plate for brewer **30881100 (maxi)** - used in FB 5100 maxi models have been changed. The two holes (see 1 on illustrations below 30878700 and 30881100) have been enlarged in order that the brewer unit can be adjusted horizontally. The two holes have also been moved 2 mm downwards as well as the two holes (see 2 on illustrations below 30878700 and 30881100).
 Transport fittings for brewer **30433300** - used in both FB 5100 standard and maxi models have been changed. The two holes are now oblong holes instead of round holes (see illustration below 30433300).

REASON

- If the brewer unit is not positioned correctly, it is now possible to adjust it horizontally in order that it does not interfere with the door. The holes have been moved downwards to ensure that the brewer unit does not scratch the top of the door.

CONTACT PERSON

- Lars Rehr



02.09.02 DATE :	Charlotte Schreiner PRODUCED BY :	02.09.02 DATE :	Lars Rehr CHECKED BY :
--------------------	--------------------------------------	--------------------	---------------------------