

WITTENBORG

TECHNICAL INFORMATION

TYPE NO IN/FB 5100	TYPE Instant / Freshbrew	T.I.-NO ... 02/01				
SERIAL NUMBERS AFFECTED Machines from machine number 498633	ISSUED BY Documentation/ Wittenborg Odense					
SUBJECT New Dispensing Valves (Müller)	ISSUED FOR (X): <table border="1"> <tr> <td>Action</td> <td><input type="checkbox"/></td> </tr> <tr> <td>Information</td> <td><input checked="" type="checkbox"/></td> </tr> </table>		Action	<input type="checkbox"/>	Information	<input checked="" type="checkbox"/>
Action	<input type="checkbox"/>					
Information	<input checked="" type="checkbox"/>					

HEADLINES

- In the interest of continuous Technical Improvement a new valve has been introduced to give extended life in areas where lime scaling may become a problem.

- COMPONENTS CONCERNED**

Concerned parts

30888000 Water Tank, 2000W, 3 Valves
 30888100 Water Tank, 2700W, 3 Valves
 30880200 Water Tank, 2000W, 4 Valves
 30880300 Water Tank, 2700W, 4 Valves
 30887700 Ingredient Motor Shelf 2 Canisters / 2 Whippers
 30887800 Ingredient Motor Shelf 2 Canisters / 1 Whipper
 30887900 Ingredient Motor Shelf 1 Canister / 1 Whipper

Omitted parts

30880400 Water Tank, 2700W, 4 Valves
 41529901 Dispensing Valve, 24V DC
 41529902 Dispensing Valve, 24V DC
 39549700 Gasket, Dispensing Valve

Replaced by

30880300 Water Tank, 2700W, 4 Valves
 41532400 Dispensing Valve, 24V DC
 41532400 Dispensing Valve, 24V DC
 39583700 Gasket, Dispensing Valve

Spare Parts

41532404 O-Ring for Valve (Müller)
 41532408 Seal/Diaphragm
 39549700 Gasket, Outlet Valve

- MODIFICATION**

The new valve has a PTFE valve seat with a reduced sealing area to improve the pressure on the seal. It also has a new diaphragm that has a wiping action to scrape away lime scale deposits from the seat area. Further improvements are a coated plunger to reduce friction and a greater tolerance to low voltage.

The new valve has also been designed for easier servicing. It can be disassembled by hand whereas the previous design needed a screwdriver and spanner.

06.02.01 DATE :	Grete Jensen PRODUCED BY :	06.02.01 DATE :	Bent Erik Truelsegaard CHECKED BY :
--------------------	-------------------------------	--------------------	--

WITTENBORG

TECHNICAL INFORMATION

TYPE NO IN/FB 5100	TYPE Instant / Freshbrew	T.I.-NO 02/01
------------------------------	------------------------------------	-------------------------

In order to make it interchangeable for spare parts purposes with other machines in the Wittenborg range, the new valve will have a straight water inlet spigot instead of the stepped spigot used on the old design. This will necessitate a change in the valve gasket securing the valve to the water tank. The spigot has been shortened from 35mm to 30 mm and provided with a "crown". The direction of the coil terminals is to the right.



New valve and gasket must be fitted as a pair. The new valve MUST not be fitted to the old gasket.



Moisten the valve spigot with water and use the minimum pressure when inserting the valve through the gasket. Use of excessive pressure could cause the gasket to be pushed into the tank.

The old valves will no longer be supplied as a spare part. The gasket (part No 39549700) for old valve is still available as a spare part. When replacing the old valve type with new type always remember to order new gasket (part No 39583700) simultaneously.

Identification note:

The new valve can easily be identified by the quick release pegs holding the coil assembly to the valve body. The coil terminals are also on the bottom of the coil instead of at the top as on the previous design. The new valve has a type reference **46.008.114** on its label.

TECHNICAL INFORMATION

TYPE NO IN/FB 5100	TYPE Instant / Freshbrew	T.I.-NO 02/01
------------------------------	------------------------------------	-------------------------

REASON

The previous design of valve was prone to leaking as lime scale deposits built up on the valve seat in hard water areas. The new design will reduce the effect of lime scaling and thereby improve field life before service is required.

Serviceable parts of new valve:

- Diaphragm
- 'O' Ring

To replace the diaphragm

1. Remove valve as described in the Service Manual.
2. Unclip the breather tube from the solenoid (Fig. 1).
3. Remove 4 plastic clips. (Fig. 1)

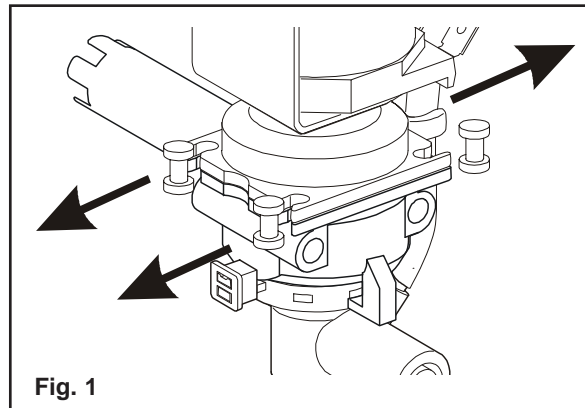


Fig. 1

4. Separate lower valve assembly from solenoid and remove diaphragm. (Fig 2)



Take care not to pull spindle from solenoid

5. Replace with new diaphragm.
6. Reassemble valve and clip breather tube back into position.

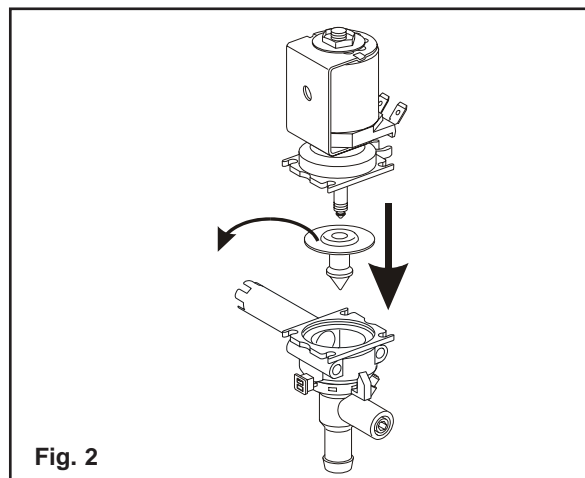


Fig. 2

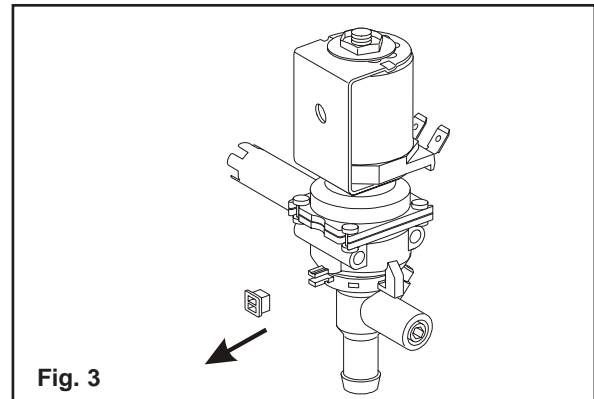
TECHNICAL INFORMATION

TYPE NO IN/FB 5100	TYPE Instant / Freshbrew	T.I.-NO 02/01
------------------------------	------------------------------------	-------------------------

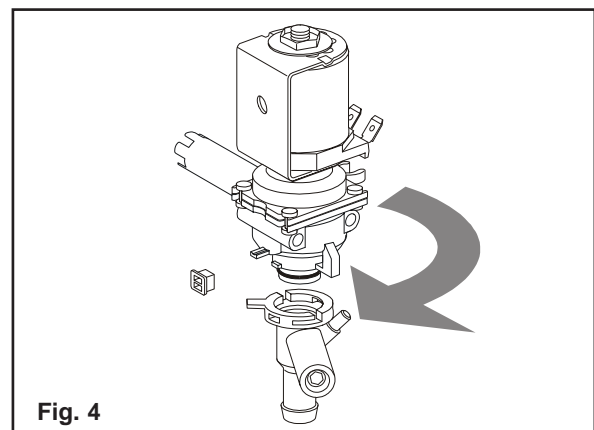
To replace 'O' Ring

The 'O' ring can be changed without removing the valve from the tank.

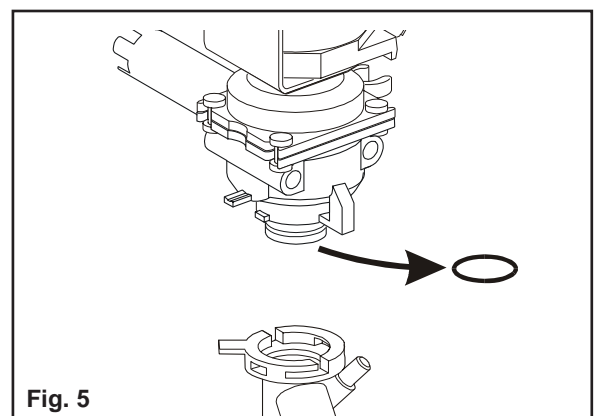
1. Take off locking clip (Fig. 3)



2. Rotate outlet assembly clockwise approx 45deg to clear location mouldings, and separate from upper mouldings. (Fig. 4)



3. Replace 'O' Ring. (Fig. 5)
4. Refit outlet assembly, Rotating anti-clockwise until it 'clicks' into its locked position.
5. Refit locking clip.



• CONTACT PERSON

Technical:
Bent Erik Truelsegaard

Spare Parts:
Customer Service