

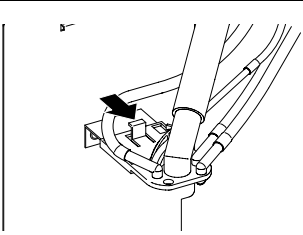
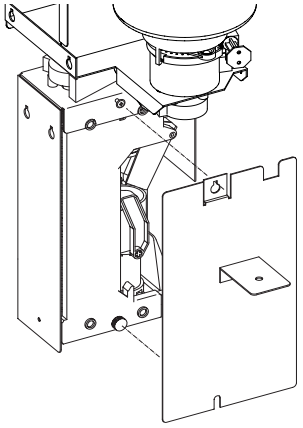
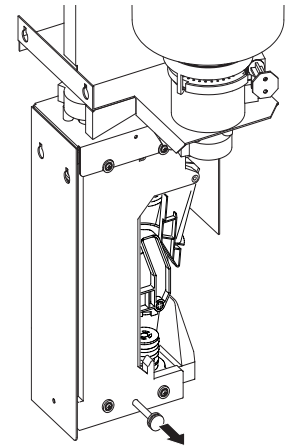
## Dismounting the espresso brewer

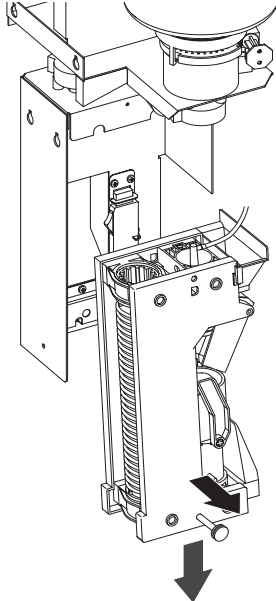
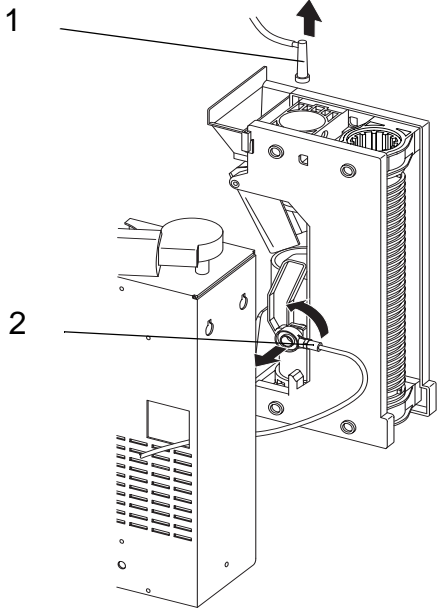
### Warnings

- Before any repair is carried out, the main plug must be withdrawn from the main supply!
- Only carry out this repair when the machine has cooled down!

### Procedure

Follow these steps to dismount the espresso brewer:

Step	Action	Illustration
1.	Remove the waste bucket.	
2.	Lift the release angle of the holder to remove the branch pipe.	
3.	Remove heat insulation cover.	
4.	Pull securing pin outwards.	

Step	Action	Illustration
5.	Release brewer.	
6.	<p>Disconnect coffee outlet tube (1) by lifting it upwards.</p> <p>Disconnect water outlet tube (2) from brewer by turning it anti-clockwise.</p> <p>NB. You must be careful how you disconnect it in order not to break the pin.</p>	
7.	Tilt brewer outwards and lift it out.	
8.	<p>Reinstall brewer into machine.</p> <p>Note: Remember to fasten securing pin.</p>	

<b>Step</b>	<b>Action</b>	<b>Illustration</b>
9.	<p>Note: If you cannot replace the brewer correctly after cleaning, this is probably because you have moved something during cleaning. In that case you need the special multifunctional tool to restore the situation.</p>	