

## TECHNICAL INFORMATION

TYPE NO <b>ES 5100</b>	TYPE <b>Espresso Machine</b>	T.I.-NO <b>ES.. 11/00</b>				
SERIAL NUMBERS AFFECTED <b>From machine no. 489.134</b>		ISSUED BY <b>Documentation/ Wittenborg Odense</b>				
SUBJECT <b>Modification kit</b>		ISSUED FOR (X): <table border="1" style="width: 100%; border-collapse: collapse;"> <tr> <td>Action</td> <td style="text-align: center;">X</td> </tr> <tr> <td>Information</td> <td style="text-align: center;">X</td> </tr> </table>	Action	X	Information	X
Action	X					
Information	X					

### REFERENCE

- Please refer to Technical Information ES No. 7.

### COMPONENTS CONCERNED

- Changed parts:
  - Modification kit part no. 75197800

### MODIFICATION:

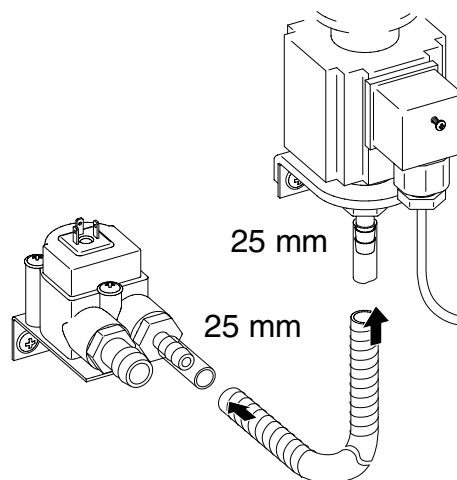
- The modification kit is now containing the following parts:
  - Arm part no. 39274500
  - Hose part no. 39496701
  - EPROM part no. 48001505
  - Reducing plug part no. 39583400
  - Outlet pipe for sugar part no. 39654100
  - 2 protective lists (new) part no. 39432607
  - 2 hose pieces (new) part no. 29559634
  - 1 steel plated coupling (new) part no. 39309305

### REASON:

- The material of the hose from the pump to the flowmeter has been changed into a softer material in order to reduce the vibrations in relation with water dosing. This should prevent that less espresso water than the actual setting is dosed.

### REPLACEABILITY

- If the pump is mounted with a brass coupling, it has to be replaced by the steel plated coupling mounted with hose piece:  
For replacement of new hose from pump to flowmeter:
  - cut old hose from flowmeter, leaving 25 mm of the hose to form coupling for new hose.
  - mount new hose on hose pieces fitted on the couplings.
- If the pump is mounted with a steel plated coupling:  
For replacement of hose from pump to flowmeter:
  - cut old hose, leaving 25 mm in both ends to form couplings for new hose.
  - mount new hose on the 25 mm parts of the old hose left on the couplings.



24.10.00 DATE :	Charlotte Schreiner PRODUCED BY :
24.10.00 DATE :	William Lisby CHECKED BY :