

C Dosing System

C.1 Disassemblies

C.1.1 Overview of Components of the Dosing System

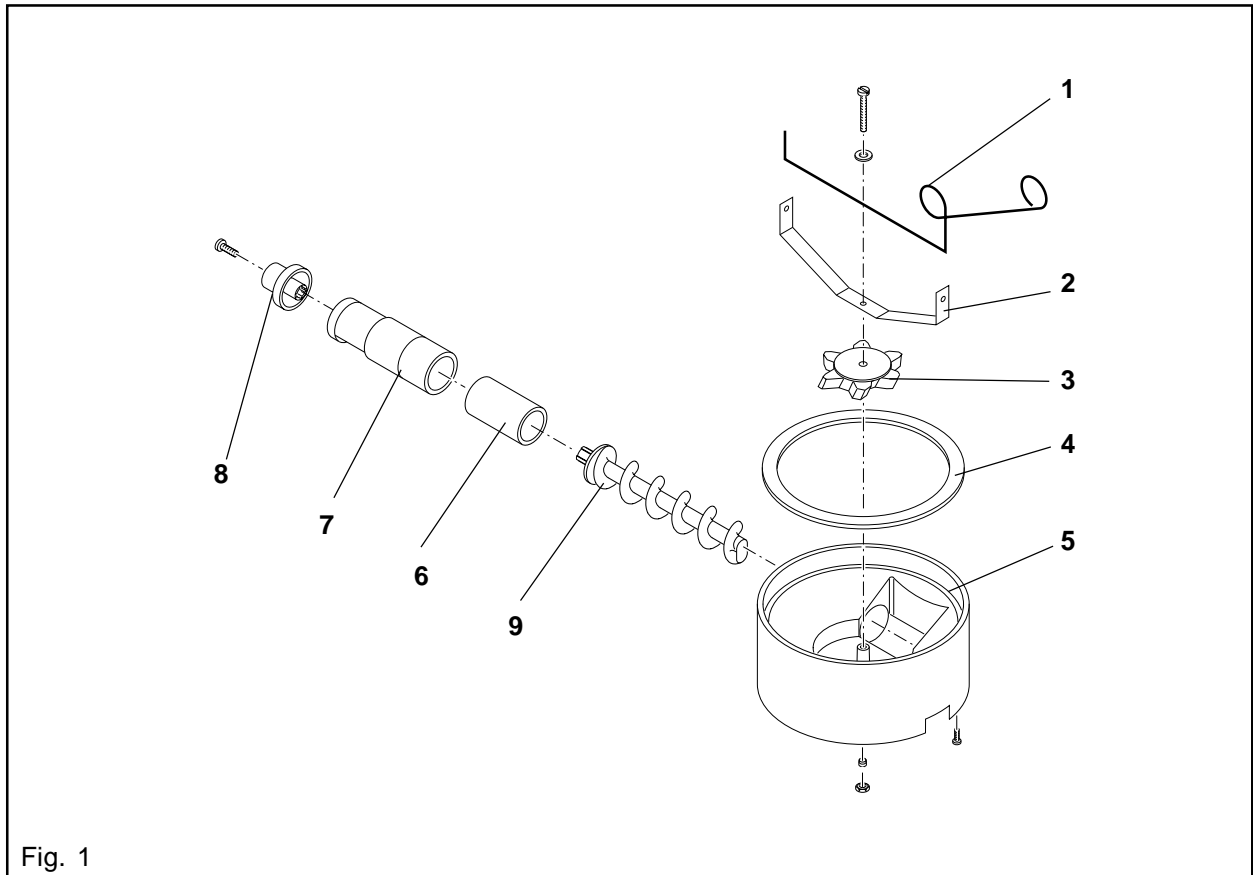


Fig. 1

Legend for Fig. 1:

- 1 Mixer wire
- 2 Mixer
- 3 Mixer wheel
- 4 Gasket
- 5 Product container base
- 6 Powder nozzle, stainless steel
- 7 Powder nozzle
- 8 Driver
- 9 Powder worm

CAUTION: Do not damage the mixer wire during dismounting.

C.1.2 Dismounting the Dosing System

CAUTION: The product container is made from glass. Improper handling can lead to injuries due to broken glass!

- Open the dispenser.
- Push the lock mechanism (2) on the container console down, then remove the product container (1) to the front and empty it. (Fig. 1)
- Place the container upside down. Remove residual coffee by turning the powder locking cap (5) and by knocking onto the base of the dosing system. (Fig. 2)
- Loosen the clamping ring on the handle (3). (Fig. 2)
- Carefully remove the dosing system (4). (Fig. 2)

