

Table of Contents

<i>Preventive Maintenance</i>	6
Preventive Maintenance Programme for the Service	6.1
Lubrication	6.1.1
Rinsing the Water Stop Valve	6.1.2

6 Preventive Maintenance

6.1 Preventive Maintenance Programme for the Service

Item	Action	Interval (months)					Interval (others)
		1	3	6	12	24	
1. Scraper arms (brewer)	lubricate						approx. every 50,000 deliveries
2. Water stop valve	rinse						after approx. 50,000 deliveries

- All items listed in the maintenance schedule must be carried out in the indicated intervals otherwise the guarantee will be null and void.
- Maintenance may only be carried out by trained personnel.
- For detailed instructions read the corresponding chapters in the operating instructions before carrying out the individual tasks.
- Before starting to maintain the dispenser switch it off with the main switch (1). (fig. 1)

CAUTION: **Opening the door interrupts the power supply to the brewer and the heating system.**

- Make sure all components are installed correctly and carry out a functional test after the maintenance process.

CAUTION: **Under all circumstances make sure the brewer is mounted correctly and completely.**



The right door can only be opened by the service technician.



6.1.1 Lubrication

- Remove the brewer unit (see chap. B.2)

CAUTION: Observe the safety instructions, especially those referring to the brewer and the actuator in chap. 5.B.

- Lubricate the moving parts of the scraper arms with Molykote Longtherm (fig. 1).

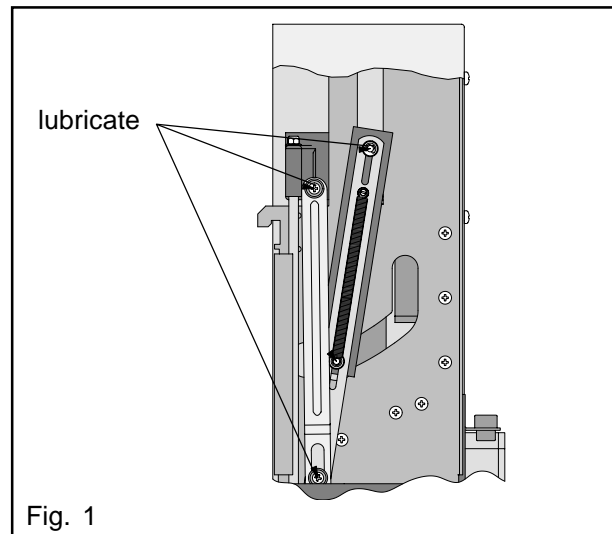


Fig. 1

6.1.2 Rinsing the Water Stop Valve

- The filter sieve of the water stop valve must be rinsed under running water after 50,000 deliveries (more frequently when the water is hard). (Replace it if necessary.)