

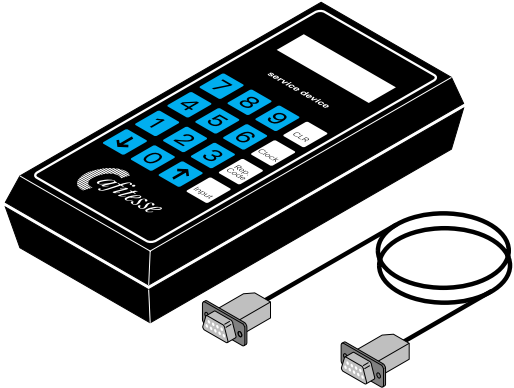
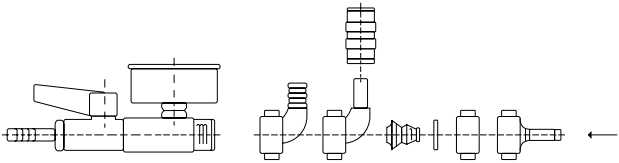
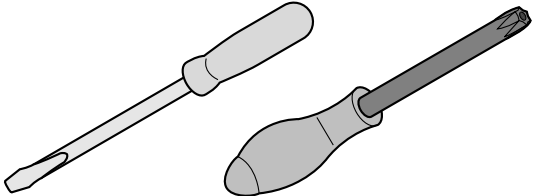
## ***Table of Contents***

<b><i>Installation / Putting into Operation</i></b>	<b>2</b>
<b><i>Installation Requirements</i></b>	<b>2.1</b>
Tools	2.1.1
Water Supply	2.1.2
Electrical Supply	2.1.3
Rating Plate	2.1.4
Space Requirements	2.1.5
<b><i>Installation / Putting the Dispenser into Operation</i></b>	<b>2.2</b>
<b><i>Checklist: Instructions for the Customer</i></b>	<b>2.3</b>
<b><i>Technical Data</i></b>	<b>2.4</b>

## 2 Installation / Putting into Operation

### 2.1 Installation Requirements

#### 2.1.1 Tools

Tool:	required for:	
<p>1. Service device (only DECS-group)</p> <p>Part number see spare parts list</p>	<p>Programming</p>	
<p>2. Pressure gauge</p>	<p>Measuring the water pressure</p>	
<p>3. Several screw drivers</p>		

### 2.1.2 Water Supply

Customer	Dispenser
<p><b>Recommendation:</b> Water supply line with stop valve and non-return valve.</p> <p>Supply system: 0,8 bar minimum water pressure (dynamic) 10 bar maximum water pressure (static)</p>	<p>Connection via special hose (length: 1 m) 3/4" connection piece Adapter is available</p>

**CAUTION:** Check the drinking water quality before the installation especially when installing a tank for manual filling. A drinking water filter should always be installed.

**CAUTION:** Safety precautions and local regulations must be observed.

**CAUTION:** When using new water pipes, flush them sufficiently before the installation. Local regulations must be observed when choosing supply lines. Only use neutral material with respect to taste.

### 2.1.3 Electrical Supply

Customer	Dispenser
<p>Socket with earthing connection at a height of approx. 1,5m</p> <p><b>Recommendation:</b> fault current safety switch</p> <p><b>Connection:</b> 230V AC +6%/-15%, 50Hz</p>	<p>Power supply cable length: 1,80 m.</p>

**CAUTION:** Safety precautions and local regulations must be observed.

### 2.1.4 Rating Plate

Legend for the rating plate (example) (Fig. 1):

1 Indication of the type

2 Part number

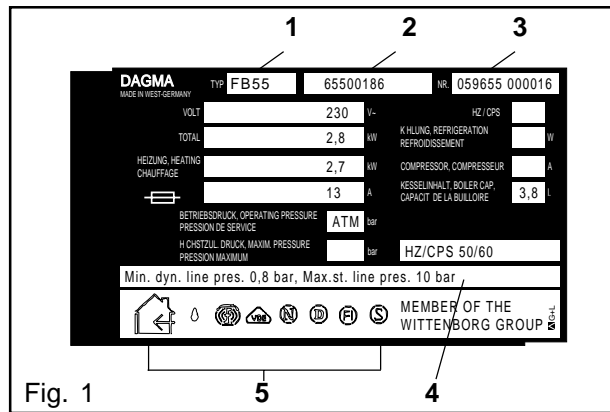
3 Manufacturer's number

0596 55 000016

consecutive number  
internal index number  
production date

4 Water pressure indications

5 Test label



### Electrical connection values

The electrical data depend on the heating power and on the country specific version.

e.g.

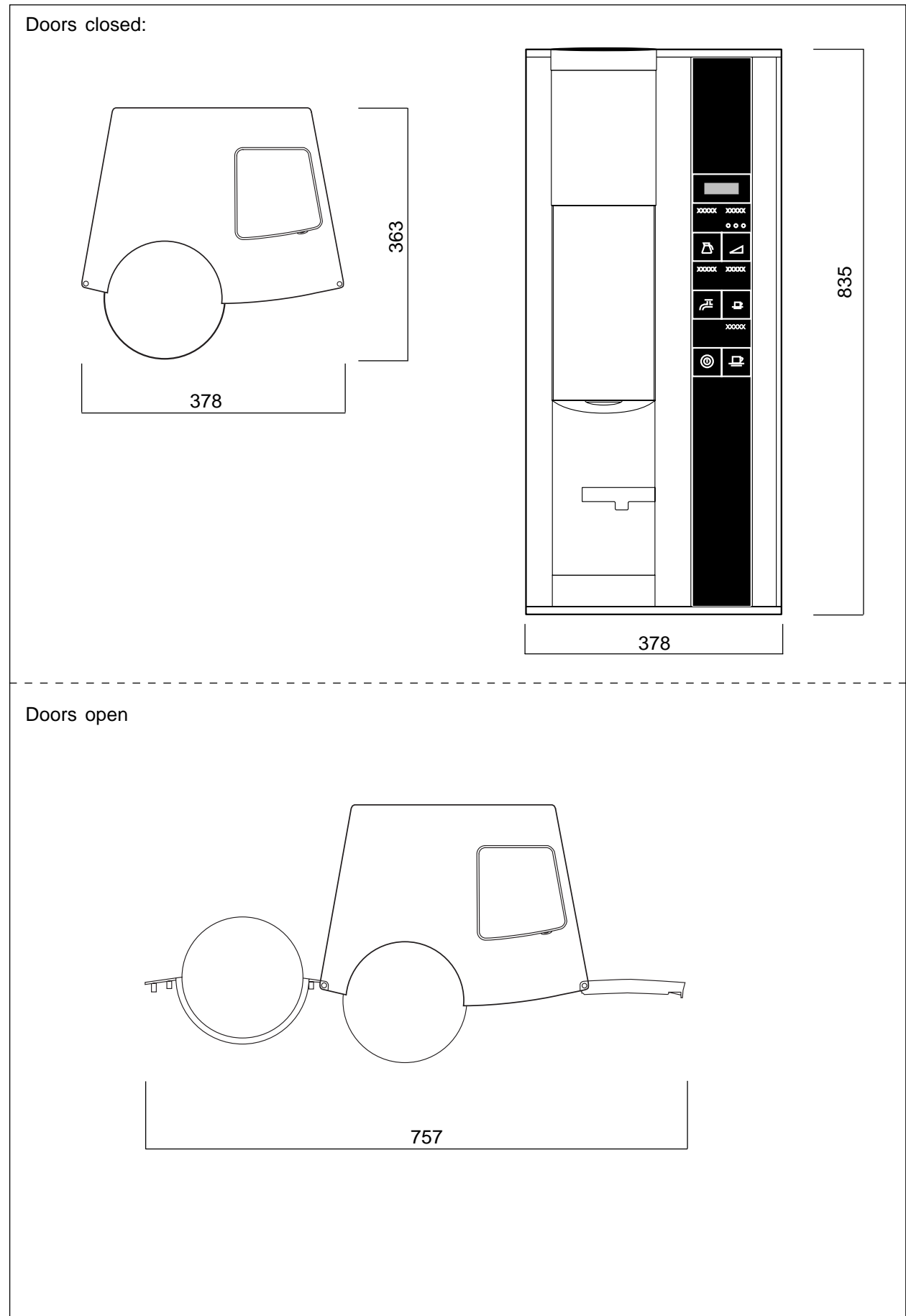
Rated voltage: 230 V AC / 50 Hz / 60 Hz  
 Heating power: 2700 W  
 Total power: 2800 W  
 Fuse rating: 13 A

or

Rated voltage: 230 V AC / 50 Hz / 60 Hz  
 Heating power: 2000 W  
 Total power: 2100 W  
 Fuse rating: 10 A

**CAUTION:** Valid is the information on the rating plate of the dispenser.

### 2.1.5 Space Requirements



## 2.2 Installation/Putting the Dispenser into Operation

- 1 Measure the water pressure if it is not known.

**WARNING:** The socket must be equipped with an earthed connector that corresponds to the regulations. Observe local regulations. If an earthed connector is not connected the housing of the dispenser carries an electrical voltage (mains filter)! The mains voltage must be 230 V.



The dispenser is delivered with a power supply plug for Germany. If necessary use an adapter or replace the power supply cable when installing the dispenser in another country.

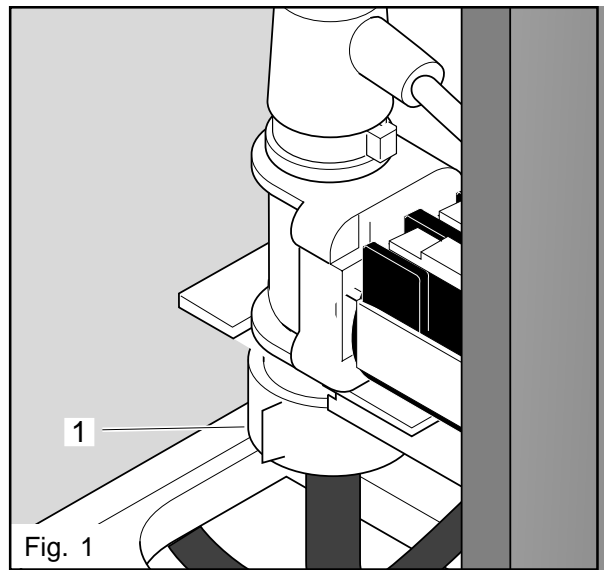


Fig. 1

- 1 Unpack the dispenser and check it for damage.
- 1 Open the doors.
- 1 Remove the product container.
- 1 Remove filter paper from the brewer.
- 1 If necessary remove any transport plates.
- 1 Remove the dosing system.
- 1 Connect the water supply hose (fig. 1):
  - Close the doors.
  - Place the dispenser onto its side or onto its back (depending on whether the water supply hose is connected from the side or from the rear to the water supply connection).
  - Connect the water hose to the dispenser (1) and to the water supply connection.
  - Put the dispenser onto its feet and open the door.
- 1 Adjust the horizontal and vertical position of the dispenser by means of the base setting screws (fig. 2).
- 1 Install the labels which are specific to the country (see chap. D.2).

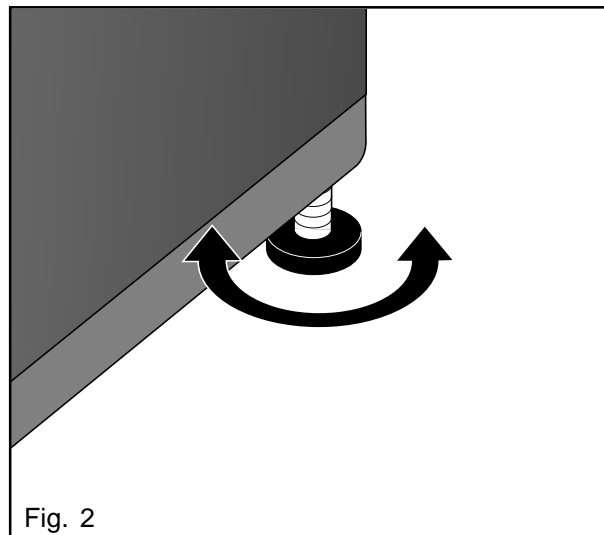


Fig. 2

- 1 Unpack the product container, fill it and install it in the dispenser (see operating instructions).
- 1 Unpack the coffee grounds container and insert a bag.



Make sure that the bag is inserted correctly in the clamp plates of the coffee grounds container.

- 1 Hand over the operating instructions to the customer.
- 1 Hand the operating instructions to the customer.
- 1 Open the stop valve in the water supply line.
- 1 Connect the power supply plug.
- 1 Switch the dispenser on at the main switch (3) (fig. 3).
- 1 Check the adjustment of the potentiometers for the sensors.
- 1 Check the manufacturer's settings and program the dispenser according to the requirements of the customer (see chap. 4).
- 1 For programming with the service device (see chap. 4):
  - carry out the calibration of the brewer and hot water valve
  - carry out the calibration of the product quantity (see chap. 3).
- 1 Check all safety elements:
  - open the door - no delivery possible
  - close the door - delivery possible
  - check the water level sensor in the drip tray.
- 1 Make sure that there are no leaks.
- 1 Check the function of the dispenser (see chap. 4)
- 1 Install the price labels for the payment system if necessary.
- 1 Rinse the dispenser (see chap. operating instructions).

**CAUTION:** For safety reasons we strongly recommend to install a water stop valve.



Fig. 3

## Measuring the water pressure

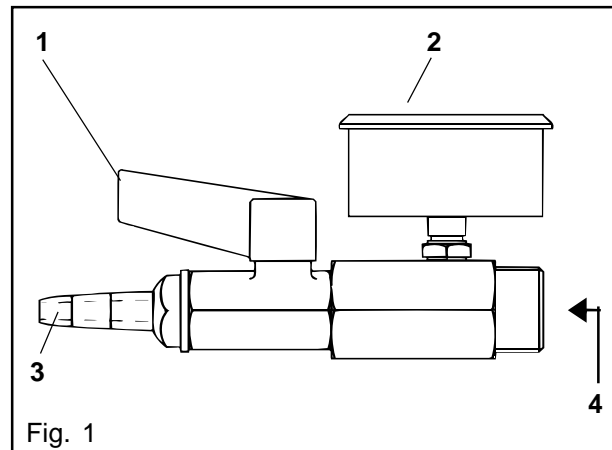
Tool: Measuring device with connection pieces (part no. 35034000), hose (min. internal diameter 9.3 mm)

1. Connect the connection hose (4) to the measuring device and to the water supply (fig. 1).
2. Close the cock (1) of the measuring device and fully open the stop valve in the water supply line.
3. Hold the outlet nipple (3) over a bucket, open the cock (1) and read off the dynamic pressure on the gauge (2) (fig. 1).



The outlet nipple (3) can be extended by a piece of hose (min. internal diameter 9.3 mm) (fig. 1).

4. Close the cock (1) and read off the static pressure at the gauge (2) (fig. 1).
5. Close the stop valve in the water supply line and remove the measuring device (fig. 1).



Legend for Fig. 1:

- |   |                               |
|---|-------------------------------|
| 1 | Cock                          |
| 2 | Pressure gauge                |
| 3 | Outlet nipple                 |
| 4 | Connection hose of the device |

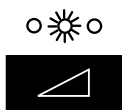


## Switching the dispenser on

- 1 Open the water cock.
- 1 Plug in the power supply plug.
- 1 Open the door.
- 1 Switch on the main switch (1). (fig. 1)
- 1 Close the door.
- 1 Wait, until the boiler is filled.
- 1 Open the door.
- 1 Rinse the dispenser (when using it for the first time). (see operating instructions)
- 1 Close the door.

Depending on its starting position the brewer runs through a brewing cycle until it reaches its starting position.

The display shows "LO" until the water has been heated. Beverage delivery is blocked.



The dispenser is ready for operation as soon as the LED shines and "LO" is no longer displayed.



Fig. 1

## **2.3 Checklist: Instructions for the Customer**

- 1 Please inform the user of the dispenser about the items mentioned below.
  
- 1 Providing detailed information on the dispenser for the customer essentially contributes to a faultfree operation of the dispenser.
  - safety
  - functioning of the dispenser and its components
  - HACCP, hygiene and product storage
  - cleaning procedures
  - programming for the customer
  - service procedures
  
- 1 List of items that are delivered together with the dispenser:
  - operating instructions
  - quick reference card
  - cleaning agent
  - various parts for installing the dispenser

## 2.4 Technical Data

<b>Dimensions of the packing:</b>	Height:	920 mm
	Width:	400 mm
	Depth:	400 mm
<b>Dimensions:</b>	Height:	850 mm
	Width:	380 mm
	Depth:	360 mm
	Distance from a wall:	40 mm (without wall spacer)
<b>Weight:</b>	approx. 30 kg (empty)	
<b>Installation requirements:</b>	Up to 2000 m above MSL, when using the dispenser in greater heights it must be changed over by the service.	
<b>Environmental requirements:</b>	The dispenser may only be used indoors (IP 20).	
<b>Storing temperature:</b>	-20 °C to 70 °C	
<b>Ambient temperature:</b>	0 °C to 35 °C	
<b>Relative humidity:</b>	max. 80 % RH	
<b>Capacity:</b>	- drip tray:	approx. 2.0 l
	- coffee grounds container:	approx. 5.0 l
	- product container:	approx. 1.5 kg (approx. 160 portions per filling, depends on portion size and type of coffee)
	Max. cup height:	130 mm
<b>Capacity:</b>	3.8 l	
<b>Heating power standard:</b>	2.7 kW / 230 V (Europe)	
optional (for a max. load of 10A):	2 kW / 230 V	
<b>Outlet valves:</b>	solenoid valve, 24 V DC - NW 8	
<b>Inlet valve:</b>	solenoid valve 24 V DC	
<b>Boil over sensor:</b>		
<b>Triggering temperature:</b>	88 °C ± 3 K	
<b>Boiler temperature sensor:</b>		
<b>manufacturer's setting:</b>	96 °C ± 1.5 K (NTC)	
<b>Dry running protection</b>		
<b>Triggering temperature:</b>	132 °C - 148 °C	

The dispenser is marked with the CE label. (Directive about electrical equipment of low voltage, directive about electromagnetic compatibility)  
Subject to changes!

Different adjustments for individual customers were not considered.