

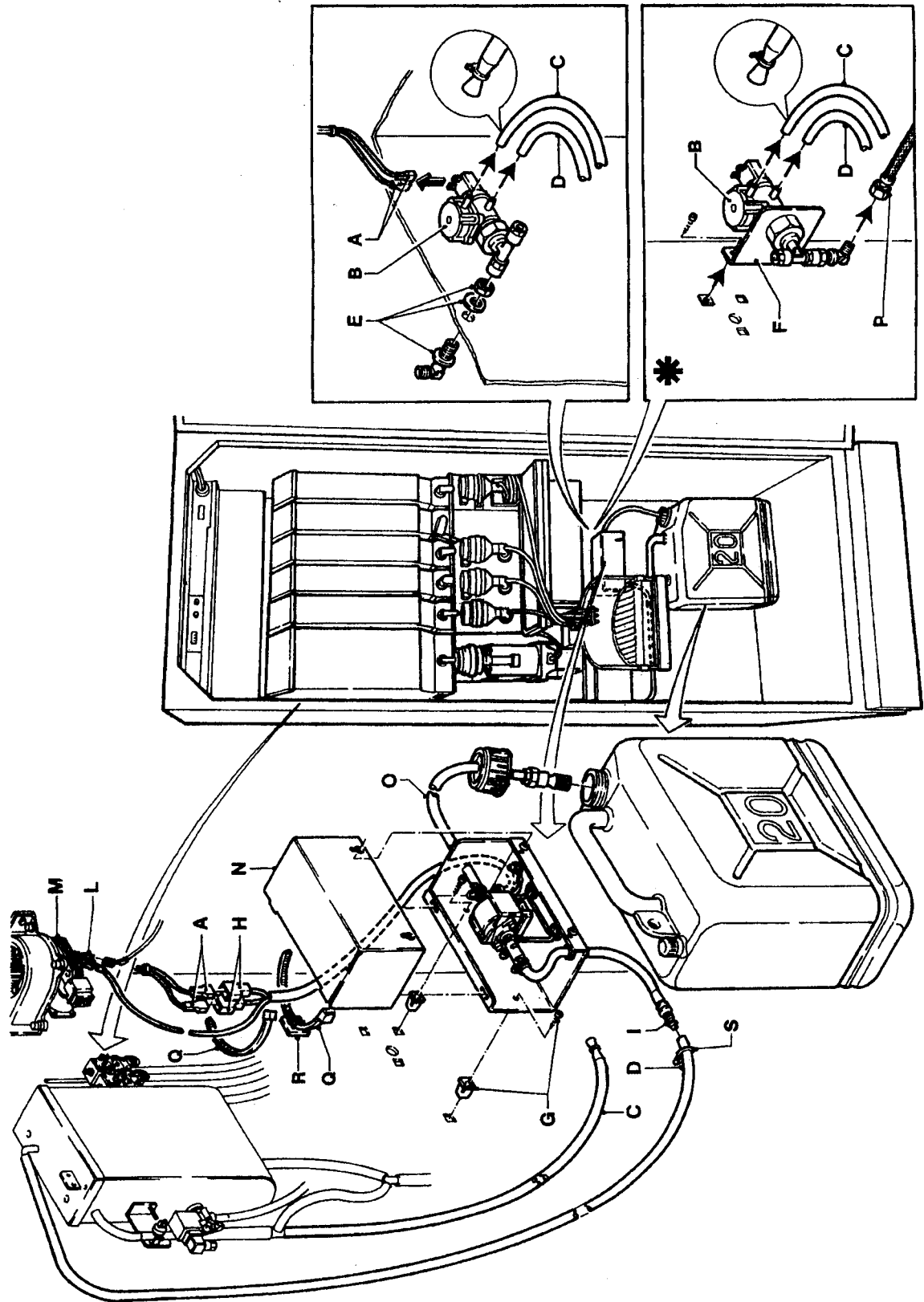
LA NECTA VENDING SOLUTIONS S.P.A. SI RISERVA A TERMINI DI LEGGE LA PROPRIETÀ DEL PRESENTE DISEGNO CON DIVIETO DI RIPRODURLO O DIVULGARLO SENZA SUA PREVIA AUTORIZZAZIONE.
 NECTA VENDING SOLUTIONS S.P.A. RESERVES THE RIGHT OF ABSOLUTE OWNERSHIP OF THIS DESIGN. ANY REPRODUCTION OR DISCLOSURE OF THE DESIGN WITHOUT PREVIOUS AUTHORIZATION IS STRICTLY FORBIDDEN.



ISTR. DI MONT. KIT AUTOALIM. PER SPAZIO "FRESH-BREW"
 MOUNTING INSTR. FOR SELF-FEEDING KIT SPAZIO "FRESH-BREW"
 INSTR. DE MONT. KIT D'AUTOALIM. POUR SPAZIO "FRESH-BREW"
 MONTAGEANL. DES SELBSTSPEISUNGSKIT F. SPAZIO "FRESH-BREW"
 INSTR. DE MONT. DEL KIT AUTOALIM. PARA SPAZIO "FRESH-BREW"

CODICE - CODE
599597400
 COMPILATO - FILLED OUT
 MIRRI

FOGLIO - SHEET
1/15
 DATA - DATE
 20-11-98



DATA - DATE
 AVANZAMENTO - FEED
 FIRMA - SIGNATURE

Fig. - Abb. 1

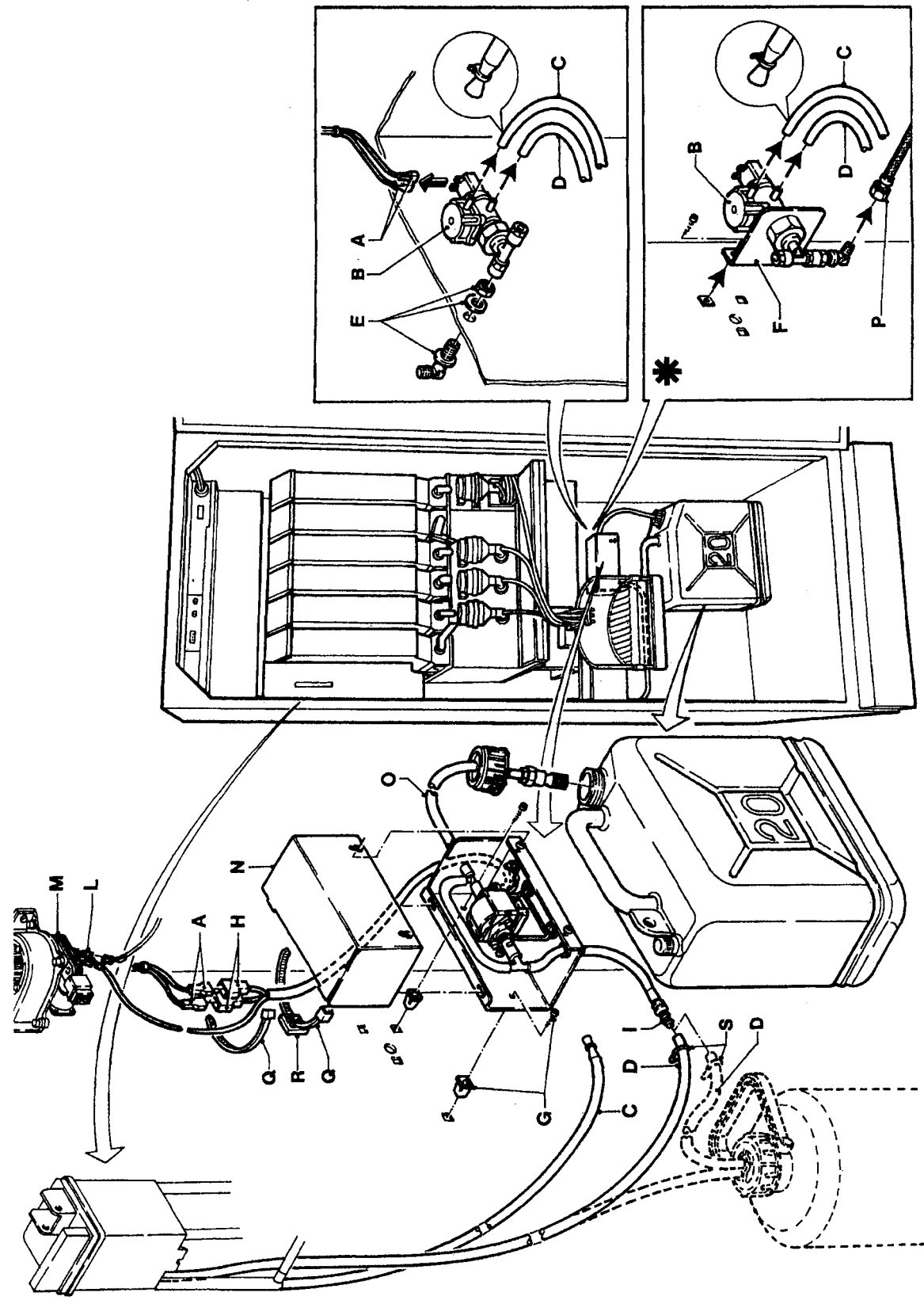
LA NECTA VENDING SOLUTIONS S.P.A. SI RISERVA A TERMINI DI LEGGE LA PROPRIETÀ DEL PRESENTE DISEGNO CON DIVIETO DI RIPRODURLO O DIVULGARLO SENZA SUA PREVIA AUTORIZZAZIONE.
 NECTA VENDING SOLUTIONS S.P.A. RESERVES THE RIGHT OF ABSOLUTE OWNERSHIP OF THIS DESIGN. ANY REPRODUCTION OR DISCLOSURE OF THE DESIGN WITHOUT PREVIOUS AUTHORIZATION IS STRICTLY FORBIDDEN.



ISTR. DI MONT. KIT AUTOALIM. PER SPAZIO "INSTANT"
 MOUNTING INSTR. FOR SELF-FEEDING KIT SPAZIO "INSTANT"
 INSTR. DE MONT. KIT D'AUTOALIM. POUR SPAZIO "INSTANT"
 MONTAGEANL. DES SELBSTSPEISUNGSKIT F. SPAZIO "INSTANT"
 INSTR. DE MONT. DEL KIT AUTOALIM. PARA SPAZIO "INSTANT"

CODICE - CODE
599597400
 COMPILATO - FILLED OUT
 MIRRI

FOGLIO - SHEET
2/15
 DATA - DATE
 20-11-98



DATA - DATE
 AVANZAMENTO - FEED
 FIRMA - SIGNATURE

Fig. - Abb. 2

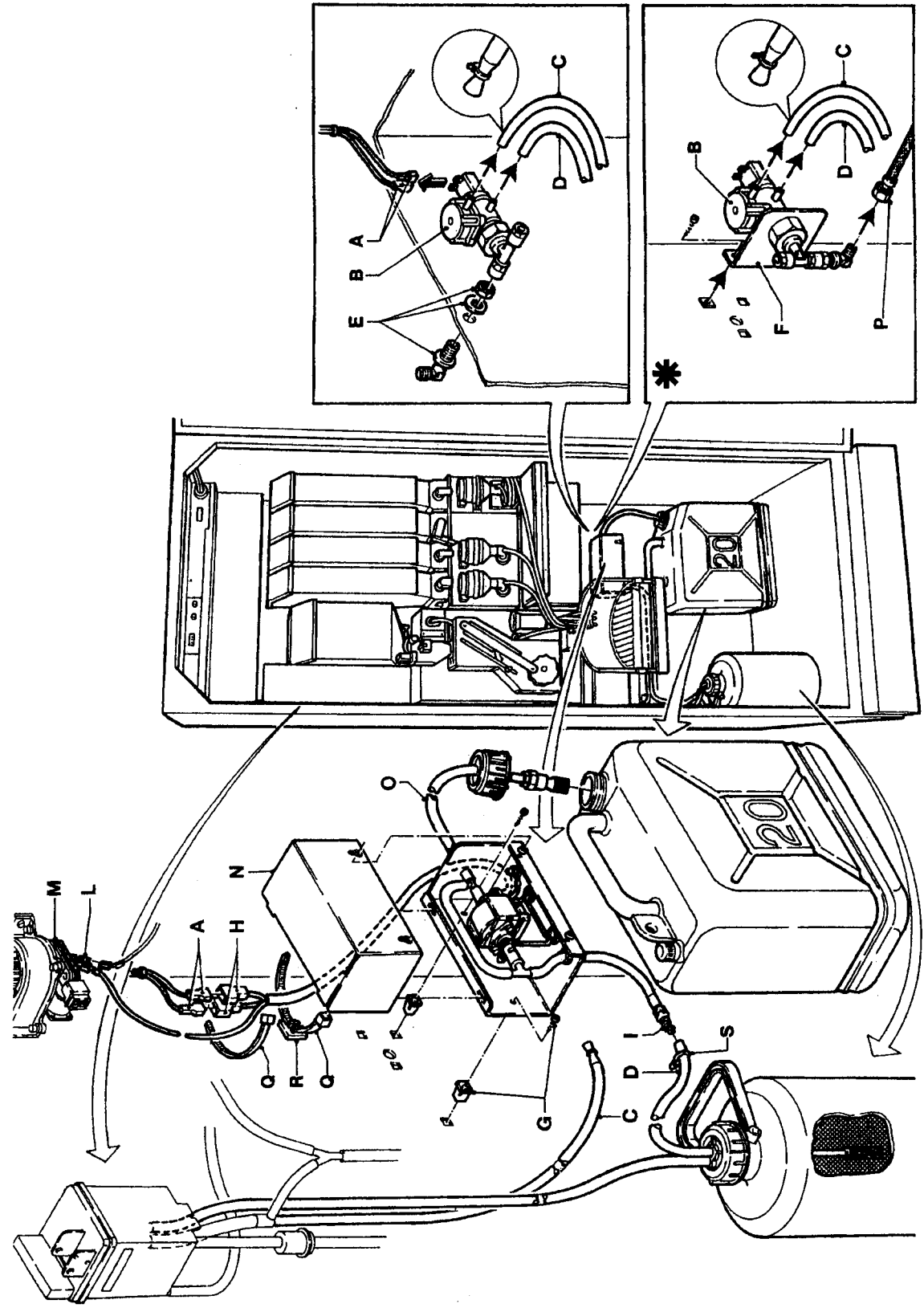
LA NECTA VENDING SOLUTIONS S.P.A. SI RISERVA A TERMINI DI LEGGE LA PROPRIETÀ DEL PRESENTE DISEGNO CON DIVIETO DI RIPRODURLO O DIVULGARLO SENZA SUA PREVIA AUTORIZZAZIONE.
 NECTA VENDING SOLUTIONS S.P.A. RESERVES THE RIGHT OF ABSOLUTE OWNERSHIP OF THIS DESIGN. ANY REPRODUCTION OR DISCLOSURE OF THE DESIGN WITHOUT PREVIOUS AUTHORIZATION IS STRICTLY FORBIDDEN.



ISTR. DI MONT. KIT AUTOALIM. PER SPAZIO "ESPRESSO"
 MOUNTING INSTR. FOR SELF-FEEDING KIT SPAZIO "ESPRESSO"
 INSTR. DE MONT. KIT D'AUTOALIM. POUR SPAZIO "ESPRESSO"
 MONTAGEANL. DES SELBSTSPEISUNGSKIT F. SPAZIO "ESPRESSO"
 INSTR. DE MONT. DEL KIT AUTOALIM. PARA SPAZIO "ESPRESSO"

CODICE - CODE
599597400
 COMPILATO - FILLED OUT
 MIRRI

FOGLIO - SHEET
3/15
 DATA - DATE
 20-11-98



DATA - DATE
 AVANZAMENTO - FEED
 FIRMA - SIGNATURE

Fig. - Abb. 3

LA NECTA VENDING SOLUTIONS S.P.A. SI RISERVA A TERMINI DI LEGGE LA PROPRIETÀ DEL PRESENTE DISEGNO CON DIVIETO DI RIPRODURLO O DIVULGARLO SENZA SUA PREVIA AUTORIZZAZIONE.
 NECTA VENDING SOLUTIONS S.P.A. RESERVES THE RIGHT OF ABSOLUTE OWNERSHIP OF THIS DESIGN. ANY REPRODUCTION OR DISCLOSURE OF THE DESIGN WITHOUT PREVIOUS AUTHORIZATION IS STRICTLY FORBIDDEN.



MOUNTING INSTRUCTIONS - SELF-FEEDING KIT FOR "SPAZIO" - ESPRESSO, INSTANT, FRESH BREW VERS.

CODICE - CODE
599597400

FOGLIO - SHEET
5/15

ENGLISH

COMPILATO - FILLED OUT
 MIRRI

CONTROLLATO - TESTED
 ROTA

DATA - DATE
 20-11-98

1. Turn off and unplug the unit from the electrical supply, and turn off the water supply to it.
2. Remove the fastons **(A)** from the water inlet valve **(B)**.
3. Remove the two silicone tubes **(C-D)** from the water inlet valve **(B)**.
The silicone tube **(C)** must be closed using the pinching band found in the kit.
4. Dismount the water valve **(B)**, removing the water inlet elbow **(E)** also.
For models with Everpure filter dismount the water valve **(F)** and disconnect the tube from the water valve support **(F)** and remove the tube coming from the Everpure filter **(P)**.
5. Install the pump support using the nutscrews and screws **(G)** found in the kit (use the holes shown in the figure for mounting the support to the unit's back).
6. Connect the faston **(H)** of the pump's cable to the fastons of the general cable (use the connectors **A** previously removed from the water inlet valve). With the wire retaining strap **(Q)**, fix the Faston connection to the cable.
7. Disconnect the Faston of the earthing cable to the fan **(M)**. Connect in its place the feminine end of the earthing Faston **(L)** on the pump cable.
Connect the earthing cable Faston previously removed from the fan on the masculine terminal of the earthing Faston **(L)** of the pump cable.
8. Fix the wiring cable to the back of the unit, using the self-adhesive strips **(R)** and the wiring retaining strip **(Q)** from the kit.
9. Connect the tubing nipple **(I)** to tube **(D)**. After having cut it to about 220 mm, insert the tube clamp **(S)**.
ATTENTION! the connection should not be made to the Everpure filter.
10. Mount the pump cover **(N)**, using the two self-tapping screws and apply the self-adhesive label from the kit.
11. Before refilling the tank, it is necessary to sterilise the tank and the tank fishing tube using the same chlorine based detergent used for the mixer.
12. Refill the tank, and position it as shown in the figure and insert the suction tube **(O)**, being sure that it do not reach the bottom of the tank.
13. If the resin cleaner is mounted on the unit it must be filled with water before starting the installation.
14. Place the dip switch 4 in the expansion board to ON, and turn the unit on.
Carry out the installation by following the programming menu and pushing the switch corresponding to the function (see Use and Maintenance Manual).
Confirm that the pump suction line is correctly positioned and, if necessary, repeat the operation.
When the installation is completed, turn off the unit, and then restart it.
At start-up or after "Empty water restart", the unit may be out of service for several seconds due to lack of water.
In case this condition persists for more than 2 minutes after start, repeat the installation operation in the mode described.
15. ATTENTION
Every time it is necessary to remove the suction tube from the tank, turn the unit off and relieve the resin filter pressure (when applicable) as follows:
 - after closing the tube **(D)** with the tube clamp **(S)**, remove temporarily the tube **(D)** from the tubing nipple **(I)**;
 - place the tube **(D)** above the dry pitcher, open the tube clamp and let the water flow out;
 - before restarting the unit, reconnect the tube **(D)** to the tubing nipple **(I)**.

* Versions with Everpure filter

DATA - DATE

AVANZAMENTO - FEED

FIRMA - SIGNATURE